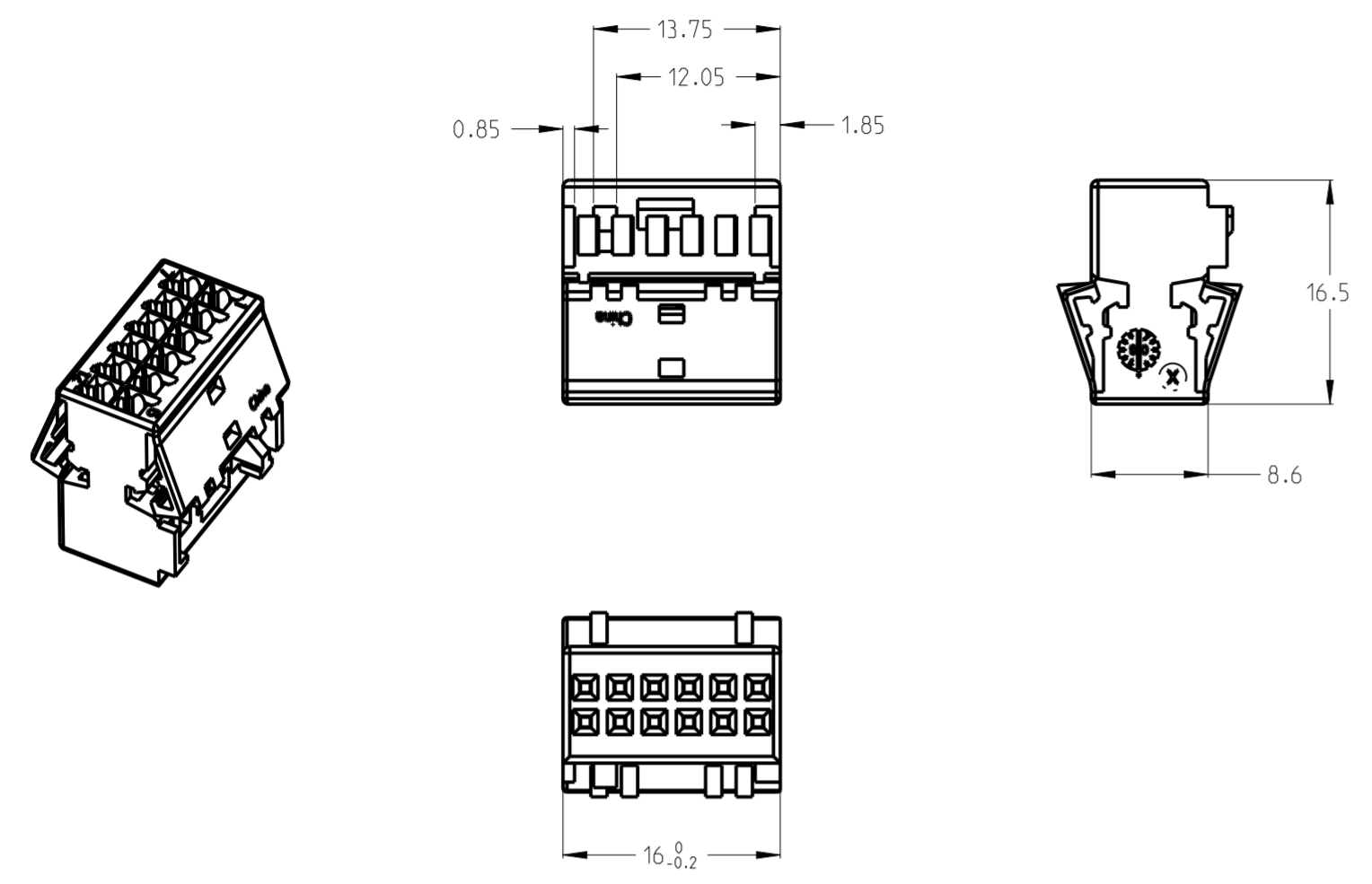


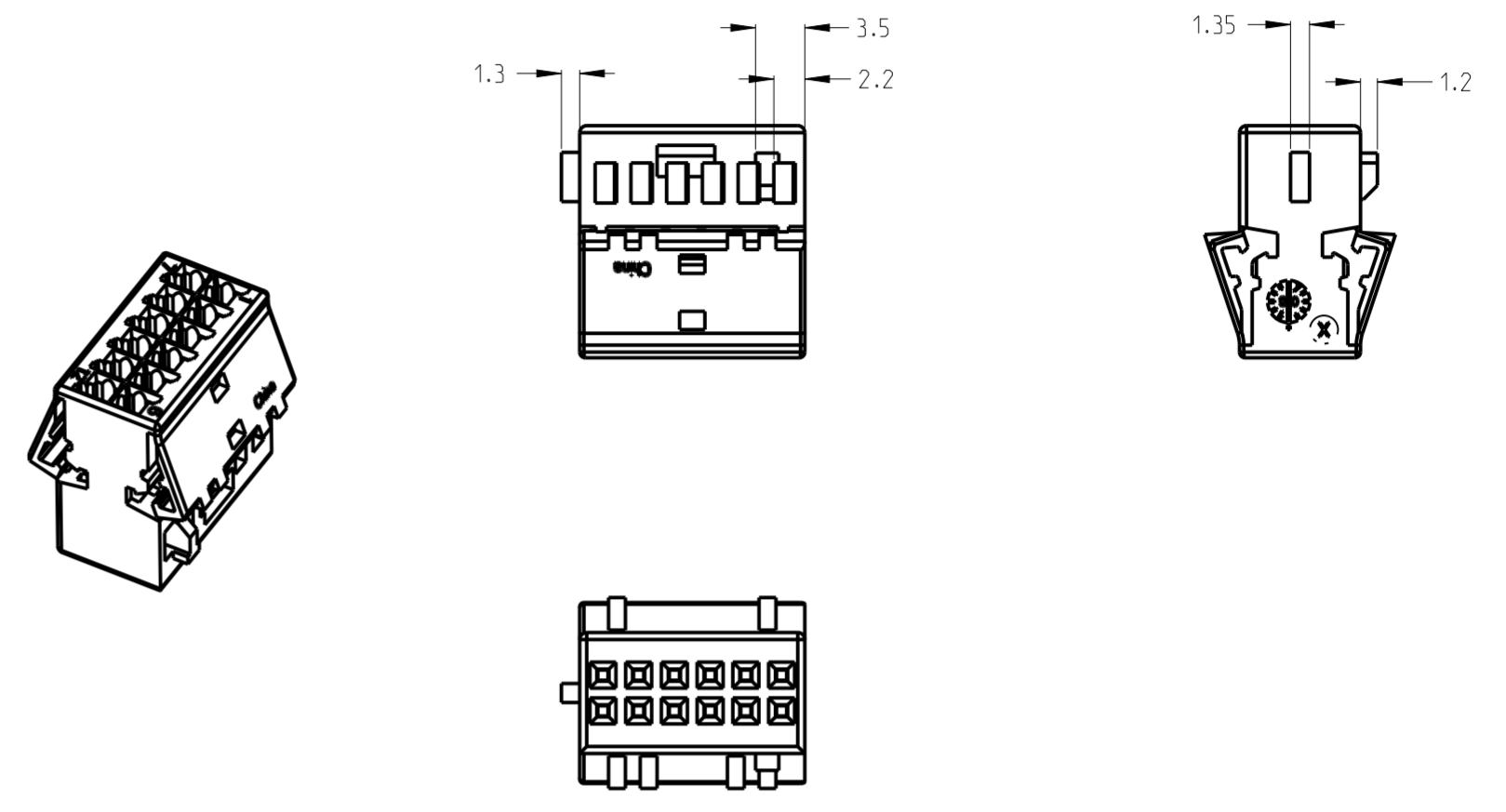
THIS DRAWING IS UNPUBLISHED. RELEASED FOR PUBLICATION
 © COPYRIGHT 2014 BY TE Connectivity ALL RIGHTS RESERVED.

REVISIONS					
P	LTR	DESCRIPTION	DATE	DWN	APVD
	A1	NEW PRODUCT RELEASED	23JUL2014	T.D	S.W

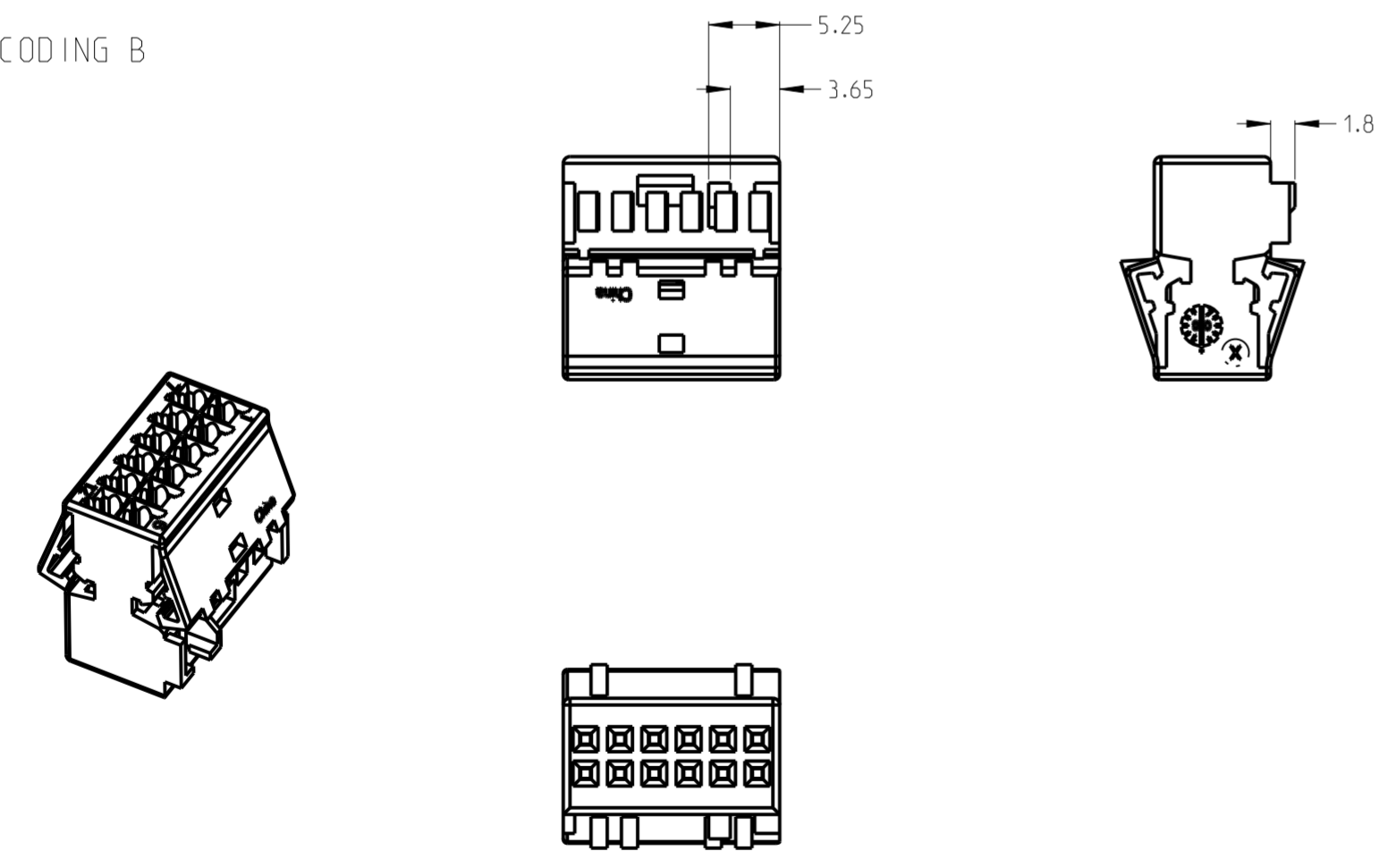
① CODING A



③ CODING C



② CODING B



NOTES

- ① DELIVERY CONDITION: LOOSE PEACE IN CARDBOX
HOUSING WITH SECONDARY LOCK IN PRE-LOCKED CONDITION
- ② SPARE PART KIT, COMPONENTS SEE TABLE,
SEALED IN NEUTRAL PLASTIC BAG WITH PART LABEL
- ③ USED WITH TE 0-2278599-1/-2/-3
- ④ SUITABLE TE MQS SOCKET CONTACT E.G. 928999, 963715

CODING	PART NO.	MATERIAL	COLOR	DESCRIPTION	QTY.	ITEM NO.
②	C	1-2278598-3	PBT-GF10	GREY RAL 7036	MQS HSG. 12POS.	1
	B	1-2278598-2	PBT-GF10	GREEN RAL 6018	MQS HSG. 12POS.	1
	A	1-2278598-1	PBT-GF10	BLUE RAL 5015	MQS HSG. 12POS.	1
①	C	2278598-3	PBT-GF10	GREY RAL 7036	MQS HSG. 12POS.	1
	B	2278598-2	PBT-GF10	GREEN RAL 6018	MQS HSG. 12POS.	1
	A	2278598-1	PBT-GF10	BLUE RAL 5015	MQS HSG. 12POS.	1

THIS DRAWING IS A CONTROLLED DOCUMENT.		DWN T.DONG 16JUL2014	STE TE Connectivity															
DIMENSIONS: mm		CHK H.YE 21JUL2014																
TOLERANCES UNLESS OTHERWISE SPECIFIED:		APVD S.WANG 23JUL2014	NAME -															
<table border="1"> <tr> <td>1 PLC</td> <td>±0.15</td> <td>ACC. TO</td> </tr> <tr> <td>2 PLC</td> <td>±0.2</td> <td>DIN 16901-140</td> </tr> <tr> <td>3 PLC</td> <td>±0.3</td> <td>CENTRIC TO NOMINAL DIM</td> </tr> <tr> <td>ANGLES</td> <td>±2°</td> <td></td> </tr> <tr> <td>FINISH</td> <td></td> <td></td> </tr> </table>		1 PLC	±0.15	ACC. TO	2 PLC	±0.2	DIN 16901-140	3 PLC	±0.3	CENTRIC TO NOMINAL DIM	ANGLES	±2°		FINISH			PRODUCT SPEC -	
1 PLC	±0.15	ACC. TO																
2 PLC	±0.2	DIN 16901-140																
3 PLC	±0.3	CENTRIC TO NOMINAL DIM																
ANGLES	±2°																	
FINISH																		
MATERIAL SEE TABLE		APPLICATION SPEC -	SIZE A2															
		WEIGHT 1.74g	CAGE CODE 00779	DRAWING NO. C-2278598														
		CUSTOMER DRAWING	SCALE 2:1	RESTRICTED TO -														
			SHEET 1	REV A1														

X-ON Electronics

Largest Supplier of Electrical and Electronic Components

Click to view similar products for [Automotive Connectors](#) category:

Click to view products by [TE Connectivity](#) manufacturer:

Other Similar products are found below :

[003-018-000](#) [60993906-B](#) [M902-2131](#) [M902-2161](#) [M902-2344](#) [72.330.1035.1](#) [73.353.4028.0](#) [F166900](#) [F358300-B](#) [F407400](#) [776880-1](#)
[827153-1](#) [8N1515-32-24P](#) [9-1326729-8](#) [925474-1](#) [928905-1](#) [964562-4](#) [968782-1](#) [98891-1012](#) [12004475-L](#) [12020308](#) [12041318-B](#)
[12052466](#) [12059716](#) [12064869](#) [12015909](#) [1-21030-1](#) [12041254](#) [12041318](#) [12047946-B](#) [12110546-B](#) [12131792](#) [12084688](#) [12092346](#)
[HD34-18-14PT](#) [HD46-24-23SN-059](#) [HDB36-24-16PN-059](#) [HDP26-24-9SE-L015](#) [12185280](#) [12185550](#) [12336-12](#) [12191172-B](#) [12S](#)
[13545280](#) [13577943](#) [13681974](#) [13737722-B](#) [13830674](#) [13832576](#) [13849772](#)