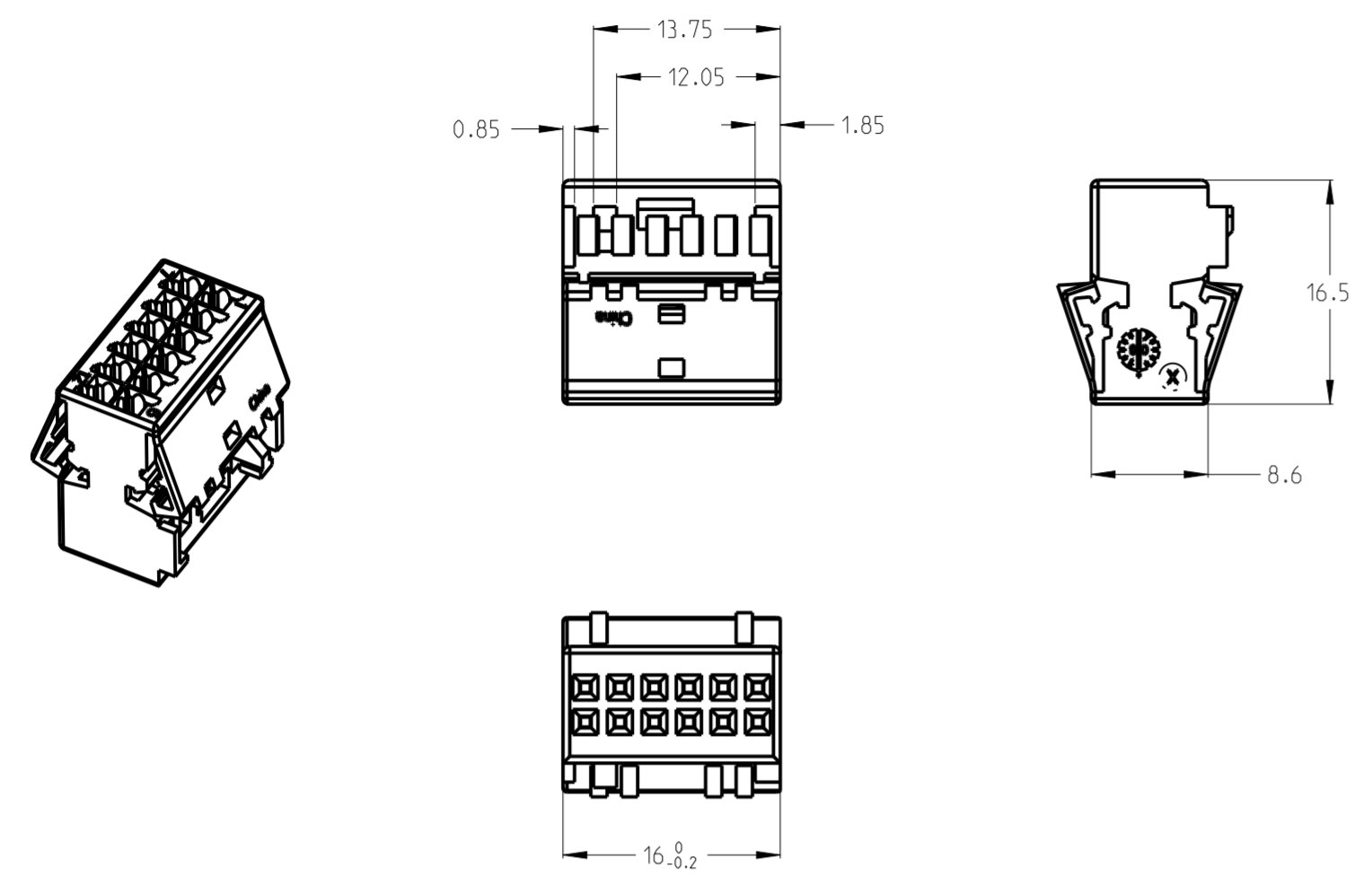


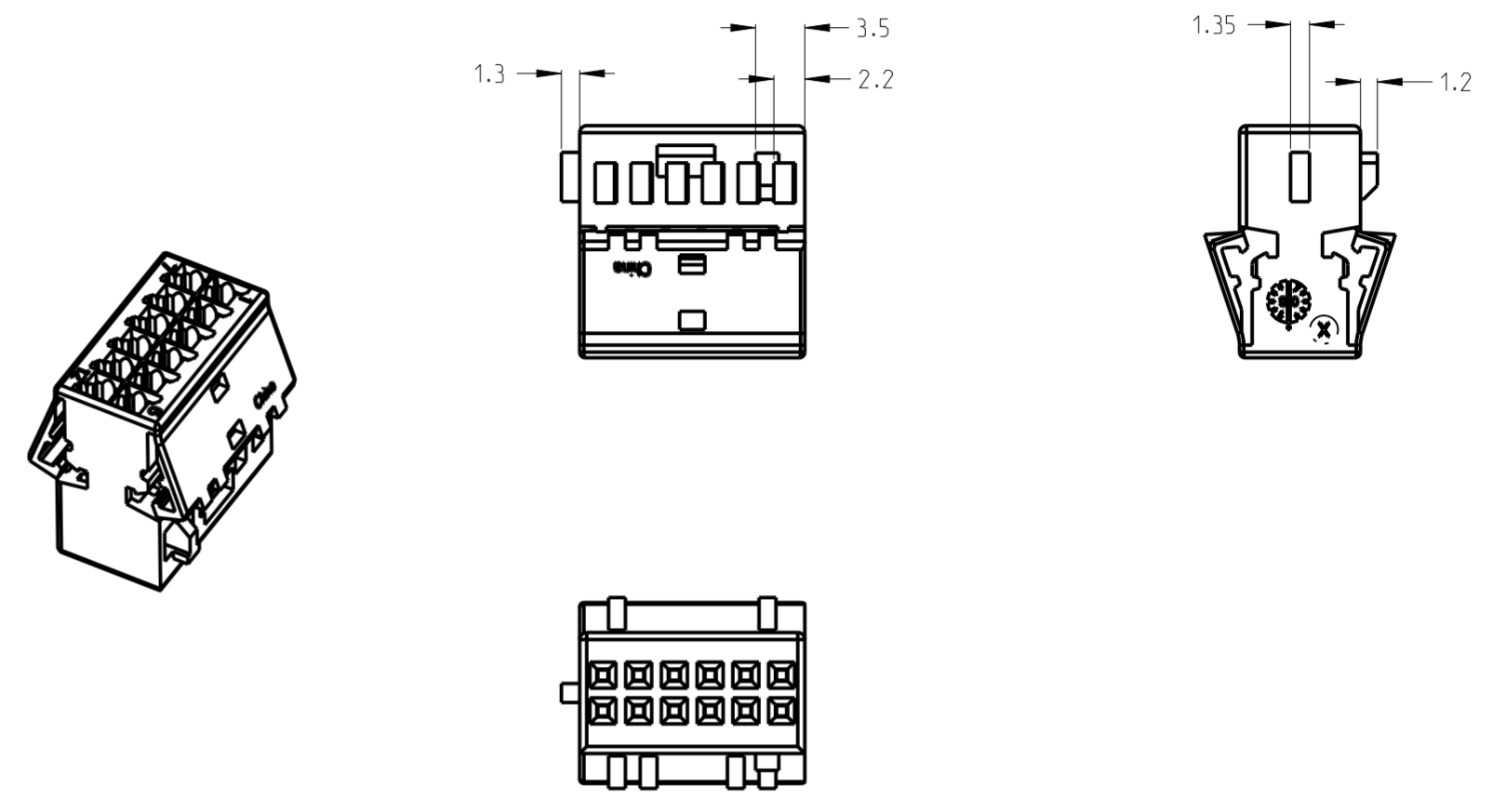
THIS DRAWING IS UNPUBLISHED. RELEASED FOR PUBLICATION
 © COPYRIGHT 2014 BY TE Connectivity ALL RIGHTS RESERVED.

REVISIONS					
P	LTR	DESCRIPTION	DATE	DWN	APVD
	A1	NEW PRODUCT RELEASED	23JUL2014	T.D	S.W

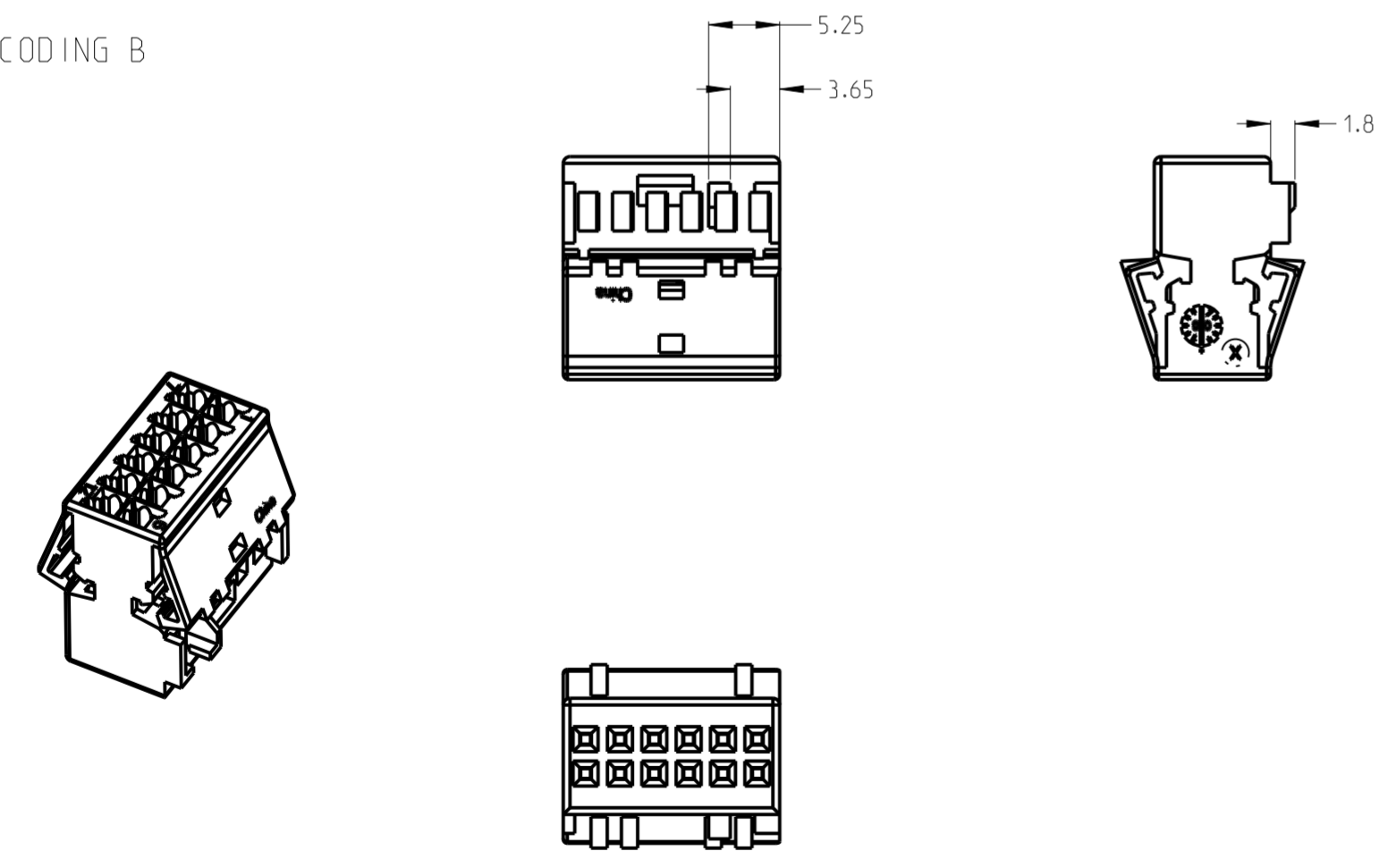
① CODING A



③ CODING C



② CODING B



NOTES

- ① DELIVERY CONDITION: LOOSE PEACE IN CARDBOX
HOUSING WITH SECONDARY LOCK IN PRE-LOCKED CONDITION
- ② SPARE PART KIT, COMPONENTS SEE TABLE,
SEALED IN NEUTRAL PLASTIC BAG WITH PART LABEL
- ③ USED WITH TE 0-2278599-1/-2/-3
- ④ SUITABLE TE MQS SOCKET CONTACT E.G. 928999, 963715

CODING	PART NO.	MATERIAL	COLOR	DESCRIPTION	QTY.	ITEM NO.
②	C	1-2278598-3	PBT-GF10	GREY RAL 7036	MQS HSG. 12POS.	3
	B	1-2278598-2	PBT-GF10	GREEN RAL 6018	MQS HSG. 12POS.	2
	A	1-2278598-1	PBT-GF10	BLUE RAL 5015	MQS HSG. 12POS.	1
①	C	2278598-3	PBT-GF10	GREY RAL 7036	MQS HSG. 12POS.	3
	B	2278598-2	PBT-GF10	GREEN RAL 6018	MQS HSG. 12POS.	2
	A	2278598-1	PBT-GF10	BLUE RAL 5015	MQS HSG. 12POS.	1

THIS DRAWING IS A CONTROLLED DOCUMENT.		DWN T.DONG 16JUL2014	TE Connectivity															
DIMENSIONS: mm		CHK H.YE 21JUL2014																
TOLERANCES UNLESS OTHERWISE SPECIFIED:		APVD S.WANG 23JUL2014	NAME -															
<table border="1"> <tr> <td>1 PLC</td> <td>±0.15</td> <td>ACC. TO</td> </tr> <tr> <td>2 PLC</td> <td>±0.2</td> <td>DIN 16901-140</td> </tr> <tr> <td>3 PLC</td> <td>±0.3</td> <td>CENTRIC TO NOMINAL DIM</td> </tr> <tr> <td>ANGLES</td> <td>±2°</td> <td></td> </tr> <tr> <td>FINISH</td> <td></td> <td></td> </tr> </table>		1 PLC	±0.15	ACC. TO	2 PLC	±0.2	DIN 16901-140	3 PLC	±0.3	CENTRIC TO NOMINAL DIM	ANGLES	±2°		FINISH			PRODUCT SPEC -	
1 PLC	±0.15	ACC. TO																
2 PLC	±0.2	DIN 16901-140																
3 PLC	±0.3	CENTRIC TO NOMINAL DIM																
ANGLES	±2°																	
FINISH																		
MATERIAL SEE TABLE		APPLICATION SPEC -	SIZE A2															
		WEIGHT 1.74g	CAGE CODE 00779	DRAWING NO. C-2278598														
		CUSTOMER DRAWING	SCALE 2:1	RESTRICTED TO -														
			SHEET 1	REV A1														

X-ON Electronics

Largest Supplier of Electrical and Electronic Components

Click to view similar products for [Headers & Wire Housings](#) category:

Click to view products by [TE Connectivity](#) manufacturer:

Other Similar products are found below :

[57102-F02-18ULF](#) [58102-G61-06LF](#) [582553-1](#) [0009485154](#) [009176003701906](#) [0050291907](#) [02.125.8002.8](#) [609-3404](#) [61062-3](#) [622-0430](#)
[622-3653LF](#) [63453-116](#) [636-1030](#) [636-1427](#) [636-3427](#) [636-4007](#) [641938-9](#) [65495-038](#) [65692-001LF](#) [65781-018](#) [65781-047](#) [65817-015LF](#)
[66207-023LF](#) [67016-026LF](#) [67095-007LF](#) [68631-112](#) [68645-018](#) [68648-049](#) [699319-000](#) [M90C108951C](#) [70.362.1628.0](#) [70-4210](#) [70-4226B](#)
[70-4853B](#) [707-5020](#) [707-5028](#) [71.350.2428.0](#) [71961-016LF](#) [733-134](#) [754199-000](#) [760-3052](#) [787-8014-00](#) [FCN-367T-T012/H](#)
[80.063.4001.1](#) [800-90-001-10-001000](#) [801-43-002-10-013000](#) [801-43-006-10-002000](#) [803-41-018-10-001000](#) [803-43-014-20-001000](#)
[803-43-024-10-001000](#)