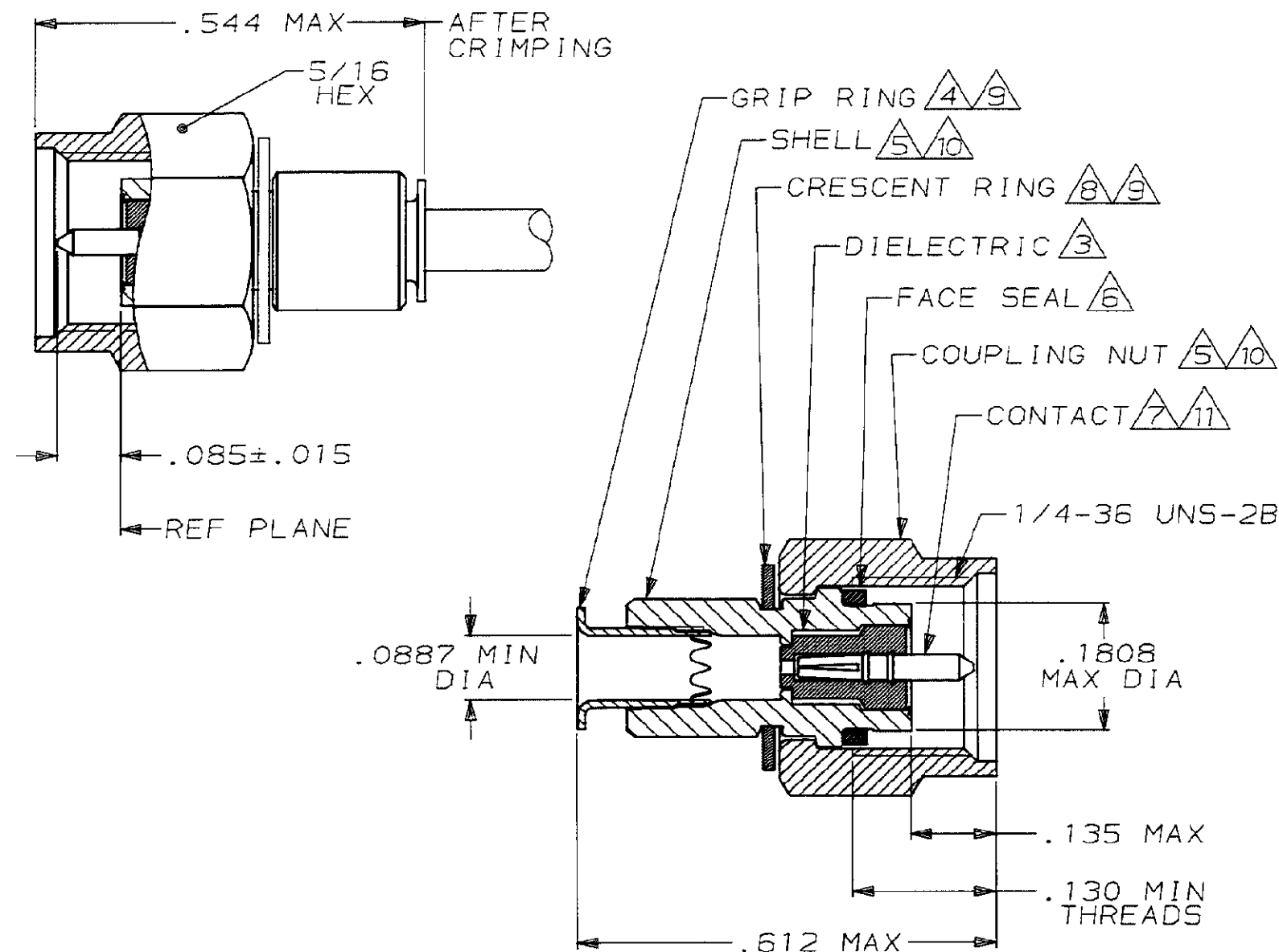


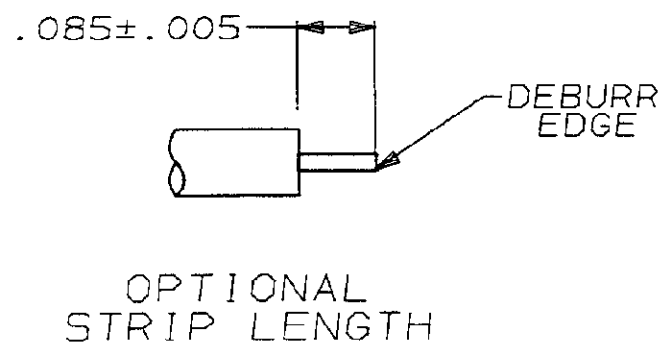
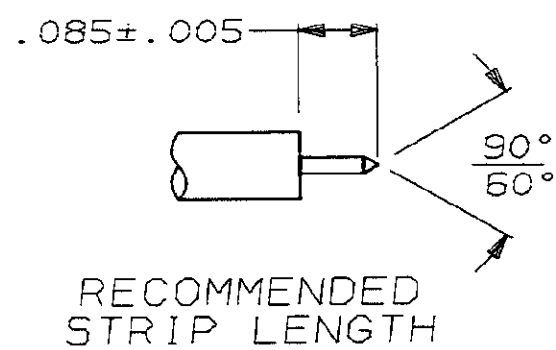
DRAWING MADE IN THIRD ANGLE PROJECTION

THIS DRAWING IS UNPUBLISHED. RELEASED FOR PUBLICATION
 © COPYRIGHT 19 BY AMP INCORPORATED, HARRISBURG, PA. ALL INTERNATIONAL RIGHTS RESERVED. AMP PRODUCTS MAY BE COVERED BY U.S. AND FOREIGN PATENTS AND/OR PATENTS PENDING.

LOC	DIST	P	F	ZONE	LTR	DESCRIPTION	DATE	APPROVED
AJ	16	✓	✓		G	REDWN & REV PER AJ-2377	5-19-87	MS/DH
		✓	✓		H	REV PER AJ-3182	7-13-88	MS
					J	REV PER AJ-3649	2-9-89	CB



1. FOR USE WITH: RG-405/U, .086 SEMI-RIGID CABLE
2. SEE I.S. 6788
3. PTFE PER MIL-P-19468
4. BRASS PER MIL-C-50
5. STAINLESS STEEL PER ASTM-A-582
6. SILICONE RUBBER PER ZZ-R-765
7. BERYLLIUM COPPER PER QQ-C-530
8. BERYLLIUM COPPER, ALLOY #25
9. NICKEL PL PER QQ-N-290
10. PASSIVATION PER QQ-P-35
11. GOLD PL PER MIL-G-45204
12. M39012/79B3103
13. .500 MIN LENGTH OF STRAIGHT CABLE REQUIRED TO APPLY THE CONNECTOR



		227868-1	
		PART NO	
UNLESS OTHERWISE SPECIFIED DIMENSIONS ARE IN INCHES TOLERANCES ON:		AMP AMP INCORPORATED Harrisburg, Pa. 17105	
2 PL DEC ± _____ 3 PL DEC ± _____ ANGLES * _____		NAME	
MATERIAL		DR M. SNEED 5-19-87 CHK D. HEIDE 5-19-87 APPD M. WALMSLEY 5-19-87 APPD M. SNEED 5-19-87	
3 THRU 8		PRODUCT SPEC 108-12055	
FINISH		APPLICATION SPEC	
9 THRU 11		WEIGHT .093 OZ	
		NAME PLUG, MIL-B, SERIES SMA	
		SIZE B	FSCM NO 00779
		DRAWING NO 227868-1	
		SCALE 5:1	SHEET 1 OF 1

X-ON Electronics

Largest Supplier of Electrical and Electronic Components

Click to view similar products for [RF Connectors / Coaxial Connectors](#) category:

Click to view products by [TE Connectivity](#) manufacturer:

Other Similar products are found below :

[8915-1511-000](#) [89674-0827](#) [6001-7071-019](#) [6002-7051-003](#) [6002-7551-202](#) [6059674-1](#) [619550-1](#) [630059-000](#) [M39030/3-01N](#) [6500-7071-046](#) [6769](#) [CX050L2AQ](#) [7002-1541-010](#) [7002-1542-011](#) [7004-1512-000](#) [7009-1511-004](#) [7010-1511-000](#) [7029-1511-060](#) [7101-1541-010](#) [7101-1571-002](#) [7105-1521-002](#) [7145-1521-002](#) [7203-1571-003](#) [7209-1511-011](#) [7210-1511-015](#) [7210-1511-019](#) [73137-5015](#) [73216-2241](#) [73404-2300](#) [7405-1521-005](#) [7405-1521-802](#) [8527](#) [8547](#) [FS11V](#) [877931](#) [9049-9513-000](#) [9074-9513-000](#) [9101-9573-002](#) [910A205F](#) [9130-9573-002](#) [PL11SC-026](#) [PL375-33](#) [PL40-5](#) [PL74C-221](#) [PL75MC-217](#) [PL803-7](#) [1200690078](#) [1-201144-1](#) [R107003010W](#) [R110A172100](#)