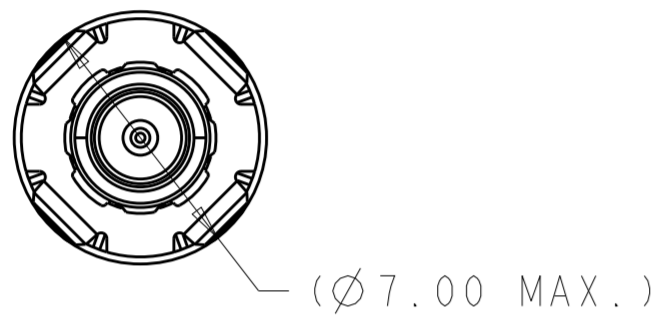


THIS DRAWING IS UNPUBLISHED. RELEASED FOR PUBLICATION
 © COPYRIGHT copyright.d8Te- ALL RIGHTS RESERVED.

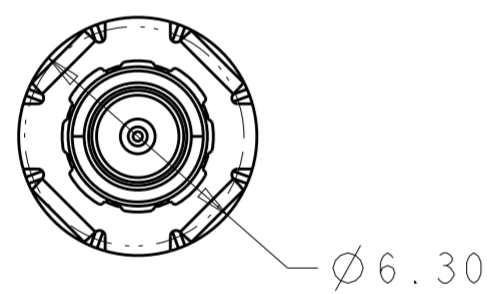
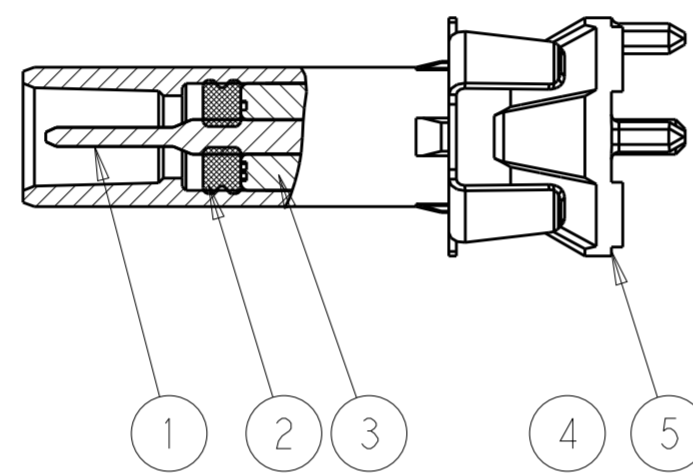
CUSTOMER DESCRIPTION	CUSTOMER PART NUMBER	TE PART NUMBER
CONN WTB COAXIAL V PIP TE	3140 360 22321	2278742-1
CONN WTB COAXIAL V PIP TE	3140 360 24021	2278742-3

NOTE,

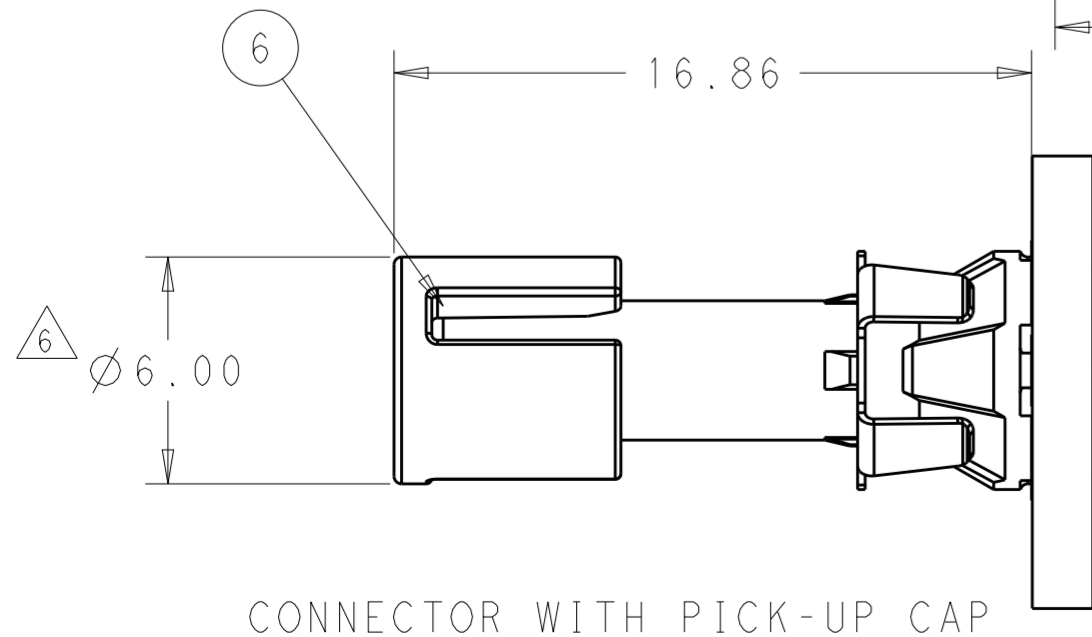
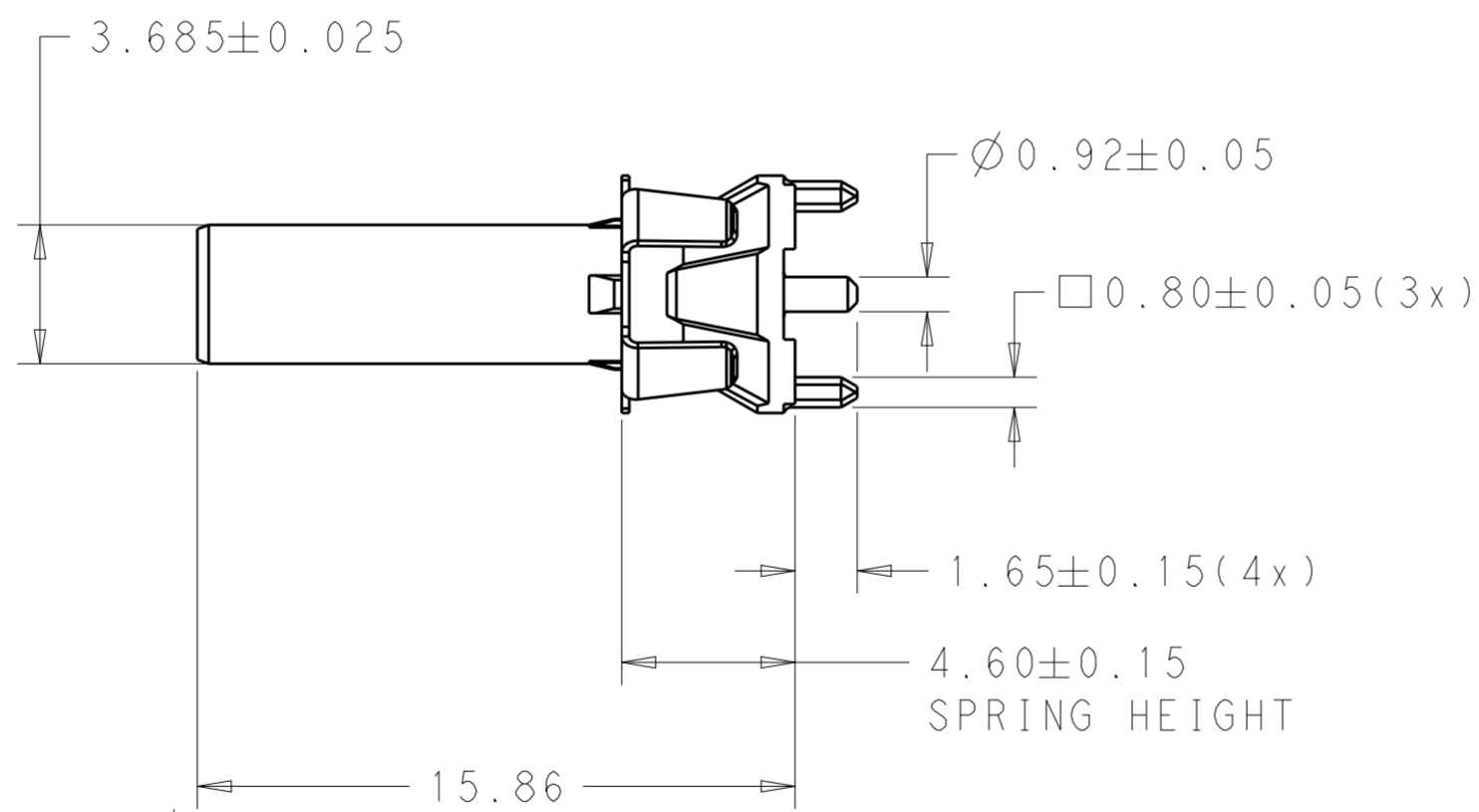
- ①. PARTS MATERIAL, SEE THE TABLE
- ②. PLATING THICKNESS, SEE THE TABLE
- 3. PACKAGING: TAPE & REEL
- 4. THE INTERFACE COMPLY WITH FAKRA II AS PER ISO20860-1 OR EQUIVALENT DIN/USCAR
- ⑤. SOLDERING AREA
- ⑥. VACUUM PICK-UP AREA
- 7. THE PICK-UP CAP SHOULD BE REMOVED AFTER SOLDERING REFLOW



SPRING OUTER DIAMETER
 AFTER BEING PRESSED
 (SPRING HEIGHT=3.75mm)

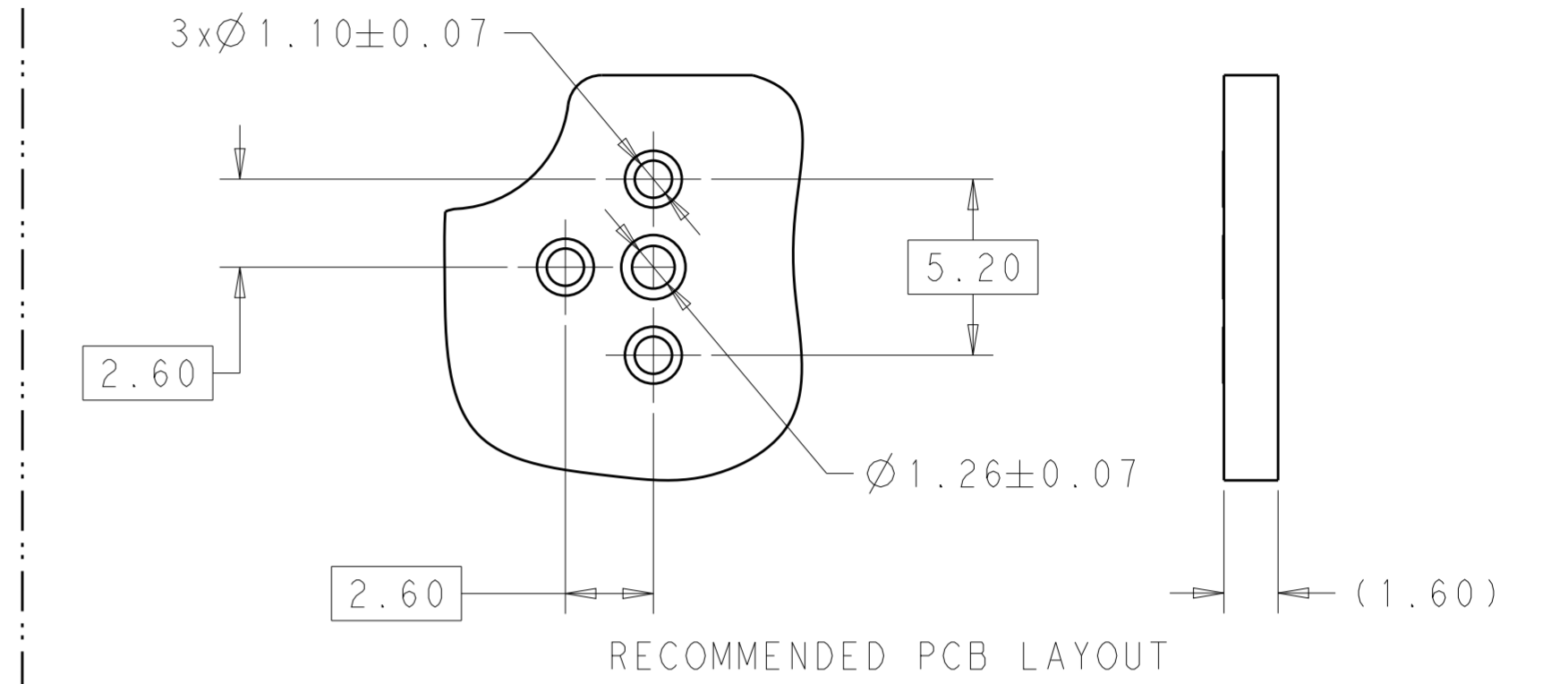


SPRING OUTER DIAMETER
 BEFORE BEING PRESSED

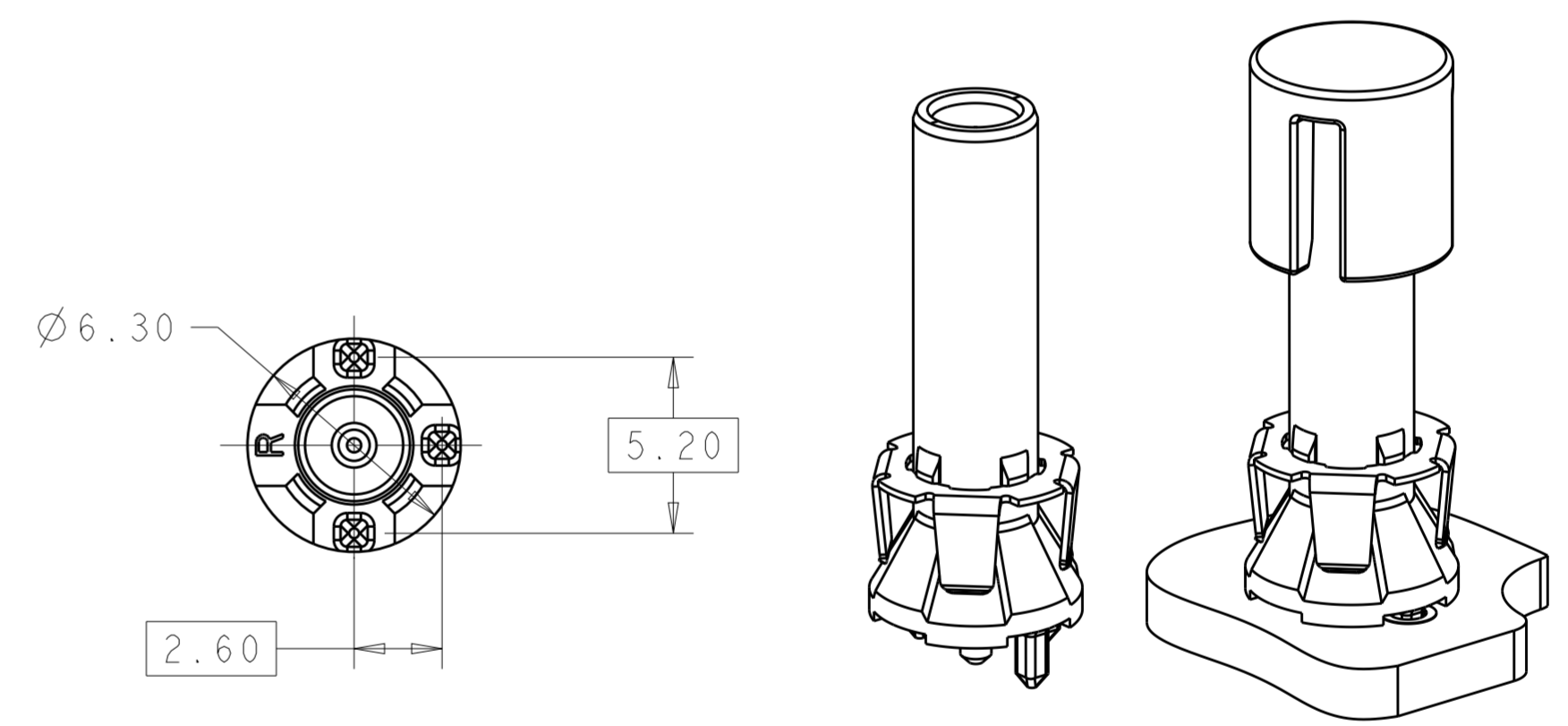


CONNECTOR WITH PICK-UP CAP

REVISIONS				
P	LTR	DESCRIPTION	DATE	APVD
A		RELEASE TO PRODUCTION	27JUN2017	KQ IY



RECOMMENDED PCB LAYOUT



DESCRIPTION	QTY.	FINISHED SURFACE	MATERIAL	ITEM NO.
PICK-UP CAP	1	-	PA	6
SHELL	1	SOLDERING POST: 0.25µm MIN. TIN OVER 0.2µm MIN. NICKEL	Zn ALLOY	5
SPRING	1	-	STAINLESS STEEL	4
DIELECTRIC	1	-	PCT	3
SEAL RING	1	-	VMQ	2
CENTER CONTACT	1	0.8µm MIN. GOLD ON MATING AREA 2.5µm MIN. TIN ON TERMINAL AREA BOTH OVER 1.27µm MIN. NICKEL	BRASS	1

THIS DRAWING IS A CONTROLLED DOCUMENT.

DWN	F.PAN	15SEP214
CHK	F.PAN	15SEP214
APVD	P.WU	15SEP214

STE TE Connectivity

NAME: FAKRA HEADER .92 CENTER PIN W/O NOSE

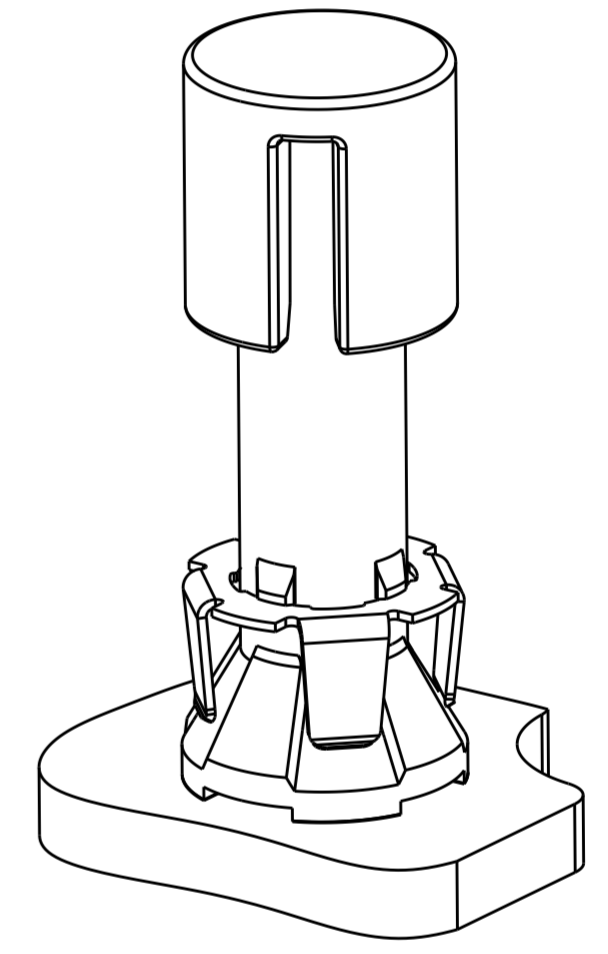
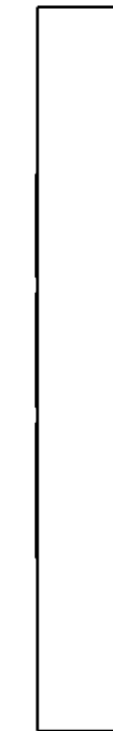
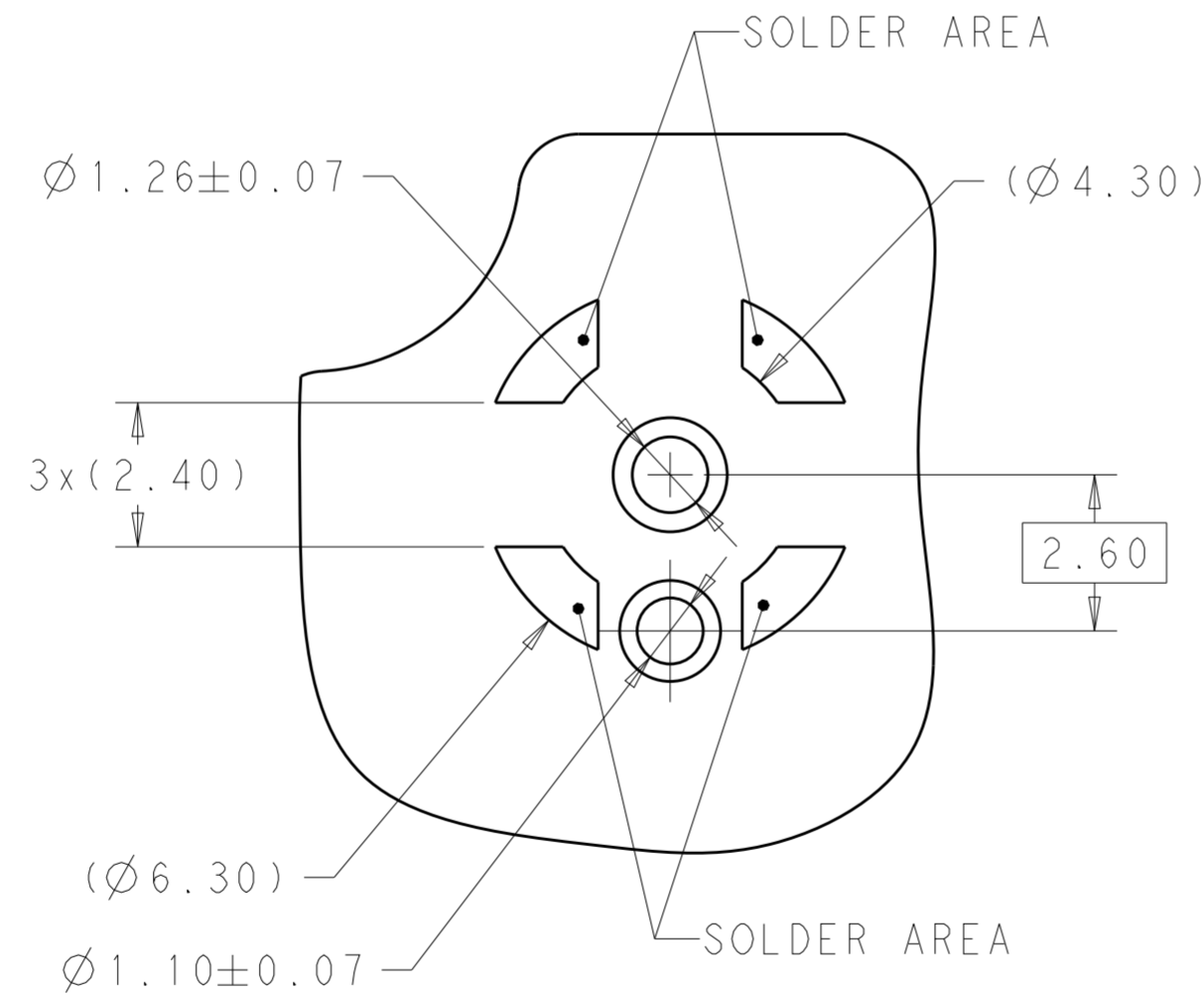
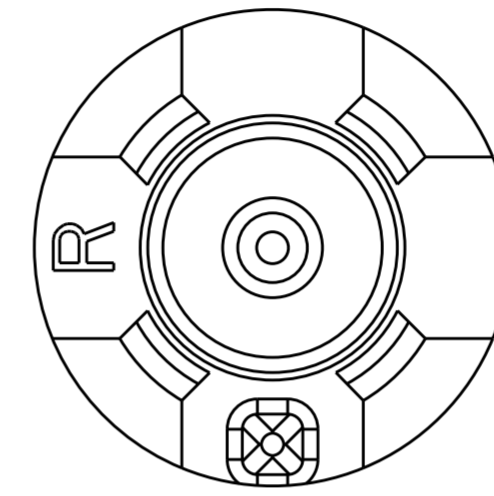
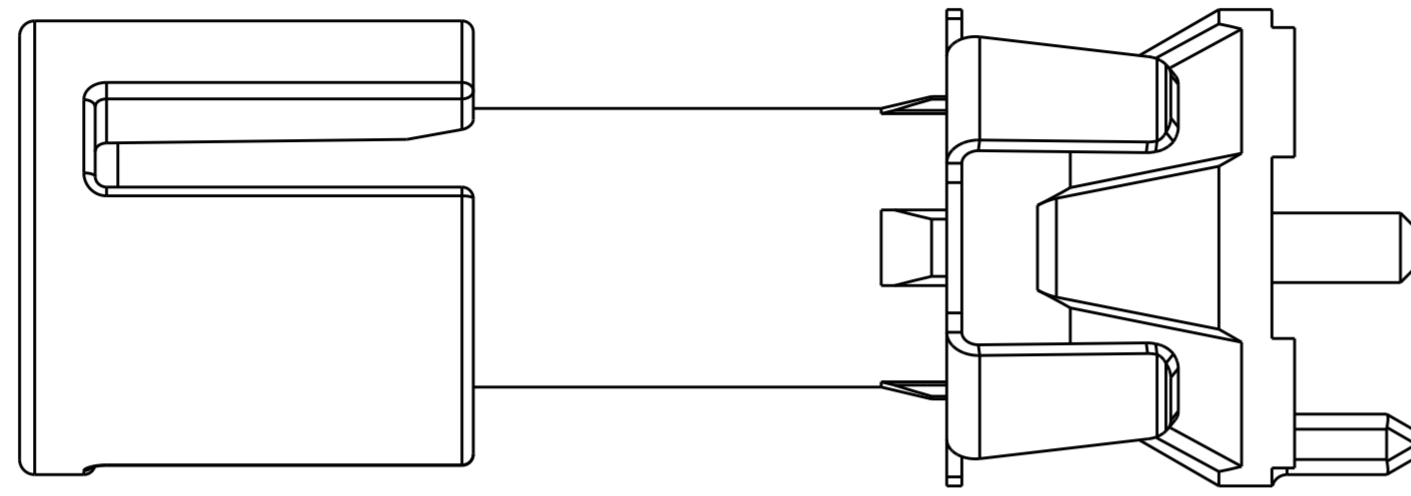
SIZE	CAGE CODE	DRAWING NO	RESTRICTED TO
A2		G-2278742	-

Customer Drawing SCALE 10:1 SHEET 1 OF 2 REV A

THIS DRAWING IS UNPUBLISHED. RELEASED FOR PUBLICATION
 © COPYRIGHT copyright.d8te- ALL RIGHTS RESERVED.

REVISIONS				
P	LTR	DESCRIPTION	DATE	APVD

2278742-3 AS SHOW, UNDEFINED DIMENSIONS IS SAME AS 2278742-1



2278742-3

RECOMMENDED PCB LAYOUT

THIS DRAWING IS A CONTROLLED DOCUMENT.		DWN F. PAN 15SEP214	TE Connectivity	
DIMENSIONS: mm		CHK F. PAN 15SEP214		
TOLERANCES UNLESS OTHERWISE SPECIFIED:		APVD P. WU 15SEP214	NAME FAKRA HEADER .92 CENTER PIN W/O NOSE	
0 PLC ± 1 PLC ±0.5 2 PLC ±0.2 3 PLC ±0.1 4 PLC ± ANGLES ± FINISH ±		PRODUCT SPEC -	SIZE A2	
MATERIAL		APPLICATION SPEC -	CAGE CODE -	DRAWING NO G-2278742
		WEIGHT 8.4g	RESTRICTED TO -	SCALE 10:1
		Customer Drawing	SHEET 2	OF 2
			REV A	

X-ON Electronics

Largest Supplier of Electrical and Electronic Components

Click to view similar products for [Automotive Connectors](#) category:

Click to view products by [TE Connectivity](#) manufacturer:

Other Similar products are found below :

[003-018-000](#) [60403001](#) [60993906-B](#) [M902-2131](#) [M902-2161](#) [M902-2344](#) [72.330.1035.1](#) [73.353.4028.0](#) [F119300-B](#) [F166900](#) [F258300-B](#)
[F358300-B](#) [F407400](#) [F444110](#) [F487000](#) [F509500B-B](#) [827153-1](#) [8N1515-32-24P](#) [9-1326729-8](#) [925474-1](#) [928905-1](#) [964562-4](#) [968782-1](#)
[GT17SA-8DS-HU](#) [98891-1012](#) [98947-1016](#) [12004147](#) [12004475-L](#) [12010290](#) [12010309-B](#) [12015454](#) [12020219-B](#) [12041318-B](#) [12052225-](#)
[L](#) [12052466](#) [12064869](#) [12004327-B](#) [12015308](#) [12015384](#) [12015909](#) [1-21030-1](#) [12041254](#) [12041318](#) [12047946-B](#) [12047957](#) [12047957-L](#)
[12059473](#) [12066261](#) [12110546](#) [12110546-B](#)