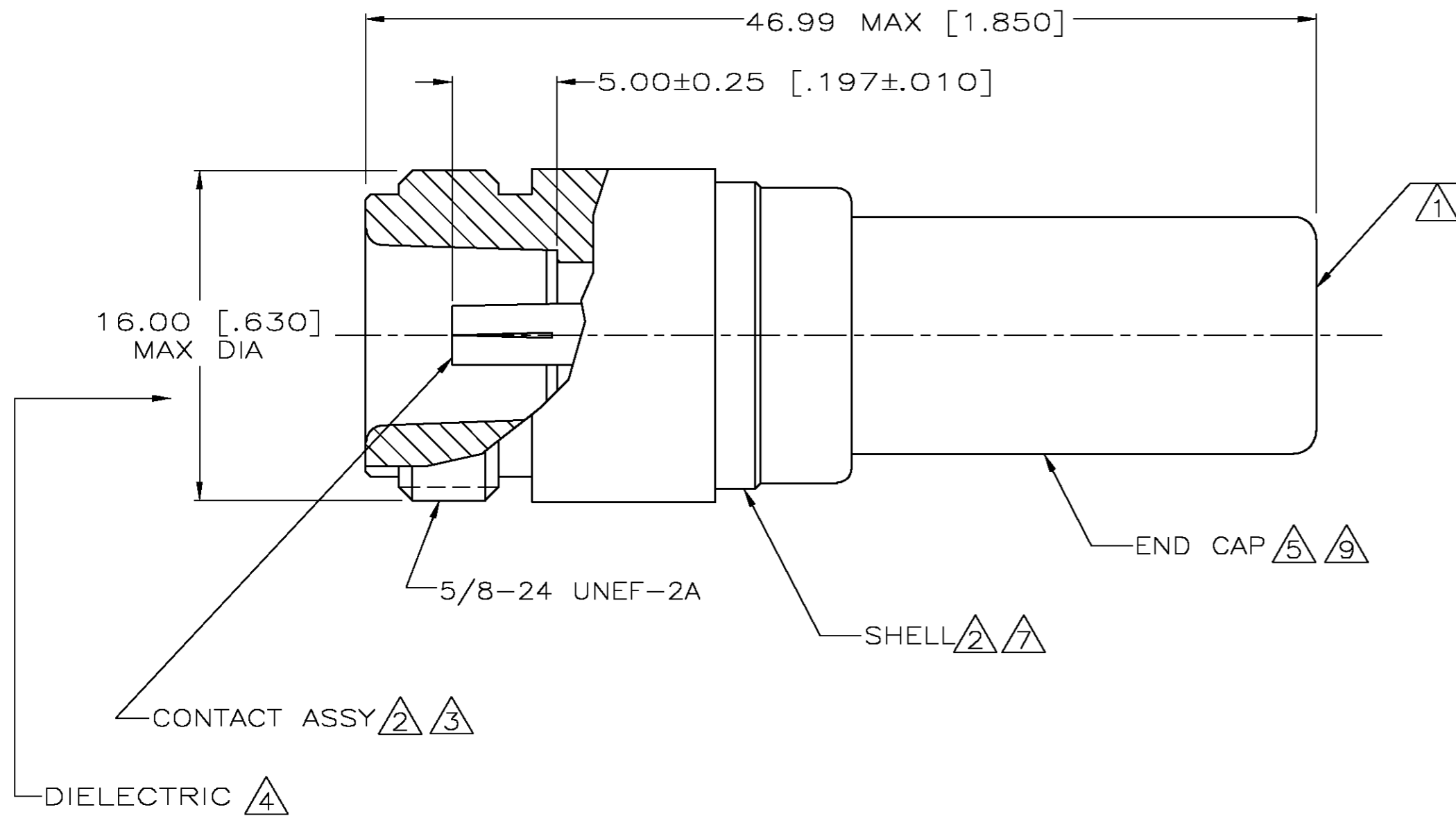


THIS DRAWING IS UNPUBLISHED. RELEASED FOR PUBLICATION  
 © COPYRIGHT BY TYCO ELECTRONICS CORPORATION. ALL RIGHTS RESERVED.

LOC	DIST	REVISIONS			
P	LTR	DESCRIPTION	DATE	DWN	APVD
AJ	16	J	PER EC OS14-0181-04	16DEC04	GM GM



- ① STEEL STAMP 500, 1W, CHARACTERS, THIS SURFACE
- ② BRASS PER QQ-B-626
- ③ BERYLLIUM COPPER PER QQ-C-530
- ④ PTFE PER MIL-P-19468
- ⑤ COPPER PER QQ-C-576
- ⑥ SILVER PL PER QQ-S-365, 2.54µm [.000100] MIN THK
- ⑦ NICKEL PL PER QQ-N-290, 2.54µm [.000100] MIN THK
- ⑧ GOLD PL PER MIL-G-45204, 2.54µm [.000100] MIN THK
- ⑨ TIN PLATE PER ASTM-B-545, 2.54µm [.000100] MIN THK
- ⑩ SEE SEPERATE RESTRICTED CUSTOMER DRAWING WITH THIS PART NUMBER
- ⑪ SAME AS 227997-3 EXCEPT PACKAGED 10 PER BOX

SUPSD BY 227997-2	⑪	-	227997-5
SUPSD BY 227997-1	⑩	-	227997-4
SUPSD BY 227997-1	⑩	-	227997-3
OBSOLETE	⑥		227997-2
	⑧		227997-1
CONTACT FINISH		PART NUMBER	

THIS DRAWING IS A CONTROLLED DOCUMENT.		DWN	M. SNEED	4-24-91	Tyco Electronics Corporation Harrisburg, PA 17105-3608
DIMENSIONS: INCHES		CHK	R. HENRY	4-24-91	
TOLERANCES UNLESS OTHERWISE SPECIFIED:		APVD	R. HENRY	4-24-91	
0 PLC ± - 1 PLC ± - 2 PLC ± - 3 PLC ± - 4 PLC ± - ANGLES ± -		PRODUCT SPEC	-		
MATERIAL	NOTES 2 THRU 5	FINISH	NOTES 6 THRU 9	WEIGHT	-
		SCALE		4:1	SHEET 1 OF 1
		SIZE		A2	CAGE CODE 00779
		DRAWING NO		G=227997	
		RESTRICTED TO		-	
		REV		J	

227997

A

## X-ON Electronics

Largest Supplier of Electrical and Electronic Components

*Click to view similar products for [TE Connectivity](#) manufacturer:*

Other Similar products are found below :

[D38999/24FJ4AN](#) [570416-000](#) [CLTEQ-M81CE-SSRELAY-4-20V](#) [4-1195131-0](#) [650069-000](#) [SMD100-2](#) [358838-000](#) [CB-1022B-78](#)  
[RM707012](#) [RP410012](#) [MMS42](#) [1-640426-8](#) [2EDL4CM](#) [DTS20W19-11PD-3028-LC](#) [RM202615](#) [NC6-P104-06](#) [MSPS103B](#) [DTS26F21-](#)  
[41HE-LC](#) [DTS26F21-41AE](#) [DTS26F21-41PE-LC](#) [DTS26F21-11SE-3028-LC](#) [30DCB6](#) [1932144-1](#) [293545-4](#) [LVR125S](#) [MS27466T25F4PB](#)  
[CKB-38-78010](#) [TR04AI-TINELLOCKRING](#) [1206SFF150F/63-2](#) [D38999/20JB35HA](#) [TE1500A2R2J](#) [D38999/20WC8BB](#) [DTS24F19-11SC-](#)  
[3028-LC](#) [D38999/24WG11HA](#) [D38999/24WG11HN](#) [MS27467T21F11H](#) [DJT16E21-11HA](#) [MS27467T21F35J](#) [MS27467T21F11J](#)  
[MS27467T21F16H-LC](#) [MS27467T21F35H](#) [MS27467T21F41H-LC](#) [1206SFH150F/24-2](#) [RP330024](#) [DJT16E21-11PA-LC](#) [DJT16E21-11HA-](#)  
[LC](#) [DJT16E21-11AA](#) [MS27467T21B11JA](#) [DJT16E21-11JA](#) [MS27467T21B11JA-LC](#)