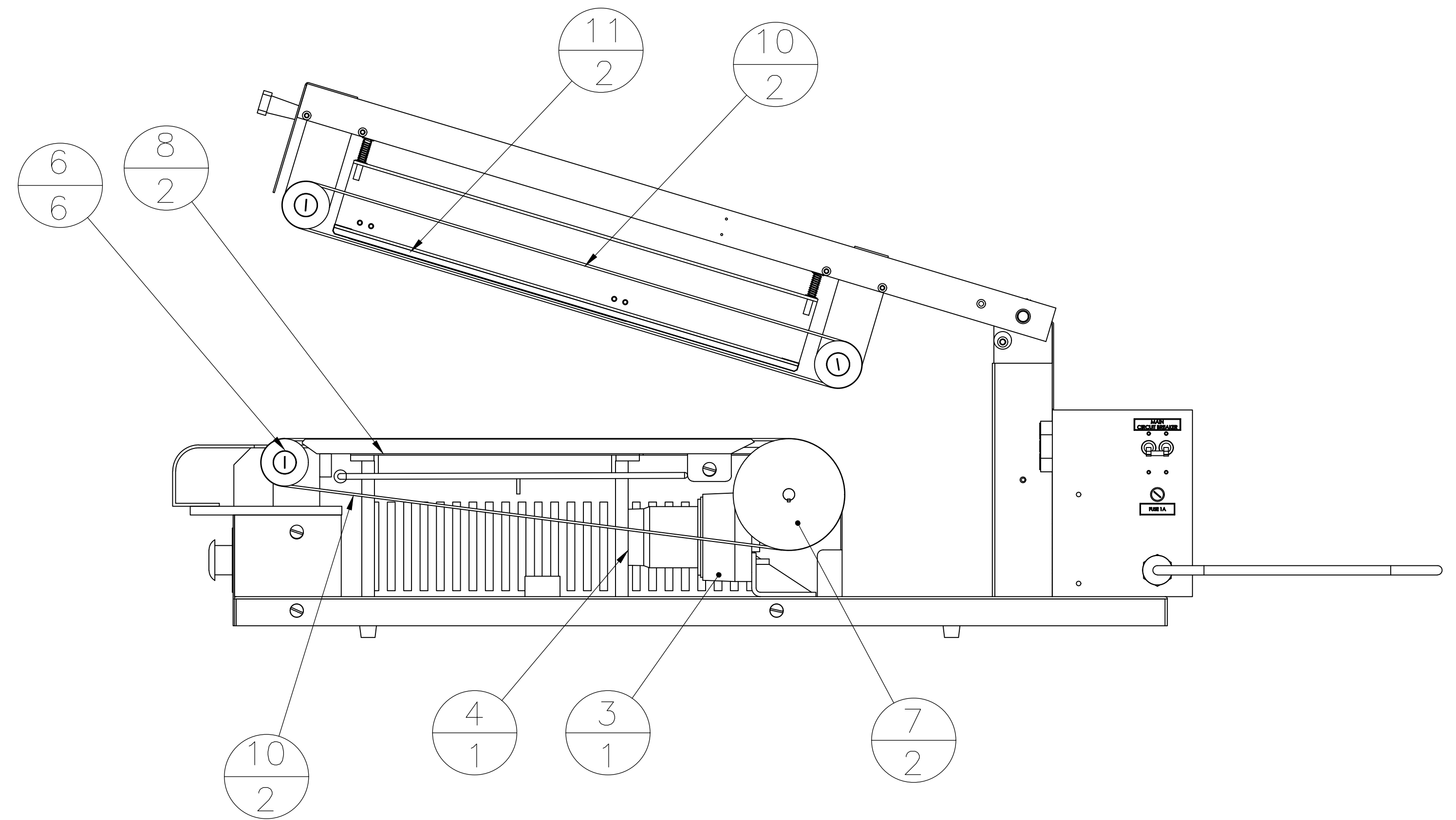
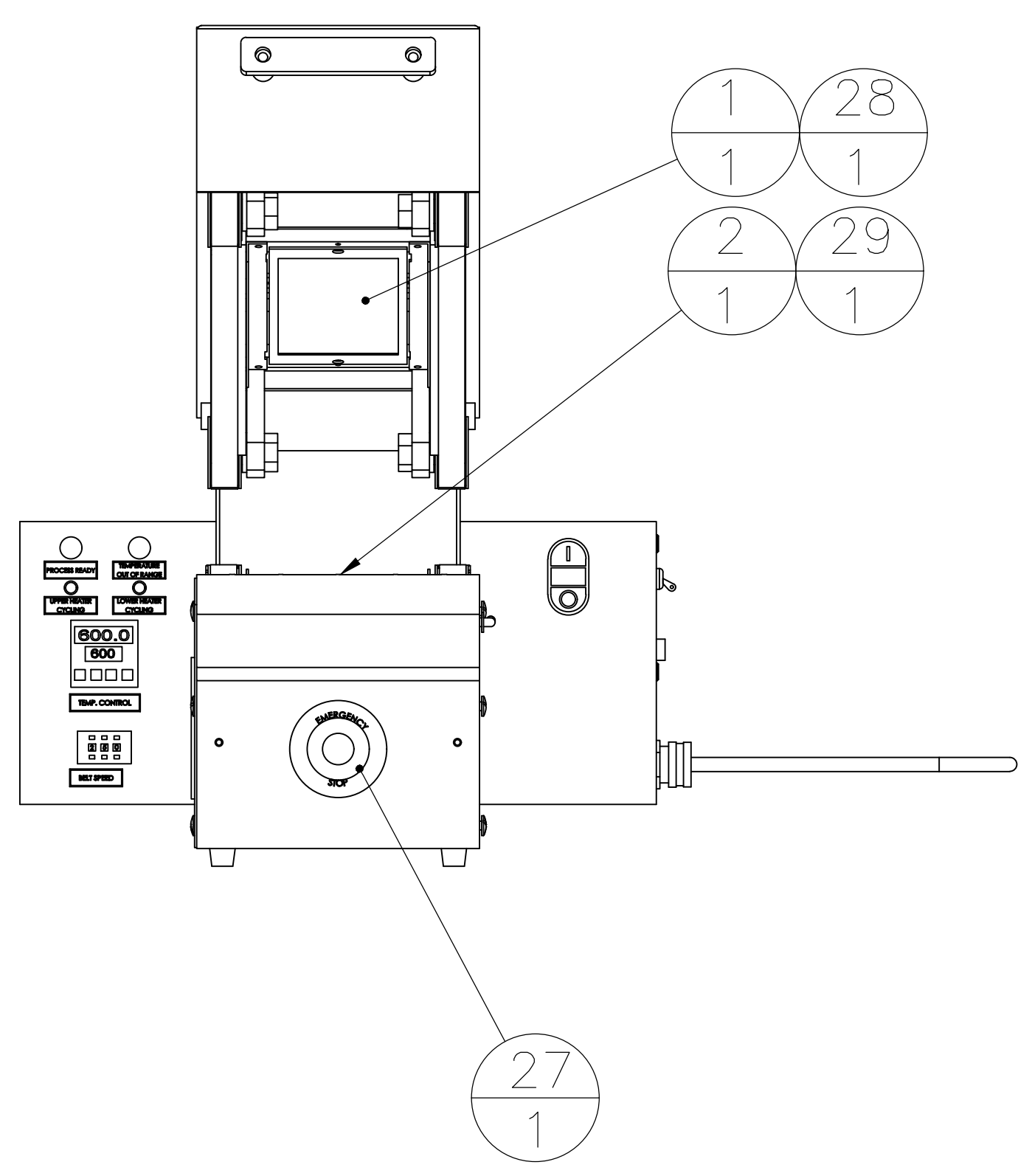
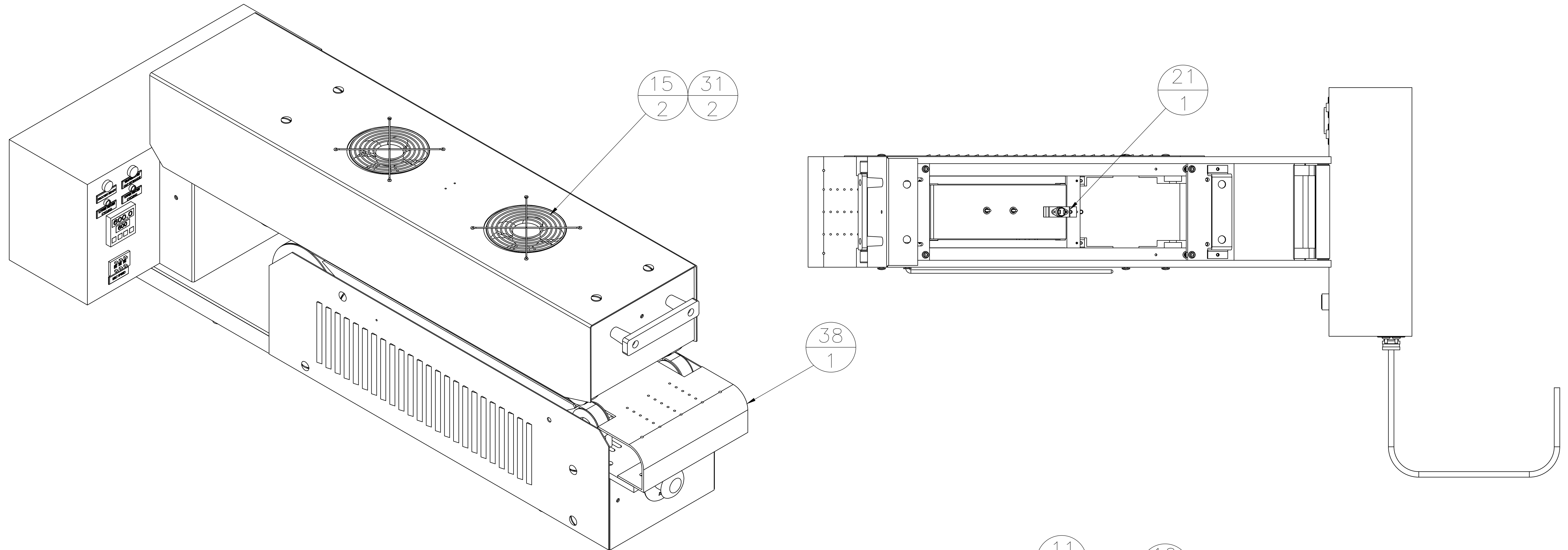


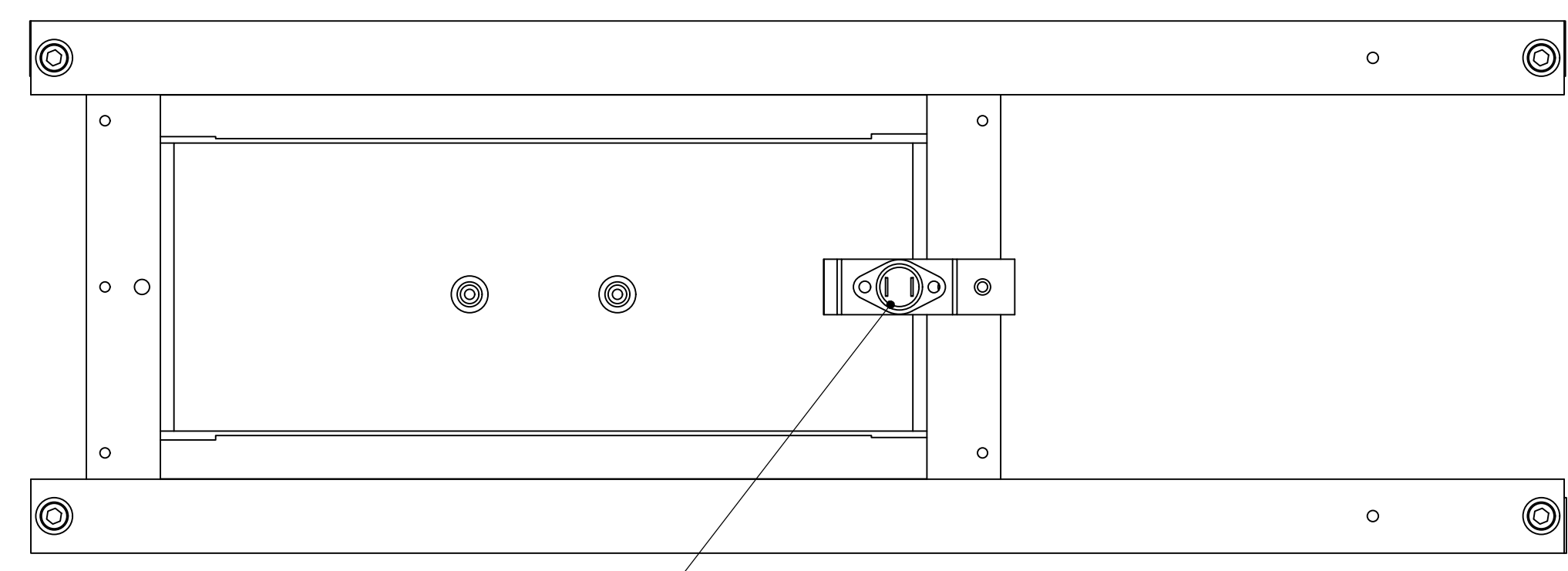
REVISIONS				
#	LR	DESCRIPTION	DATE	OWN APVD
D2	-		09DEC2019	MS MS



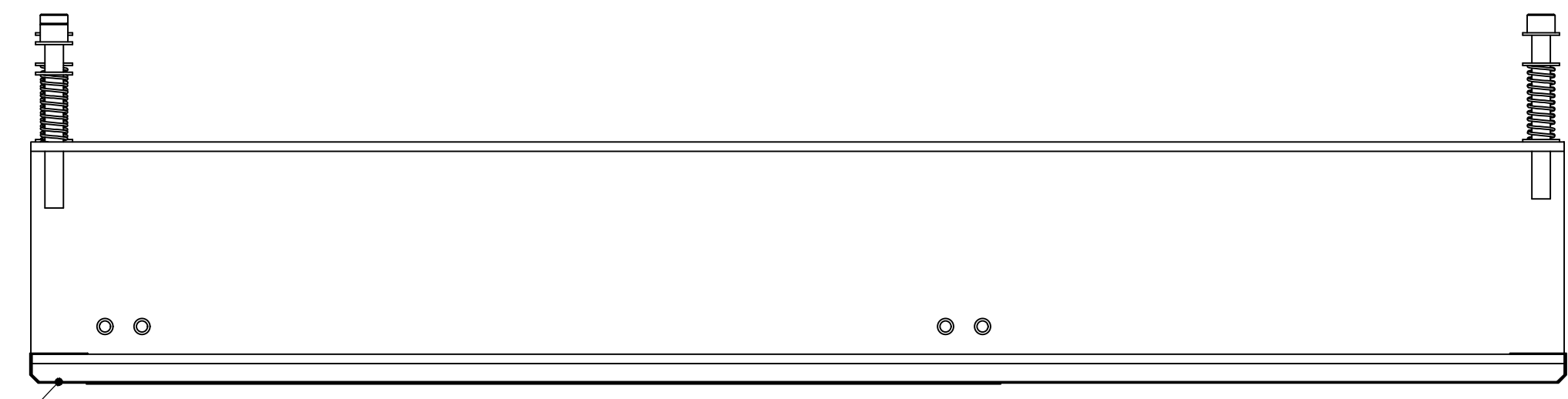
THIS DRAWING IS A CONTROLLED DOCUMENT.		DWN: Kiran Holal 12FEB2015		
DIMENSIONS: INCHES		DK: C Kerstetter 12FEB2015		
TOLERANCES UNLESS OTHERWISE SPECIFIED:		APVD: C Kerstetter 12FEB2015	NAME: MODEL 17 BELT HEATER	
0 PLC ± -	1 PLC ± -	PRODUCT SPEC: -	RESTRICTED TO: -	
2 PLC ± -	3 PLC ± -	APPLICATION SPEC: -	SIZE: A1	
4 PLC ± -	ANGLES ± -	WEIGHT: 0	CAGE CODE: 00779	
MATERIAL: -	FINISH: -	DRAWING NO: 2280355		REV: D2
CUSTOMER DRAWING			SCALE: 1:1	SHEET: 1 of 4

REVISIONS				
#	LR	DESCRIPTION	DATE	OWN
-	-	SEE SHEET 1	-	-

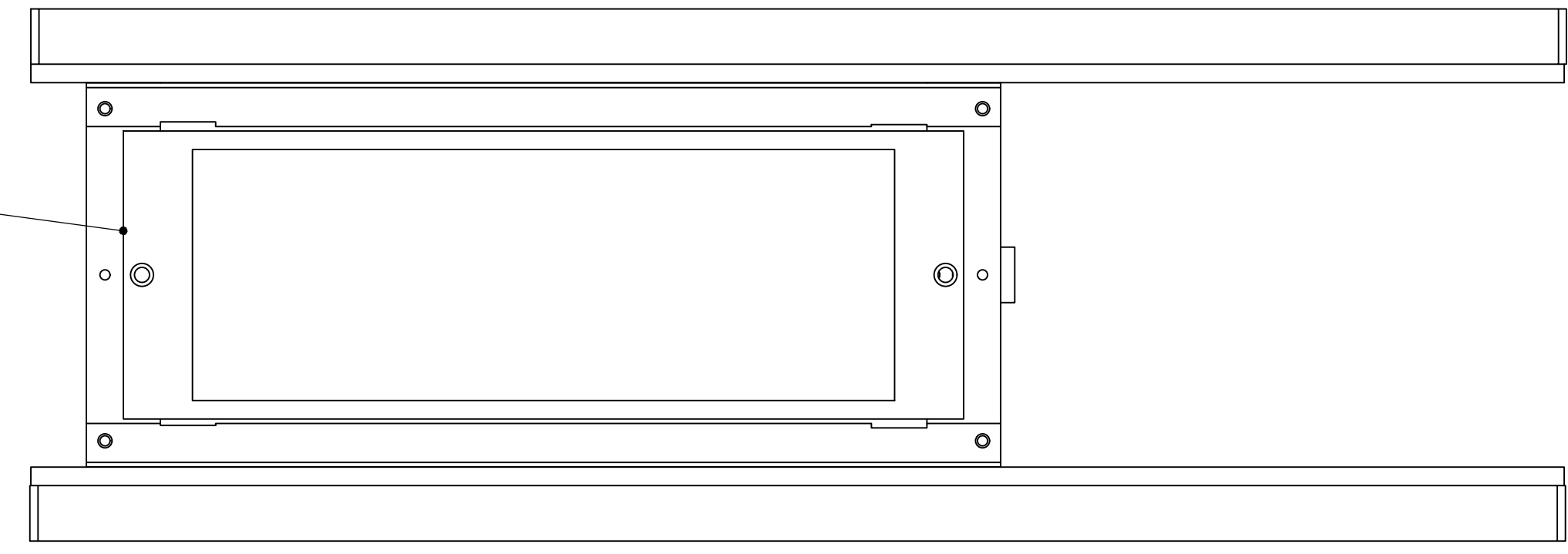
UPPER HEATER ASSEMBLY



21
1



11
2

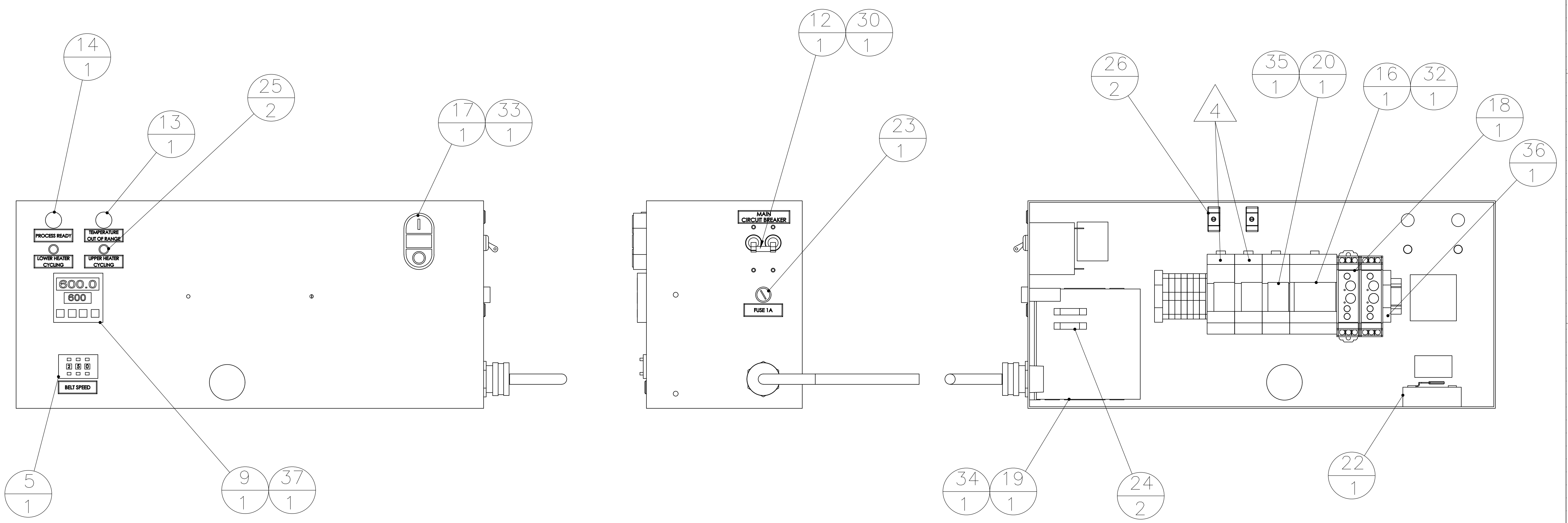


28 1
1 1

THIS DRAWING IS A CONTROLLED DOCUMENT.		DWN Kiran Holal 12FEB2015		
DIMENSIONS: INCHES		CHK C Kerstetter 12FEB2015	NAME	
TOLERANCES UNLESS OTHERWISE SPECIFIED: 0 PLC ± - 1 PLC ± - 2 PLC ± - 3 PLC ± - 4 PLC ± - ANGLES ± -		APRO C Kerstetter 12FEB2015	MODEL 17 BELT HEATER	
DIMENSIONS: INCHES 		PRODUCT SPEC	RESTRICTED TO	
MATERIAL		APPLICATION SPEC	SIZE A1	CAGE CODE 00779
FINISH		WEIGHT	DRAWING NO C=2280355	REV D2
CUSTOMER DRAWING		SCALE 1:1	SHEET 2 OF 4	REV D2

REVISIONS				
#	LR	DESCRIPTION	DATE	APP'D
-	-	SEE SHEET 1	-	-

CONTROL PANEL LAYOUT




THIS DRAWING IS A CONTROLLED DOCUMENT.		DWN: Kran, Hojal 12FEB2015	
DIMENSIONS: INCHES		DK: C Kerstetter 12FEB2015	
TOLERANCES UNLESS OTHERWISE SPECIFIED:		AP'D: C Kerstetter 12FEB2015	NAME
0 PLC	± -	PRODUCT SPEC	MODEL 17 BELT HEATER
1 PLC	± -	APPLICATION SPEC	SIZE: A1
2 PLC	± -	WEIGHT	CAGE CODE: 00779
3 PLC	± -	CUSTOMER DRAWING	DRAWING NO: 2280355
4 PLC	± -	SCALE: 1:1	SHEET 3 OF 4
ANGLES	± -	REV: D2	

REVISIONS				
P	LTR	DESCRIPTION	DATE	APPD
-	-	SEE SHEET 1	-	-

- 1 PART IS SPECIFIC TO 2280355-1 AND -2 MACHINES ONLY. (220 VAC VERSION)
- 2 PART IS SPECIFIC TO 2280355-3 AND -4 MACHINES ONLY. (110 VAC VERSION)
- 3 FOR 2280355-4 VERSION ONLY.
- 4 FOR 2280355-3, 1 IS REQUIRED (1CR). FOR 2280355-4, 3 ARE REQUIRED PER MACHINE (1CR, 2CR, 3CR).

SPARE PARTS LIST

ITEM	QTY	TE PART NUMBER	DESCRIPTION
1	1	2280624-1	UPPER HEATER ELEMENT, IR, 1000 W, 240 VAC, W/TYPE K T/C (STANDARD WIDTH)
2	1	2280624-2	LOWER HEATER ELEMENT, IR, 1000 W, 240 VAC, W/O TYPE K T/C (STANDARD WIDTH)
3	1	2280624-3	DRIVE MOTOR, 1/50 HP, 90VDC
4	2	2280624-4	REPLACEMENT BRUSH SET (2)
5	1	2280624-5	SPEED POTENTIOMETER CONTROLLER
6	6	2280624-6	IDLER PULLEY ASSEMBLY
7	2	2280624-7	DRIVE PULLEY
8	2	2280624-8	LOWER PHENOLIC BELT GUIDES (SET OF 2)
9	1	2280624-9	PARTLOW TEMPERATURE CONTROLLER, PROGRAMMED
10	4	1-2280624-0	TIMING BELT, D540L075
11	2	1-2280624-1	FOAM PAD BELT BACKUP SET
12	1	1-2280624-2	MAINS CIRCUIT BREAKER 250VAC 15Amp
13	1	1-2280624-3	TEMPERATURE OUT OF RANGE LIGHT, 220VAC, RED
14	1	1-2280624-4	PROCESS READY LIGHT, 220 VAC, GREEN
15	2	1-2280624-5	COOLING FAN, 220VAC
16	1	1-2280624-6	MCR, 4 POLE, 220VAC
17	1	1-2280624-7	POWER ON, OFF MODULE w/220VAC NEON INDICATOR LAMP
18	1	1-2280624-8	COOL DOWN TIMER, 220VAC
19	1	1-2280624-9	SCR MOTOR CONTROLLER, 220VAC x 90VDC, w/0.51 Ohm HORSEPOWER RESISTOR, ASSEMBLED
20	1	2-2280624-0	CONTROL RELAY, 1CR, 2 POLE 230VAC
21	1	2-2280624-1	OVER TEMPERATURE SWITCH
22	1	2-2280624-2	SOLID STATE RELAY
23	1	2-2280624-3	FUSE, IEC 5x20mm, HIGH BREAKING, TIME DELAY, 250V, 1.0A
24	2	2-2280624-4	FUSE, MDL-1
25	2	2-2280624-5	HEATER CYCLING LED
26	2	2-2280624-6	HEATER CYCLING CURRENT RING
27	1	2-2280624-7	EMERGENCY STOP PUSHBUTTON ASSEMBLY
28	1	2-2280624-8	UPPER HEATER ELEMENT, IR,1000W, 115 VAC, W/TYPE K T/C
29	1	2-2280624-9	LOWER HEATER ELEMENT, IR,1000W, 115 VAC, W/O TYPE K T/C
30	1	3-2280624-0	MAINS CIRCUIT BREAKER 250 VAC 20 AMP
31	2	3-2280624-1	COOLING FAN, 115 VAC
32	1	3-2280624-2	MCR, 4 POLE, 115 VAC
33	1	3-2280624-3	POWER ON, OFF MODULE W/115 VAC INDICATOR LAMP
34	1	3-2280624-4	SCR MOTOR CONTROLLER, 115 VAC X 90 VDC, W/0.51 OHM HORSEPOWER RESISTOR, ASSEMBLED
35	1	3-2280624-5	CONTROL RELAY, 1CR, 2 POLE 115 VAC, 2CR, 3CR
36	1	3-2280624-6	START-UP TIMER 115/230VAC
37	1	3-2280624-7	PARTLOW TEMPERATURE CONTROLLER CONTROLLER, PROGRAMMED FOR M17R
38	1	3-2280624-8	FEED TRAY

THIS DRAWING IS A CONTROLLED DOCUMENT.		DWG: Kiran_Holal 12FEB2015		 TE Connectivity	
DIMENSIONS: INCHES		CHK: C Kerstetter 12FEB2015			
TOLERANCES UNLESS OTHERWISE SPECIFIED:		APPD: C Kerstetter 12FEB2015		NAME: MODEL 17 BELT HEATER	
0 PLC ± - 1 PLC ± - 2 PLC ± - 3 PLC ± - 4 PLC ± - ANGLES ± -		PRODUCT SPEC: -		RESTRICTED TO: -	
MATERIAL: -		FINISH: -		APPLICATION SPEC: -	
WEIGHT: -		SIZE: A1		CAGE CODE: 00779	
CUSTOMER DRAWING		DRAWING NO: 2280355		SCALE: 1:1	
		SHEET 4 OF 4		REV D2	

X-ON Electronics

Largest Supplier of Electrical and Electronic Components

Click to view similar products for [TE Connectivity](#) manufacturer:

Other Similar products are found below :

[D38999/24FJ4AN](#) [570416-000](#) [CLTEQ-M81CE-SSRELAY-4-20V](#) [4-1195131-0](#) [650069-000](#) [SMD100-2](#) [358838-000](#) [CB-1022B-78](#)
[RM707012](#) [RP410012](#) [MMS42](#) [1-640426-8](#) [2EDL4CM](#) [DTS20W19-11PD-3028-LC](#) [RM202615](#) [NC6-P104-06](#) [MSPS103B](#) [DTS26F21-](#)
[41HE-LC](#) [DTS26F21-41AE](#) [DTS26F21-41PE-LC](#) [DTS26F21-11SE-3028-LC](#) [30DCB6](#) [1932144-1](#) [293545-4](#) [LVR125S](#) [MS27466T25F4PB](#)
[CKB-38-78010](#) [TR04AI-TINELLOCKRING](#) [1206SFF150F/63-2](#) [D38999/20JB35HA](#) [TE1500A2R2J](#) [D38999/20WC8BB](#) [DTS24F19-11SC-](#)
[3028-LC](#) [D38999/24WG11HA](#) [D38999/24WG11HN](#) [MS27467T21F11H](#) [DJT16E21-11HA](#) [MS27467T21F35J](#) [MS27467T21F11J](#)
[MS27467T21F16H-LC](#) [MS27467T21F35H](#) [MS27467T21F41H-LC](#) [1206SFH150F/24-2](#) [RP330024](#) [DJT16E21-11PA-LC](#) [DJT16E21-11HA-](#)
[LC](#) [DJT16E21-11AA](#) [MS27467T21B11JA](#) [DJT16E21-11JA](#) [MS27467T21B11JA-LC](#)