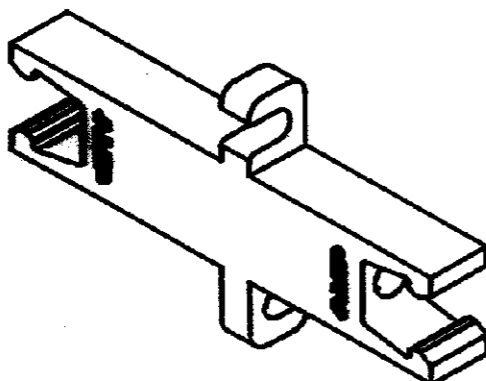
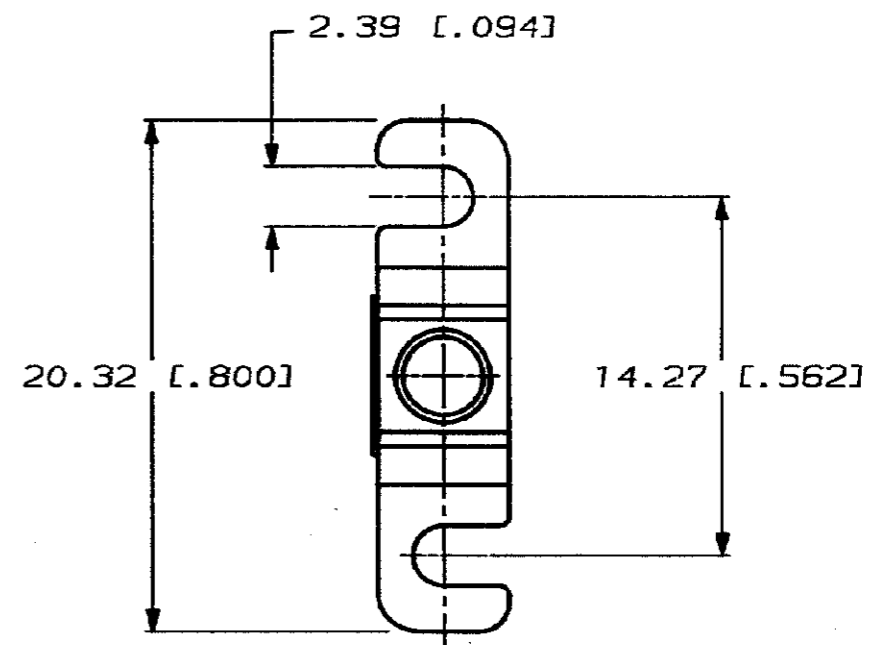
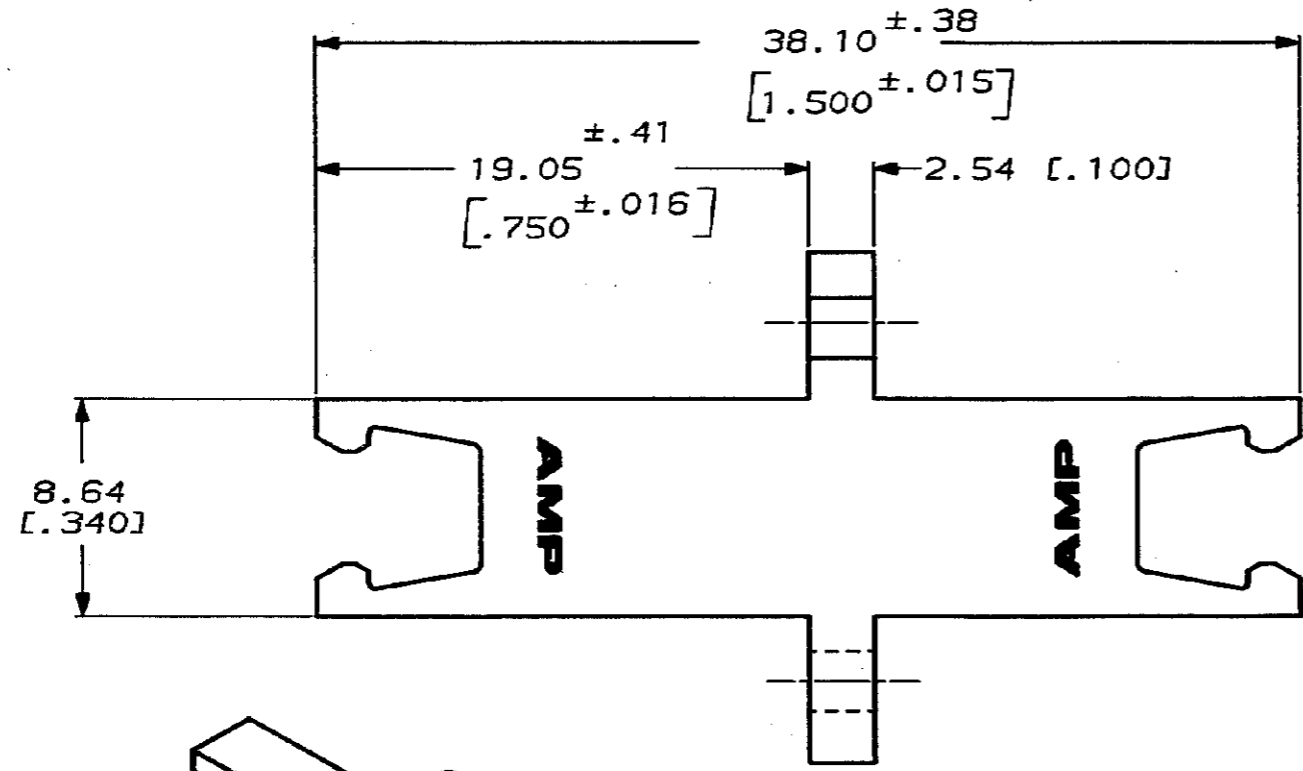


DRAWING MADE IN THIRD ANGLE PROJECTION

THIS DRAWING IS UNPUBLISHED. RELEASED FOR PUBLICATION
 © COPYRIGHT 19 BY AMP INCORPORATED, HARRISBURG, PA. ALL INTERNATIONAL RIGHTS RESERVED. AMP PRODUCTS MAY BE COVERED BY U.S. AND FOREIGN PATENTS AND/OR PATENTS PENDING.

LOC	DIST	P	F	ZONE	LTR	DESCRIPTION	DATE	APPROVED
CE	16				D	REDRAW W/ CHG CE-660	9/15/86	[Signature] / aEP

228042-1 1. DIMENSIONS IN [] ARE IN INCHES
 2. PRODUCT INTERMATEABLE WITH
 DNP CONNECTORS PER IS 2974



METRIC

UNLESS OTHERWISE SPECIFIED DIMENSIONS ARE IN MM TOLERANCES ON:		DR [Signature] 9/15/86		PART NO	
2 PL DEC ± .25 [.010]		APPD [Signature] 9-15-86		AMP INCORPORATED Harrisburg, Pa. 17105	
3 PL DEC ± -		APPD aEP/ltb 9-15-86		NAME SGL POSITION BULKHEAD RCPT, DNP, OPTIMATE	
ANGLES ± -		APPD [Signature] 9-15-86		SIZE B	
MATERIAL THERMOPLASTIC COLOR: BLACK		PRODUCT SPEC 108-45104		FSCM NO 00779	
FINISH -		APPLICATION SPEC IS SHEET 2974		DRAWING NO 228042	
		WEIGHT 1.7 G		SCALE 4:1	
				SHEET 1 OF 1	

X-ON Electronics

Largest Supplier of Electrical and Electronic Components

Click to view similar products for [Fiber Optic Connectors](#) category:

Click to view products by [TE Connectivity](#) manufacturer:

Other Similar products are found below :

[0004700001](#) [6100-R](#) [6313](#) [F709034706](#) [F709722200](#) [F718183204](#) [F727403500](#) [F727752800](#) [FCXO-12-3BY](#) [FO-SCREW\(M2X6\)](#) [9440F20-27S-190](#) [944-120-6001](#) [944-125-6003](#) [9441F10SL-3P](#) [9441F10SL-3S](#) [9446F10SL-4S](#) [9446F12S-3S](#) [953-101-5310-P](#) [954-101-57202B](#)
[A0270169](#) [12-9122](#) [12-5702](#) [143025NC](#) [AX101713](#) [AX102420](#) [AX103923](#) [AX104141](#) [AX104193](#) [AX104228](#) [AX104230](#) [AX104562](#)
[AX105203-B25](#) [AX105205-S1](#) [EHSC2M](#) [17-300800](#) [181-011-126](#) [BT34IW](#) [HRFCP-HSCJ-1\(61\)](#) [HRFC-R2\(40\)](#) [NKSOPBUY](#) [20500002116](#)
[2064996-1](#) [20800001065](#) [2170](#) [9132](#) [2612](#) [2620](#) [9291](#) [9440F18-19S](#) [9440F20-14P](#)