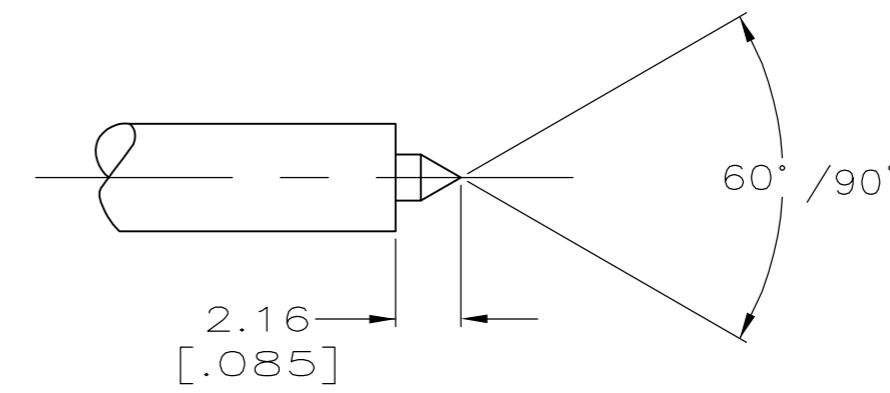
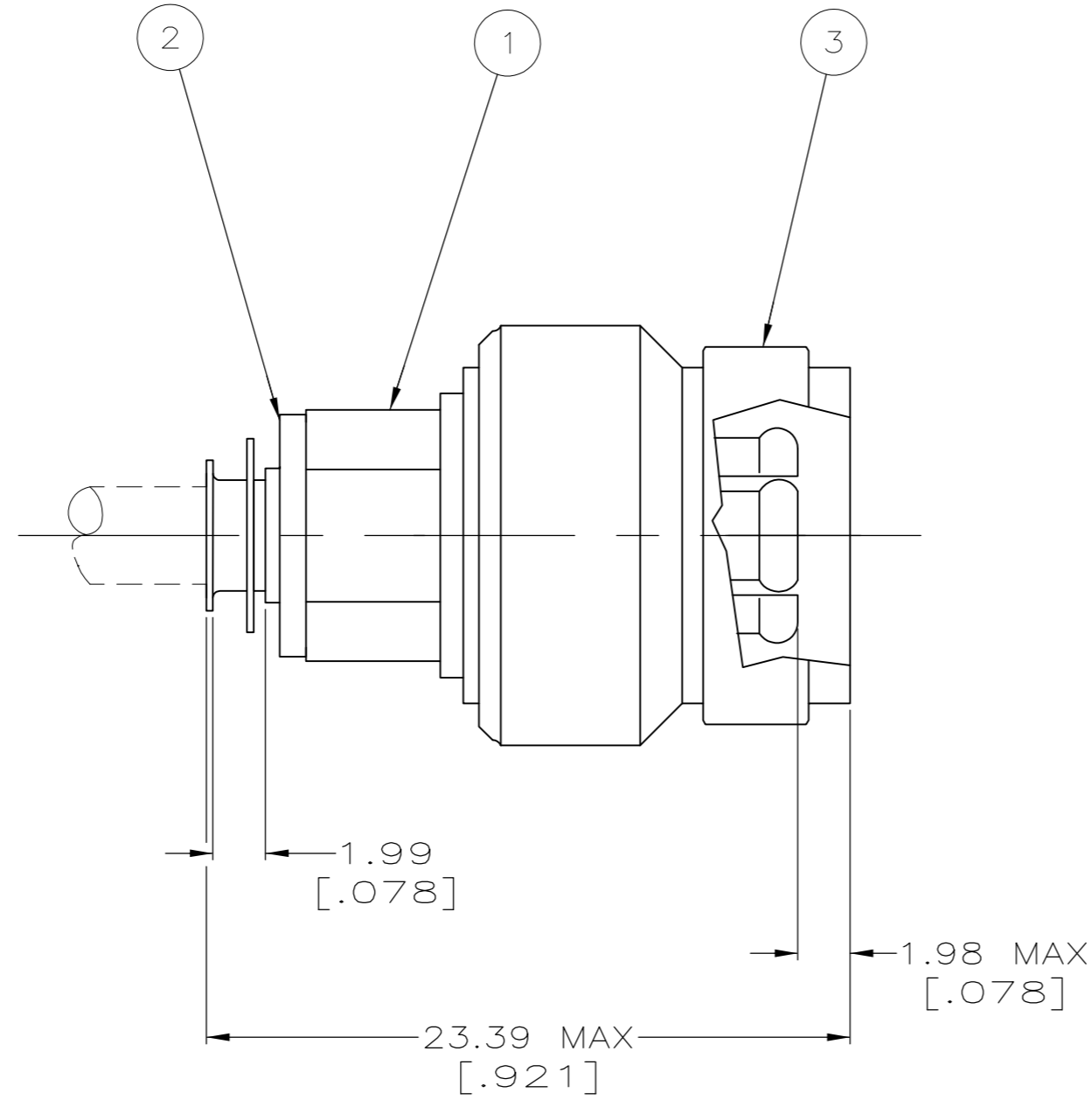


THIS DRAWING IS UNPUBLISHED. RELEASED FOR PUBLICATION  
 © COPYRIGHT BY TYCO ELECTRONICS CORPORATION. ALL RIGHTS RESERVED.

LOC	DIST	REVISIONS					
		P	LTR	DESCRIPTION	DATE	DWN	APVD
AJ	16	G		RDW & REV PER 0S14-0193-04	06-09-04	JDP	JGH
		G1		REVISED PER ECO-09-020689	02AUG09	KK	AEG

- 1 USE INSTRUCTION SHEET 408-2990
- 2 OBSOLETE PARTS: OBSOLETE CIS STREAMLINING PER D.RENAUD/D.SINISI



OBSOLETE	RG-405/U, .086 CABLE OD	-	-	-	-	228505-1	228312-1	228179-4
	RG-402 OR MI7/130	220235-1	312644-1	59980-1	-	228446-2	228312-2	228179-3
2 OBSOLETE	.141 CABLE OD, 50Ω	220235-1	220220-1	220218-1	-	228446-1	228312-1	228179-2
SUPERSEDED	.141 CABLE OD, 50Ω	59897-1	220220-2	59980-1	226181-2	228077-3	226324-1	228179-1
	FOR USE WITH CABLE	DIE SET	LOCATOR	HAND TOOL	3 COLLAR QTY=1	2 ADAPTOR ASSEMBLY QTY=1	1 PLUG ASSEMBLY QTY=1	PART NUMBER

THIS DRAWING IS A CONTROLLED DOCUMENT.

DWN	K. TOBIAS	10-27-92
CHK	M.E. COWHER	12-11-92
APVD	M.E. COWHER	12-11-92
PRODUCT SPEC		
APPLICATION SPEC		
WEIGHT	-	
CUSTOMER DRAWING		

**Tyco Electronics** Tyco Electronics Corporation  
Harrisburg, Pa 17105-3608

NAME: PLUG, TNC

SIZE	CAGE CODE	DRAWING NO	RESTRICTED TO
A2	00779	C=228179	-
SCALE	SHEET	OF	REV
4:1	1	1	G1

## X-ON Electronics

Largest Supplier of Electrical and Electronic Components

*Click to view similar products for [RF Connectors / Coaxial Connectors](#) category:*

*Click to view products by [TE Connectivity](#) manufacturer:*

Other Similar products are found below :

[8915-1511-000](#) [89674-0827](#) [6001-7071-019](#) [6002-7051-003](#) [6002-7551-202](#) [6059674-1](#) [619550-1](#) [630059-000](#) [M39030/3-01N](#) [6500-7071-046](#) [6769](#) [CX050L2AQ](#) [7002-1541-010](#) [7002-1542-011](#) [7004-1512-000](#) [7009-1511-004](#) [7010-1511-000](#) [7029-1511-060](#) [7101-1541-010](#) [7101-1571-002](#) [7105-1521-002](#) [7145-1521-002](#) [7203-1571-003](#) [7209-1511-011](#) [7210-1511-015](#) [7210-1511-019](#) [73137-5015](#) [73216-2241](#) [73404-2300](#) [7405-1521-005](#) [7405-1521-802](#) [8527](#) [8547](#) [FS11V](#) [877931](#) [8808-1511-001](#) [9074-9513-000](#) [9101-9573-002](#) [910A205F](#) [9130-9573-002](#) [PL11SC-026](#) [PL375-33](#) [PL40-5](#) [PL74C-221](#) [PL75MC-217](#) [PL803-7](#) [1200690078](#) [1-201144-1](#) [R107003010W](#) [R110A172100](#)