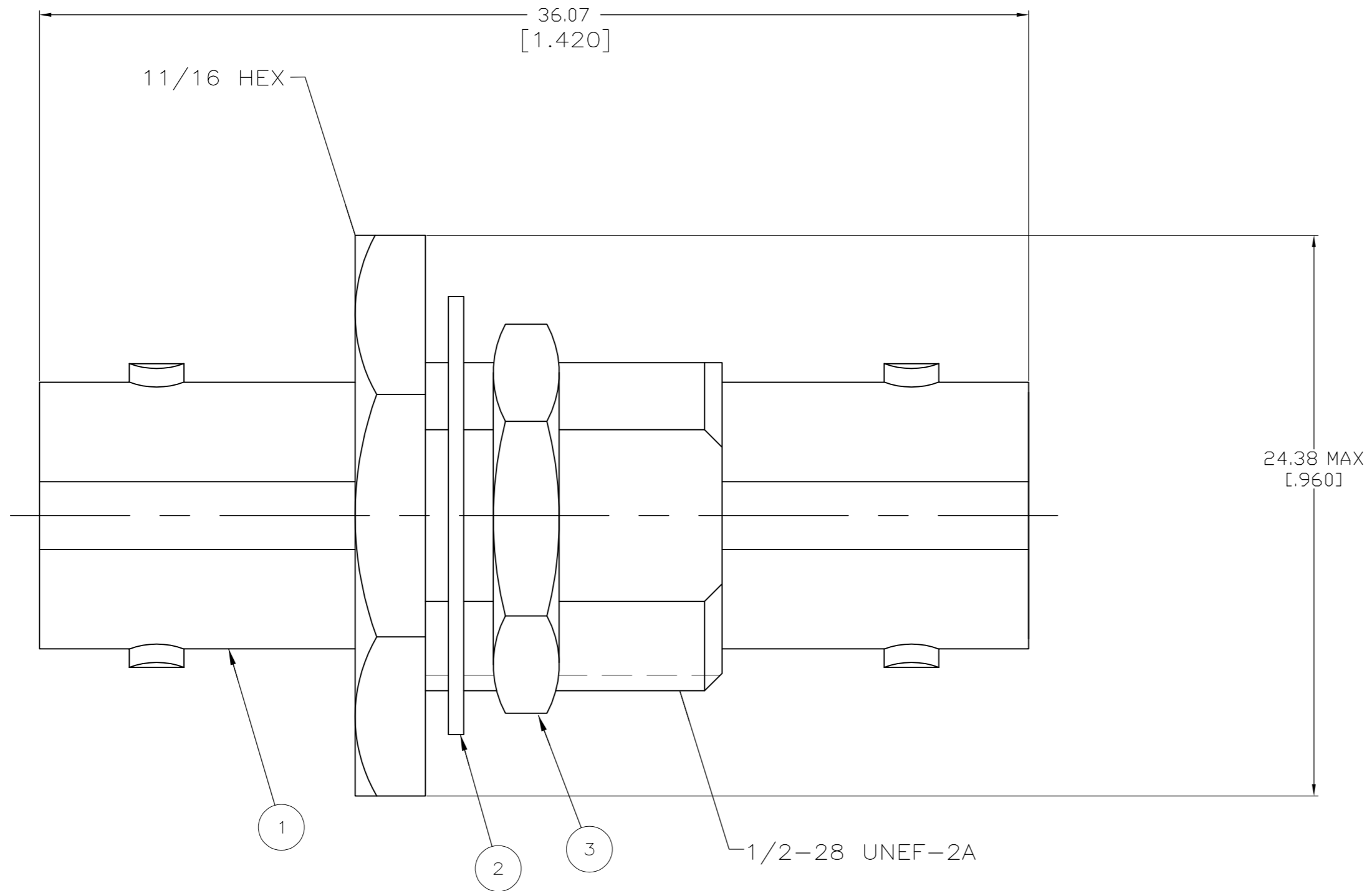
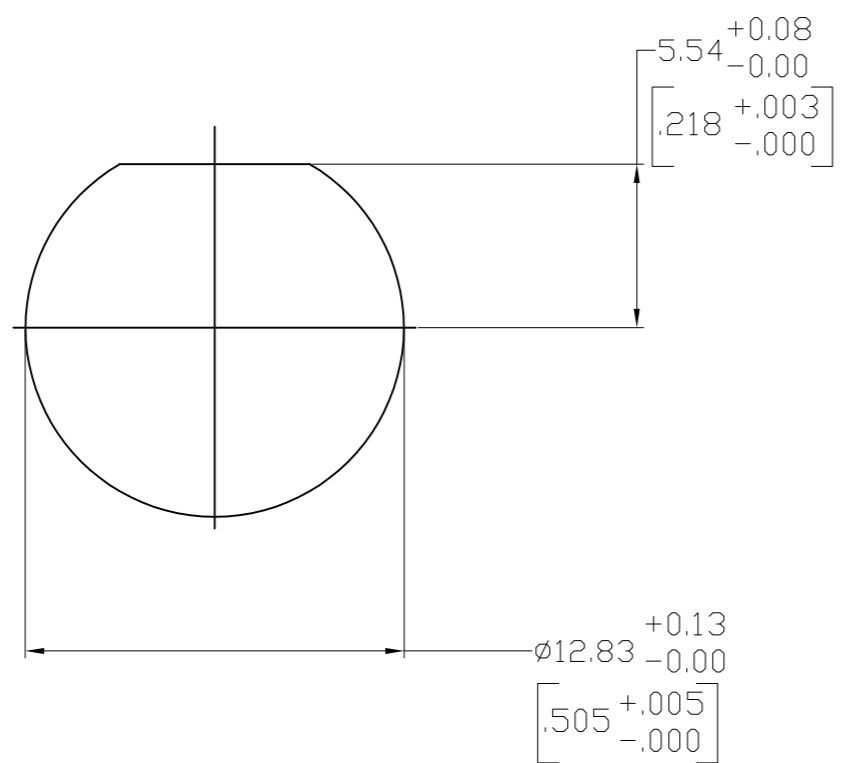


THIS DRAWING IS UNPUBLISHED. RELEASED FOR PUBLICATION  
 © COPYRIGHT - By - ALL RIGHTS RESERVED.

LOC	DIST	REVISIONS			
P	LTR	DESCRIPTION	DATE	DWN	APVD
AJ	16	H1	REVISED PER ECO-11-005030	11MAR11	RK HMR



- 1. PARTS PACKAGED UNASSEMBLED
- 2. PANEL THICKNESS = 6.35 [.250] MAX



RECOMMENDED PANEL CUTOUT  
SCALE 4:1

OBSOLETE	1-329631-2	1-329632-2	228255-1	228226-4	
	1-329631-2	1-329632-2	228255-2	228226-3	
SUPERSEDED BY 228226-1	1-329631-2	1-329632-2	228259-1	228226-2	
	1-329631-2	1-329632-2	228255-1	228226-1	
(3)	JAM NUT QTY=1	(2)	LOCK WASHER QTY=1	(1)	JACK ADAPTOR ASSEMBLY QTY=1
				PART NUMBER	

THIS DRAWING IS A CONTROLLED DOCUMENT.		DWN	M.E. COWHER	12JUN92	<b>TE</b> TE Connectivity
DIMENSIONS: mm		CHK	M. PHILLIPS	22JUN92	
TOLERANCES UNLESS OTHERWISE SPECIFIED:		APVD	M. PHILLIPS	22JUN92	
0 PLC ± - 1 PLC ± - 2 PLC ± - 3 PLC ± - 4 PLC ± - ANGLES ± - FINISH -		PRODUCT SPEC	NAME		
MATERIAL -		APPLICATION SPEC	NAME		JACK - JACK ADAPTOR, BND, BNC
		WEIGHT	-	SIZE	A2
		CUSTOMER DRAWING	SCALE	5:1	SHEET 1 of 1
				DRAWING NO	C=228226
				RESTRICTED TO	-
				REV	H1

## X-ON Electronics

Largest Supplier of Electrical and Electronic Components

*Click to view similar products for [RF Adapters - In Series](#) category:*

*Click to view products by [TE Connectivity](#) manufacturer:*

Other Similar products are found below :

[5916-1103-603](#) [5918-1103-000](#) [5919-1503-000](#) [651A505](#) [82-5552](#) [9030-9523-502](#) [PN2C](#) [A0407000](#) [R114703000W](#) [R125704000](#)  
[R125771001](#) [R141710000W](#) [R141723161](#) [R141730000](#) [R143730700](#) [R143770000](#) [R161703000W](#) [R161753000W](#) [R161791530W](#)  
[R201705000](#) [R222705200](#) [R222M40010W](#) [R316754000](#) [R405006000](#) [R443162000](#) [AD78TL](#) [HRM-513S](#) [1996352-2](#) [2157155-1](#) [252169-75](#)  
[AD158](#) [2101130-1](#) [252186](#) [R114704000W](#) [R114720000W](#) [R125705001](#) [R125705701](#) [R125771000](#) [R125771001W](#) [R125791501W](#)  
[R127704001](#) [R127.870.001](#) [R127872001](#) [R141717000](#) [R142710000](#) [R142723000](#) [R143703000](#) [R143704000](#) [R143705700](#) [R161715000W](#)