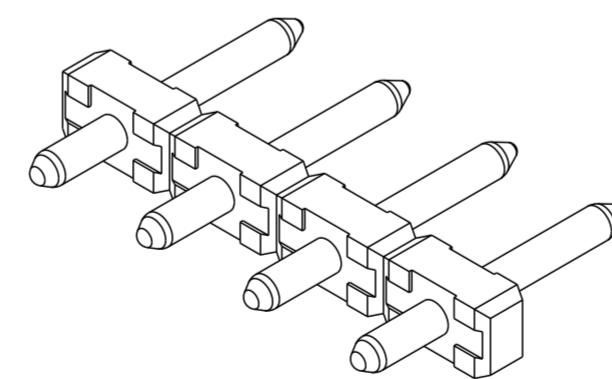
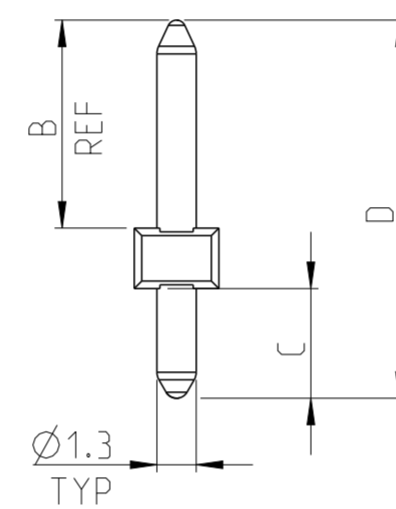
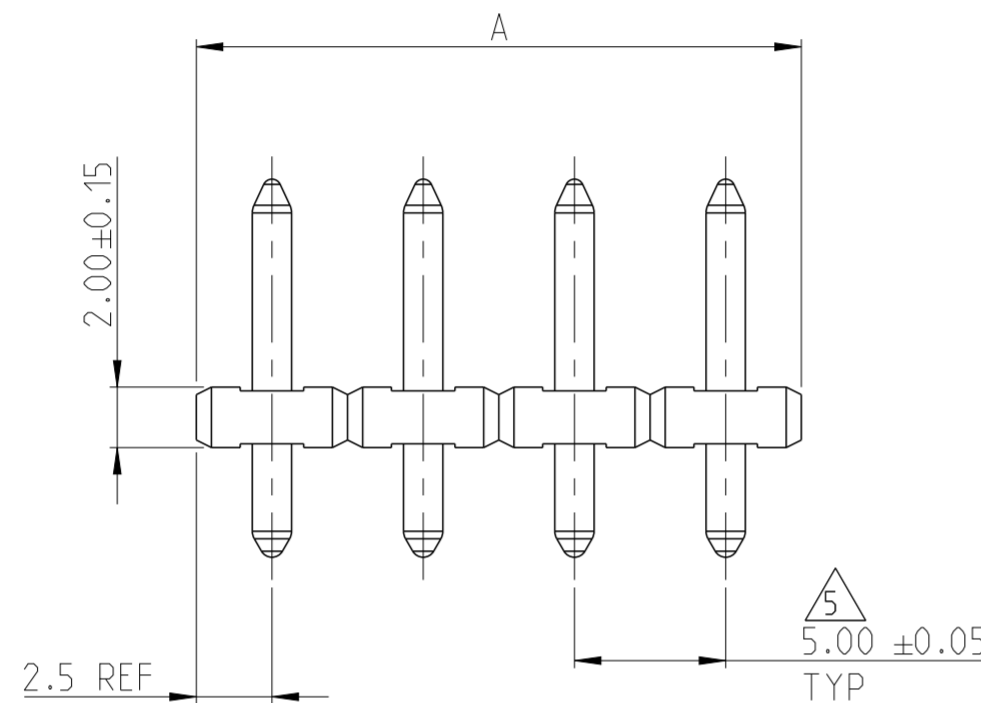
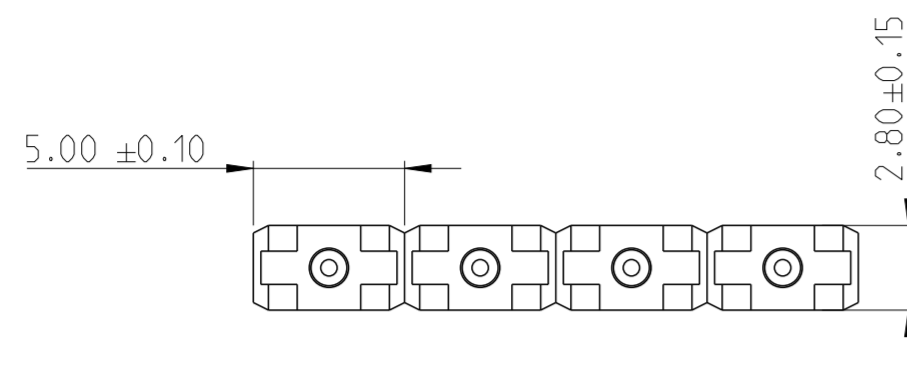
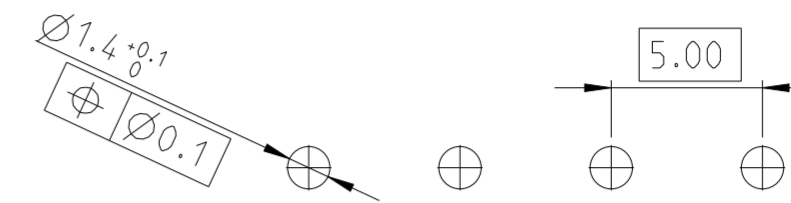


REVISIONS					
P	LTR	DESCRIPTION	DATE	DWN	APVD
	H8	PN 3-282832-9 IS RELEASED FOR PRODUCTION	01JUL2019	RK	PS



282832-4 AS SHOWN



RECOMMENDED PC BOARD LAYOUT

PRELIMINARY	TIN	20.5	3.5	15.0	45.0	9	4-282832-1
	TIN	20.5	4.5	14.0	30.0	6	4-282832-0
	TIN	20.5	3.5	15.0	20.0	4	3-282832-9
PRELIMINARY	TIN	20.5	3.5	15.0	15.0	3	3-282832-8
		16.5	3.5	11.0	20.0	4	3-282832-7
		20.5	4.5	14.0	15.0	3	3-282832-6
OBSOLETE	TIN	21.1		15.6	20.0	4	<del>3-282832-5</del>
					15.0	3	<del>3-282832-4</del>
OBSOLETE	GOLD	16.5		11.0	15.0	3	3-282832-3
					10.0	2	<del>3-282832-2</del>
OBSOLETE		12.5	3.5	7.0	15.0	3	<del>2-282832-7</del>
					125.0	25	<del>2-282832-6</del>
					120.0	24	2-282832-5
					115.0	23	<del>2-282832-4</del>
					110.0	22	<del>2-282832-3</del>
					105.0	21	<del>2-282832-2</del>
					100.0	20	<del>2-282832-1</del>
					95.0	19	<del>2-282832-0</del>
					90.0	18	<del>1-282832-9</del>
					85.0	17	<del>1-282832-8</del>
					80.0	16	1-282832-7
					75.0	15	1-282832-6
					70.0	14	<del>1-282832-5</del>
OBSOLETE	TIN	16.5	3.5	11.0	65.0	13	<del>1-282832-4</del>
					40.0	8	1-282832-3
					60.0	12	1-282832-2
					55.0	11	1-282832-1
					50.0	10	1-282832-0
					45.0	9	282832-9
					40.0	8	282832-8
					35.0	7	282832-7
					30.0	6	282832-6
					25.0	5	282832-5
					20.0	4	282832-4
					15.0	3	282832-3
					10.0	2	282832-2
TERMINAL PLATING		D	C	B	A	NO OF POSN	PART NUMBER

- NOTES:
- MATERIALS AND FINISH:  
HOUSING: PA 4T, UL 94-V0, COLOR GREEN  
TERMINAL: COPPER ALLOY, PLATING: SEE TABLE.
  - MECHANICAL  
MIN. PC BOARD HOLES DIAMETER : 1.4mm  
MAX. PC BOARD THICKNESS : 2.4mm
  - ELECTRICAL  
MAX. VOLTAGE : 300 V  
MAX CURRENT : 12 A  
CONTACT RESISTANCE : < 15 m Ohm  
INSULATION RESISTANCE : > 1000 M Ohm (500V DC)
  - OPERATING TEMPERATURE RANGE: -40°C TO +105°C
  - TOLERANCE NOT CUMULATIVE.
  - END-TO-END STACKABLE WITHOUT LOSS OF CENTERLINE SPACING.
  - RECOGNIZED UNDER THE COMPONENT PROGRAM OF UNDERWRITERS LABORATORIES INC. FILE NO E60677.

THIS DRAWING IS A CONTROLLED DOCUMENT.

DWN: E. ZANDLIN 14 AUG 2001  
CHK: D. BIEVENOUR 14 AUG 2001  
APVD: D. BIEVENOUR 14 AUG 2001

TE Connectivity

NAME: TERMINAL BLOCK PIN HEADER UNSHROUDED 5.0 mm PITCH

SIZE: A2 CAGE CODE: 100779 DRAWING NO: C-282832 RESTRICTED TO: -

MATERIAL: SEE NOTES DIMENSIONS: mm TOLERANCES UNLESS OTHERWISE SPECIFIED: 0 PLC ±, 1 PLC ±0.3, 2 PLC ±0.25, 3 PLC ±, 4 PLC ±, ANGLES ±2°, FINISH: SEE NOTES

PRODUCT SPEC: - APPLICATION SPEC: - WEIGHT: -

CUSTOMER DRAWING SCALE: 4:1 SHEET: 1 OF 1 REV: H8

## X-ON Electronics

Largest Supplier of Electrical and Electronic Components

*Click to view similar products for [Pluggable Terminal Blocks](#) category:*

*Click to view products by [TE Connectivity](#) manufacturer:*

Other Similar products are found below :

[57.510.0053](#) [MC 1.5/ 6-ST-3.5 GY AU](#) [734-104](#) [734-302](#) [8-141-P](#) [8426620000](#) [860505](#) [860516](#) [860810](#) [GBPACX-12](#) [93.731.4953.0](#) [PV05-5,08-K](#) [PVP02-5,00](#) [PVP03-3,50](#) [PVP04-3,50](#) [PVS02-5,00](#) [1-1986160-3](#) [1377680000](#) [1531000000](#) [1546228-5](#) [ELFH16150](#) [ELFP03110](#) [ELFP10210](#) [ELFT06250](#) [ELVP03100](#) [1700101](#) [1700410](#) [1700425](#) [1702246](#) [1705229](#) [1710175](#) [1714537](#) [1717806](#) [1719600](#) [1728941](#) [1734692](#) [1734795](#) [1736036](#) [1740194](#) [1740291](#) [1740628](#) [1740990](#) [1746952](#) [1750207](#) [1752441](#) [1752865](#) [1754115](#) [1754144](#) [1756913](#) [1760051](#)