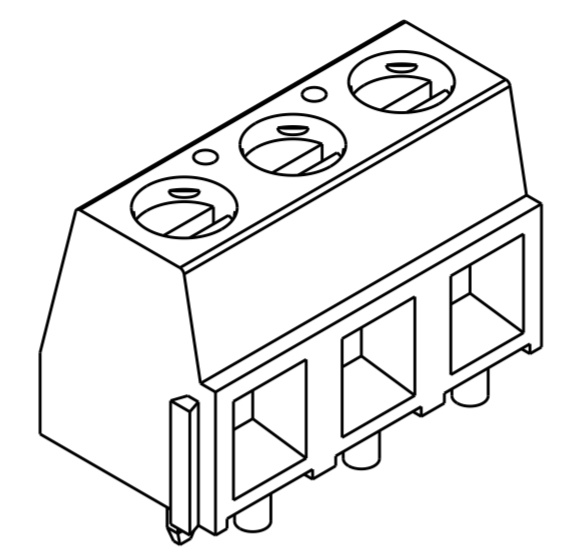
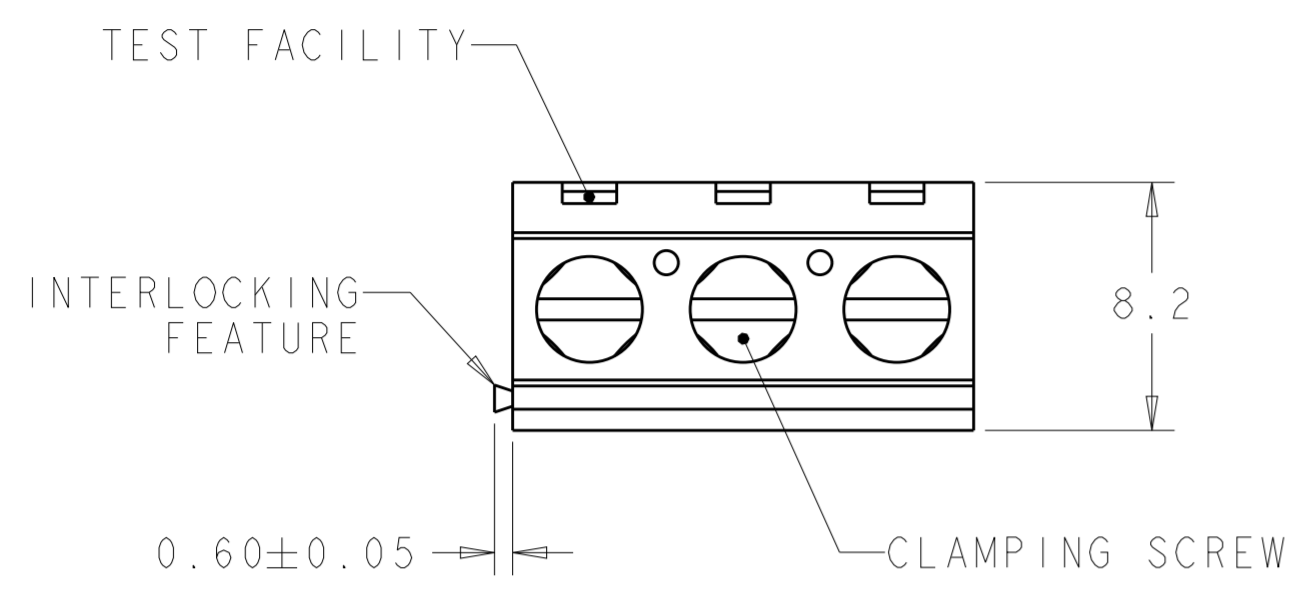
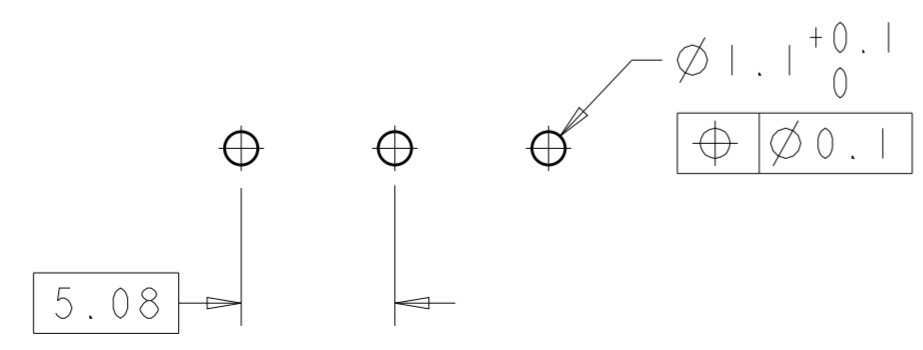
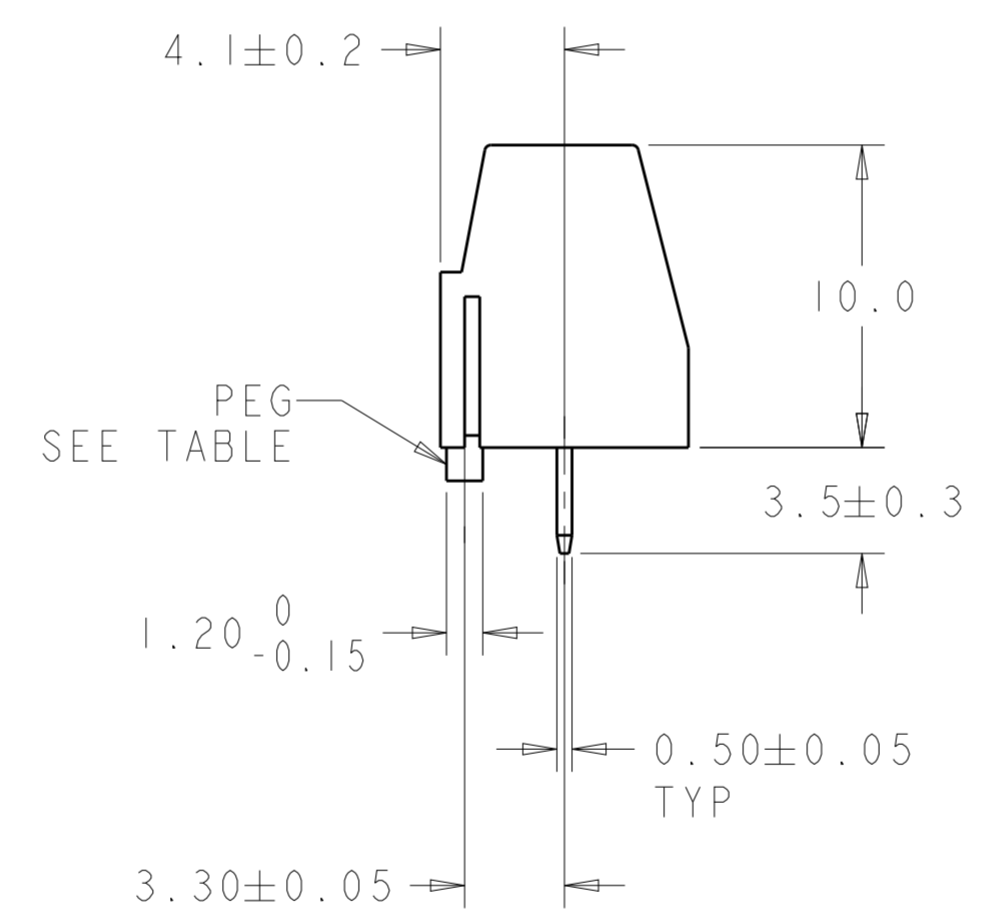
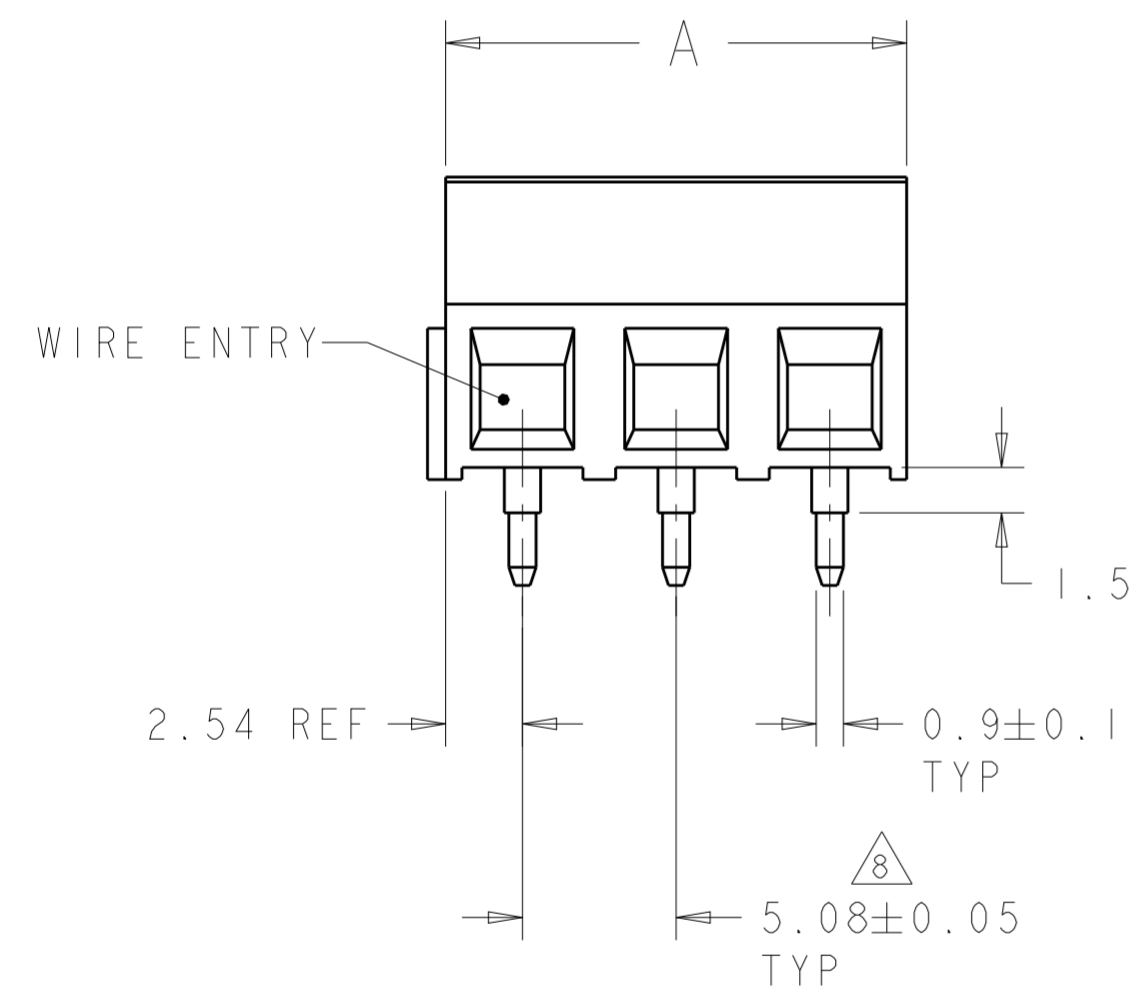


THIS DRAWING IS UNPUBLISHED. RELEASED FOR PUBLICATION 20
 © COPYRIGHT 20 BY - ALL RIGHTS RESERVED.

REVISIONS				
P	LTR	DESCRIPTION	DATE	APVD
	H	PKG IS CHANGED FROM BOX TO TRAY	18JAN2018	RK PS



282837-3 AS SHOWN



RECOMMENDED PC BOARD LAYOUT

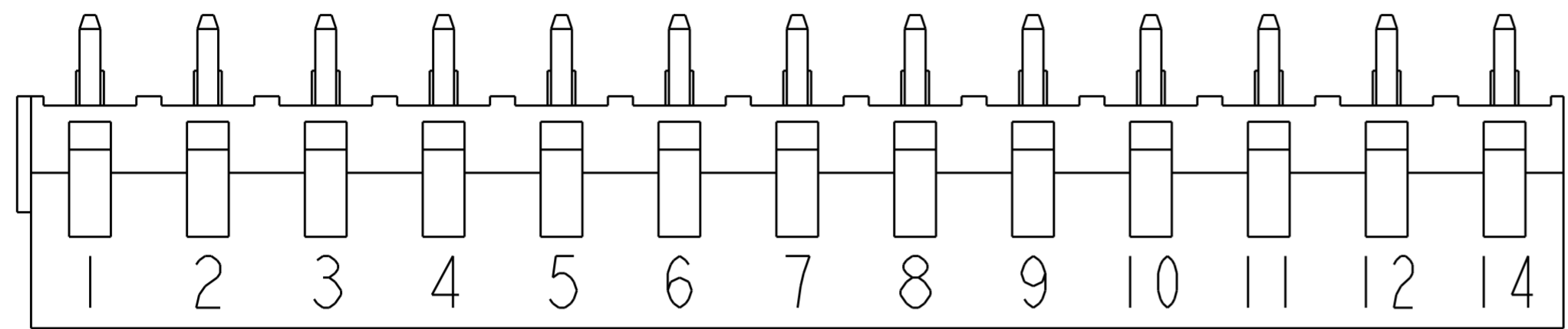
SEE DETAIL B	NO	45.72	9	3-282837-3
SEE DETAIL A	NO	66.04	13	3-282837-2
-	NO	127.00	25	2-282837-5
-	NO	121.92	24	2-282837-4
OBSOLETE	-	116.84	23	2-282837-3
-	NO	111.76	22	2-282837-2
-	NO	106.68	21	2-282837-1
OBSOLETE	-	101.60	20	2-282837-0
-	NO	96.52	19	1-282837-9
-	NO	91.44	18	1-282837-8
OBSOLETE	-	86.36	17	1-282837-7
-	NO	81.28	16	1-282837-6
OBSOLETE	-	76.20	15	1-282837-5
-	NO	71.12	14	1-282837-4
OBSOLETE	-	66.04	13	1-282837-3
-	NO	60.96	12	1-282837-2
-	NO	55.88	11	1-282837-1
-	NO	50.80	10	1-282837-0
-	NO	45.72	9	282837-9
-	NO	40.64	8	282837-8
-	NO	35.56	7	282837-7
-	NO	30.48	6	282837-6
-	NO	25.40	5	282837-5
-	NO	20.32	4	282837-4
-	NO	15.24	3	282837-3
-	NO	10.16	2	282837-2
OBSOLETE	YES	10.16	2	282837-1
MARKING	PEG	A	NO OF POSN	PART NUMBER

THIS DRAWING IS A CONTROLLED DOCUMENT.

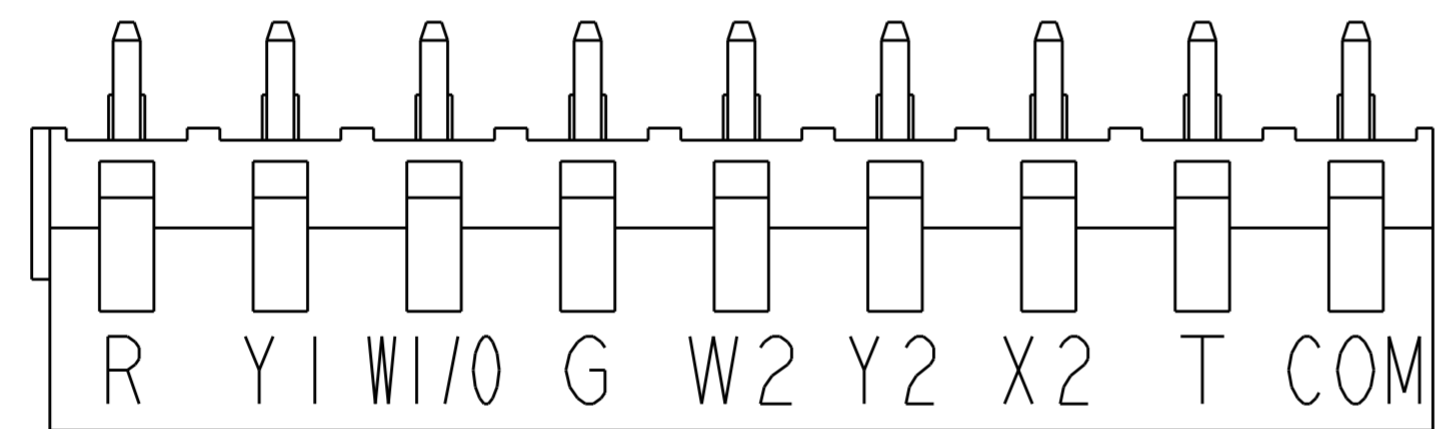
DWN S. WELDON 20MAY2003	 TE Connectivity																			
CHK C. RICHARD 20MAY2003																				
APVD C. RICHARD 20MAY2003																				
PRODUCT SPEC 108-20166																				
MATERIAL	NAME	SIZE	CAGE CODE	DRAWING NO	RESTRICTED TO															
<table border="1"> <tr> <td>0 PLC ±-</td> <td>1 PLC ±.3</td> <td>2 PLC ±.25</td> <td>3 PLC ±-</td> <td>4 PLC ±-</td> </tr> <tr> <td colspan="5">ANGLES ±2</td> </tr> <tr> <td colspan="5">FINISH</td> </tr> </table>	0 PLC ±-	1 PLC ±.3	2 PLC ±.25	3 PLC ±-	4 PLC ±-	ANGLES ±2					FINISH					TERMINAL BLOCK, PCB MOUNT SIDE ENTRY WIRE, STACKING W/INTERLOCK, 5.08mm PITCH	A2	00779	C-282837	-
0 PLC ±-	1 PLC ±.3	2 PLC ±.25	3 PLC ±-	4 PLC ±-																
ANGLES ±2																				
FINISH																				
CUSTOMER DRAWING	SCALE	4:1	SHEET	1 OF 2	REV H															

THIS DRAWING IS UNPUBLISHED. RELEASED FOR PUBLICATION 20
 © COPYRIGHT 20 BY - ALL RIGHTS RESERVED.

REVISIONS				
P	LTR	DESCRIPTION	DATE	APVD
-		SEE SHEET 1	-	-



9
DETAIL A



9
DETAIL B

NOTES:

- 1. MATERIALS AND FINISH
 HOUSING: PA 6-6, UL 94-V0, COLOR GREEN.
 CLAMP: BRASS, NICKEL PLATED.
 TERMINAL: BRASS, TIN PLATED.
 CLAMPING SCREW: M3, BRASS, NICKEL PLATED.
- 2. MECHANICAL
 WIRE STRIPPING LENGTH : 5.0-6.0 mm
 MIN. PCB BOARD HOLES DIAMETER : 1.1 mm
 MAX. PCB BOARD THICKNESS : 2.4 mm
 RECOMMENDED TIGHTENING TORQUE FOR SCREW: 0.5 Nm.
- 3. ELECTRICAL
 WIRE RANGE : 16-30 AWG.
 MAX. VOLTAGE : 300 V
 MAX CURRENT : 13.5 A
 CONTACT RESISTANCE : <15 m Ohm
 INSULATION RESISTANCE : >1000 M Ohm (500V DC)
- 4. OPERATING TEMPERATURE RANGE: -40°C TO +110°C
- 5. END-TO-END STACKABLE W/INTERLOCK WITHOUT LOSS OF CENTERLINE SPACING.
- 6. PACKED IN TRAY.
- 7. RECOGNIZED UNDER THE COMPONENT PROGRAM OF UNDERWRITERS LABORATORIES INC., FILE NO E60677.
- 8. NOT CUMULATIVE TOLERANCE.
- 9. CHARACTERS INK MARKED BLACK.

THIS DRAWING IS A CONTROLLED DOCUMENT.		DWN S. WELDON 20MAY2003	TE Connectivity	
DIMENSIONS: mm		CHK C. RICHARD 20MAY2003		
TOLERANCES UNLESS OTHERWISE SPECIFIED:		APVD C. RICHARD 20MAY2003	NAME TERMINAL BLOCK, PCB MOUNT SIDE ENTRY WIRE, STACKING W/INTERLOCK, 5.08mm PITCH	
0 PLC ±-		PRODUCT SPEC 108-20166	SIZE A2	CAGE CODE 00779
1 PLC ±.3		APPLICATION SPEC 114-20079	DRAWING NO C-282837	RESTRICTED TO -
2 PLC ±.25		WEIGHT -	SCALE 4:1	SHEET 2 OF 2
3 PLC ±-		CUSTOMER DRAWING	REV H	
4 PLC ±-				
ANGLES ±2				
FINISH				

X-ON Electronics

Largest Supplier of Electrical and Electronic Components

Click to view similar products for [Fixed Terminal Blocks](#) category:

Click to view products by [TE Connectivity](#) manufacturer:

Other Similar products are found below :

[MBE-1512](#) [MBE-154](#) [MBE-156](#) [MBES-153](#) [MBES-156](#) [MH-2512](#) [MHE-132](#) [MHE-163](#) [MI-254 \(35\)](#) [MI-272](#) [880507](#) [MPT-275](#)
[15602-04-08-21](#) [ELM023100](#) [BA311TU](#) [BA411SU](#) [MV-152](#) [MV-252-D](#) [MV-253/NCNOC](#) [MV-254-D](#) [MV-255](#) [MV-462](#) [MV-493](#) [MVE-](#)
[252](#) [MVE-253](#) [MVE-273](#) [MVEB-153](#) [1700096](#) [1705142](#) [1712417](#) [1713020](#) [1713088](#) [1745195](#) [1760594](#) [1776118-2](#) [1790852](#) [1-796689-8](#)
[1-796692-6](#) [1800001](#) [1800114](#) [1995279](#) [20020314-C121B01LF](#) [20020316-G041B01LF](#) [CB2-12](#) [KP03215000J0G](#) [KP04215000J0G](#) [S451](#)
[282802-2](#) [29.007](#) [29.116](#)