

4

3

2

1

THIS DRAWING IS UNPUBLISHED.

RELEASED FOR PUBLICATION

20

© COPYRIGHT 20

ALL RIGHTS RESERVED.

ES

REVISIONS

P	LTR	DESCRIPTION	DATE	DWN	APVD
	A	INITIAL RELEASE	15JUL2016	W.Z	X.X

15.50

11.95

NOTES:

① MATERIAL: COPPER ALLOY


② FINISH: 2.0 MICRON MIN. TIN OVER NICKLE UNDERPLATED.

③ FINISH: GOLD FLASH PLATING ON CONTACT MATING AREA. TIN PLATING ON CRIMP AREA AND ALL NICKLE UNDERPLATED.

4. SEE TABLE FOR ALL THE PART NUMBERS.

Ø 1.52

1000 PCS/REEL	③	1.60-2.0	18-22 AWG	2-2834068-3
10,000 PCS/REEL	③	1.60-2.0	18-22 AWG	1-2834068-3
1000 PCS/REEL	②	1.60-2.0	18-22 AWG	2-2834068-2
10,000 PCS/REEL	②	1.60-2.0	18-22 AWG	1-2834068-2
PACKAGE Q'TY	FINISH	INSULATION DIAMETER RANGE	WIRE RANGE	PART NO

THIS DRAWING IS A CONTROLLED DOCUMENT.		DWN	15JULY2016	 TE Connectivity NAME PIN CONTACT MINIATURE WATERPROOF CONNECTOR	
DIMENSIONS: mm		CHK	15JULY2016		
TOLERANCES UNLESS OTHERWISE SPECIFIED: ± 0.3		APVD	15JULY2016		
0-PLC ± 1-PLC ± 2-PLC ± 3-PLC ± 4-PLC ± ANGLES ±5°		PRODUCT SPEC	108-137093		
MATERIAL	FINISH	APPLICATION SPEC	114-137093	SIZE	A3
		WEIGHT	-	CAGE CODE	00779
		CUSTOMER DRAWING		DRAWING NO	C-2834068
				RESTRICTED TO	-
				SCALE	10:1
				SHEET	1 OF 2
				REV	A

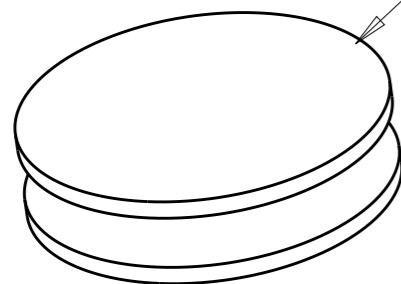
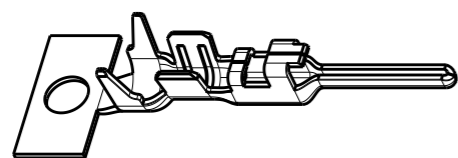
1470-19 (3/13)

REVISIONS

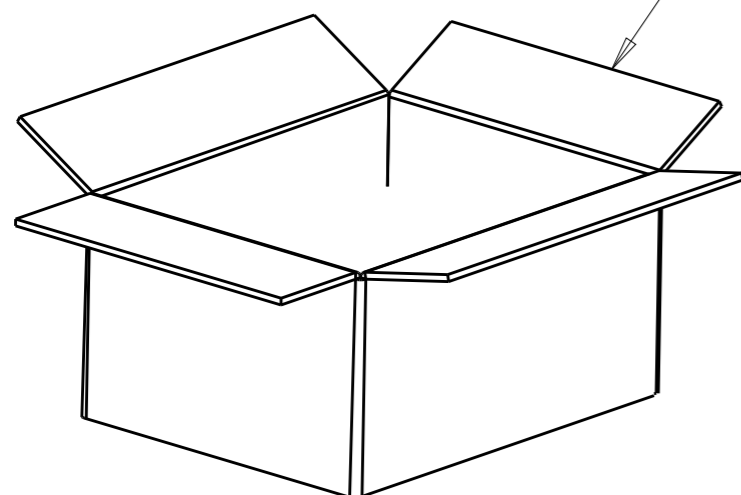
P	LTR	DESCRIPTION	DATE	DWN	APVD
		SEE SHEET 1			

PACKAGE PART NUMBER LIST:

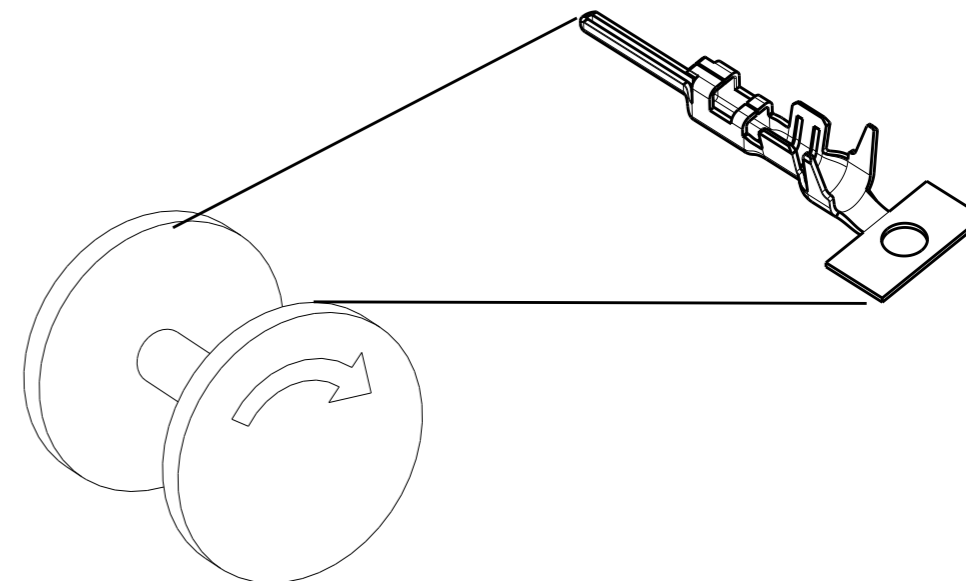
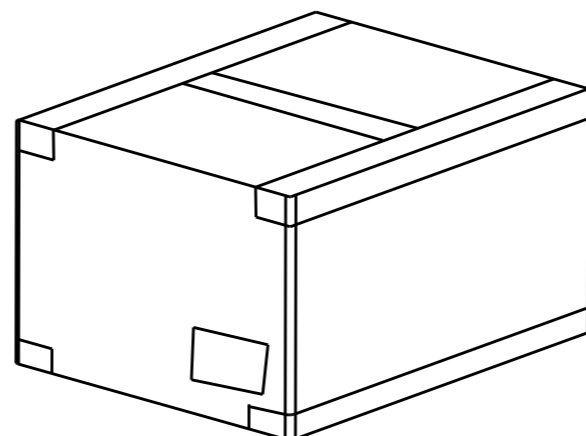
1-2834068-2, 2-2834068-2, 1-2834068-3, 2-2834068-3,



REEL





CARTON



CONTACT WITH PLATING

- NOTE:
1. PUT PARTS IN THE REEL AS STAMPING&PLATING PROCESS.
  2. PUT PACKED REEL INTO CARTON.
  3. SEAL THE CARTON
  4. PACKAGING QUANTITY: SEE TABLE.
  5. PACKAGING SPEC : 107-137093.

PART NUMBER	PARTS PER REEL	REELS PER CARTON	PARTS PER CARTON
1-2834068-2	10,000 PCS	4	40,000 PCS
2-2834068-2	1000 PCS	3	3,000 PCS
1-2834068-3	10,000 PCS	4	40,000 PCS
2-2834068-3	1000 PCS	3	3,000 PCS

THIS DRAWING IS A CONTROLLED DOCUMENT.		DWN 15JULY2016 ZHANG WEI	 TE Connectivity			
DIMENSIONS: mm		CHK 15JULY2016 SHI MING			NAME	
		APVD 15JULY2016 XU XIANG			PIN CONTACT MINIATURE WATERPROOF CONNECTOR	
TOLERANCES UNLESS OTHERWISE SPECIFIED: ± 0.3		PRODUCT SPEC 108-137093	SIZE	CAGE CODE	DRAWING NO	RESTRICTED TO
0-PLC ±		APPLICATION SPEC 114-137093	A3	00779	©-2834068	-
1-PLC ±		WEIGHT	SCALE 10:1			
2-PLC ±		CUSTOMER DRAWING	SHEET 2 OF 2			
3-PLC ±			REV A			
4-PLC ±						
ANGLES ± 5°						
FINISH						
MATERIAL						

## X-ON Electronics

Largest Supplier of Electrical and Electronic Components

*Click to view similar products for [Lighting Connectors](#) category:*

*Click to view products by [TE Connectivity](#) manufacturer:*

Other Similar products are found below :

[293300-7](#) [293660-5](#) [CNX\\_H03\\_NTP](#) [30-9767-BU](#) [3605](#) [3-21030-1](#) [ZCH-110-RGB-I](#) [503471-0290](#) [ZCH-110-RGB-J](#) [217-0716-200](#)  
[1954563-1](#) [1-293657-2](#) [2834036-1](#) [2834037-1](#) [1-2213222-4](#) [2-2213222-4](#) [2213222-4](#) [2834122-3](#) [2834122-5](#) [2834135-2](#) [FLA-R4142-30](#)  
[FLA-R4162-30](#) [FLA-R2142-30](#) [FLA-R2141-30](#) [FLA-R2162-30](#) [FLA-R2161-30](#) [FLA-R0161-30](#) [FLA-R0141-30](#) [FLA-R0162-30](#) [FLA-C00-](#)  
[00](#) [DGA00010553](#) [CNXV04NTP](#) [104128-0610](#) [503485-0000 \(Cut Strip\)](#) [503485-0000 \(Loose Piece\)](#) [503485-0000 \(MINI Reel\)](#) [1-2834074-2](#)  
[1-2834074-3](#) [1357-AC PLUG W2C \(CHINA\)](#) [1357-AC PLUG W2 \(USA\)](#) [104266-0110](#) [2106212-1](#) [2-2834074-2](#) [104266-0210](#) [293470-1](#)  
[293651-2](#) [293651-4](#) [1-2834006-2](#) [293651-1](#) [2213142-3](#)