

4

3

2

1

THIS DRAWING IS UNPUBLISHED.

RELEASED FOR PUBLICATION

20

© COPYRIGHT 20

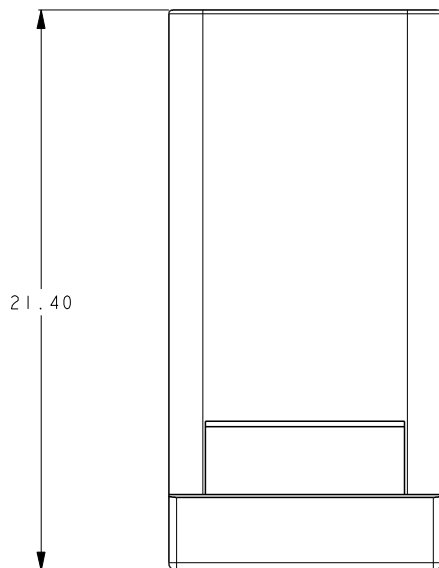
ALL RIGHTS RESERVED.

ES

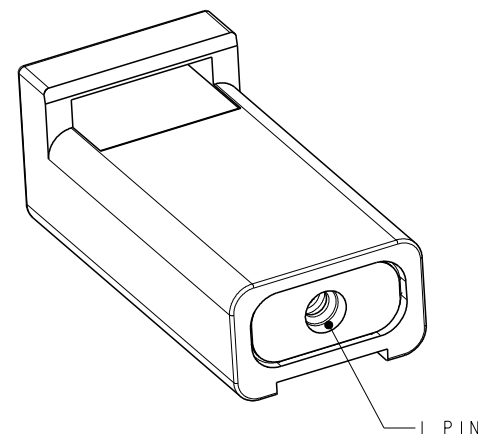
REVISIONS

P	LTR	DESCRIPTION	DATE	DWN	APVD
A		INITIAL RELEASE	25JUL2016	Z.W	X.X
B		ADD NEW I POS PART NUMBERS	20JUN2017	Z.W	S.M
C		UPDATE PACKAGE SPEC	2JAN2018	Z.W	S.M

D

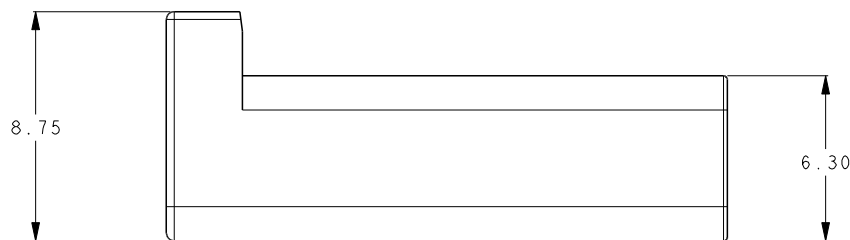
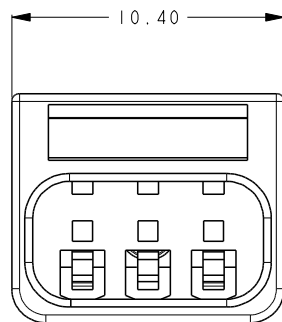


C



D

B




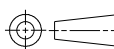
C

GRAY	I	4-2834075-1
RED	I	3-2834075-1
BLACK	I	2-2834075-1
WHITE	I	1-2834075-1
COLOR	NO OF POSN	PART NUMBER

B

A

- NOTES:
- MATERIAL: HOUSING: THERMOPLASTIC, UL94-V0. SEAL: RUBBER.
  - PN: SEE TABLE
  - PACKAGING: TRAY.
  - PACKAGING SPEC: 107-137093.

THIS DRAWING IS A CONTROLLED DOCUMENT.		DWN	15JULY2016	 <b>TE Connectivity</b>												
DIMENSIONS: mm		CHK	15JULY2016													
TOLERANCES UNLESS OTHERWISE SPECIFIED: ±0.5		APVD	15JULY2016													
<table border="1"> <tr><td>0-PLC</td><td>±</td></tr> <tr><td>1-PLC</td><td>±</td></tr> <tr><td>2-PLC</td><td>±</td></tr> <tr><td>3-PLC</td><td>±</td></tr> <tr><td>4-PLC</td><td>±</td></tr> <tr><td>ANGLES</td><td>±5°</td></tr> </table>		0-PLC	±			1-PLC	±	2-PLC	±	3-PLC	±	4-PLC	±	ANGLES	±5°	NAME
0-PLC	±															
1-PLC	±															
2-PLC	±															
3-PLC	±															
4-PLC	±															
ANGLES	±5°															
MATERIAL		PRODUCT SPEC	108-137093		SIZE	CAGE CODE	DRAWING NO	RESTRICTED TO								
FINISH		APPLICATION SPEC	114-137093		A300779		C=2834075	-								
		WEIGHT	-		SCALE	5:1	SHEET	1 OF 4								
		CUSTOMER DRAWING			REV	C										

4

3

2

1

THIS DRAWING IS UNPUBLISHED.

RELEASED FOR PUBLICATION

20

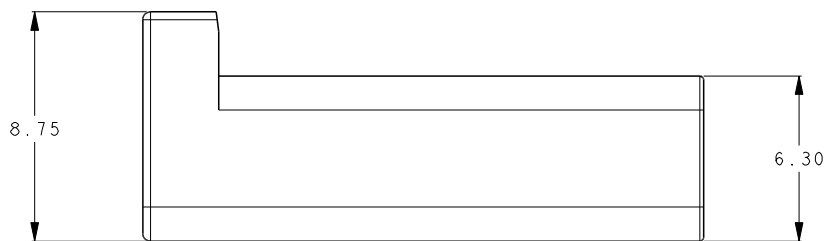
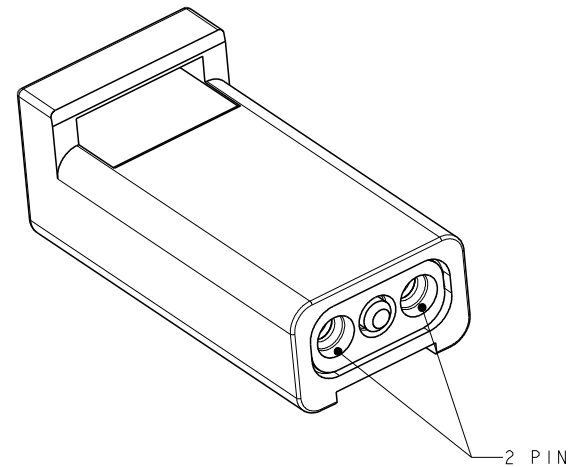
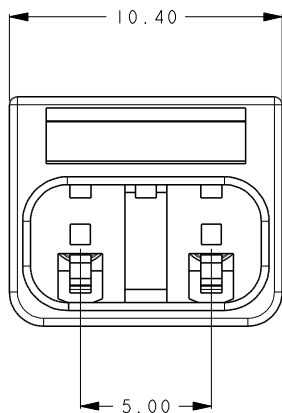
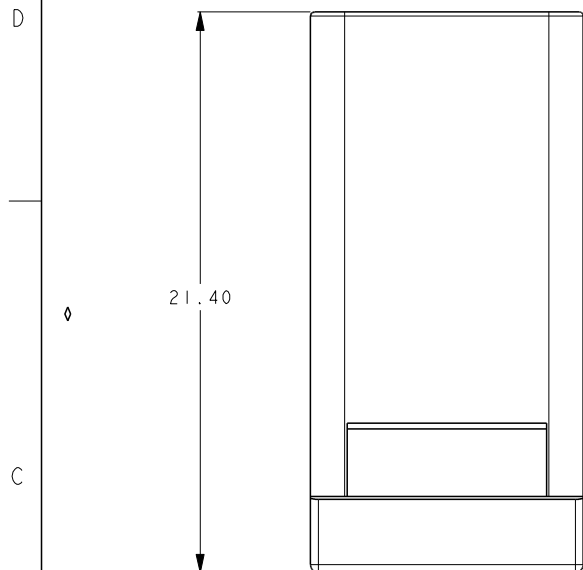
© COPYRIGHT 20

ALL RIGHTS RESERVED.

ES


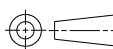

REVISIONS

P	LTR	DESCRIPTION	DATE	DWN	APVD
		SEE SHEET 1			



GRAY	2	4-2834075-2
RED	2	3-2834075-2
BLACK	2	2-2834075-2
WHITE	2	1-2834075-2
COLOR	NO OF POSN	PART NUMBER

- NOTES:  
 1. MATERIAL:  
 HOUSING: THERMOPLASTIC, UL94-V0.  
 SEAL: RUBBER.  
 2. PN: SEE TABLE  
 3. PACKAGING: TRAY.  
 4. PACKAGING SPEC: 107-137093.

THIS DRAWING IS A CONTROLLED DOCUMENT.		DWN	15 JULY 2016	 <b>TE Connectivity</b>	
DIMENSIONS: mm		CHK	15 JULY 2016		
TOLERANCES UNLESS OTHERWISE SPECIFIED: ±0.5		APVD	15 JULY 2016		
		NAME	XU XIANG		
MATERIAL		PRODUCT SPEC	108-137093	RECEPTACLE MINIATURE WATERPROOF CONN.	
FINISH		APPLICATION SPEC	114-137093	SIZE	RESTRICTED TO
		WEIGHT	-	CAGE CODE	DRAWING NO
		CUSTOMER DRAWING		A300779	C=2834075
		SCALE 5:1		SHEET 2 OF 4	REV C

4

3

2

1

THIS DRAWING IS UNPUBLISHED.

RELEASED FOR PUBLICATION

20

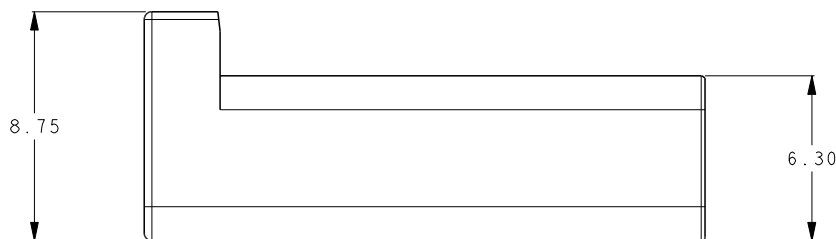
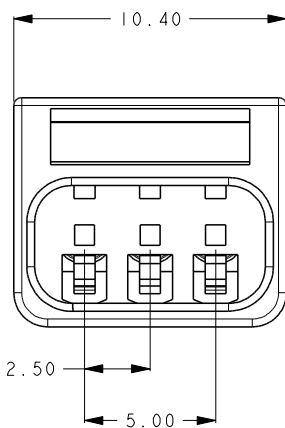
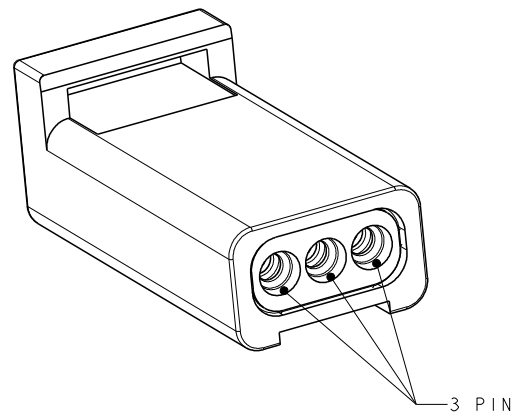
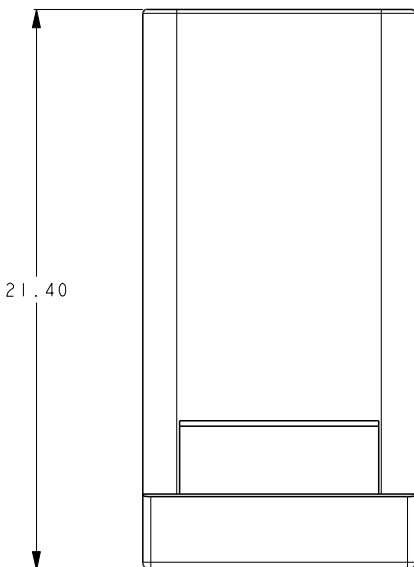
© COPYRIGHT 20

ALL RIGHTS RESERVED.

ES

REVISIONS

P	LTR	DESCRIPTION	DATE	DWN	APVD
		SEE SHEET 1			



GRAY	3	4-2834075-3
RED	3	3-2834075-3
BLACK	3	2-2834075-3
WHITE	3	1-2834075-3
COLOR	NO OF POSN	PART NUMBER

NOTES:

- MATERIAL: HOUSING: THERMOPLASTIC, UL94-V0. SEAL: RUBBER.
- PN: SEE TABLE
- PACKAGING: TRAY.
- PACKAGING SPEC: 107-137093.

THIS DRAWING IS A CONTROLLED DOCUMENT.

DIMENSIONS: mm	TOLERANCES UNLESS OTHERWISE SPECIFIED: ± 0.5
	0-PLC ±
	1-PLC ±
	2-PLC ±
	3-PLC ±
	4-PLC ±
	ANGLES ±5°
MATERIAL	FINISH
	-

DWN	15 JULY 2016	ZHANG WEI
CHK	15 JULY 2016	SHI MING
APVD	15 JULY 2016	XU XIANG
PRODUCT SPEC	108-137093	
APPLICATION SPEC	114-137093	
WEIGHT	-	
CUSTOMER DRAWING		

**STE** TE Connectivity

RECEPTACLE  
MINIATURE WATERPROOF CONN.

SIZE	CAGE CODE	DRAWING NO	RESTRICTED TO
A3	00779	C=2834075	-
SCALE	SHEET	OF	REV
5:1	3	4	C

THIS DRAWING IS UNPUBLISHED.

RELEASED FOR PUBLICATION

20

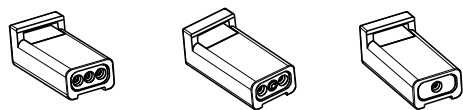
© COPYRIGHT 20

ALL RIGHTS RESERVED.

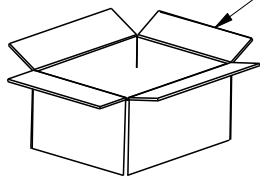
ES

REVISIONS

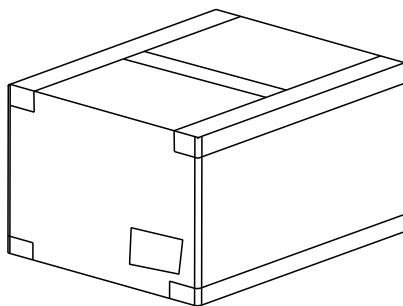
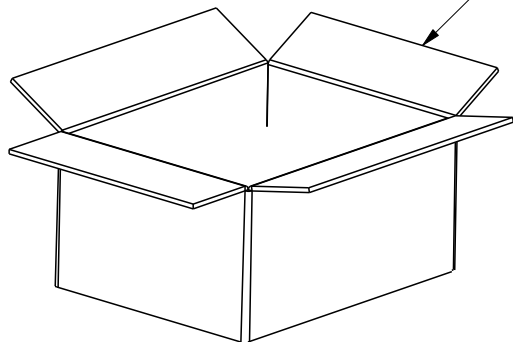
P	LTR	DESCRIPTION	DATE	DWN	APVD
		SEE SHEET 1			



TRAY



INNER CARTON



OUTER CARTON

- NOTE:
- 1. PUT PARTS IN THE TRAY.
  - 2. PUT 5 PACKED TRAYS INTO ONE INNER CARTON. PUT 4 INNER CARTONS INTO ONE OUTER CARTON. TOTAL 20 PACKED TRAYS.
  - 3. SEAL THE CARTON
  - 4. PACKAGING QUANTITY: SEE TABLE.
  - 5. PACKAGING SPEC : 107-137093.

©

PART NUMBER	PARTS PER TRAY	TRAYS PER INNER CARTON	PARTS PER INNER CARTON	TRAYS PER OUTER CARTON	PARTS PER OUTER CARTON
1-2834075-1	288 PCS	5	1440 PCS	20	5760 PCS
2-2834075-1	288 PCS	5	1440 PCS	20	5760 PCS
3-2834075-1	288 PCS	5	1440 PCS	20	5760 PCS
4-2834075-1	288 PCS	5	1440 PCS	20	5760 PCS
1-2834075-2	288 PCS	5	1440 PCS	20	5760 PCS
2-2834075-2	288 PCS	5	1440 PCS	20	5760 PCS
3-2834075-2	288 PCS	5	1440 PCS	20	5760 PCS
4-2834075-2	288 PCS	5	1440 PCS	20	5760 PCS
1-2834075-3	288 PCS	5	1440 PCS	20	5760 PCS
2-2834075-3	288 PCS	5	1440 PCS	20	5760 PCS
3-2834075-3	288 PCS	5	1440 PCS	20	5760 PCS
4-2834075-3	288 PCS	5	1440 PCS	20	5760 PCS

THIS DRAWING IS A CONTROLLED DOCUMENT.

DIMENSIONS: mm		TOLERANCES UNLESS OTHERWISE SPECIFIED: ± 0.5	
	0-PLC	±	
	1-PLC	±	
	2-PLC	±	
	3-PLC	±	
	4-PLC	±	
MATERIAL		FINISH	

DWN	15JULY2016 ZHANG WEI
CHK	15JULY2016 SHI MING
APVD	15JULY2016 XU XIANG
PRODUCT SPEC	108-137093
APPLICATION SPEC	114-137093
WEIGHT	-
CUSTOMER DRAWING	



RECEPTACLE  
MINIATURE WATERPROOF CONNECTOR

NAME			
SIZE	CAGE CODE	DRAWING NO	RESTRICTED TO
A300779	©=2834074		-
SCALE 5:1		SHEET 4 OF 4	REV C

## X-ON Electronics

Largest Supplier of Electrical and Electronic Components

*Click to view similar products for [Modular Connectors / Ethernet Connectors](#) category:*

*Click to view products by [TE Connectivity](#) manufacturer:*

Other Similar products are found below :

[8949-H88/06BLKA/SN](#) [74441-0010/BKN](#) [MP1010RX-1000](#) [MP44RX-1000](#) [PHJ-4P4C-1-V-4](#) [PHP-6P6C-5](#) [GAX-3-66](#) [GAX-8-62](#) [GDCX-PA-66-50](#) [GDCX-PN-64](#) [GDCX-PN-66](#) [GDCX-PN-66-50](#) [GDLX-A-66](#) [GDLX-N-66](#) [GDLX-S-66](#) [GDLX-S-88K](#) [GDLX-SMT-S-88](#) [GDTX-S-88-50](#) [GDX-PA-1010](#) [GLX-N-1010M-BLK](#) [GLX-S-88M-BLK](#) [GMX-N-1010](#) [GMX-S-1010](#) [GMX-S-66](#) [GMX-SMT4-N-88](#) [GPX-2-64](#) [GSGX-N-2-88](#) [GSGX-N-4-88](#) [GSX-NS2-88-3.05](#) [GSX-NS2-88-3.05-50](#) [GSX-NS-88-3.05-50](#) [PT-108A-8C-UL](#) [PT-J951-8C](#) [PTS-J531-8CS-50UL](#) [1-1775629-2](#) [A-2014-0-4](#) [GWLX-S-88-GR](#) [GWLX-S9-88-YG](#) [DC-1021-8-WH-6](#) [1300530003](#) [1324640-4](#) [RJ11FTVC2G](#) [RJ11FTVC2N](#) [RJFTVX2SA1G](#) [132764-001](#) [1413235](#) [MP88X-1000](#) [MPS88RX-5000](#) [E5288-S000K3-L](#) [E5908-15A242-L](#)