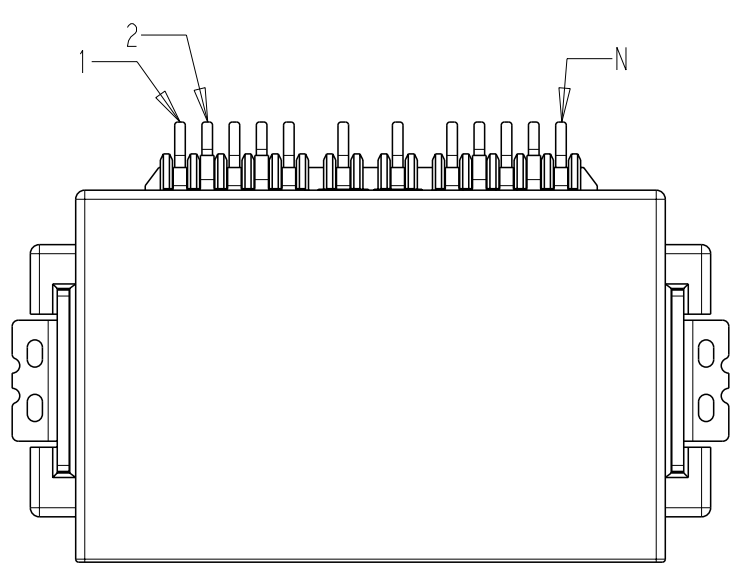
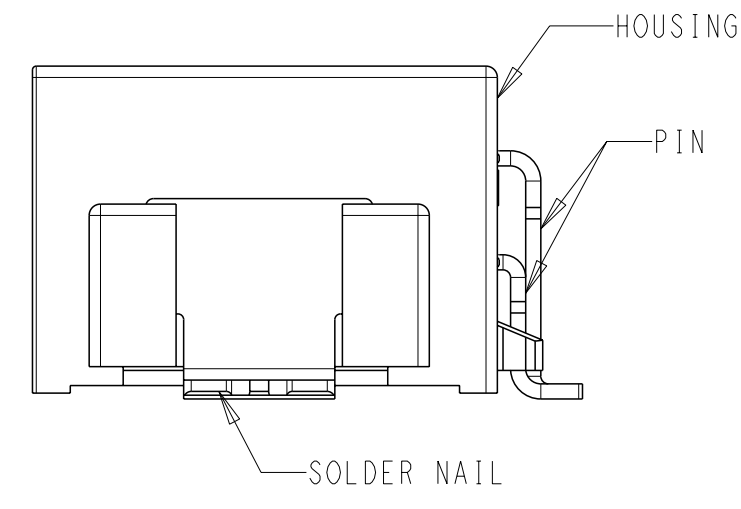
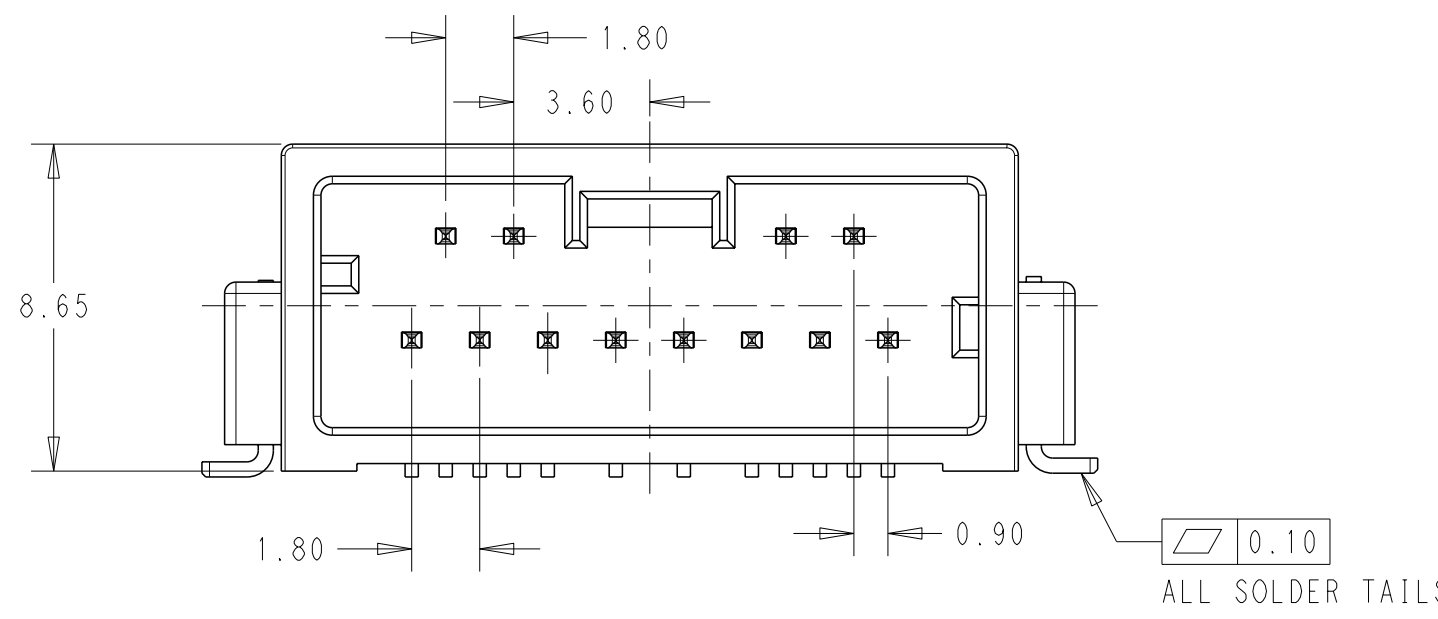
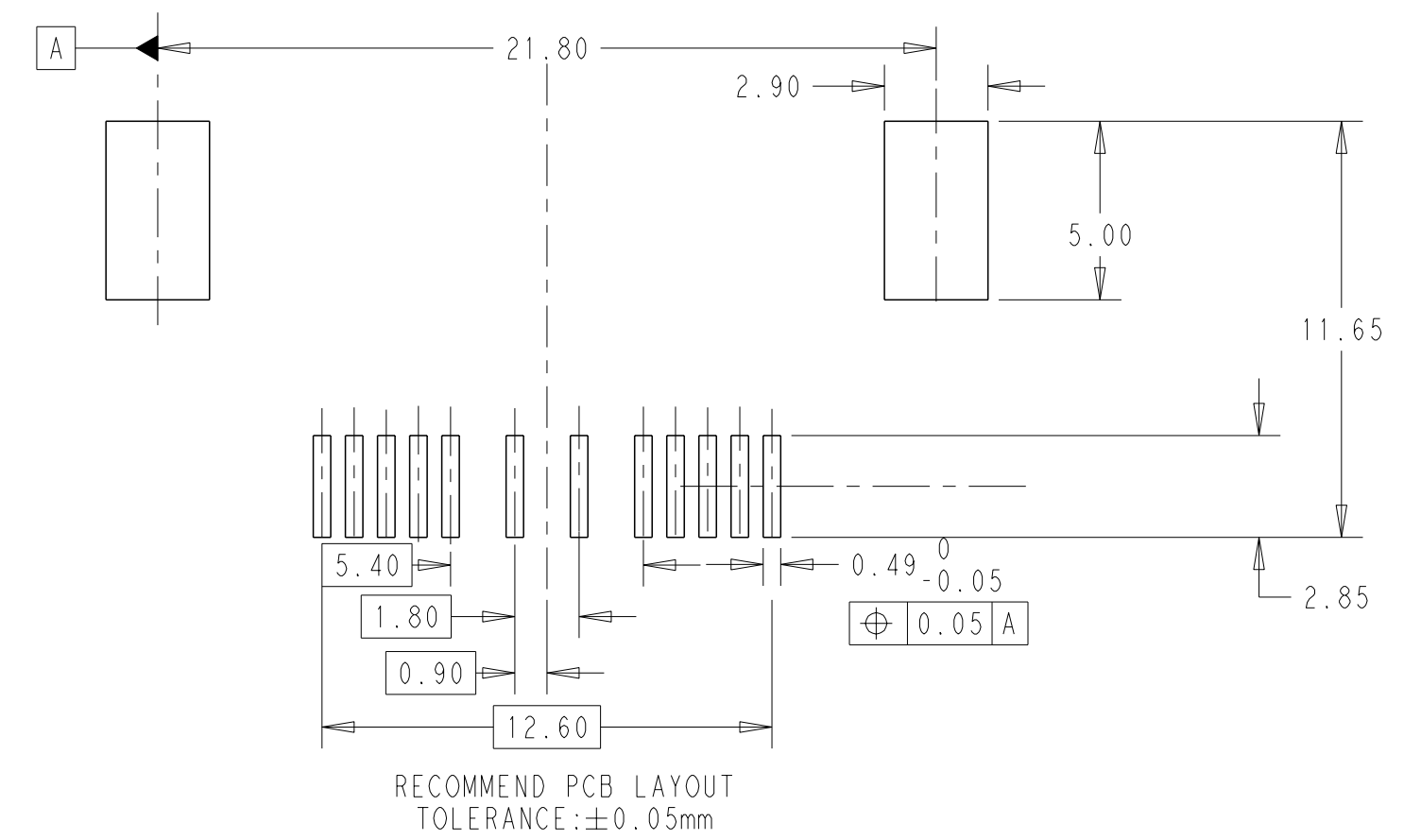
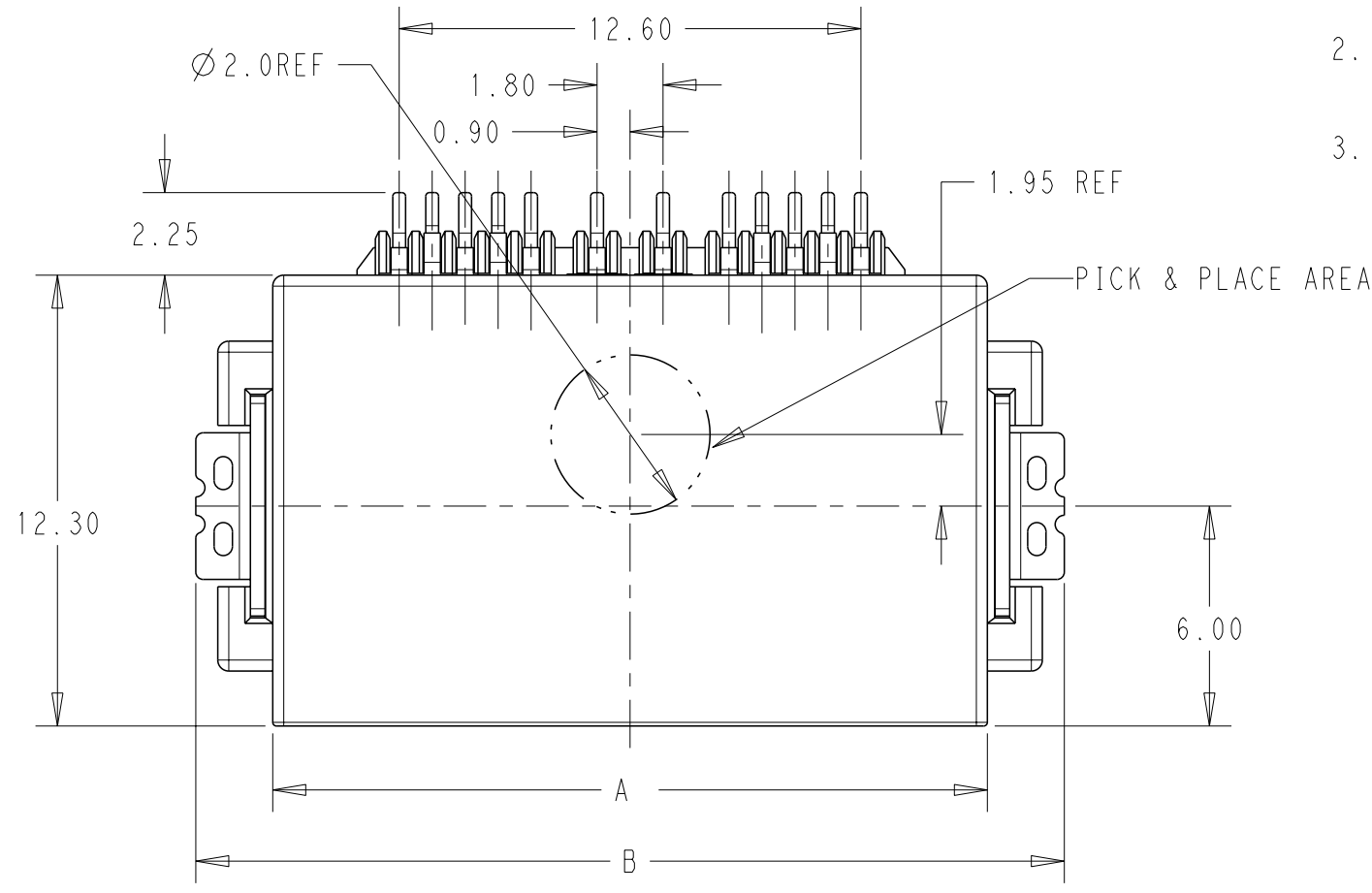


THIS DRAWING IS UNPUBLISHED. RELEASED FOR PUBLICATION 20  
 © COPYRIGHT 20 BY - ALL RIGHTS RESERVED.

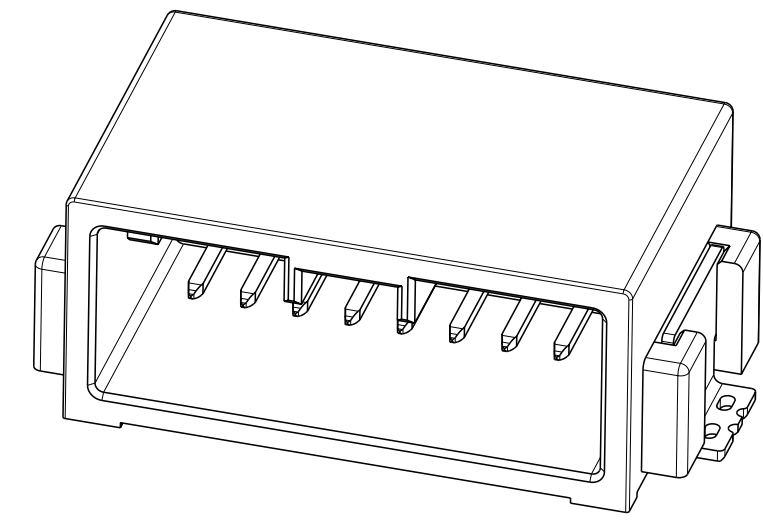
REVISIONS				
P	LTR	DESCRIPTION	DATE	APVD
A		ECR-21-123282	07DEC2021	F.F M.S
B		ECR-22-131698	08MAR2022	F.F M.S

NOTES :

- MATERIAL:  
 HOUSING: HIGH TEMPERATURE THERMO PLASTIC, COLOR BLACK.  
 PIN: COPPER ALLOY.  
 SOLDER NAIL: BRASS.
- FINISH:  
 PIN: TIN PLATING OVER NICKEL PLATING OVERALL.  
 SOLDER NAIL: TIN PLATING OVER NICKEL PLATING OVERALL.
- PACKAGED IN TAPE AND REEL INSIDE OF CARTON.



PIN DEFINITION AS SHOWN,  
 N MEANS MAX POSITIONS:  
 FOR EXAMPLE: N=12, PN IS 1-2834465-2



AS SHOWN: 1-2834465-2

52.50	48.30	44	4-2834499-4	4-2834465-4
48.90	44.70	40	4-2834499-0	4-2834465-0
45.30	41.10	36	3-2834499-6	3-2834465-6
41.70	37.50	32	3-2834499-2	3-2834465-2
38.10	33.90	28	2-2834499-8	2-2834465-8
34.50	30.30	24	2-2834499-4	2-2834465-4
30.90	26.70	20	2-2834499-0	2-2834465-0
27.30	23.10	16	1-2834499-6	1-2834465-6
23.70	19.50	12	1-2834499-2	1-2834465-2
DIMENSION B	DIMENSION A	POSITION	PN (Y KEY)	PN (X KEY)

THIS DRAWING IS A CONTROLLED DOCUMENT.

DWN: FRANK FAN 01MAR2021  
 CHK: GEORGE FU 01MAR2021  
 APVD: MING SHI 01MAR2021

TE Connectivity

NAME: MINIDYNAMIC HEADER  
 1.8 MM PITCH SMT TYPE

PRODUCT SPEC: 108-137443  
 APPLICATION SPEC: -

MATERIAL: -  
 DIMENSIONS: mm  
 TOLERANCES UNLESS OTHERWISE SPECIFIED:  
 0 PLC ±  
 1 PLC ±  
 2 PLC ±0.25  
 3 PLC ±  
 4 PLC ±  
 ANGLES ±  
 FINISH -

WEIGHT: -

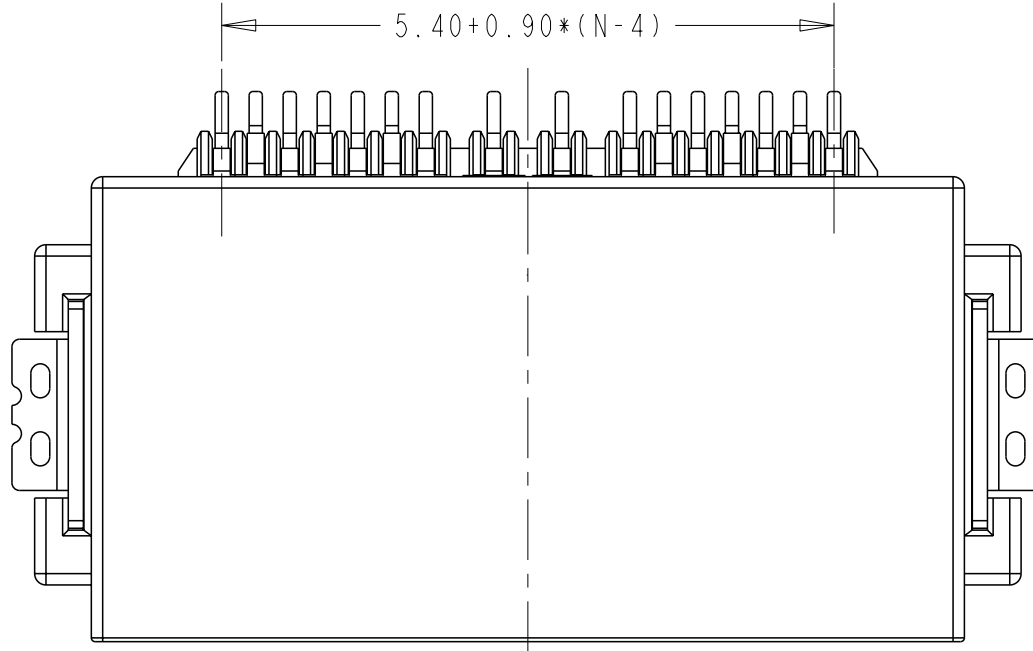
CUSTOMER DRAWING

SCALE: 4:1  
 SHEET: 1 OF 4  
 REV: B

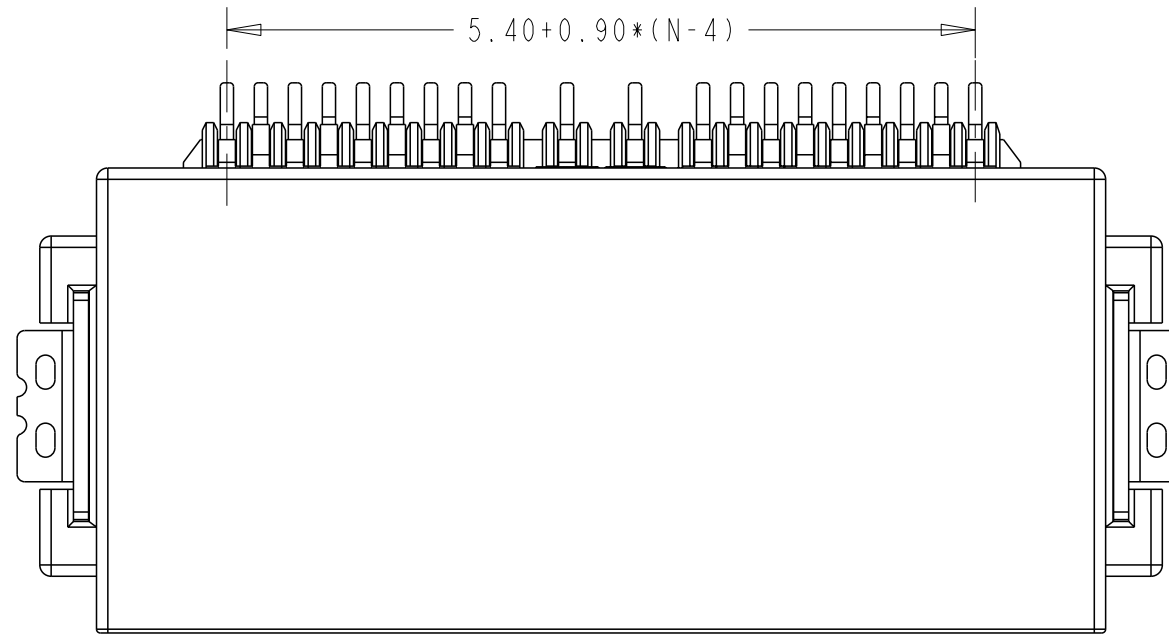
Printed on 8 Mar 2022 11:54 (China Standard Time) from TE310617

THIS DRAWING IS UNPUBLISHED. RELEASED FOR PUBLICATION 20  
 © COPYRIGHT 20 BY - ALL RIGHTS RESERVED.

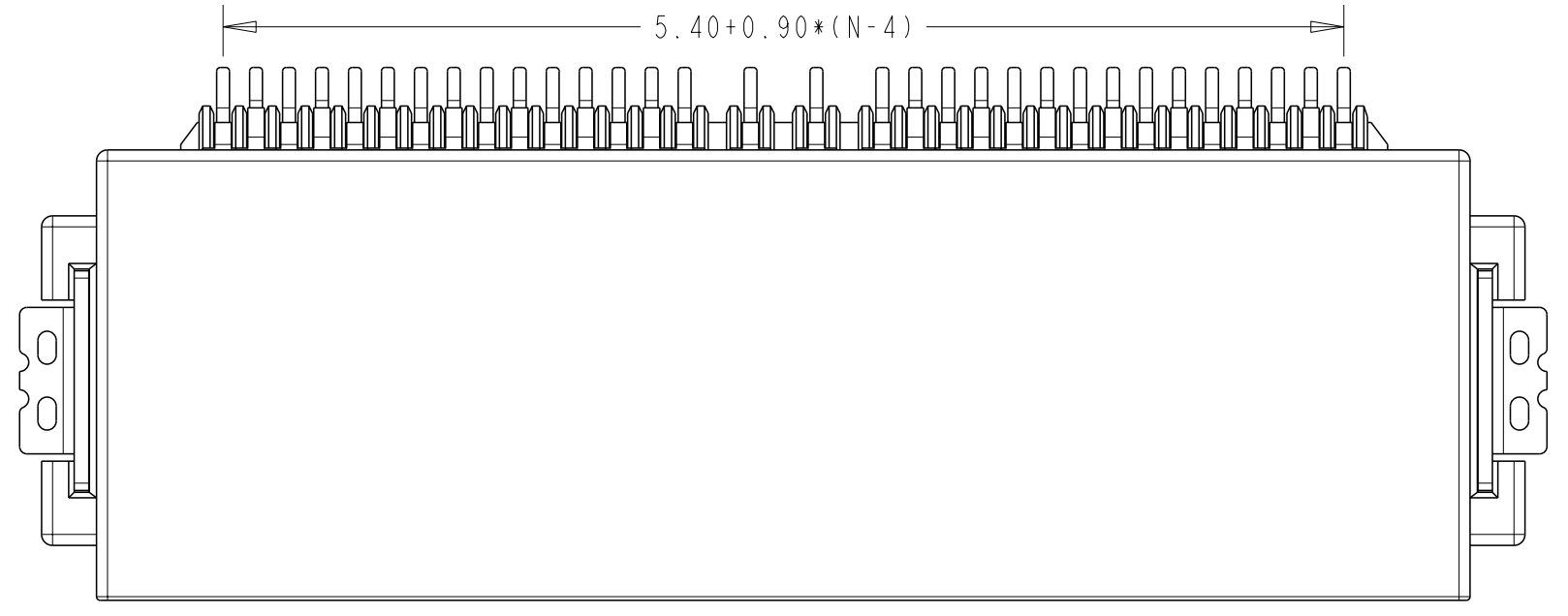
REVISIONS				
P	LTR	DESCRIPTION	DATE	APVD
		SEE SHEET 1		



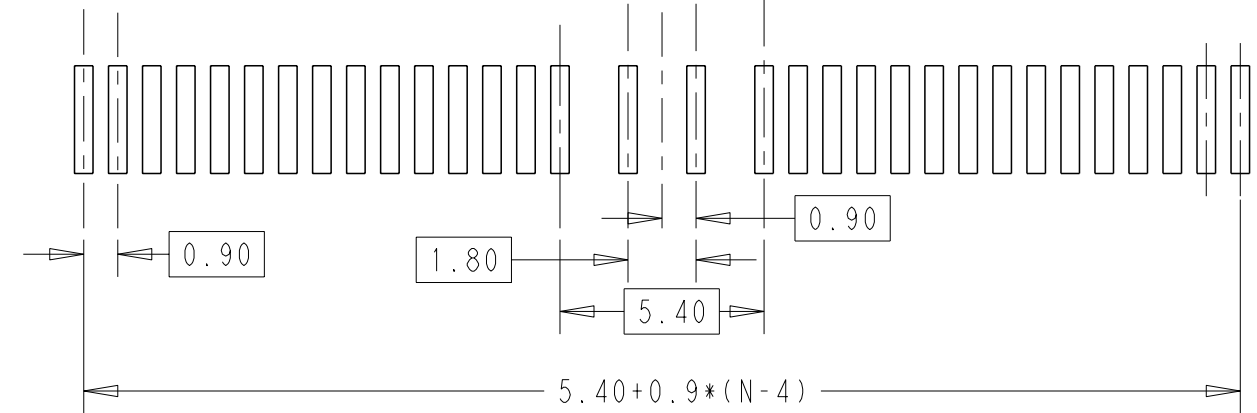
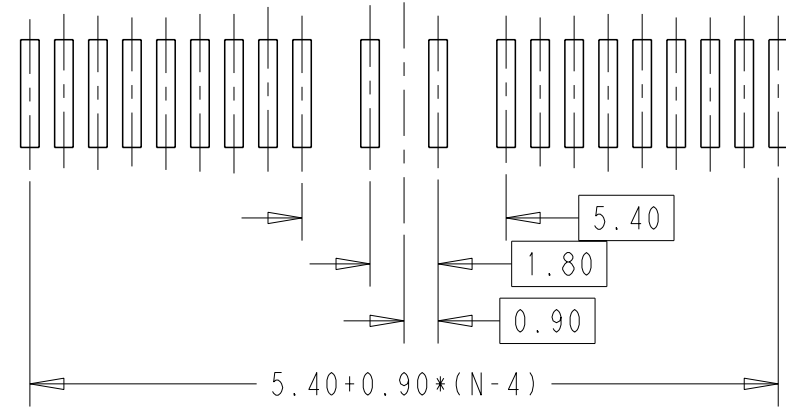
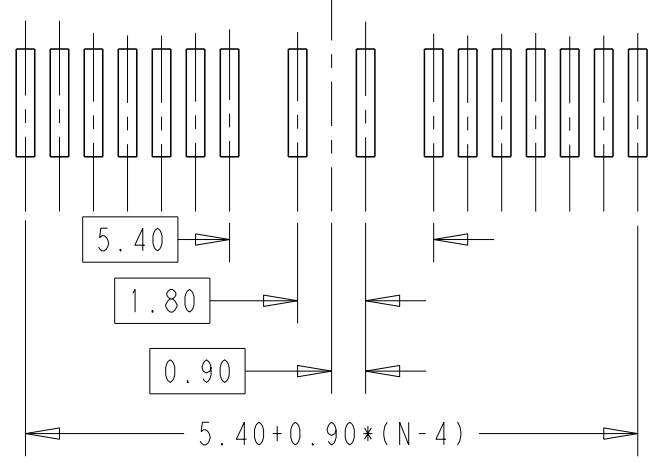
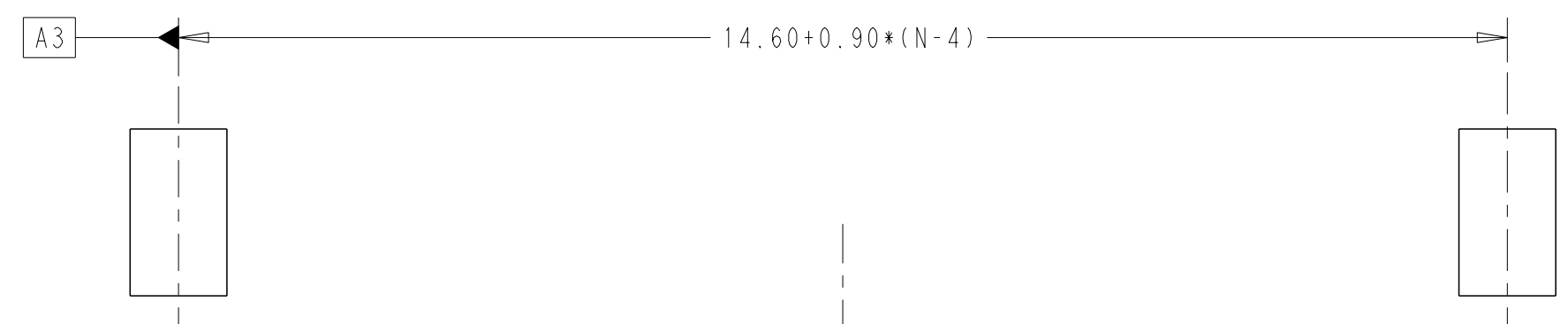
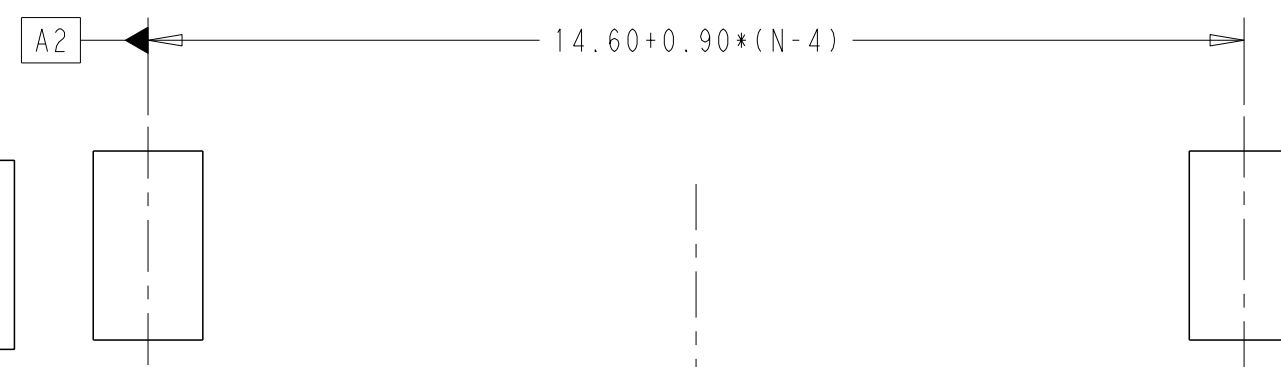
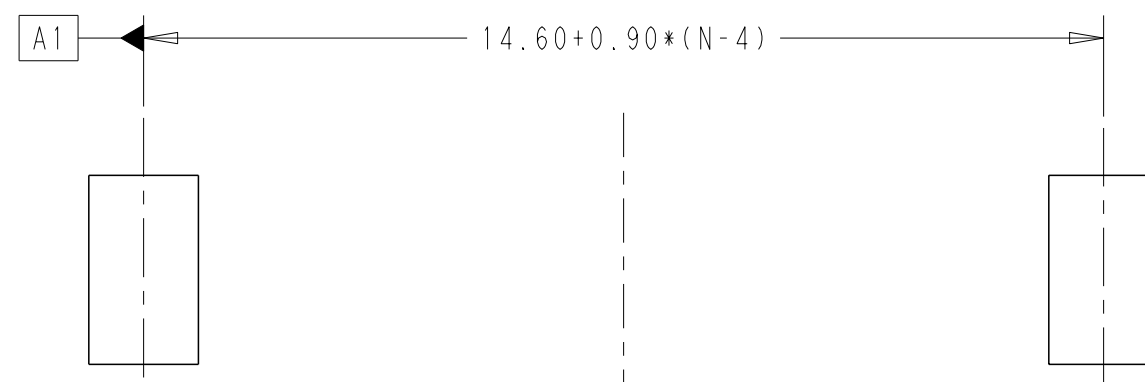
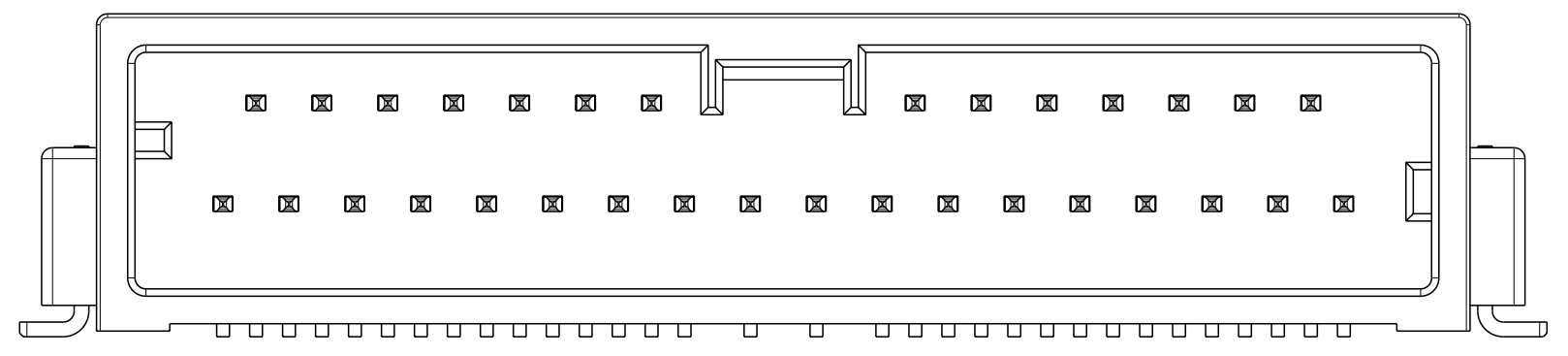
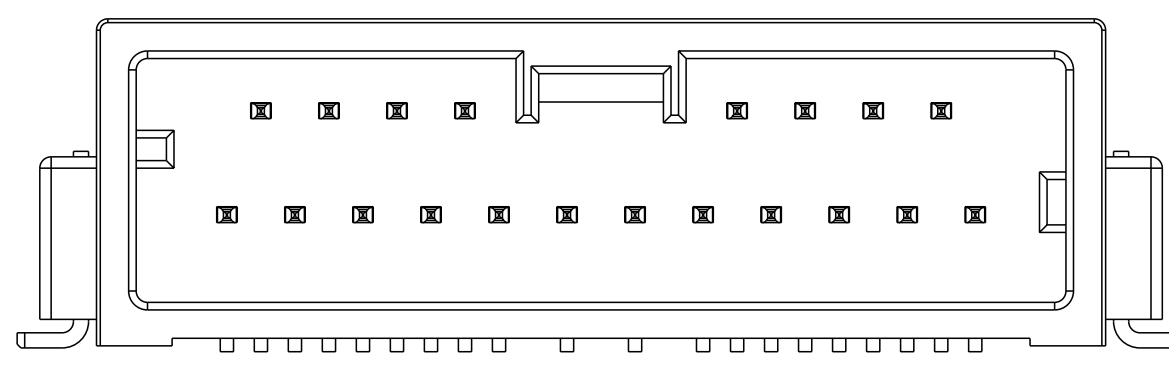
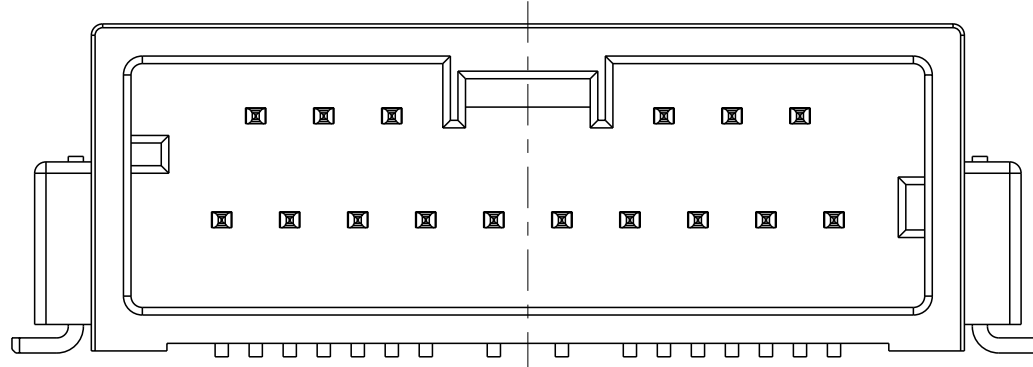
1-2834465-6




2-2834465-0



3-2834465-2

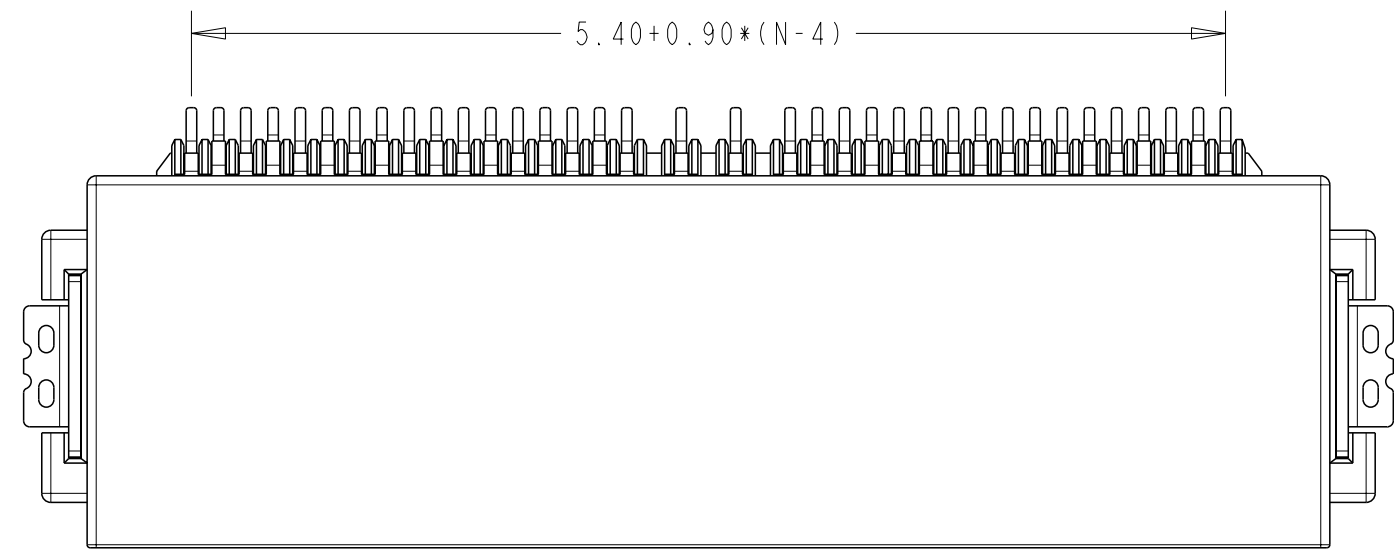


THIS DRAWING IS A CONTROLLED DOCUMENT.		DWN FRANK FAN 01MAR2021	 TE Connectivity	
DIMENSIONS: mm		CHK GEORGE FU 01MAR2021		
TOLERANCES UNLESS OTHERWISE SPECIFIED:		APVD MING SHI 01MAR2021	NAME MINIDYNAMIC HEADER 1.8 MM PITCH SMT TYPE	
0 PLC ±		PRODUCT SPEC 108-137443	SIZE A2	
1 PLC ±		APPLICATION SPEC	CAGE CODE	DRAWING NO
2 PLC ±0.25		WEIGHT	-	C-2834465
3 PLC ±		CUSTOMER DRAWING	SCALE 4:1	SHEET 2 OF 4
4 PLC ±				REV B
ANGLES ±				
FINISH				

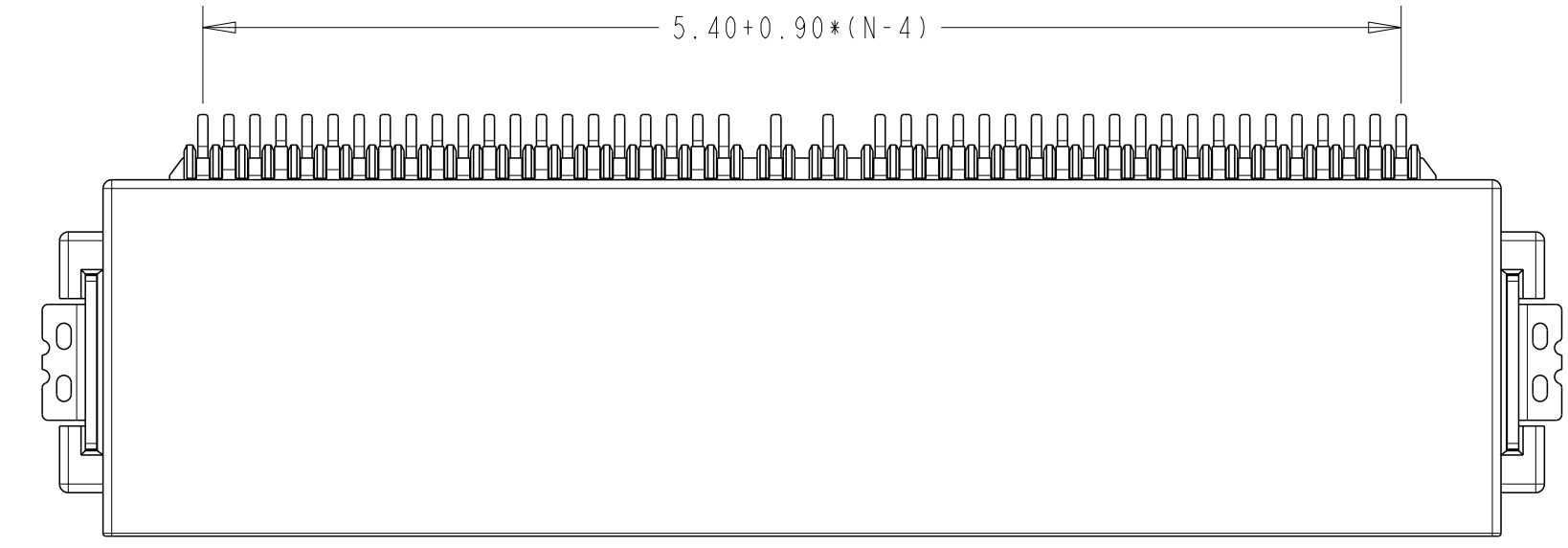
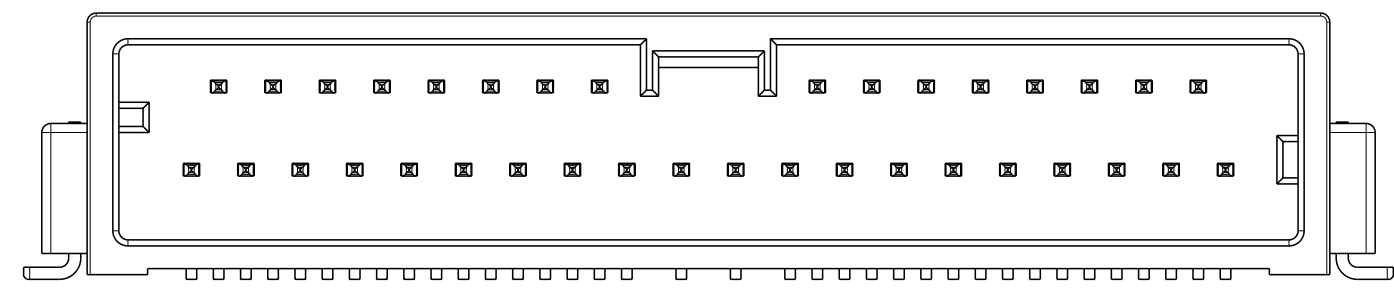
printed on 8 Mar 2022 11:54 (China Standard Time) from TE310617

THIS DRAWING IS UNPUBLISHED. RELEASED FOR PUBLICATION 20  
 © COPYRIGHT 20 BY - ALL RIGHTS RESERVED.

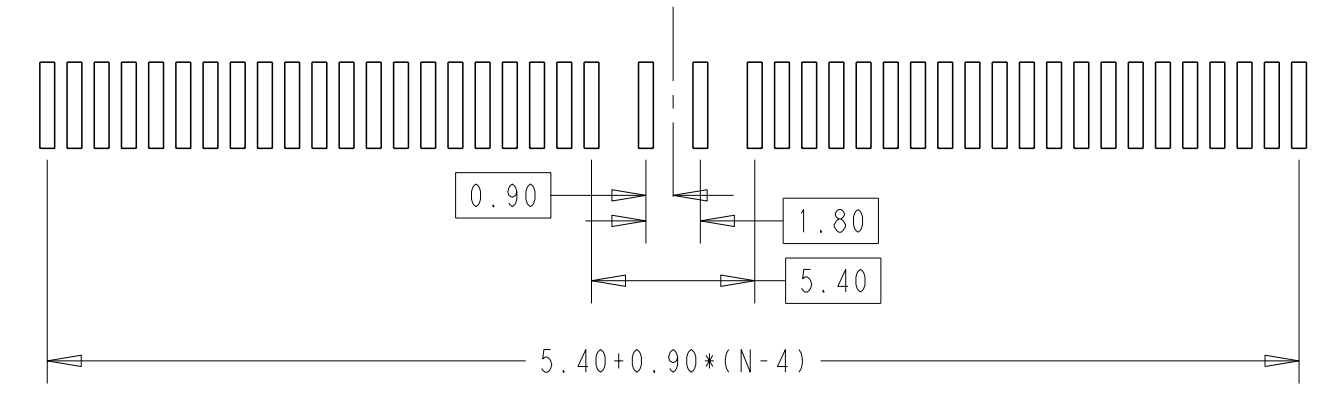
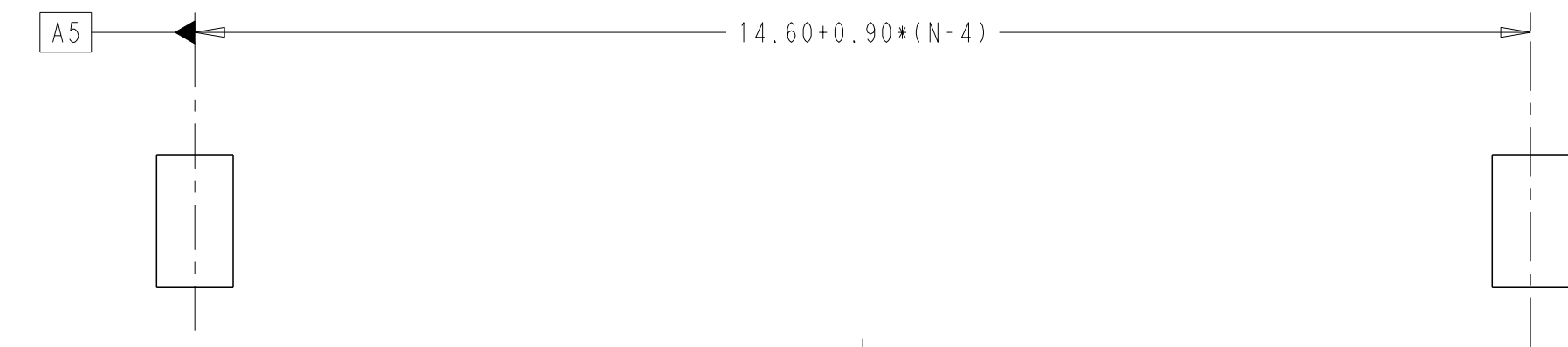
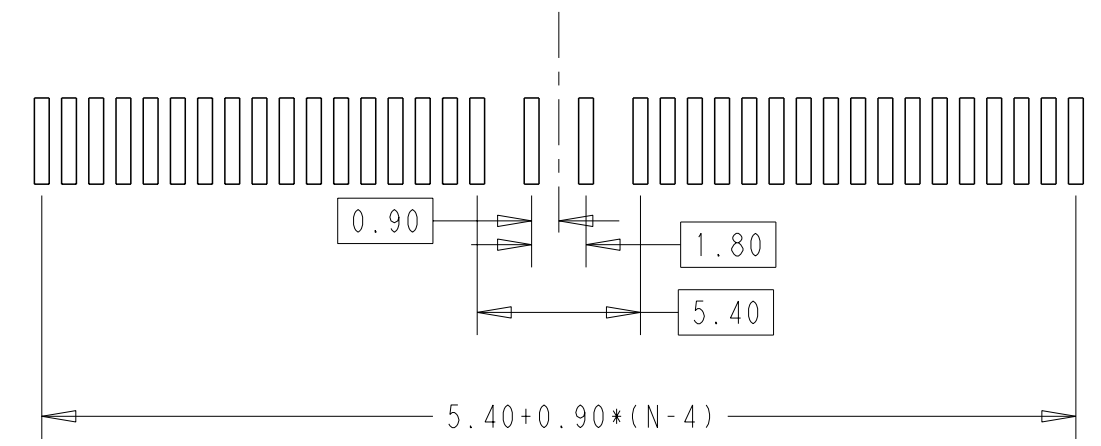
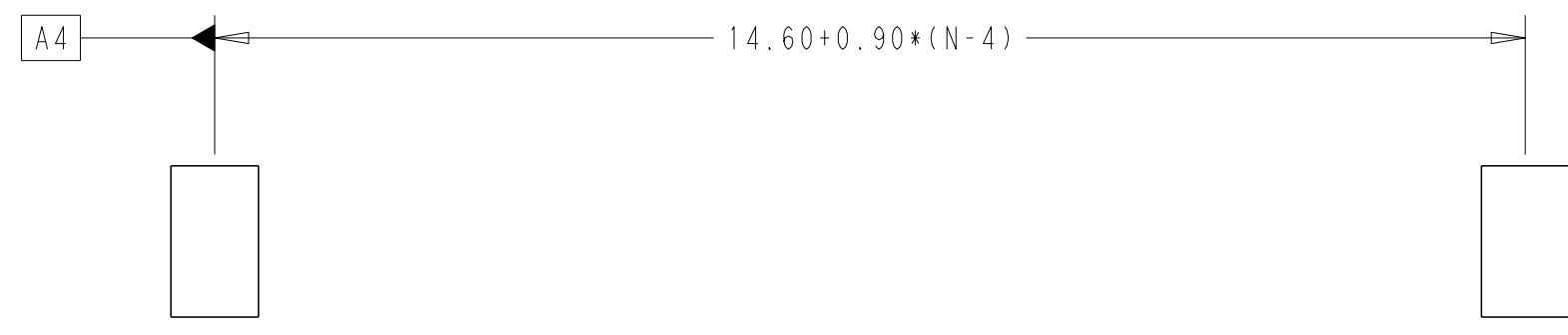
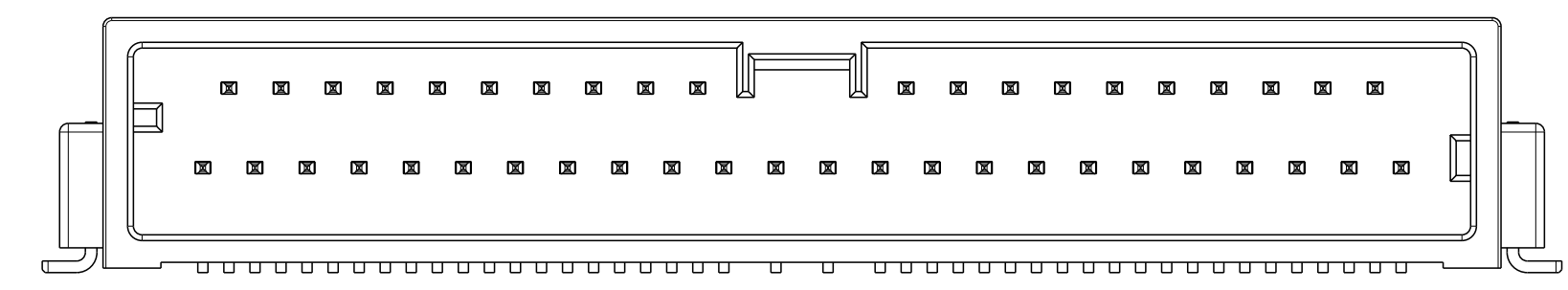
REVISIONS				
P	LTR	DESCRIPTION	DATE	APVD
		SEE SHEET 1		



3-2834465-6



4-2834465-4

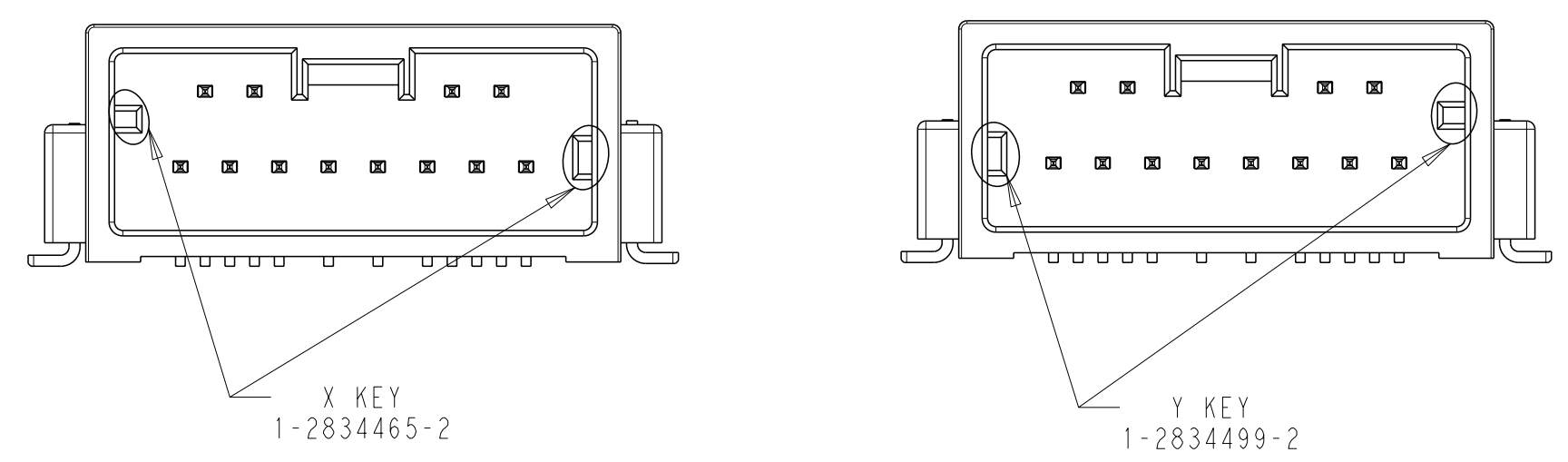


THIS DRAWING IS A CONTROLLED DOCUMENT.		DWN FRANK FAN 01MAR2021	<b>STE</b> TE Connectivity	
DIMENSIONS: mm		CHK GEORGE FU 01MAR2021		
TOLERANCES UNLESS OTHERWISE SPECIFIED:		APVD MING SHI 01MAR2021	NAME MINIDYNAMIC HEADER 1.8 MM PITCH SMT TYPE	
0 PLC ± 1 PLC ± 2 PLC ±0.25 3 PLC ± 4 PLC ±		PRODUCT SPEC 108-137443	SIZE A2	CAGE CODE -
ANGLES ± FINISH		APPLICATION SPEC -	DRAWING NO C-2834465	RESTRICTED TO -
MATERIAL -		WEIGHT -	SCALE 4:1 SHEET 3 OF 4 REV B	
		CUSTOMER DRAWING		

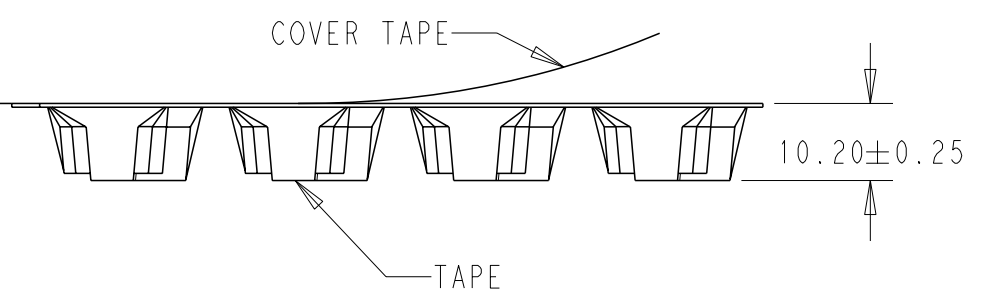
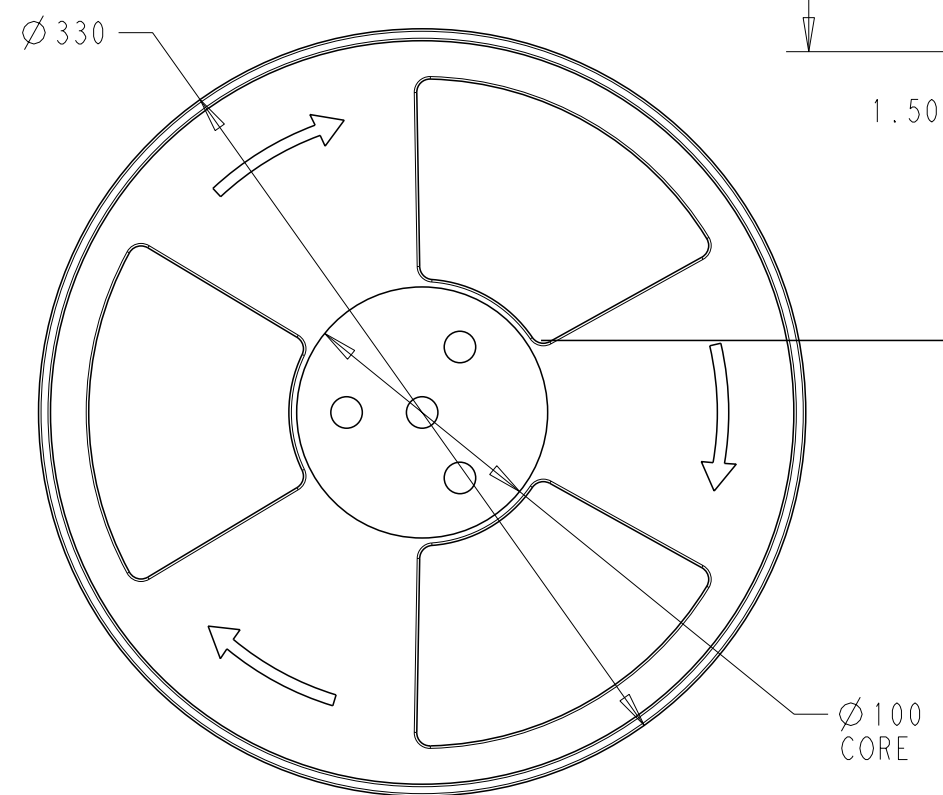
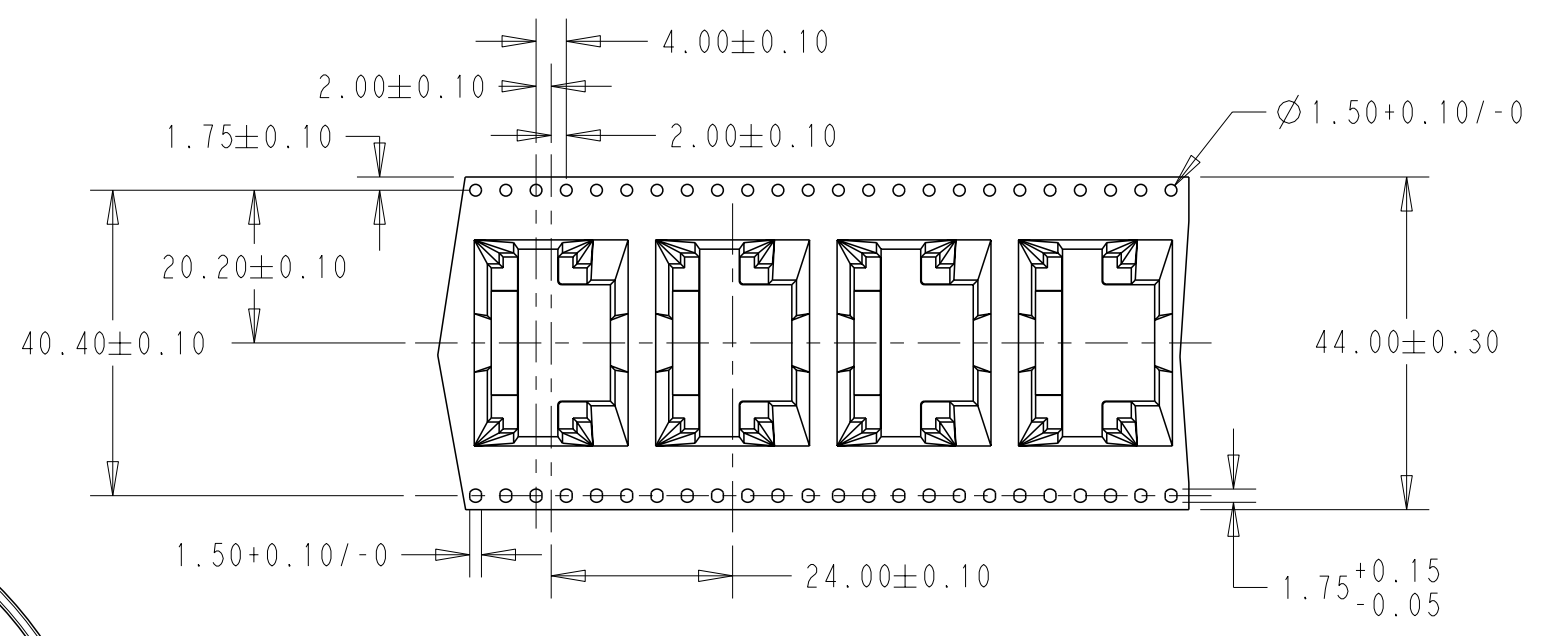
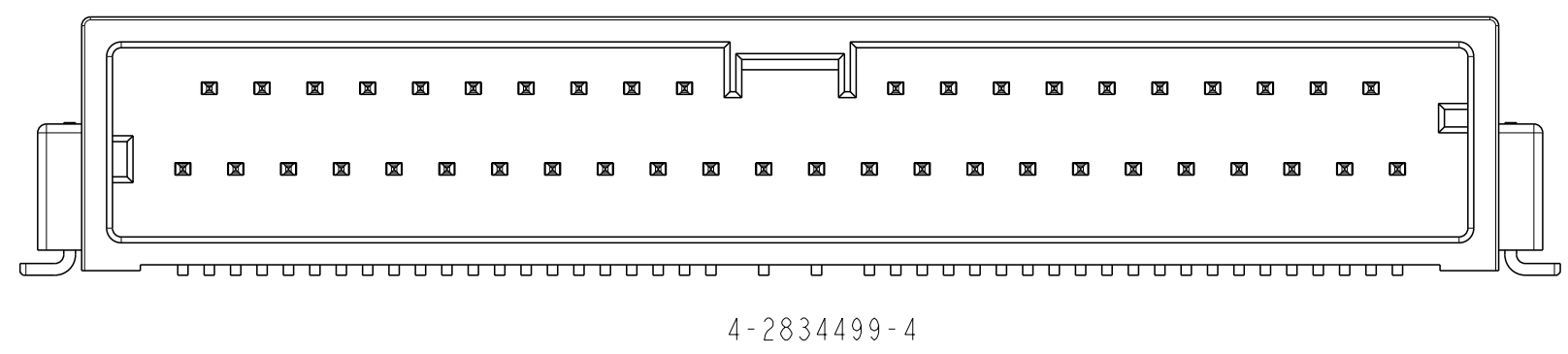
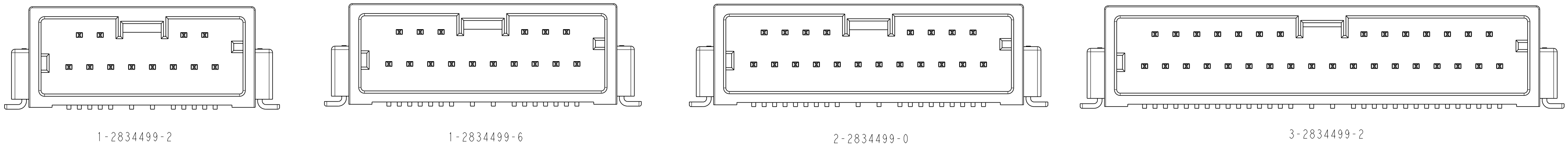
printed on 8 Mar 2022 11:54 (China Standard Time) from TE310617

THIS DRAWING IS UNPUBLISHED. RELEASED FOR PUBLICATION 20  
 © COPYRIGHT 20 BY - ALL RIGHTS RESERVED.

REVISIONS				
P	LTR	DESCRIPTION	DATE	APVD
		SEE SHEET 1		



NOTES:  
 1 PLEASE REFER DIMENSIONS AND REQUIREMENTS IN SHEET1 AND SHEET2.



44 MM WIDTH TAPE AS SHOWN

4-2834499-4	4-2834465-4	72	250	750
4-2834499-0	4-2834465-0	72	250	750
3-2834499-6	3-2834465-6	72	250	750
3-2834499-2	3-2834465-2	56	250	750
2-2834499-8	2-2834465-8	56	250	750
2-2834499-4	2-2834465-4	56	250	750
2-2834499-0	2-2834465-0	44	250	1000
1-2834499-6	1-2834465-6	44	250	1000
1-2834499-2	1-2834465-2	44	250	1000
PN (Y KEY)	PN (X KEY)	TAPE WIDTH (MM)	QUANTITY PER REEL /PCS	QUANTITY PER CARTON /PCS

THIS DRAWING IS A CONTROLLED DOCUMENT.

DIMENSIONS: mm	TOLERANCES UNLESS OTHERWISE SPECIFIED: 0 PLC ± 1 PLC ± 2 PLC ±0.25 3 PLC ± 4 PLC ± ANGLES ± FINISH	DWN FRANK FAN 01MAR2021	TE Connectivity
		CHK GEORGE FU 01MAR2021	
		APVD MING SHI 01MAR2021	NAME MINIDYNAMIC HEADER 1.8 MM PITCH SMT TYPE
		PRODUCT SPEC 108-137443	SIZE A2
MATERIAL		APPLICATION SPEC	CAGE CODE -
		WEIGHT	DRAWING NO C-2834465
		CUSTOMER DRAWING	RESTRICTED TO -
		SCALE 4:1	SHEET 4 OF 4
			REV B

printed on 8 Mar 2022 11:54 (China Standard Time) from TE310617

## X-ON Electronics

Largest Supplier of Electrical and Electronic Components

*Click to view similar products for [Headers & Wire Housings](#) category:*

*Click to view products by [TE Connectivity](#) manufacturer:*

Other Similar products are found below :

[57102-F02-18ULF](#) [58102-G61-06LF](#) [582553-1](#) [009176003701906](#) [01.001.5753.1](#) [0050291907](#) [02.125.8002.8](#) [609-3404](#) [61062-3](#)  
[CSU011177004](#) [622-0430](#) [622-3653LF](#) [63453-116](#) [636-1030](#) [636-1427](#) [636-3427](#) [636-4007](#) [641938-9](#) [65495-038](#) [65692-001LF](#) [65781-018](#)  
[65781-047](#) [65817-010LF](#) [65817-015LF](#) [66207-023LF](#) [67095-007LF](#) [67601157](#) [68631-112](#) [68645-018](#) [699319-000](#) [70.362.1628.0](#) [70-4210](#)  
[70-4226B](#) [70-4853B](#) [707-5020](#) [707-5028](#) [71.350.2428.0](#) [71961-016LF](#) [733-134](#) [733-162](#) [754199-000](#) [760-3052](#) [800-90-001-10-001000](#)  
[801-43-002-10-013000](#) [801-43-006-10-002000](#) [803-41-018-10-001000](#) [803-43-024-10-001000](#) [803-93-012-10-001000](#) [8-1437020-4](#)  
[819-22-004-30-001101](#)