

REVISIONS					
P	LTR	DESCRIPTION	DATE	DWN	APVD
A	ECR-21-000134		06JAN2021	SS	RS

D

C

B

A

D

C

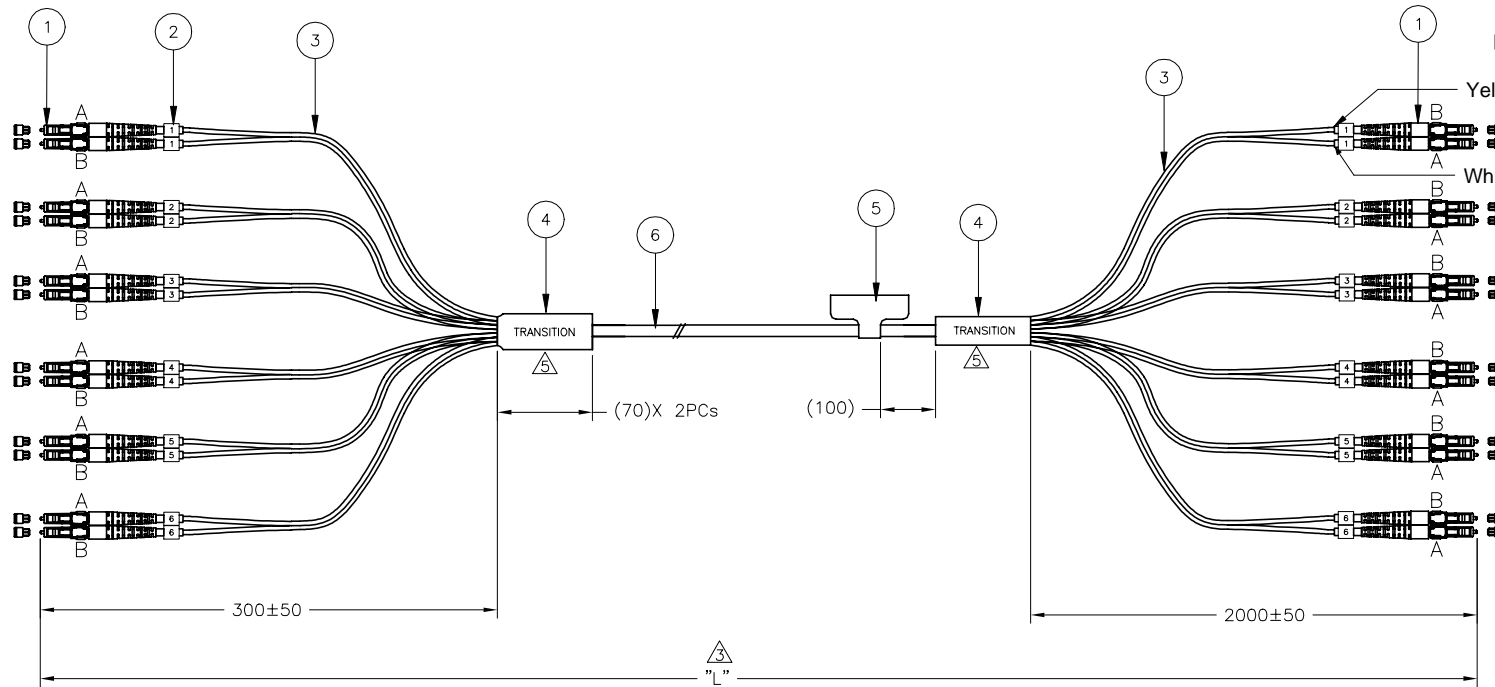
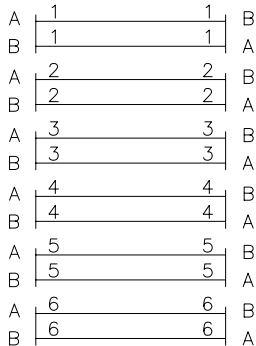
B

A

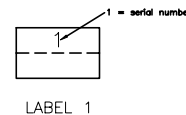
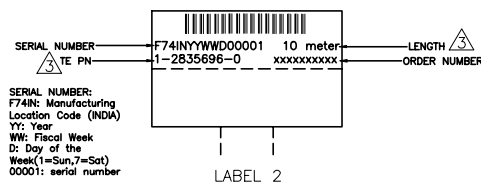
END A

END B

END A



DETAIL FOR REFERENCE ONLY



NOTES:

- MAX. CONNECTOR ATTENUATION 0.3dB, MEASURED AT 1310 nm AND 1550 nm ACCORDING TO IEC 61300-3-4 INSERTION METHOD B
 - MIN. RETURN LOSS 50 dB, IN MATED CONDITION AGAINST REFERENCE CONNECTOR AT 1310 nm AND 1550 nm
 - INFORMATION ON LABEL, SEE DETAIL FOR EXAMPLE.
 - CABLE INFORMATION:
 - CORE DIAMETER: 9/125um
 - OUTER JACKET DIAMETER: Ø6.8MM
 - OUTER JACKET COLOUR: BLACK
 - OUTER JACKET MATERIAL: LSZH
 - CABLE ATTENUATION:0.4dB/km @1310 nm OR 0.3dB/km @1550 nm
 - UL1666 & CPR: Dca-s2,d1,a1 COMPLIANCE
- THE TRANSITION DEVICE MEETS IP67

L	Description	Qty
L	Ø6.8MM FO CABLE 12FIBER, SINGLE MODE G657A2, LSZH, BLACK	6
1	MARKER LABEL 2	5
2	CABLE BRANCHING DEVICE, 12C	4
L	FLEXIBLE PROTECTION TUBE, LSZH, BLACK Ø2-2.5mm	3
24	MARKER LABEL 1	2
12	LC DUPLEX CONNECTOR, SINGLE MODE, BLUE	1

Description		Name	
THIS DRAWING IS A CONTROLLED DOCUMENT.		TE Connectivity	
DWN: SIDDHARTH SINGH 20NOV2020	CHK: HERBERT. ZHANG 20NOV2020	NAME: FOSM 12F LC DUPLEX-LC DUPLEX	
DIMENSIONS: mm		PRODUCT SPEC: -	
TOLERANCES UNLESS OTHERWISE SPECIFIED:		APPLICATION SPEC: -	
0 PLC ±	1 PLC ±	SIZE: A2	CAGE CODE: 00779
2 PLC ±	3 PLC ±	DRAWING NO: C-2835696	RESTRICTED TO: -
4 PLC ±	ANGLES ±	WEIGHT: -	SCALE: NTS
MATERIAL: -	FINISH: -	CUSTOMER DRAWING	SHEET: 1 of 2



2835696

REVISIONS					
P	LYR	DESCRIPTION	DATE	DWN	APVD
-		SEE SHEET 1	-	-	-

LENGTH "L" IN MM	TOLERANCE
L ≤ 50000	±1%
L > 50000	±1%

PART NUMBER	DESCRIPTION	LENGTH (Meters)	REMARKS
1-2835696-0	FOSM 12F LC DUPLEX-LC DUPLEX,10m	10±0.10	
2-2835696-0	FOSM 12F LC DUPLEX-LC DUPLEX,20m	20±0.20	
3-2835696-0	FOSM 12F LC DUPLEX-LC DUPLEX,30m	30±0.30	
5-2835696-0	FOSM 12F LC DUPLEX-LC DUPLEX,50m	50±0.50	
7-2835696-0	FOSM 12F LC DUPLEX-LC DUPLEX,70m	70±0.70	
9-2835696-9	FOSM 12F LC DUPLEX-LC DUPLEX,100m	100±1.0	
9-2835696-8	FOSM 12F LC DUPLEX-LC DUPLEX,150m	150±1.5	
9-2835696-6	FOSM 12F LC DUPLEX-LC DUPLEX,250m	250±2.5	

2835696

THIS DRAWING IS A CONTROLLED DOCUMENT.		DWN SIDDHARTH SINGH 20NOV2020	 TE Connectivity		
		CHK HERBERT ZHANG 20NOV2020			
DIMENSIONS: mm		TOLERANCES UNLESS OTHERWISE SPECIFIED: 0 PLC ± - 1 PLC ± - 2 PLC ± - 3 PLC ± - 4 PLC ± - ANGLES ± -		APVD ROGER SONG 20NOV2020	NAME FOSM 12F LC DUPLEX-LC DUPLEX
		PRODUCT SPEC - APPLICATION SPEC - MATERIAL - FINISH -		RESTRICTED TO -	
		WEIGHT -	SIZE A2	CAGE CODE 00779	DRAWING NO C-2835696
		CUSTOMER DRAWING		SCALE NTS	SHEET 2 of 2
				REV A	

X-ON Electronics

Largest Supplier of Electrical and Electronic Components

Click to view similar products for [Fibre Optic Cable Assemblies](#) category:

Click to view products by [TE Connectivity](#) manufacturer:

Other Similar products are found below :

[7-21002-9](#) [760-1518](#) [FA04390-50-M-72-LC-N](#) [MLB 501 V RED](#) [MLB 501 V YELLOW](#) [1-3636-600-5208](#) [2061529-7](#) [1-6693182-0](#)
[1754898-1](#) [21055-6](#) [FXBSCSCE2LM002](#) [3000005](#) [3-21053-2](#) [MLB 200/1 V BLACK](#) [MLB 2001 V RED](#) [MLB 2001 V YELLOW](#) [MLB 501](#)
[V BLACK](#) [5492011-6](#) [106284-7000](#) [5492011-5](#) [5492011-8](#) [5492011-9](#) [8-21007-5](#) [2123524-2](#) [2123524-1](#) [106386-4447](#) [DFSM-SCSC-2M](#)
[2123909-4](#) [2123909-8](#) [106273-0629](#) [2125046-1](#) [2821236-3](#) [2821310-2](#) [2821310-3](#) [2821313-4](#) [FX2ERLNLNSNM0.5](#) [CF-980062-074](#) [CF-](#)
[901200-394](#) [CF-980062-073](#) [CF-980062-071](#) [CF-980062-075](#) [CF-980062-072](#) [17-300310-100](#) [2821236-2](#) [2821313-1](#) [G-FC-FC-S-002.0-DX-](#)
[A-18-Y](#) [G-E2A-E2A-S-003.0-SX-A-18-Y](#) [956-322-502214](#) [FA04474](#) [1083665](#)