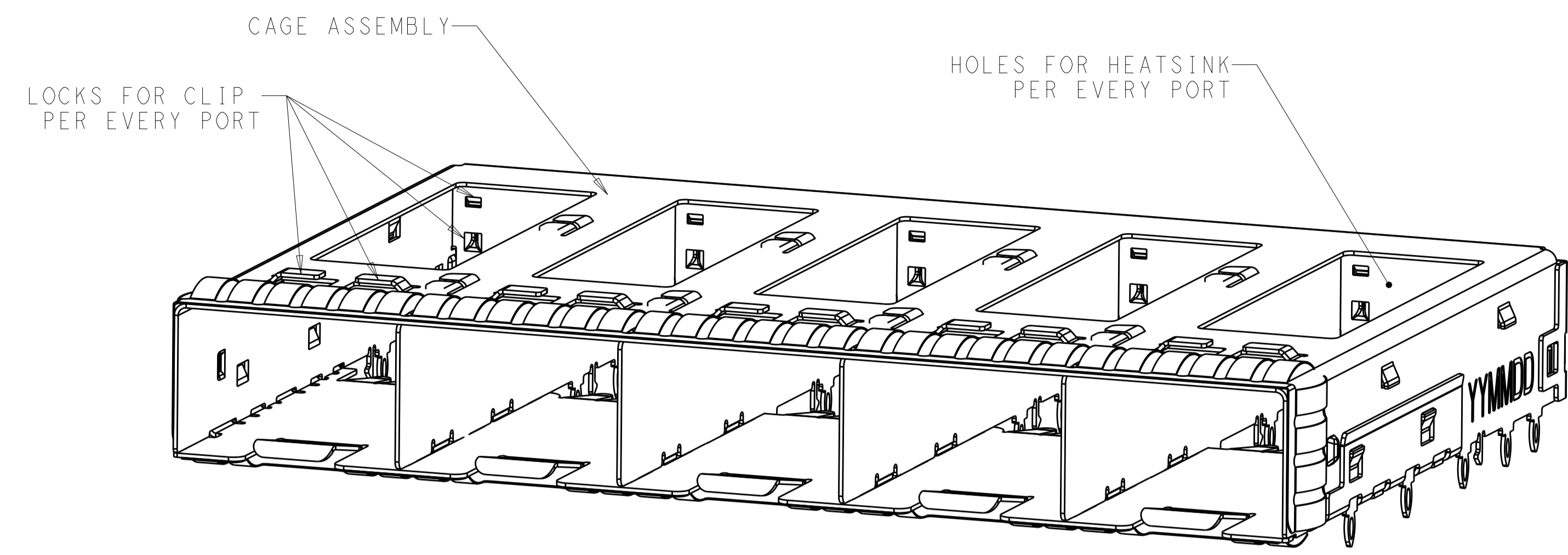
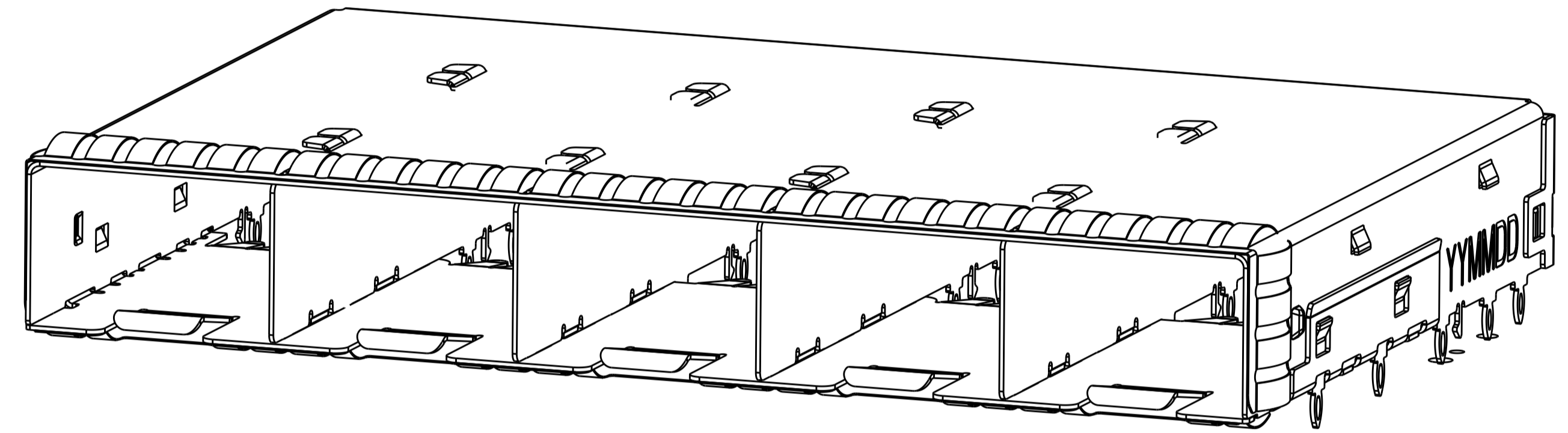


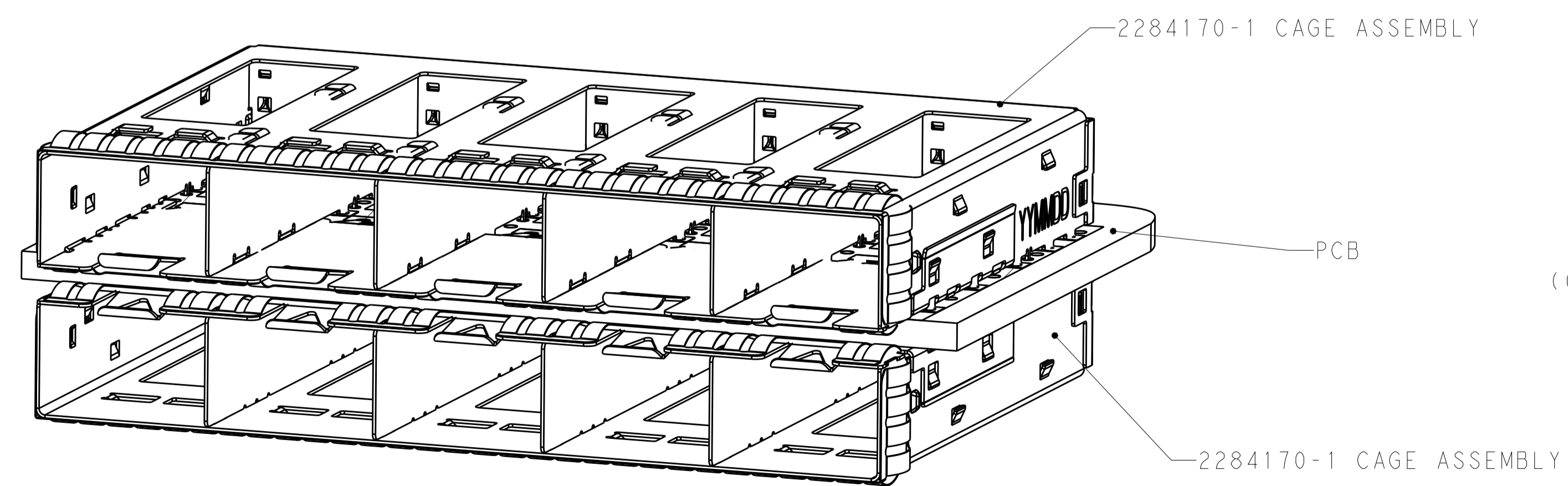
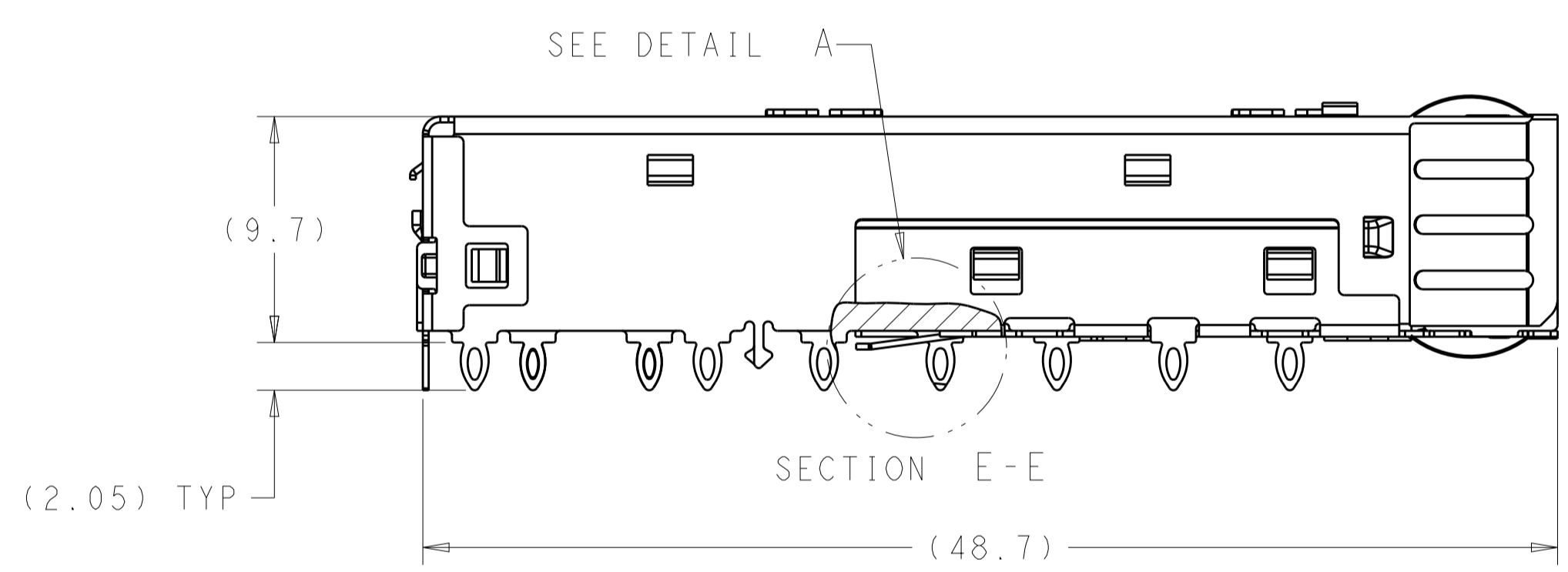
LOC	DIST	REVISIONS					
GP	00	P	LTN	DESCRIPTION	DATE	DWN	APVD
		A		INITIAL RELEASE	20MAY2015	JW	SH
		A1		ADD DASH-3	23NOV2015	JW	SH



2284170-1
FINISHED ASSEMBLY



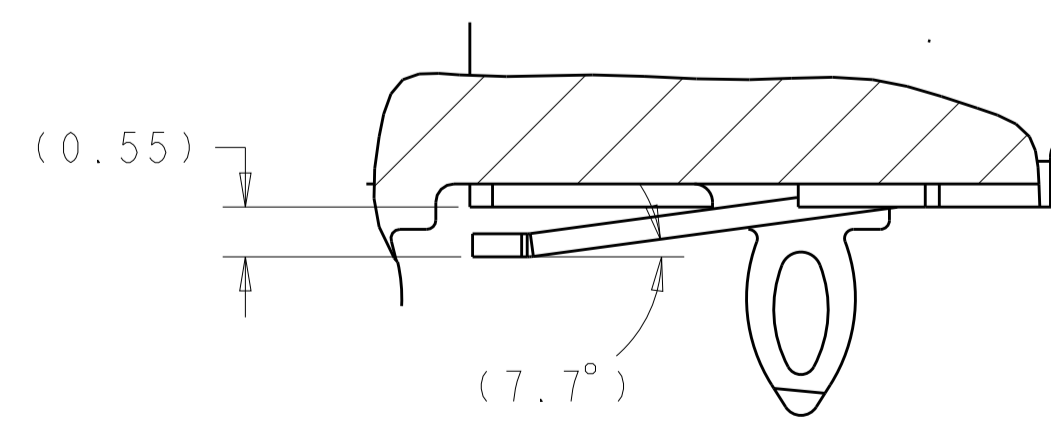
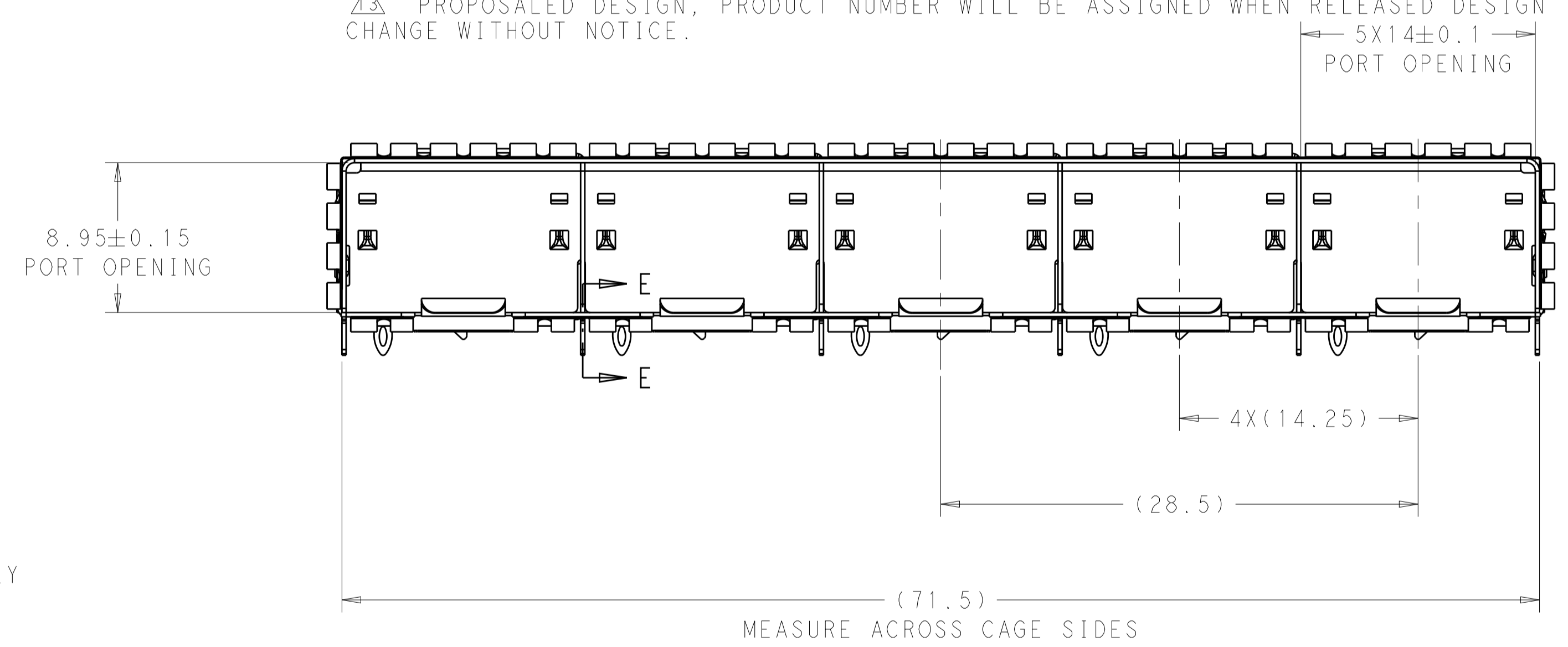
2284170-3
FINISHED ASSEMBLY



SCALE 3:1

2284170-1
MOUNTED BELLY TO BELLY ON PCB

1. MATERIAL: 0.25mm THICK NICKEL SILVER ALLOY.
EMI SPRINGS: COPPER ALLOY.
 2. FINISH:
SPRINGS: MINIMUM OF 0.8um TIN PLATE OVER A MINIMUM OF 0.8um NICKEL UNDERPLATE. NON-PLATED EDGES PERMISSIBLE.
 3. MATES WITH SFP MSA COMPLIANT TRANSCEIVERS.
 4. PADS AND VIAS CHASSIS GROUND.
 5. INTERPRETATION OF DATUM REFERENCE FRAME IN ACCORDANCE WITH SECT 4.4.1.1 OF ASME Y14.5M-1994.
 6. MINIMUM PC BOARD THICKNESS:
SINGLE SIDED = 1.45mm
DOUBLE SIDED = 2.25mm
 7. HOLE PATTERN REPEATS FOR EACH PORT. SPACING BETWEEN PORTS IS 14.25mm.
 8. DATUM AND BASIC DIMENSION ESTABLISHED BY CUSTOMER.
 9. REFERENCE APPLICATION SPEC. 114-13120, HOLE A, FOR RECOMMENDED DRILL HOLE DIAMETER AND PLATING THICKNESS.
 10. REFERENCE APPLICATION SPEC. 114-13120, HOLE B, FOR RECOMMENDED DRILL HOLE DIAMETER AND PLATING THICKNESS.
 11. CERTAIN MATING TRANSCEIVERS MAY REQUIRE ADDITIONAL PCB THICKNESS THAT WOULD BE DETERMINED BY THE CUSTOMER.
 12. PRODUCT COMPLIES WITH SPECIFICATION SFF-8433 IMPROVED PLUGGABLE FORM FACTOR FOR SFP+ GANGED CAGES
13. PROPOSED DESIGN, PRODUCT NUMBER WILL BE ASSIGNED WHEN RELEASED DESIGN IS SUBJECT OF CHANGE WITHOUT NOTICE.

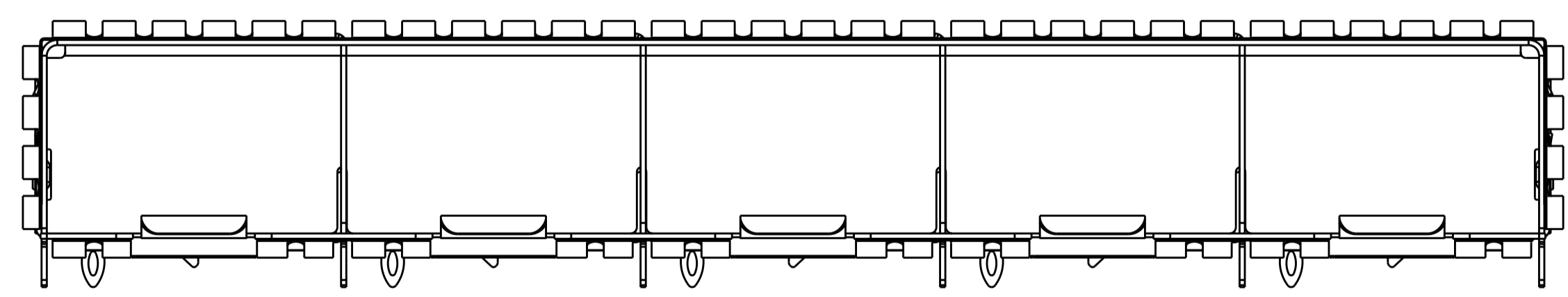
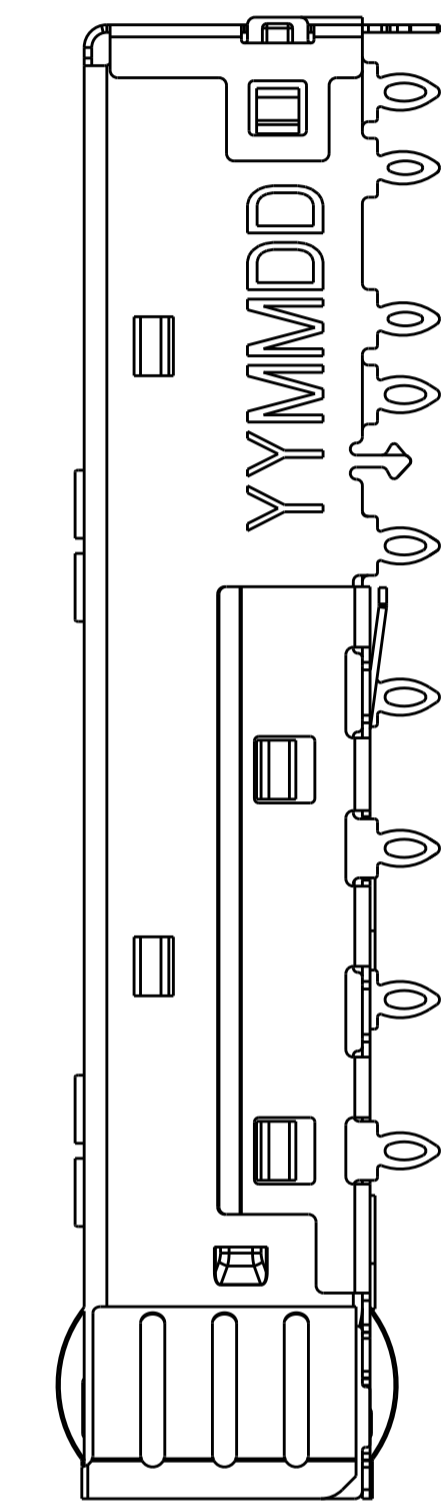
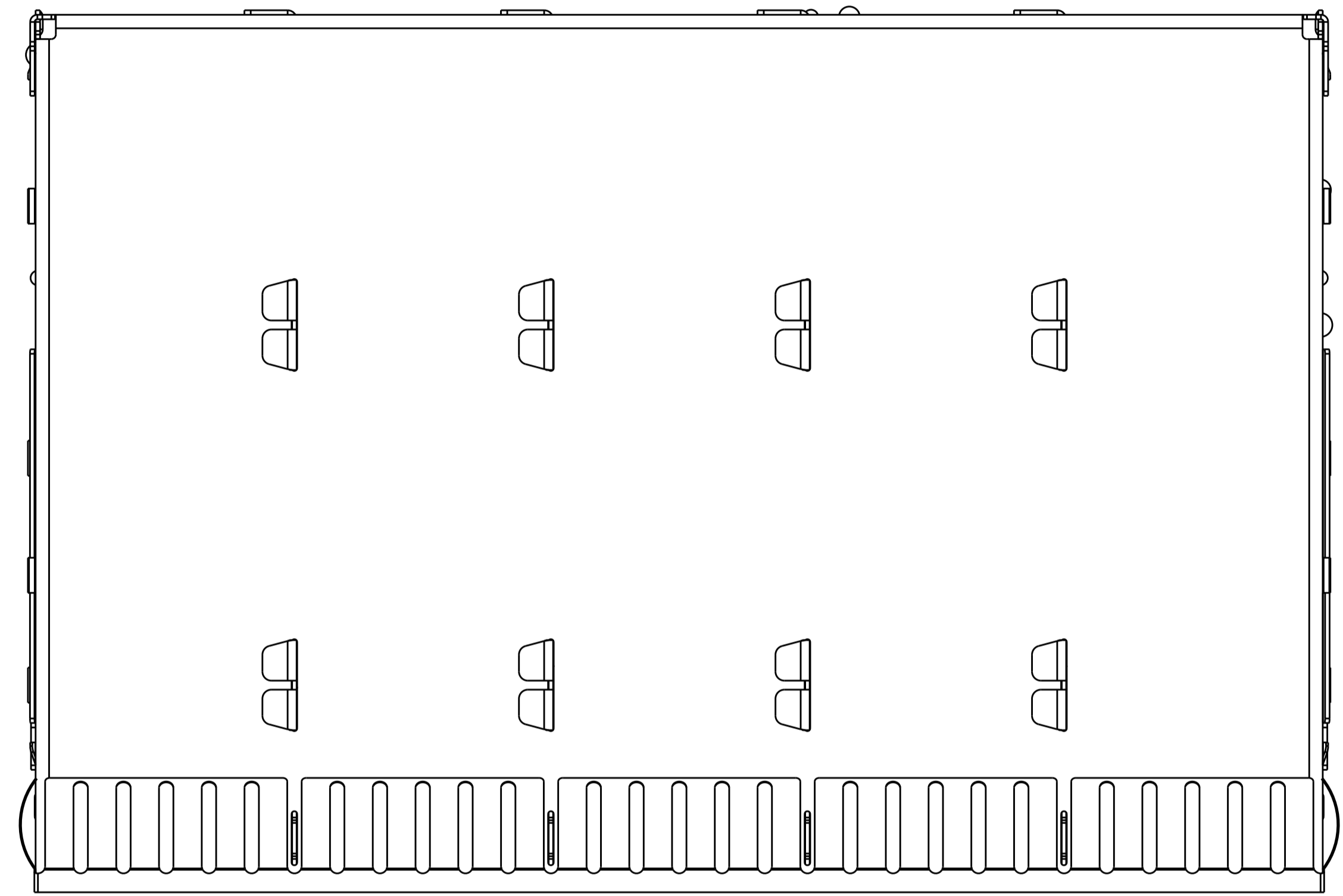
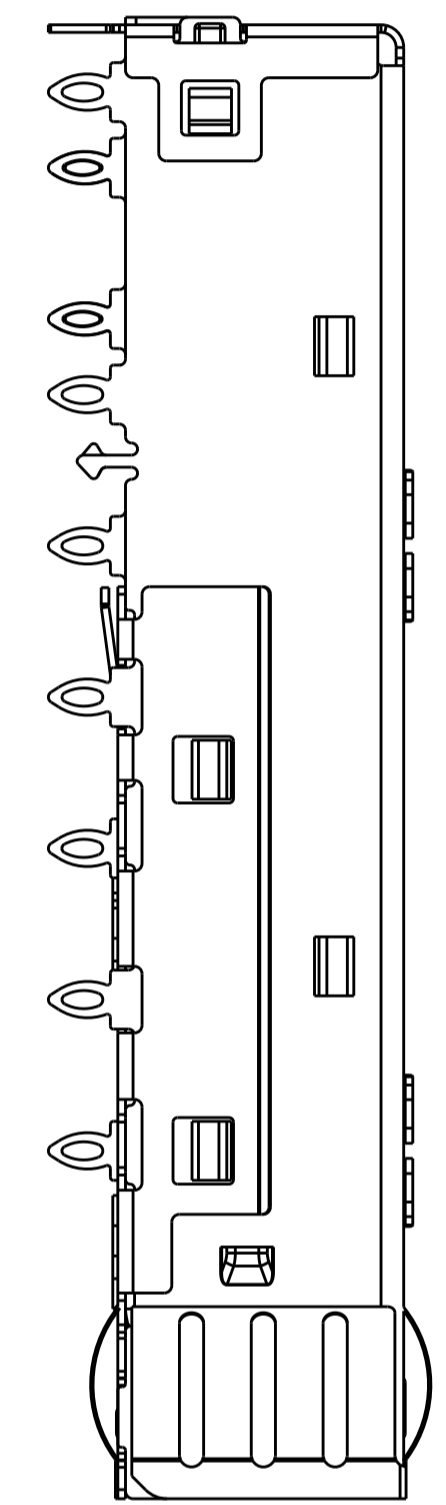
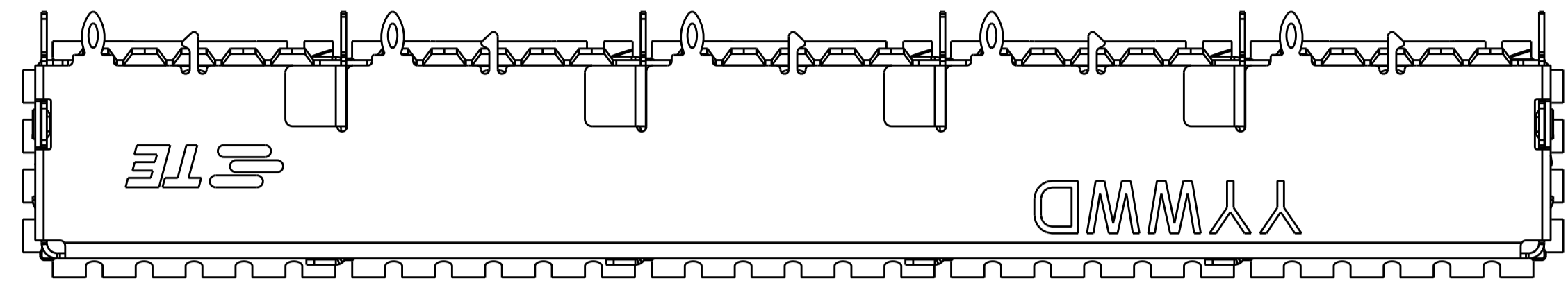


DETAIL A
25X INDIVIDUALLY
SCALE 12:1

NO	2284170-3
YES	2284170-1
HOLES FOR HEATSINK LOCKS FOR CLIP	PART NUMBER

THIS DRAWING IS A CONTROLLED DOCUMENT.		DWN	J. WANG	08AUG2014
DIMENSIONS:		CHK	S. HAN	08AUG2014
mm	0 PLC ±0.25	APVD	S. HAN	08AUG2014
	1 PLC ±0.25	PRODUCT SPEC		
	2 PLC ±0.25	108-2364		
	3 PLC ±0.25	APPLICATION SPEC		
	4 PLC ±0.25	114-13120		
	ANGLES ±	WEIGHT		
MATERIAL	FINISH	Customer Drawing		
		NO		2284170-3
		YES		2284170-1
		HOLES FOR HEATSINK LOCKS FOR CLIP		PART NUMBER
		NO		2284170-3
		YES		2284170-1
		HOLES FOR HEATSINK LOCKS FOR CLIP		PART NUMBER
		NO		2284170-3
		YES		2284170-1
		HOLES FOR HEATSINK LOCKS FOR CLIP		PART NUMBER
		NO		2284170-3
		YES		2284170-1
		HOLES FOR HEATSINK LOCKS FOR CLIP		PART NUMBER
		NO		2284170-3
		YES		2284170-1
		HOLES FOR HEATSINK LOCKS FOR CLIP		PART NUMBER
		NO		2284170-3
		YES		2284170-1
		HOLES FOR HEATSINK LOCKS FOR CLIP		PART NUMBER
		NO		2284170-3
		YES		2284170-1
		HOLES FOR HEATSINK LOCKS FOR CLIP		PART NUMBER
		NO		2284170-3
		YES		2284170-1
		HOLES FOR HEATSINK LOCKS FOR CLIP		PART NUMBER
		NO		2284170-3
		YES		2284170-1
		HOLES FOR HEATSINK LOCKS FOR CLIP		PART NUMBER
		NO		2284170-3
		YES		2284170-1
		HOLES FOR HEATSINK LOCKS FOR CLIP		PART NUMBER
		NO		2284170-3
		YES		2284170-1
		HOLES FOR HEATSINK LOCKS FOR CLIP		PART NUMBER
		NO		2284170-3
		YES		2284170-1
		HOLES FOR HEATSINK LOCKS FOR CLIP		PART NUMBER
		NO		2284170-3
		YES		2284170-1
		HOLES FOR HEATSINK LOCKS FOR CLIP		PART NUMBER
		NO		2284170-3
		YES		2284170-1
		HOLES FOR HEATSINK LOCKS FOR CLIP		PART NUMBER
		NO		2284170-3
		YES		2284170-1
		HOLES FOR HEATSINK LOCKS FOR CLIP		PART NUMBER
		NO		2284170-3
		YES		2284170-1
		HOLES FOR HEATSINK LOCKS FOR CLIP		PART NUMBER
		NO		2284170-3
		YES		2284170-1
		HOLES FOR HEATSINK LOCKS FOR CLIP		PART NUMBER
		NO		2284170-3
		YES		2284170-1
		HOLES FOR HEATSINK LOCKS FOR CLIP		PART NUMBER
		NO		2284170-3
		YES		2284170-1
		HOLES FOR HEATSINK LOCKS FOR CLIP		PART NUMBER
		NO		2284170-3
		YES		2284170-1
		HOLES FOR HEATSINK LOCKS FOR CLIP		PART NUMBER
		NO		2284170-3
		YES		2284170-1
		HOLES FOR HEATSINK LOCKS FOR CLIP		PART NUMBER
		NO		2284170-3
		YES		2284170-1
		HOLES FOR HEATSINK LOCKS FOR CLIP		PART NUMBER
		NO		2284170-3
		YES		2284170-1
		HOLES FOR HEATSINK LOCKS FOR CLIP		PART NUMBER
		NO		2284170-3
		YES		2284170-1
		HOLES FOR HEATSINK LOCKS FOR CLIP		PART NUMBER
		NO		2284170-3
		YES		2284170-1
		HOLES FOR HEATSINK LOCKS FOR CLIP		PART NUMBER
		NO		2284170-3
		YES		2284170-1
		HOLES FOR HEATSINK LOCKS FOR CLIP		PART NUMBER
		NO		2284170-3
		YES		2284170-1
		HOLES FOR HEATSINK LOCKS FOR CLIP		PART NUMBER
		NO		2284170-3
		YES		2284170-1
		HOLES FOR HEATSINK LOCKS FOR CLIP		PART NUMBER
		NO		2284170-3
		YES		2284170-1
		HOLES FOR HEATSINK LOCKS FOR CLIP		PART NUMBER
		NO		2284170-3
		YES		2284170-1
		HOLES FOR HEATSINK LOCKS FOR CLIP		PART NUMBER
		NO		2284170-3
		YES		2284170-1
		HOLES FOR HEATSINK LOCKS FOR CLIP		PART NUMBER
		NO		2284170-3
		YES		2284170-1
		HOLES FOR HEATSINK LOCKS FOR CLIP		PART NUMBER
		NO		2284170-3
		YES		2284170-1
		HOLES FOR HEATSINK LOCKS FOR CLIP		PART NUMBER
		NO		2284170-3
		YES		2284170-1
		HOLES FOR HEATSINK LOCKS FOR CLIP		PART NUMBER
		NO		2284170-3
		YES		2284170-1
		HOLES FOR HEATSINK LOCKS FOR CLIP		PART NUMBER
		NO		2284170-3
		YES		2284170-1
		HOLES FOR HEATSINK LOCKS FOR CLIP		PART NUMBER
		NO		2284170-3
		YES		2284170-1
		HOLES FOR HEATSINK LOCKS FOR CLIP		PART NUMBER
		NO		2284170-3
		YES		2284170-1
		HOLES FOR HEATSINK LOCKS FOR CLIP		PART NUMBER
		NO		2284170-3
		YES		2284170-1
		HOLES FOR HEATSINK LOCKS FOR CLIP		PART NUMBER
		NO		2284170-3
		YES		2284170-1
		HOLES FOR HEATSINK LOCKS FOR CLIP		PART NUMBER
		NO		2284170-3
		YES		2284170-1
		HOLES FOR HEATSINK LOCKS FOR CLIP		PART NUMBER
		NO		2284170-3
		YES		2284170-1
		HOLES FOR HEATSINK LOCKS FOR CLIP		PART NUMBER
		NO		2284170-3
		YES		2284170-1
		HOLES FOR HEATSINK LOCKS FOR CLIP		PART NUMBER
		NO		2284170-3
		YES		2284170-1
		HOLES FOR HEATSINK LOCKS FOR CLIP		PART NUMBER
		NO		2284170-3
		YES		2284170-1
		HOLES FOR HEATSINK LOCKS FOR CLIP		PART NUMBER
		NO		2284170-3
		YES		2284170-1
		HOLES FOR HEATSINK LOCKS FOR CLIP		PART NUMBER
		NO		2284170-3
		YES		2284170-1
		HOLES FOR HEATSINK LOCKS FOR CLIP		PART NUMBER
		NO		2284170-3
		YES		2284170-1
		HOLES FOR HEATSINK LOCKS FOR CLIP		PART NUMBER
		NO		2284170-3
		YES		2284170-1
		HOLES FOR HEATSINK LOCKS FOR CLIP		PART NUMBER
		NO		2284170-3
		YES		2284170-1
		HOLES FOR HEATSINK LOCKS FOR CLIP		PART NUMBER
		NO		2284170-3
		YES		2284170-1
		HOLES FOR HEATSINK LOCKS FOR CLIP		PART NUMBER
		NO		2284170-3
		YES		2284170-1
		HOLES FOR HEATSINK LOCKS FOR CLIP		PART NUMBER
		NO		2284170-3
		YES		2284170-1
		HOLES FOR HEATSINK LOCKS FOR CLIP		PART NUMBER
		NO		2284170-3
		YES		2284170-1
		HOLES FOR HEATSINK LOCKS FOR CLIP		PART NUMBER
		NO		2284170-3
		YES		2284170-1
		HOLES FOR HEATSINK LOCKS FOR CLIP		PART NUMBER
		NO		2284170-3
		YES		2284170-1
		HOLES FOR HEATSINK LOCKS FOR CLIP		PART NUMBER
		NO		2284170-3
		YES		2284170-1
		HOLES FOR HEATSINK LOCKS FOR CLIP		PART NUMBER
		NO		2284170-3
		YES		2284170-1
		HOLES FOR HEATSINK LOCKS FOR CLIP		PART NUMBER
		NO		2284170-3
		YES		2284170-1
		HOLES FOR HEATSINK LOCKS FOR CLIP		PART NUMBER
		NO		2284170-3
		YES		2284170-1
		HOLES FOR HEATSINK LOCKS FOR CLIP		PART NUMBER
		NO		2284170-3
		YES		2284170-1
		HOLES FOR HEATSINK LOCKS FOR CLIP		PART NUMBER
		NO		2284170-3
		YES		2284170-1
		HOLES FOR HEATSINK LOCKS FOR CLIP		PART NUMBER
		NO		2284170-3
		YES		2284170-1
		HOLES FOR HEATSINK LOCKS FOR CLIP		PART NUMBER
		NO		2284170-3
		YES		2284170-1
		HOLES FOR HEATSINK LOCKS FOR CLIP		PART NUMBER
		NO		2284170-3
		YES		2284170-1
		HOLES FOR HEATSINK LOCKS FOR CLIP		PART NUMBER
		NO		2284170-3
		YES		2284170-1
		HOLES FOR HEATSINK LOCKS FOR CLIP		PART NUMBER
		NO		2284170-3
		YES		2284170-1
		HOLES FOR HEATSINK LOCKS FOR CLIP		PART NUMBER
		NO		2284170-3
		YES		2284170-1
		HOLES FOR HEATSINK LOCKS FOR CLIP		PART NUMBER
		NO		2284170-3
		YES		2284170-1
		HOLES FOR HEATSINK LOCKS FOR CLIP		PART NUMBER
		NO		2284170-3
		YES		2284170-1
		HOLES FOR HEATSINK LOCKS FOR CLIP		PART NUMBER
		NO		2284170-3
		YES		2284170-1
		HOLES FOR HEATSINK LOCKS FOR CLIP		PART NUMBER
		NO		2284170-3
		YES		2284170-1
		HOLES FOR HEATSINK LOCKS FOR CLIP		PART NUMBER
		NO		2284170-3
		YES		2284170-1
		HOLES FOR HEATSINK LOCKS FOR CLIP		PART NUMBER
		NO		2284170-3
		YES		2284170-1
		HOLES FOR HEATSINK LOCKS FOR CLIP		PART NUMBER
		NO		2284170-3
		YES		2284170-1
		HOLES FOR HEATSINK LOCKS FOR CLIP		PART NUMBER
		NO		2284170-3
		YES		2284170-1
		HOLES FOR HEATSINK LOCKS FOR CLIP		PART NUMBER
		NO		2284170-3
		YES		2284170-1
		HOLES FOR HEATSINK LOCKS FOR CLIP		PART NUMBER
		NO		2284170-3
		YES		2284170-1
		HOLES FOR HEATSINK LOCKS FOR CLIP		PART NUMBER
		NO		2284170-3
		YES		2284170-1
		HOLES FOR HEATSINK LOCKS FOR CLIP		PART NUMBER
		NO		2284170-3
		YES		2284170-1
		HOLES FOR HEATSINK LOCKS FOR CLIP		PART NUMBER
		NO		2284170-3
		YES		2284170-1
		HOLES FOR HEATSINK LOCKS FOR CLIP		PART NUMBER
		NO		2284170-3
		YES		2284170-1
		HOLES FOR HEATSINK LOCKS FOR CLIP		PART NUMBER

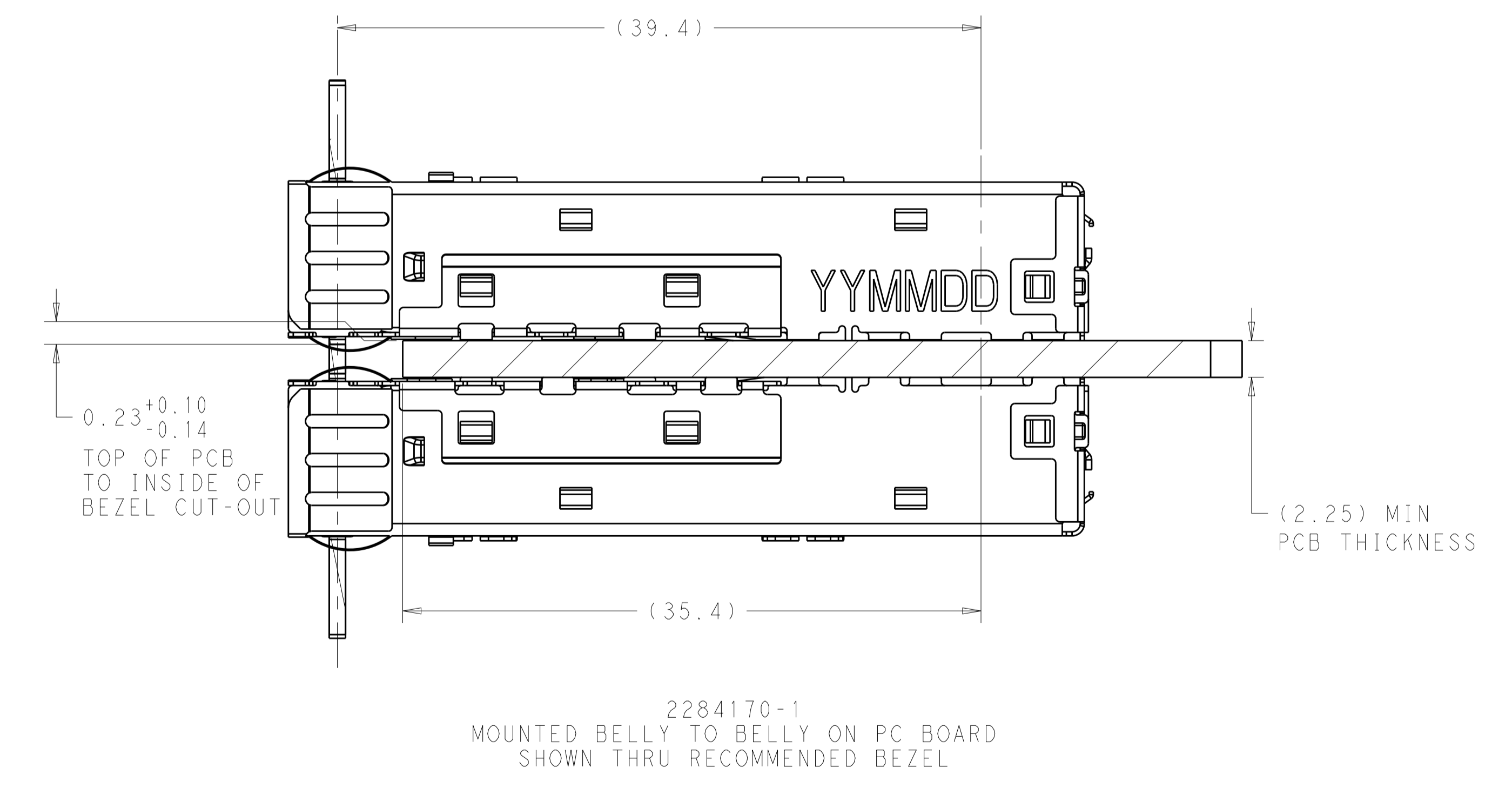
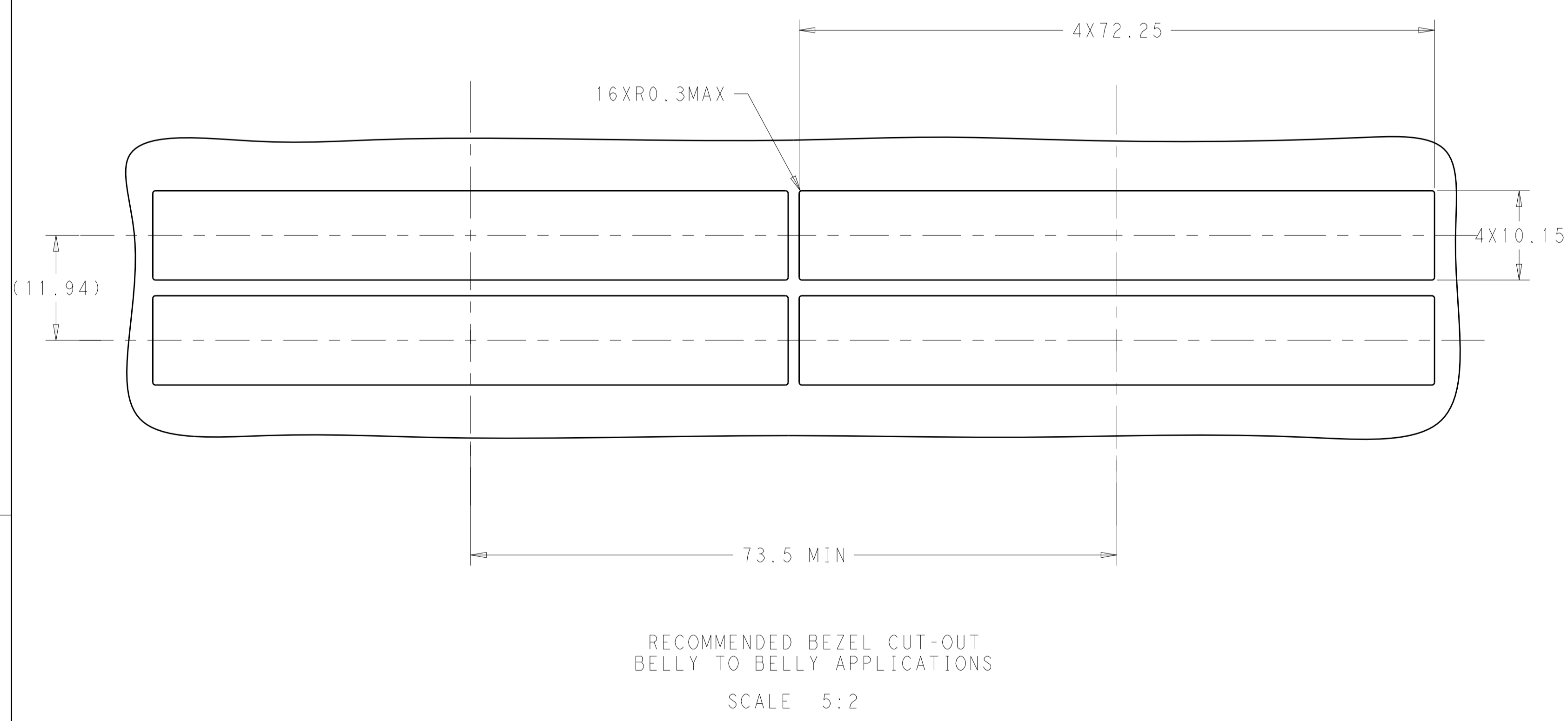
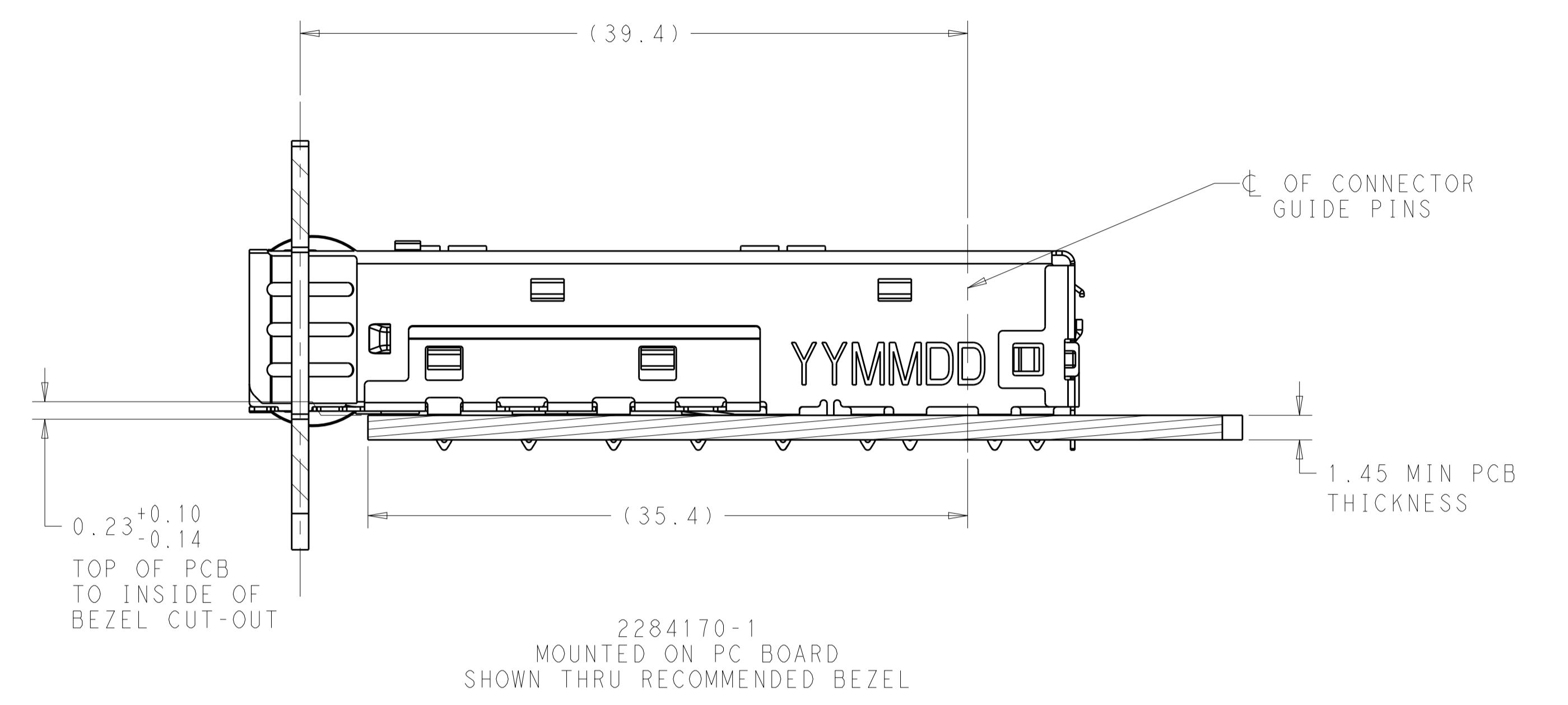
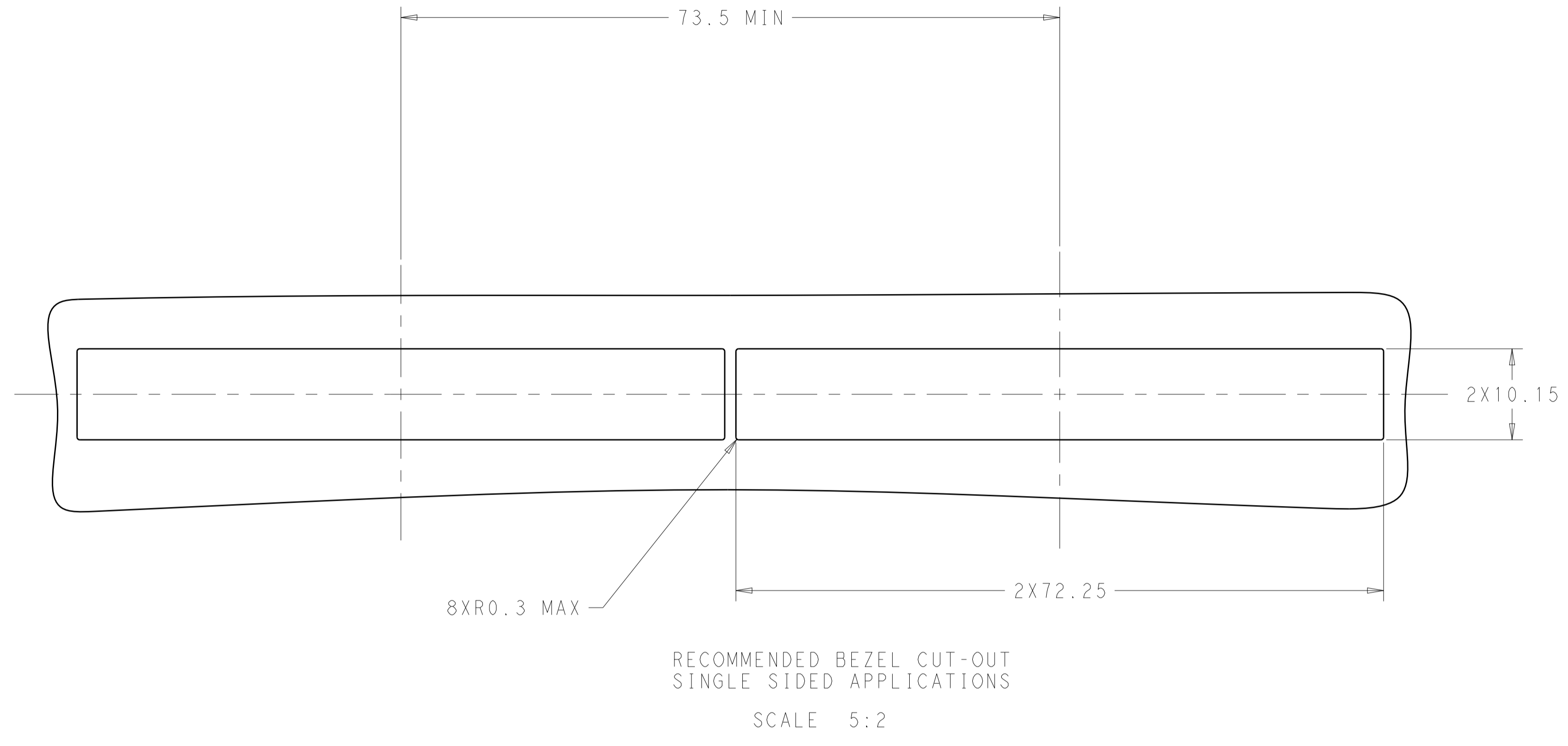
LOC		DIST		REVISIONS				
GP	00	P	LTN	DESCRIPTION	DATE	DMN	APVD	
-	-	-	-	SEE SHEET 1	-	-	-	



2284170-3 ALL DIMENSIONS ARE SAME AS 2284170-1
 JUST REMOVE HOLES FOR HEATSINK ON TOP WALL
 AND LOCK FOR CLIP ON TOP AND BACK WALL FROM 2284170-1

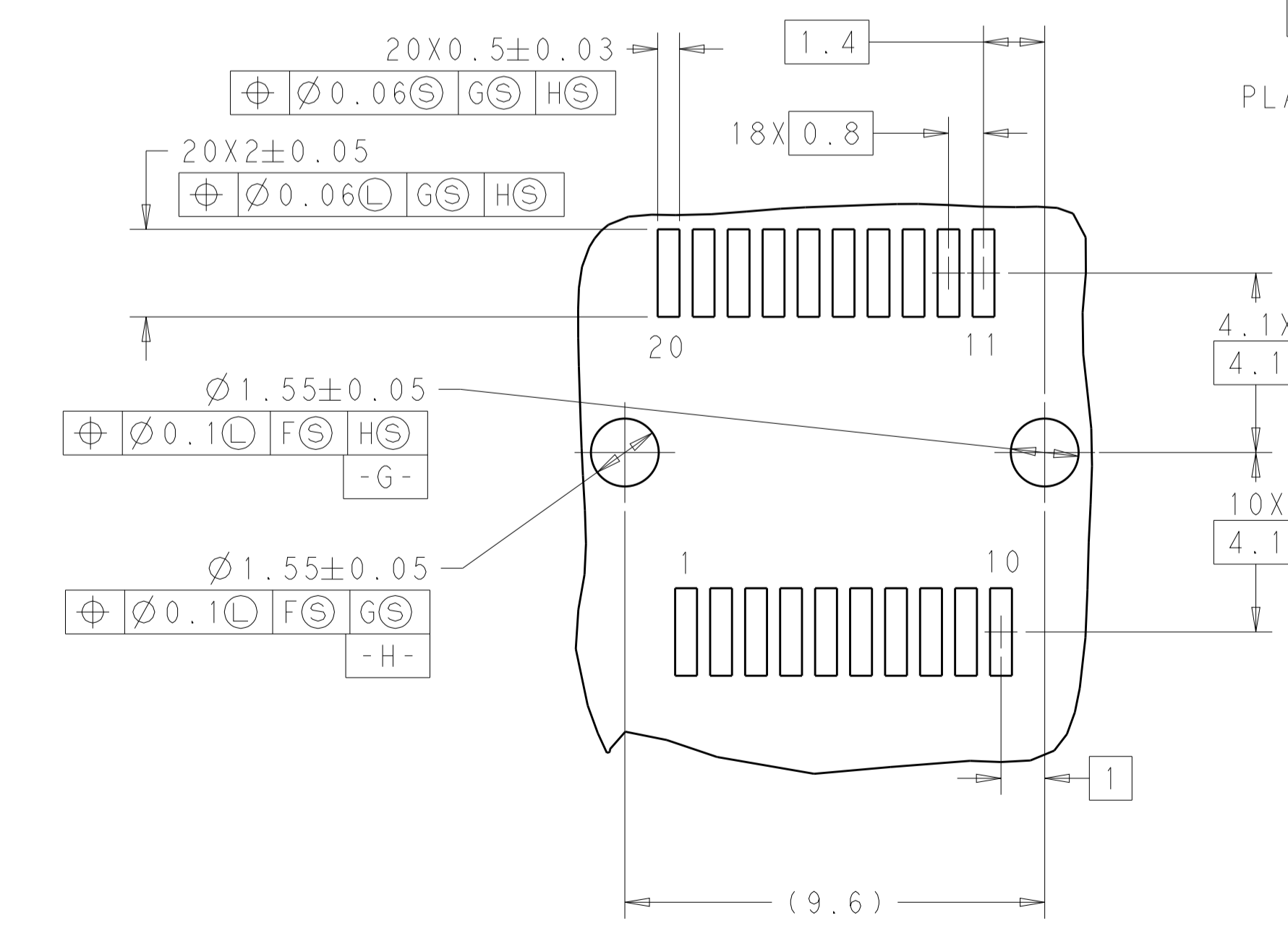
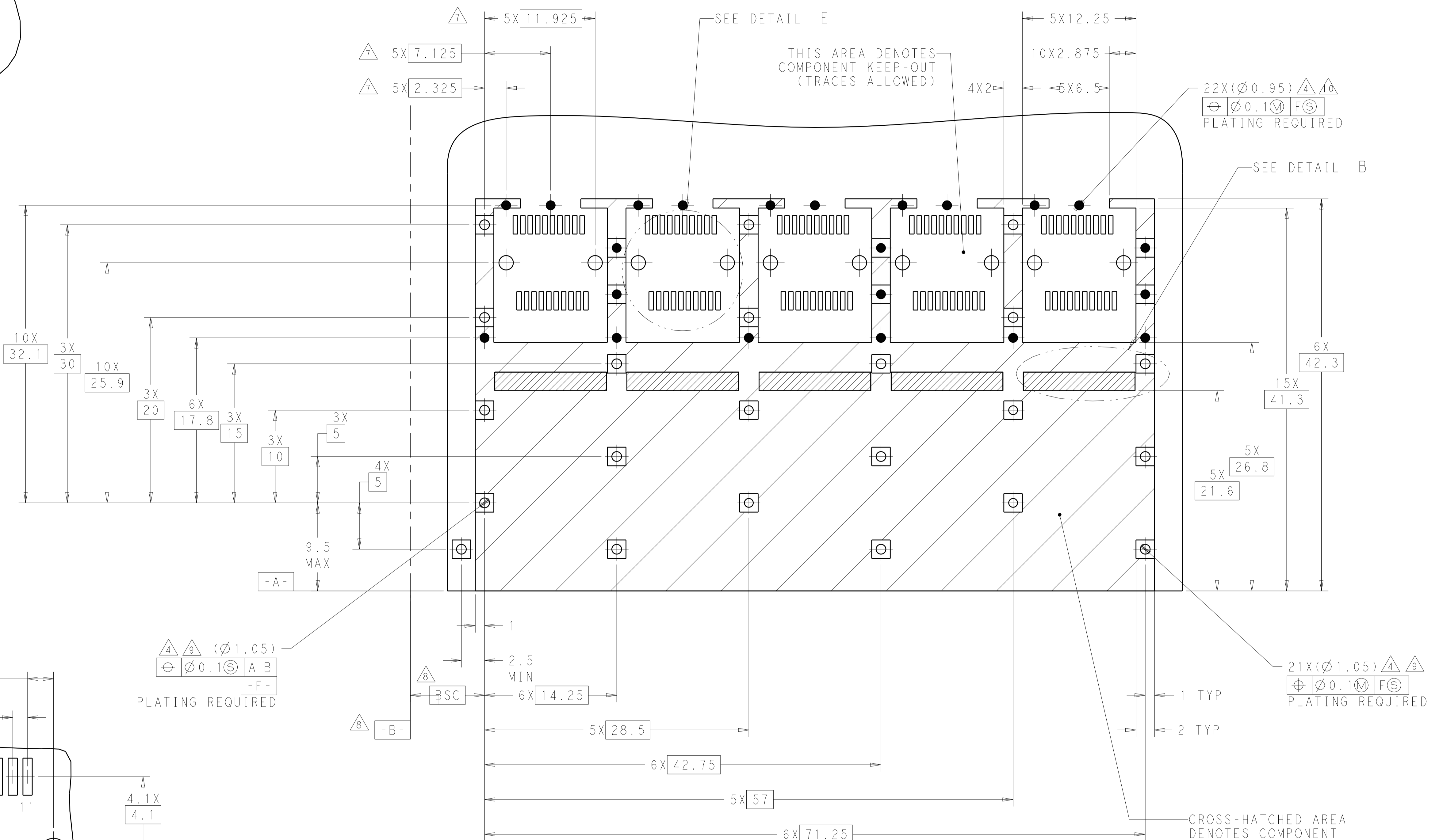
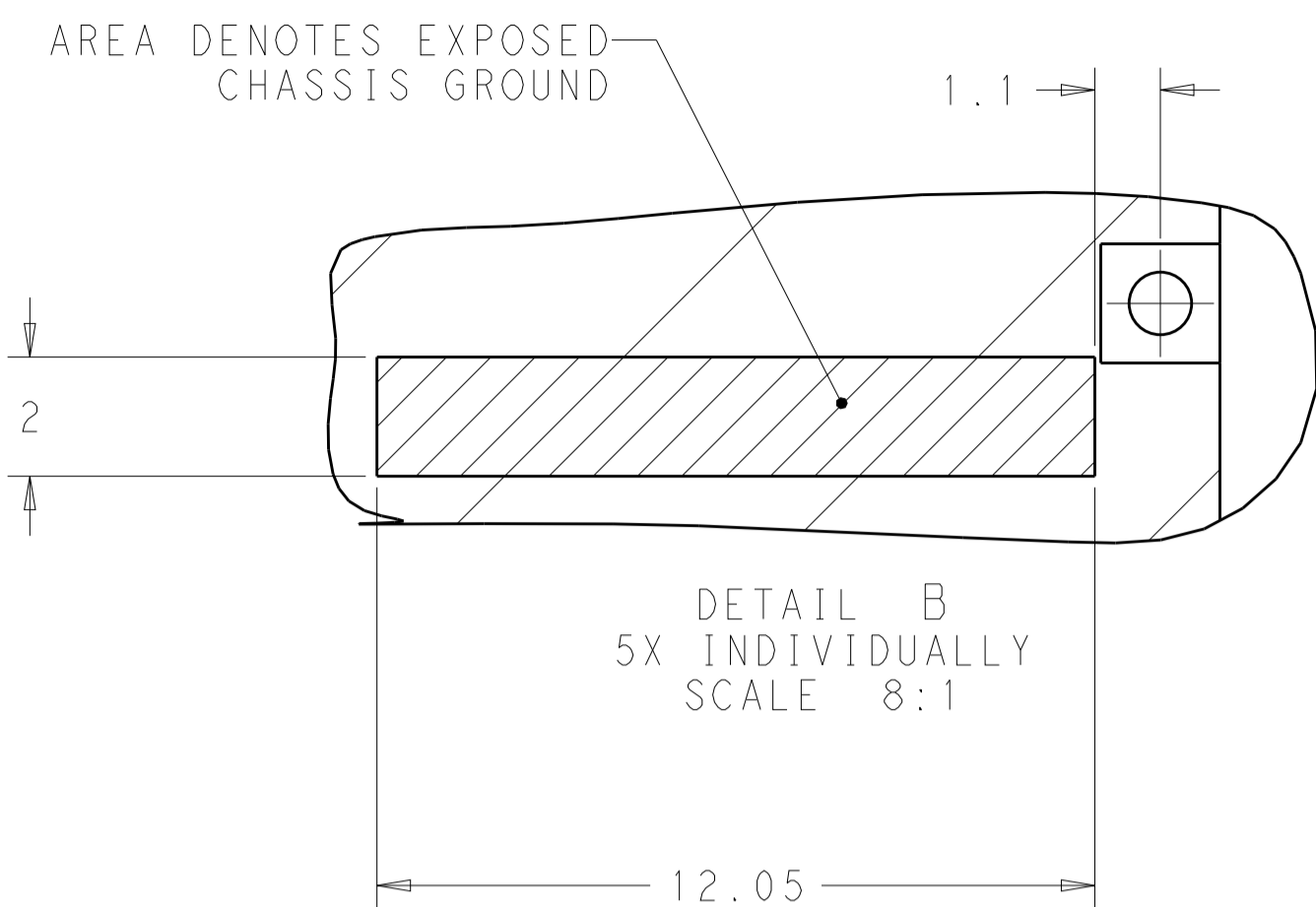
THIS DRAWING IS A CONTROLLED DOCUMENT.		DMN: J. WANG 08AUG2014	TE Connectivity
DIMENSIONS: mm		CHK: S. HAN 08AUG2014	
TOLERANCES UNLESS OTHERWISE SPECIFIED:		APVD: S. HAN 08AUG2014	NAME: SFP+ ENHANCED 1X5 CAGE ASSEMBLY PRESS FIT, EXTERNAL EMI SPRINGS
0 PLC ±0.1 1 PLC ±0.1 2 PLC ±0.1 3 PLC ±0.1 4 PLC ±0.1 ANGLES ±		PRODUCT SPEC: 108-2364	
MATERIAL:		APPLICATION SPEC: 114-13120	RESTRICTED TO: -
FINISH: -		WEIGHT: -	SIZE: A100779C=2284170
Customer Drawing		SCALE: 4:1	SHEET 2 OF 5 REV: A1

LOC	DIST	REVISIONS					
GP	00	P	LTN	DESCRIPTION	DATE	DWN	APVD
-	-	-	-	SEE SHEET 1	-	-	-



THIS DRAWING IS A CONTROLLED DOCUMENT.		DWN J. WANG 08AUG2014	TE Connectivity
DIMENSIONS: mm		CHK S. HAN 08AUG2014	
TOLERANCES UNLESS OTHERWISE SPECIFIED:		APVD S. HAN 08AUG2014	NAME SFP+ ENHANCED 1X5 CAGE ASSEMBLY PRESS FIT, EXTERNAL EMI SPRINGS
0 PLC ±0.1	1 PLC ±0.1	PRODUCT SPEC	SIZE CAGE CODE DRAWING NO RESTRICTED TO
2 PLC ±0.1	3 PLC ±0.1	108-2364	A100779C=2284170
4 PLC ±0.1	ANGLES ±	APPLICATION SPEC	SCALE 4:1 SHEET 3 OF 5 REV A1
MATERIAL	FINISH	114-13120	Customer Drawing

LOC	DIST	REVISIONS			
GP	00	REV	DATE	BY	APPD
-	-	SEE SHEET 1	-	-	-



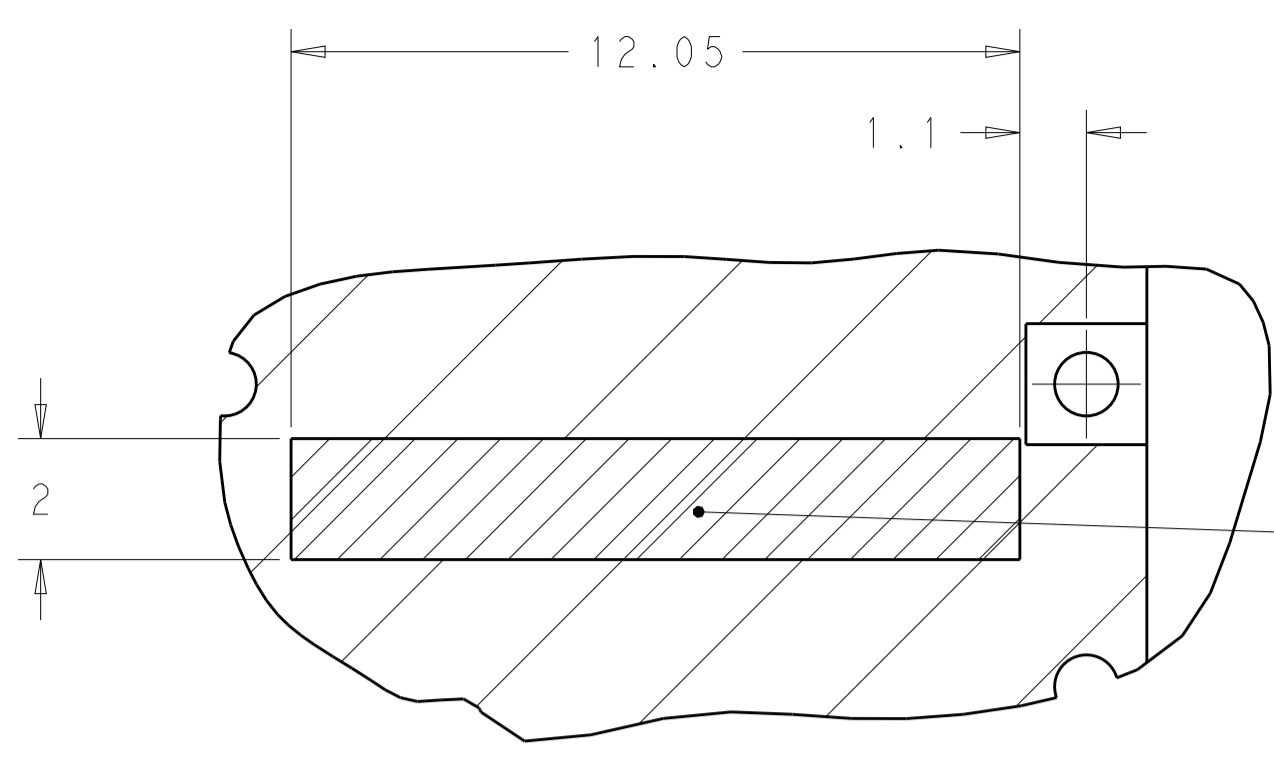
RECOMMENDED PCB CONFIGURATION WITH KEEP-OUT AREAS
SINGLE SIDED APPLICATIONS
SCALE 4:1

CROSS-HATCHED AREA DENOTES COMPONENT AND TRACE KEEP-OUT (EXCEPT CHASSIS GROUND)

THIS DRAWING IS A CONTROLLED DOCUMENT.		OWN: J. WANG 08AUG2014	TE Connectivity
DIMENSIONS: mm		CHK: S. HAN 08AUG2014	
TOLERANCES UNLESS OTHERWISE SPECIFIED:		APPD: S. HAN 08AUG2014	NAME: SFP+ ENHANCED 1X5 CAGE ASSEMBLY PRESS FIT, EXTERNAL EMI SPRINGS
0 PLC	±0.1	PRODUCT SPEC	SIZE: CAGE CODE DRAWING NO
1 PLC	±0.1	108-2364	RESTRICTED TO
2 PLC	±0.1	APPLICATION SPEC	A100779C=2284170
3 PLC	±0.1	114-13120	SCALE 4:1 SHEET 4 OF 5 REV A1
4 PLC	±0.1	WEIGHT	Customer Drawing
ANGLES	±		
MATERIAL			
FINISH			

LOC	DIST	REV	DATE	BY	APPV
GP	00				

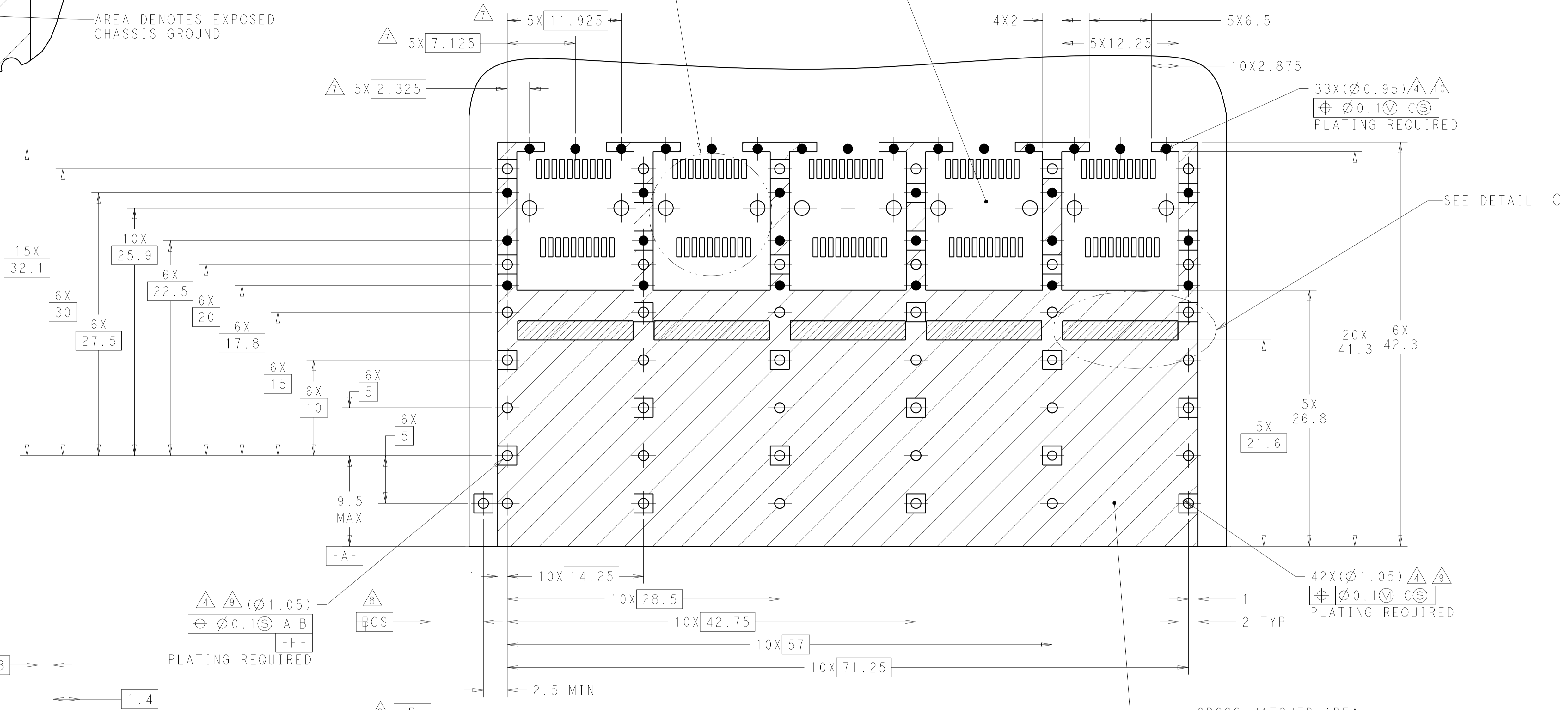
REVISIONS			
NO.	DESCRIPTION	DATE	BY
-	SEE SHEET 1	-	-



DETAIL C
5X INDIVIDUALLY
SCALE 8:1

AREA DENOTES EXPOSED CHASSIS GROUND

SEE DETAIL D
THIS AREA DENOTES COMPONENT KEEP-OUT (TRACES ALLOWED)

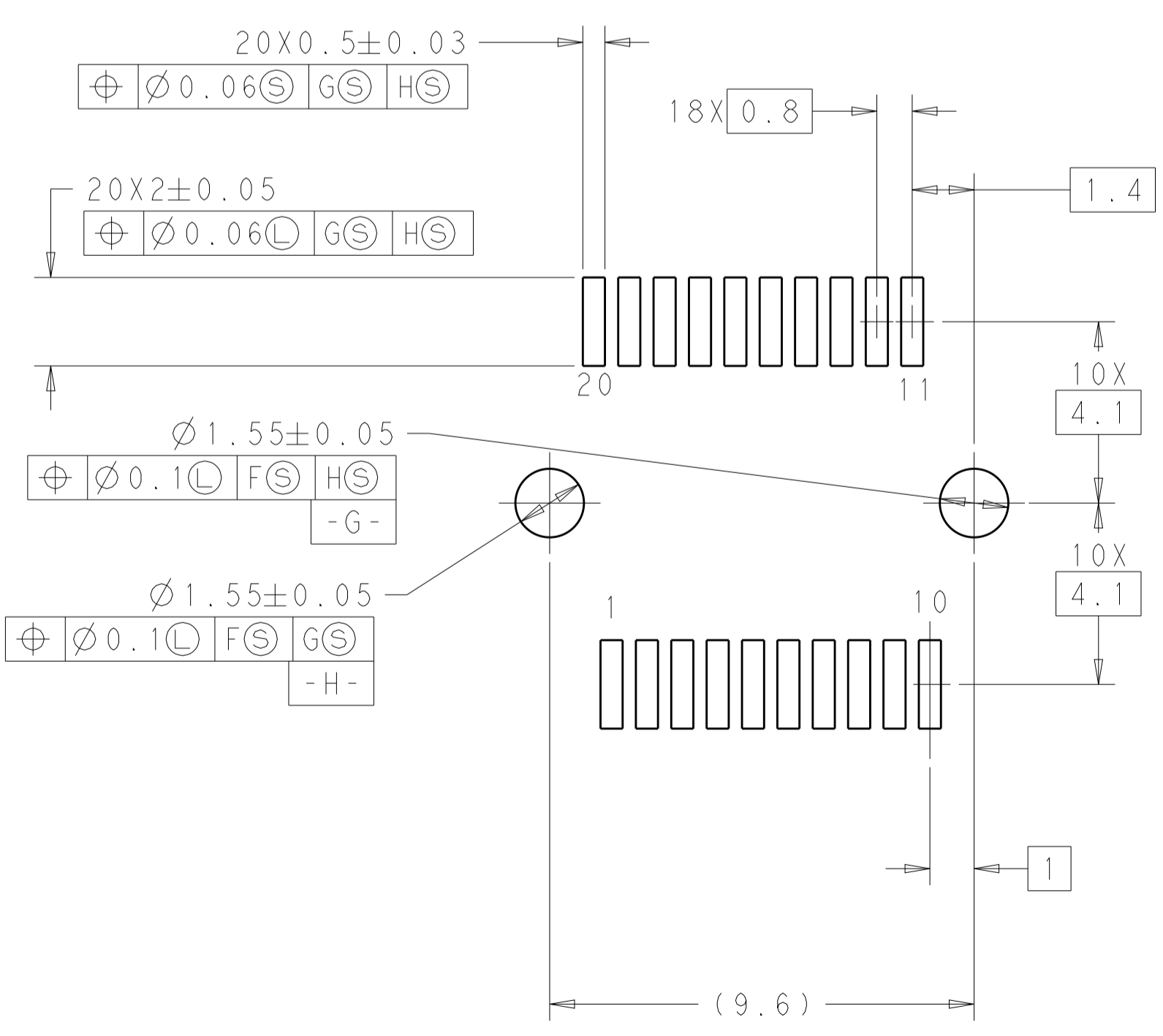


RECOMMENDED PCB CONFIGURATION WITH KEEP-OUT AREAS BELLY TO BELLY APPLICATIONS SCALE 4:1

CROSS-HATCHED AREA DENOTES COMPONENT AND TRACE KEEP-OUT (EXCEPT CHASSIS GROUND)

PLATING REQUIRED
Ø0.105
A B
-F-

PLATING REQUIRED
Ø0.105
A B
-F-



DETAIL D
RECOMMENDED PT CONNECTOR LAYOUT
10X INDIVIDUALLY
SCALE 8:1

THIS DRAWING IS A CONTROLLED DOCUMENT.		OWN: J. WANG 08AUG2014	TE Connectivity
DIMENSIONS: mm		CHK: S. HAN 08AUG2014	
TOLERANCES UNLESS OTHERWISE SPECIFIED:		APPV: S. HAN 08AUG2014	NAME: SFP+ ENHANCED 1X5 CAGE ASSEMBLY PRESS FIT, EXTERNAL EMI SPRINGS
0 PLC ±0.1	1 PLC ±0.1	PRODUCT SPEC 108-2364	SIZE: A1
2 PLC ±0.1	3 PLC ±0.1	APPLICATION SPEC 114-13120	CAGE CODE: 2284170
4 PLC ±0.1	ANGLES ±	WEIGHT	RESTRICTED TO
MATERIAL	FINISH	Customer Drawing	SCALE: 4:1 SHEET 5 OF 5 REV: A1

X-ON Electronics

Largest Supplier of Electrical and Electronic Components

Click to view similar products for [I/O Connectors](#) category:

Click to view products by [TE Connectivity](#) manufacturer:

Other Similar products are found below :

[571763P](#) [72.250.1628.2](#) [72.250.2428.2](#) [74720-0505](#) [76.350.0729.0](#) [76871-1403](#) [FCN-244F080-G/1](#) [FCN-260A9920](#) [MP-5T180MUNNA-005](#)
[PCR-E36PM](#) [PCS-XE26MA+](#) [G38A71314B](#) [1571250010](#) [157-22500-3](#) [MS3471L14-19P L/C](#) [91-569786-35H](#) [172501-4002](#) [172501-6002](#)
[FCN-260C008-A/L0](#) [FCN-260C024-AL0](#) [FCN-261Z008](#) [2000314-1](#) [200331-1](#) [PCR-E36FC+](#) [PCS-E28FS+](#) [PCS-XE26SLFD+](#) [PCS-](#)
[XE26SLFDT+](#) [G730VID08BDC24](#) [HDMR-29-01-S-SM-TR](#) [U90B2054081210](#) [UE86K842720321](#) [38113800006](#) [DP3AR020WQ1R200](#)
[Z4.102.0680.0](#) [500-1040](#) [500-1052](#) [500-1054](#) [ZP-4008-66L](#) [0709821002](#) [10-565995-597N](#) [DX40-20P\(55\)](#) [5554841-1](#) [U90B3054061110](#)
[U65-E04-4020](#) [ZPF000000000097891](#) [557-262M2-06C](#) [747360449](#) [10099439-003C-TRLF](#) [10137239-0021LF](#) [E9320-001-01](#)