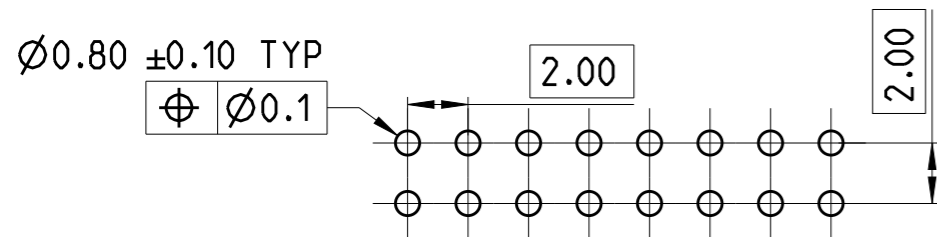
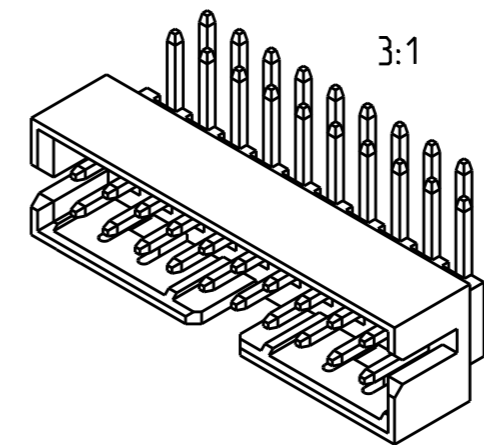
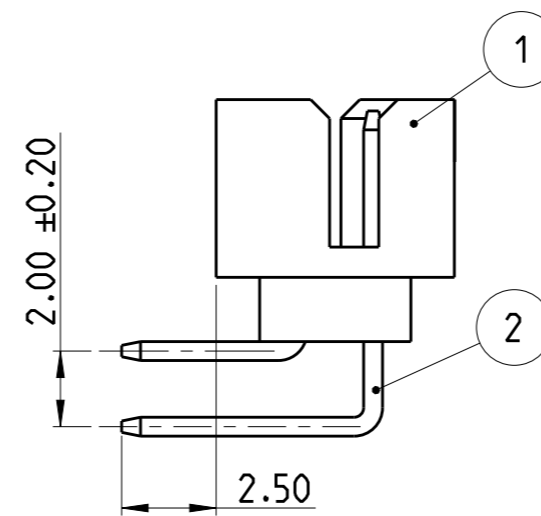
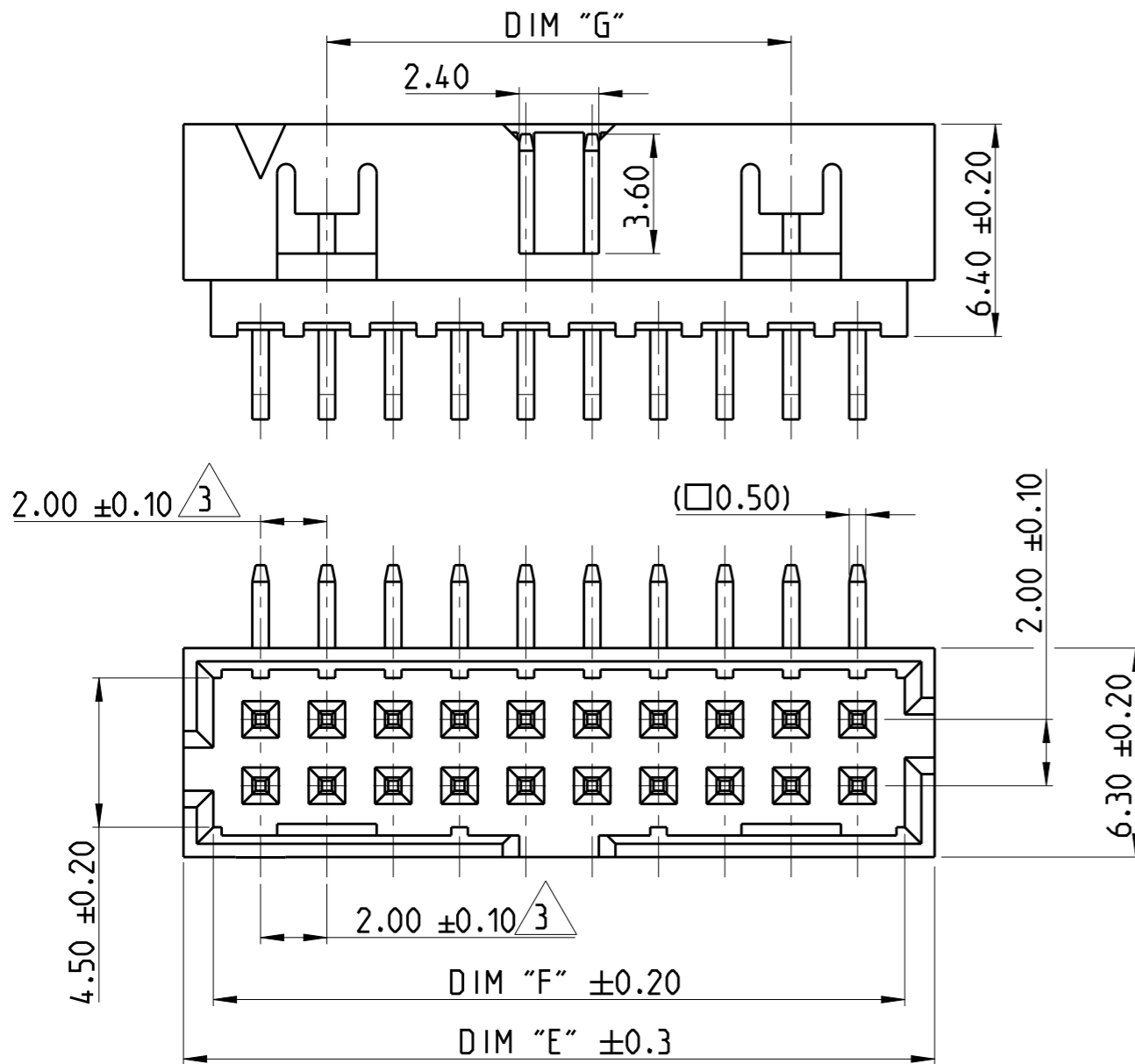


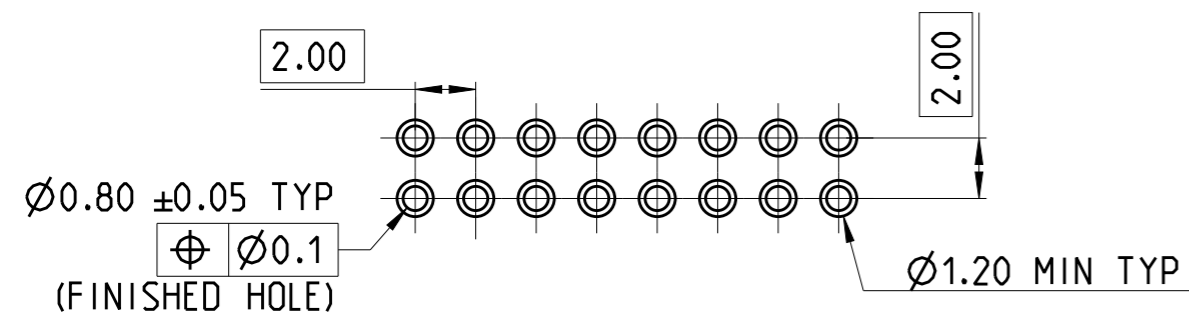
| P | LTR | DESCRIPTION | DATE | DWN | APVD |
|---|-----|-----------------------|-----------|-----|------|
| A | | RELEASE TO PRODUCTION | 29NOV2019 | AY | PS |

NOTES:

- MATERIAL
HOUSING : HIGH TEMPERATURE THERMOPLASTIC, UL94-V0; COLOR- BLACK
CONTACT PIN : COPPER ALLOY
FINISH :
MATING SIDE : MIN. 0.76 μ m GOLD OVER NICKEL UNDER PLATING.
SOLDER SIDE : MIN. 2.0 μ m TIN OVER NICKEL UNDER PLATING.
 - PACKAGING: TUBE.
- \triangle 3 TOLERANCE NOT CUMULATIVE.



RECOMMENDED PCB HOLE PATTERN FOR THROUGH HOLE WAVE



RECOMMENDED PCB HOLE PATTERN FOR THROUGH HOLE REFLOW/PIN-IN-PASTE

2-2842250-0 AS SHOWN

| | |
|-------------|----------|
| CONTACT PIN | 2 |
| HOUSING | 1 |
| DESCRIPTION | ITEM NO. |

| DIM "G" | DIM "F" | DIM "E" | POS. | TE PN |
|---------|---------|---------|------|-------------|
| 44 | 50.85 | 52.65 | 50 | 5-2842250-0 |
| 38 | 44.85 | 46.65 | 44 | 4-2842250-4 |
| 34 | 40.85 | 42.65 | 40 | 4-2842250-0 |
| 28 | 34.85 | 36.65 | 34 | 3-2842250-4 |
| 24 | 30.85 | 32.65 | 30 | 3-2842250-0 |
| 20 | 26.85 | 28.65 | 26 | 2-2842250-6 |
| 18 | 24.85 | 26.65 | 24 | 2-2842250-4 |
| 14 | 20.85 | 22.65 | 20 | 2-2842250-0 |
| 10 | 16.85 | 18.65 | 16 | 1-2842250-6 |
| 8 | 14.85 | 16.65 | 14 | 1-2842250-4 |

THIS DRAWING IS A CONTROLLED DOCUMENT.

DWN ANKIT YADAV 9SEP2019
CHK KARTHIK JK 12SEP2019
APVD PRASHANTH S 13SEP2019

DIMENSIONS: mm
TOLERANCES UNLESS OTHERWISE SPECIFIED:
0 PLC \pm
1 PLC ± 0.25
2 PLC \pm
3 PLC \pm
4 PLC \pm
ANGLES $\pm 2^\circ$
FINISH SEE NOTES

MATERIAL SEE NOTES

PRODUCT SPEC 108-64040
APPLICATION SPEC 114-32259
WEIGHT -

CUSTOMER DRAWING

NAME AMPMODU 2mm SHROUDED HEADER, DUAL ROW, RIGHT ANGLE, 0.76 Au, TUBE

SIZE A3 CAGE CODE 00779 DRAWING NO C-2842250 RESTRICTED TO -

SCALE 5:1 SHEET 1 OF 1 REV A

TE Connectivity

X-ON Electronics

Largest Supplier of Electrical and Electronic Components

Click to view similar products for [Board to Board & Mezzanine Connectors](#) category:

Click to view products by [TE Connectivity](#) manufacturer:

Other Similar products are found below :

[589158040000018](#) [MDF7C-18P-2.54DSA\(55\)](#) [FCN-230C068-11](#) [FCN-268F012-G/BD](#) [FCN-268F036-G/BD](#) [FCN-268M012-G/0D](#) [FCN-268M024-G/1D](#) [FCN-723J004/1](#) [MIS-048-01-F-D-DP-K](#) [832-10-034-10-001000](#) [FX4C-80S-1.27DSA](#) [FCN-214Q030-G/0](#) [FCN-234P048-G/0](#) [FCN-235D050-G/C](#) [210-93-314-41-105000](#) [2-22603-0](#) [MDF7-40DP-2.54DSA\(55\)](#) [AXG720047](#) [5031084030](#) [MIT-114-03-F-D-K](#) [55323-1519](#) [DF33-2P-3.3DSA\(24\)](#) [YFT-20-05-H-03-SB-K](#) [503308-3040](#) [026-6203-PDB](#) [027-6203-PDB](#) [069159702701000](#) [10123981-102LF](#) [101A10019X](#) [55650-0588-C](#) [68682-310LF](#) [68684-306](#) [75140-7012](#) [87471-650](#) [194261-1](#) [FCN-268F024-G0D](#) [10124054-515LF](#) [68685-603](#) [8-1616154-3](#) [MIS-019-01-F-D](#) [FCN-268M024-G/3D](#) [20021832-06016C1LF](#) [KX15-20KLDL-E1000E](#) [MDF7-16DP-2.54DSA\(55\)](#) [AXE810124](#) [FCN-214J100-G/0](#) [FCN-230C068-E/S](#) [AXE812124](#) [AXE816124](#) [AXE720127](#)