


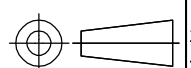
THIS DRAWING IS UNPUBLISHED. RELEASED FOR PUBLICATION  
 © COPYRIGHT - BY TYCO ELECTRONICS CORPORATION. ALL RIGHTS RESERVED.

LOC	DIST	REVISIONS					
CE	00	P	LTR	DESCRIPTION	DATE	DWN	APVD
			L	ECR-05-015022	21DEC05	KG	DK

△ P/N 228433-6 CONTAINS 2 SHEETS OF EACH OF THE FOLLOWING TYPES:  
 0.3um ALUMINUM OXIDE, 8.5 x 11  
 1um ALUMINUM OXIDE, 8.5 x 11  
 5um SILICON CARBIDE, 8.5 x 11  
 15um SILICON CARBIDE, 8.5 x 11

OBSOLETE	10	5um SILICON CARBIDE, 5.5 x 8.5	1-228433-6
OBSOLETE	10	0.3um ALUMINUM OXIDE, 5.5 x 8.5	1-228433-5
OBSOLETE	2	15um SILICON CARBIDE, 8.5 x 11	1-228433-4
OBSOLETE	100	1um ALUMINUM OXIDE, 8.5 x 11	1-228433-3
OBSOLETE	10	15um SILICON CARBIDE, 4.5 x 11	1-228433-2
OBSOLETE	10	5um SILICON CARBIDE, 4.5 x 11	1-228433-1
OBSOLETE	10	1um SILICON CARBIDE, 4.5 x 11	1-228433-0
	100	15um SILICON CARBIDE, 8.5 x 11	228433-9
	100	5um SILICON CARBIDE, 8.5 x 11	228433-8
	100	1um ALUMINUM OXIDE, 8.5 x 11	228433-7
OBSOLETE	8	△	228433-6
	100	0.3um ALUMINUM OXIDE, 9 x 11	228433-5
SUPERCEDED BY 228433-7	10	1um ALUMINUM OXIDE, 9 x 11	228433-4
SUPERCEDED BY 228433-8	10	5um SILICON CARBIDE, 9 x 11	228433-3
SUPERCEDED BY 228433-9	10	15um SILICON CARBIDE, 9 x 11	228433-2

MINIMUM ORDER QUANTITY	GRIT GRADE AND TYPE	PART NO
------------------------	---------------------	---------

THIS DRAWING IS A CONTROLLED DOCUMENT.		DWN K. GLATFELTER 14DEC2005	 Tyco Electronics Corporation Harrisburg, PA 17105-3608	
DIMENSIONS: mm		CHK D. KIRSCH 20DEC2005		
		APVD D. KIRSCH 20DEC2005	NAME LAPPING FILM, OPTIMATE	
TOLERANCES UNLESS OTHERWISE SPECIFIED:		PRODUCT SPEC	-	
0 PLC ± -		APPLICATION SPEC	-	
1 PLC ± -		WEIGHT	-	
2 PLC ± -		SIZE	A3	
3 PLC ± -		CAGE CODE	00779	
4 PLC ± -		DRAWING NO	C-228433	
ANGLES ± -		RESTRICTED TO	-	
FINISH		CUSTOMER DRAWING		
-		SCALE	NTS	
		SHEET	1 OF 1	
		REV	L	

## X-ON Electronics

Largest Supplier of Electrical and Electronic Components

*Click to view similar products for [Fibre Optic Connectors](#) category:*

*Click to view products by [TE Connectivity](#) manufacturer:*

Other Similar products are found below :

[0004700001](#) [6100-R](#) [6313](#) [F709034706](#) [F709722200](#) [F709730000](#) [F718183204](#) [F727403500](#) [F727752800](#) [8119](#) [9440F20-27S-190](#) [944-120-6001](#) [9441F10SL-3S](#) [9444W28-21S](#) [9444W36-10S](#) [9446F10SL-4S](#) [9446W20-16S](#) [953-101-5310-P](#) [954-101-57202B](#) [A0270169](#) [12-9122](#) [12-5702](#) [AX101713](#) [AX102420](#) [AX103923](#) [AX104024](#) [AX104193](#) [AX104230](#) [AX104498](#) [AX104562](#) [AX105203-B25](#) [AX105205-S1](#) [EHSC2M](#) [181-011-126](#) [181-011-S](#) [181-057-126](#) [HRFC-R2\(40\)](#) [NKSOPBUY](#) [20500002116](#) [2064996-1](#) [20800001065](#) [2170](#) [9132](#) [2612](#) [2620](#) [9291](#) [9440F16-10S](#) [9440F20-18S](#) [9442W14S-10P](#) [9446F16-10S-190](#)