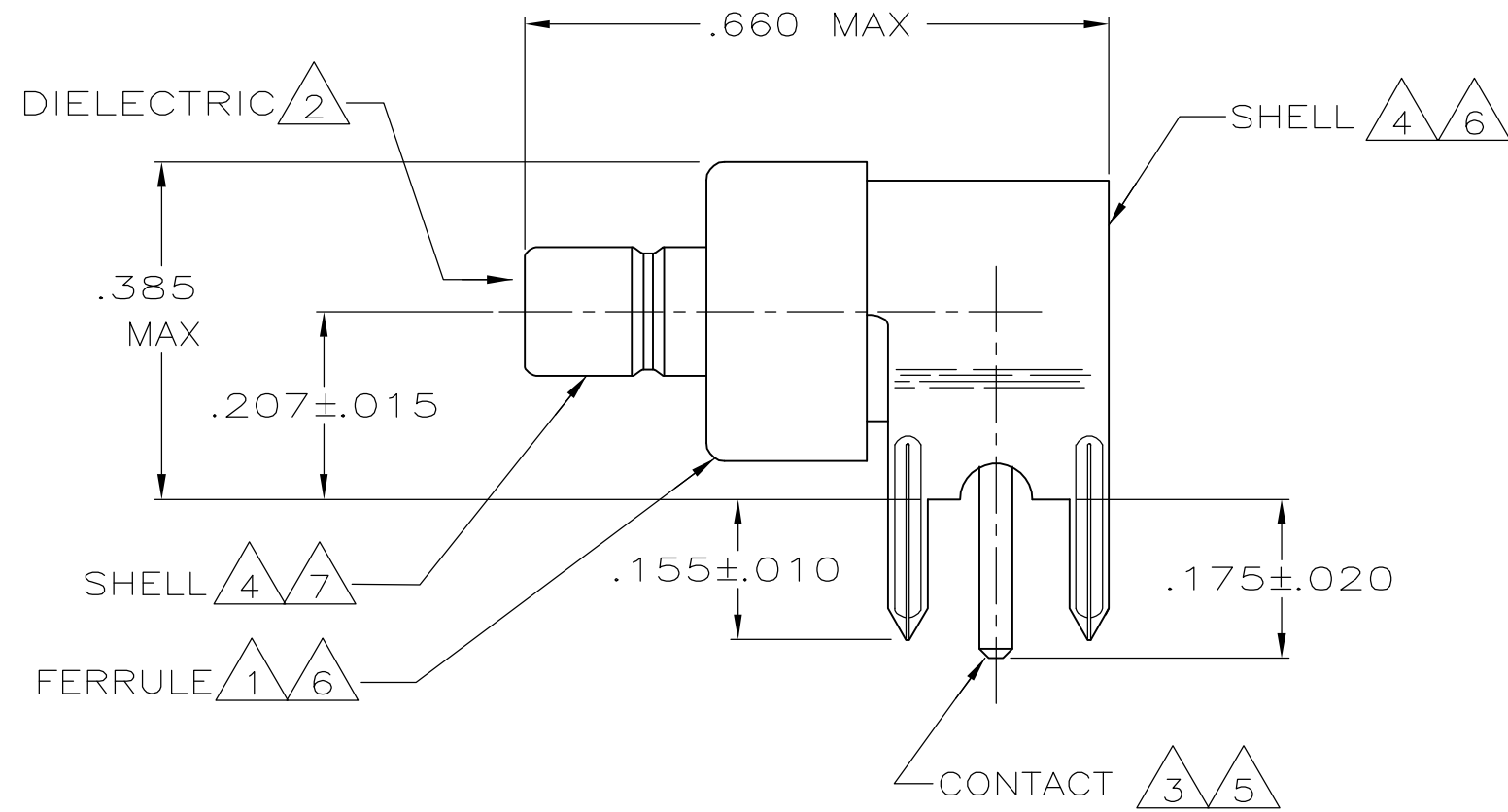


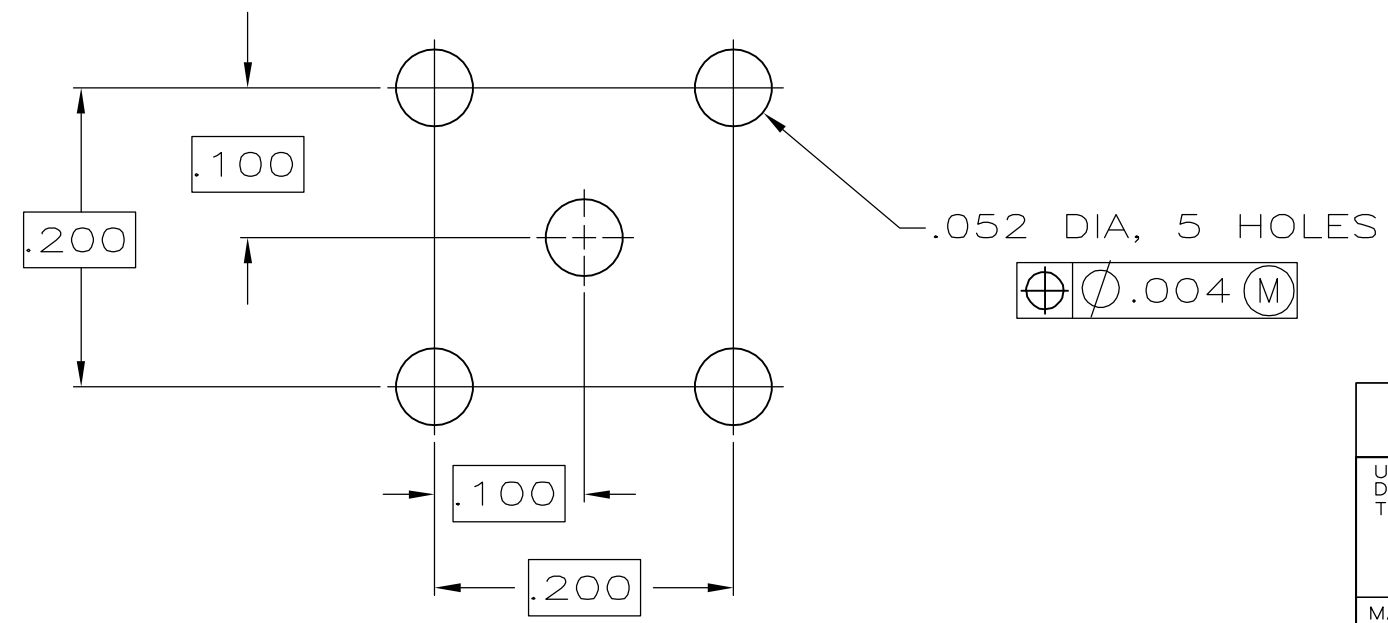
DRAWING MADE IN THIRD ANGLE PROJECTION

THIS DRAWING IS UNPUBLISHED. RELEASED FOR PUBLICATION, 19
 © COPYRIGHT 19 BY AMP INCORPORATED, HARRISBURG, PA. ALL INTERNATIONAL RIGHTS RESERVED. AMP PRODUCTS MAY BE COVERED BY U.S. AND FOREIGN PATENTS AND/OR PATENTS PENDING.

MOD	LOC	DIST	P	F	ZONE	LTR	DESCRIPTION	DATE	APPROVED
13	AJ	16				B	REVISED PER AJ-1969.	7-1-86	DH
			✓	✓		C	REV'D PER OS14-0380-04.	14SEP04	JGH



- 1 COPPER PER ASTM B 152.
- 2 POLYPROPYLENE, GENERAL PURPOSE.
- 3 BRASS PER ASTM B 16.
- 4 BRASS PER ASTM B 36.
- 5 GOLD PLATE PER ASTM B 488.
- 6 TIN PLATE PER ASTM B 545.
- 7 NICKEL PLATE PER QQ-N-290.
- 8. BOARD THICKNESS: .125 MAX.



REQUIRED PCB HOLE CONFIGURATION
 SCALE 8:1

UNLESS OTHERWISE SPECIFIED DIMENSIONS ARE IN INCHES TOLERANCES ON: 2 PL DEC ± 3 PL DEC ± .002 ANGLES ±		DR J. HAVENER 14SEP2004 CHK J. HAVENER 14SEP2004 APPD J. HAVENER 14SEP2004 APPD -	228435-1 PART NO	
MATERIAL 1 THRU 4	PRODUCT SPEC	AMP INCORPORATED Harrisburg, Pa. 17105		
FINISH 5 6 7	APPLICATION SPEC	NAME JACK, RIGHT ANGLE, PCB, COMMERCIAL SMB		
	WEIGHT	SIZE B	FSCM NO 00779	DRAWING NO 228435-1
		SCALE 5:1	SHEET 1 OF 1	

X-ON Electronics

Largest Supplier of Electrical and Electronic Components

Click to view similar products for [RF Connectors / Coaxial Connectors](#) category:

Click to view products by [TE Connectivity](#) manufacturer:

Other Similar products are found below :

[R125315120](#) [8915-1511-000](#) [89674-0827](#) [5916-1103-603](#) [6-0001-3](#) [6001-7071-019](#) [6002-7051-003](#) [6002-7551-202](#) [6059674-1](#) [619550-1](#)
[630059-000](#) [M39012/25-0021](#) [M39012/79-3008](#) [M39030/3-01N](#) [M39030/3-03N](#) [M3933/25-36N](#) [6500-7071-046](#) [M83723/72W24576](#)
[M83723/72W2457N](#) [6769](#) [CX050L2AQ](#) [7002-1541-010](#) [7002-1572-002](#) [7003-1572-002](#) [7010-1511-000](#) [7029-1511-060](#) [7101-1541-010](#)
[7101-1571-002](#) [7105-1521-002](#) [7145-1521-002](#) [7209-1511-011](#) [7210-1511-015](#) [7210-1511-019](#) [7225-1512-050](#) [7242-1511-000](#) [73137-5015](#)
[73251-0111](#) [73251-0672](#) [7325-1512-000](#) [73276-1501](#) [73366-0013](#) [73404-2300](#) [73413-6080](#) [73415-5721](#) [7405-1521-005](#) [7405-1521-802](#)
[7406-1521-005](#) [804S01D04M040](#) [8145-1521-002](#) [81590](#)