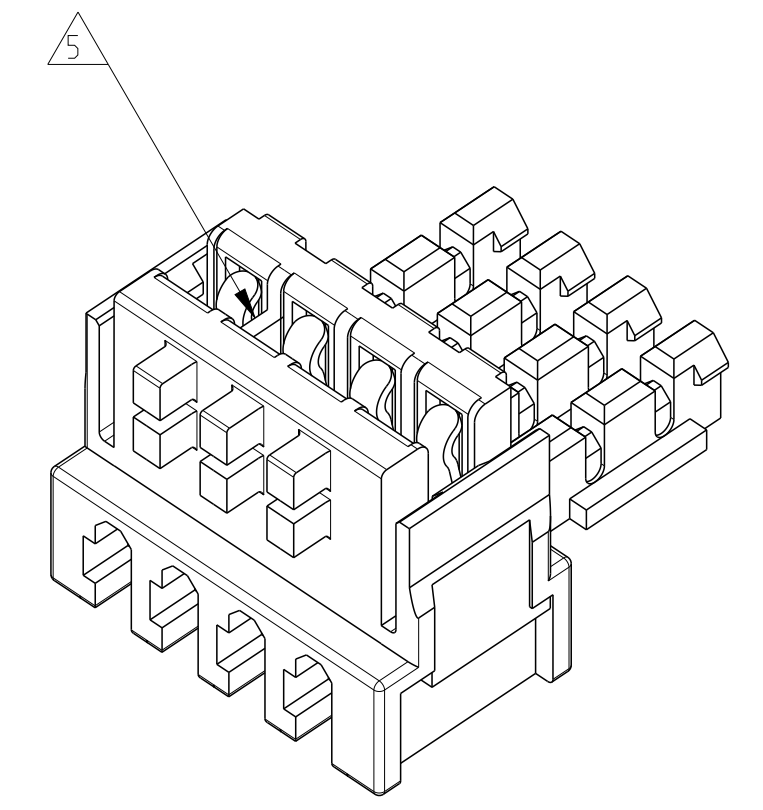
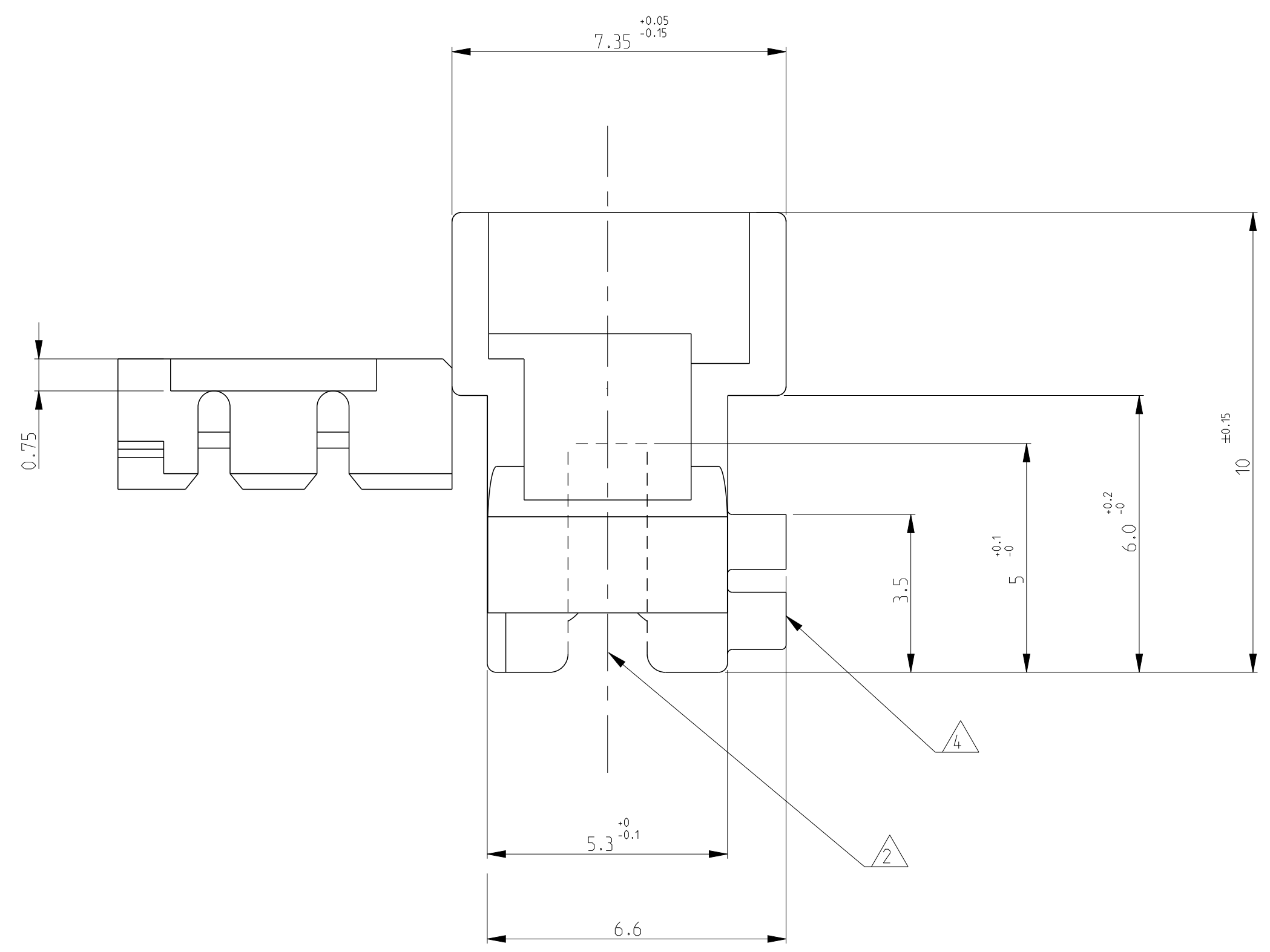
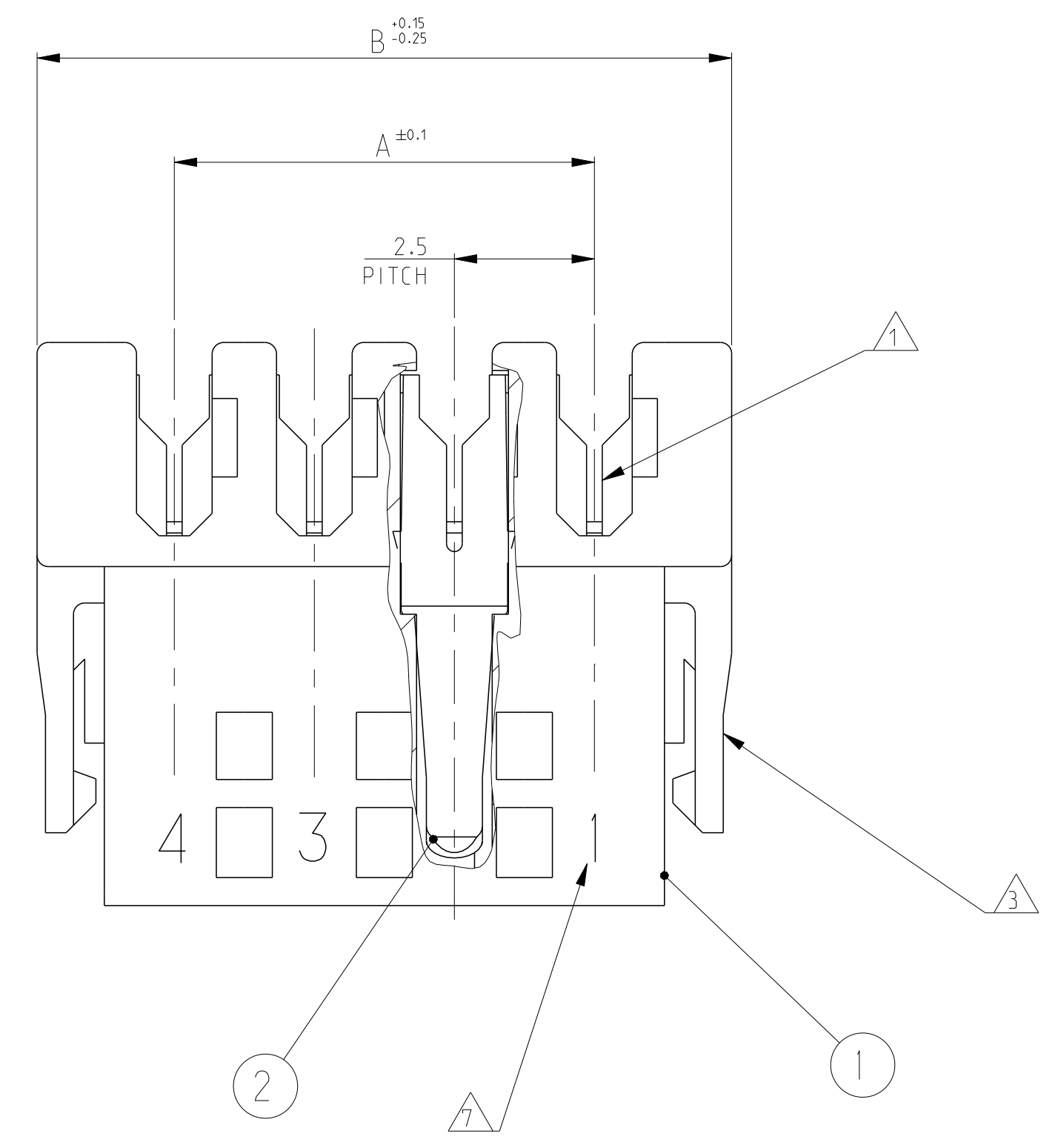
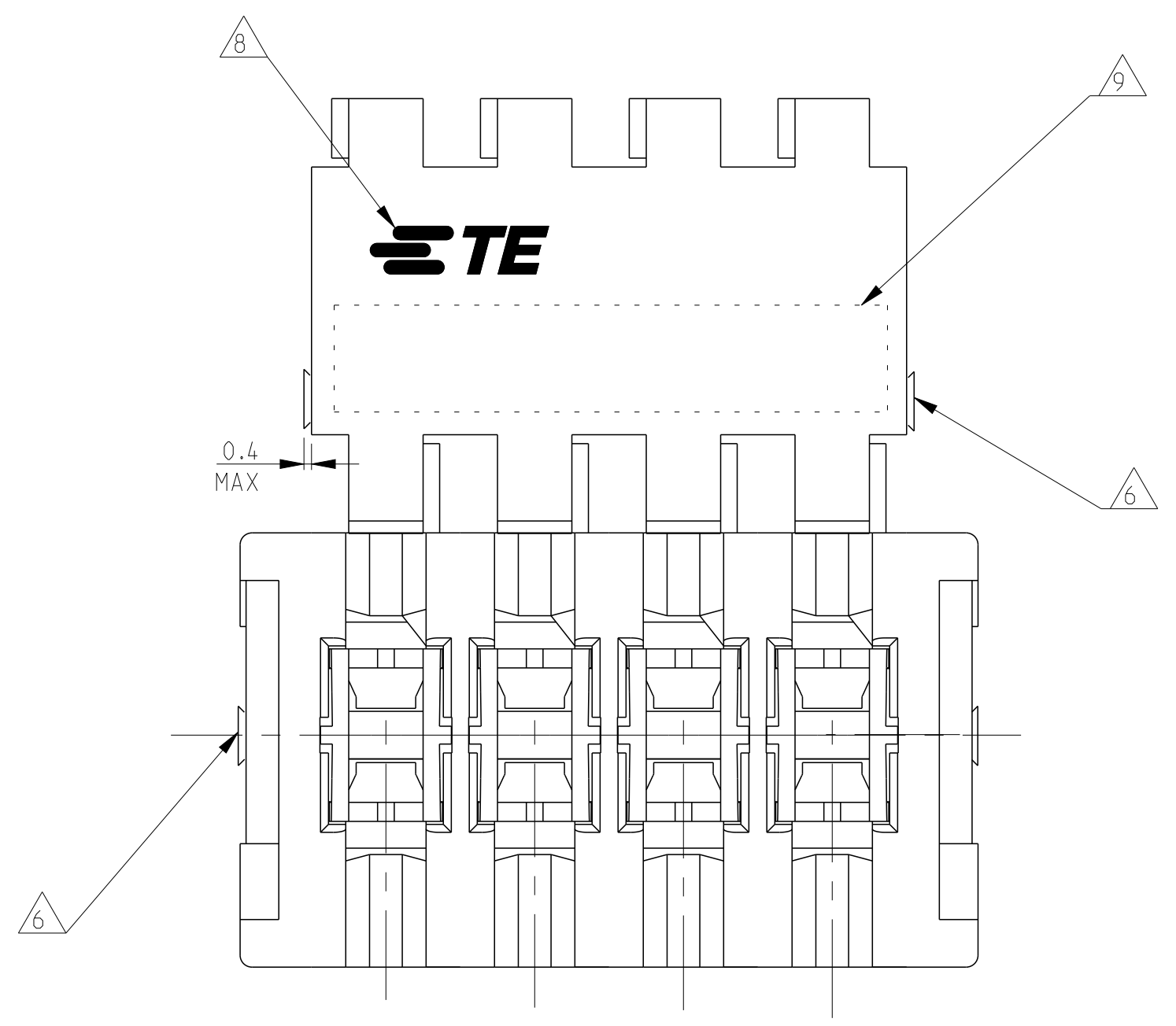


LOC	DIST	REVISIONS					
		P.	LTN	DESCRIPTION	DATE	DWN	APVD
		A17		REVISED PER ECR-15-012073	13AUG2015	NK	W W
		A18		ECR-15-016952	09DEC2015	KD	RR
		A19		ECR-16-016334	18NOV2016	FV	RR
		A20		ECR-17-009651	19JUL2017	RS	DC



SCALE 5:1



- 1 WIRE RANGE : STRANDED 0.22-0.35 mm² (INS. DIA. 1.30±0.1)
- 2 MATING PART: P.C.B. EDGE, DOUBLE SIDE, THK 1.5 (COPPER CLADDING INCLUDED)
- 3 SIDE LOCKING DEVICE
- 4 KEYING RIBS TO BE REMOVED BY TERMINATION MACHINE
- 5 POLARIZATION RIBS BETWEEN CAVITIES
- 6 CUT OFF DIMENSION DUE TO PRODUCTION PROCESS
- 7 CIRCUIT No. IDENTIFICATION
- 8 TE TRADEMARK (OPTIONAL POSITION)
- 9 TAMPOGRAPHIC COLOUR CODE AREA (P/Ns IDENTIFICATION BEFORE CRIMPING AREA)
- 10 FOR PCB LAYOUT, SEE PAGES 2-3
FOR CONNECTION VIEW LAYOUT, SEE PAGE 3
- 11 NOT YET RELEASED FOR PRODUCTION
- 12 NOT DEFINED DURING PRELIMINARY STATUS
- 13 PBT GF
- 14 PBT GF, UL94-V0 & GWPEPT 750 NO-FLAME, NATURAL

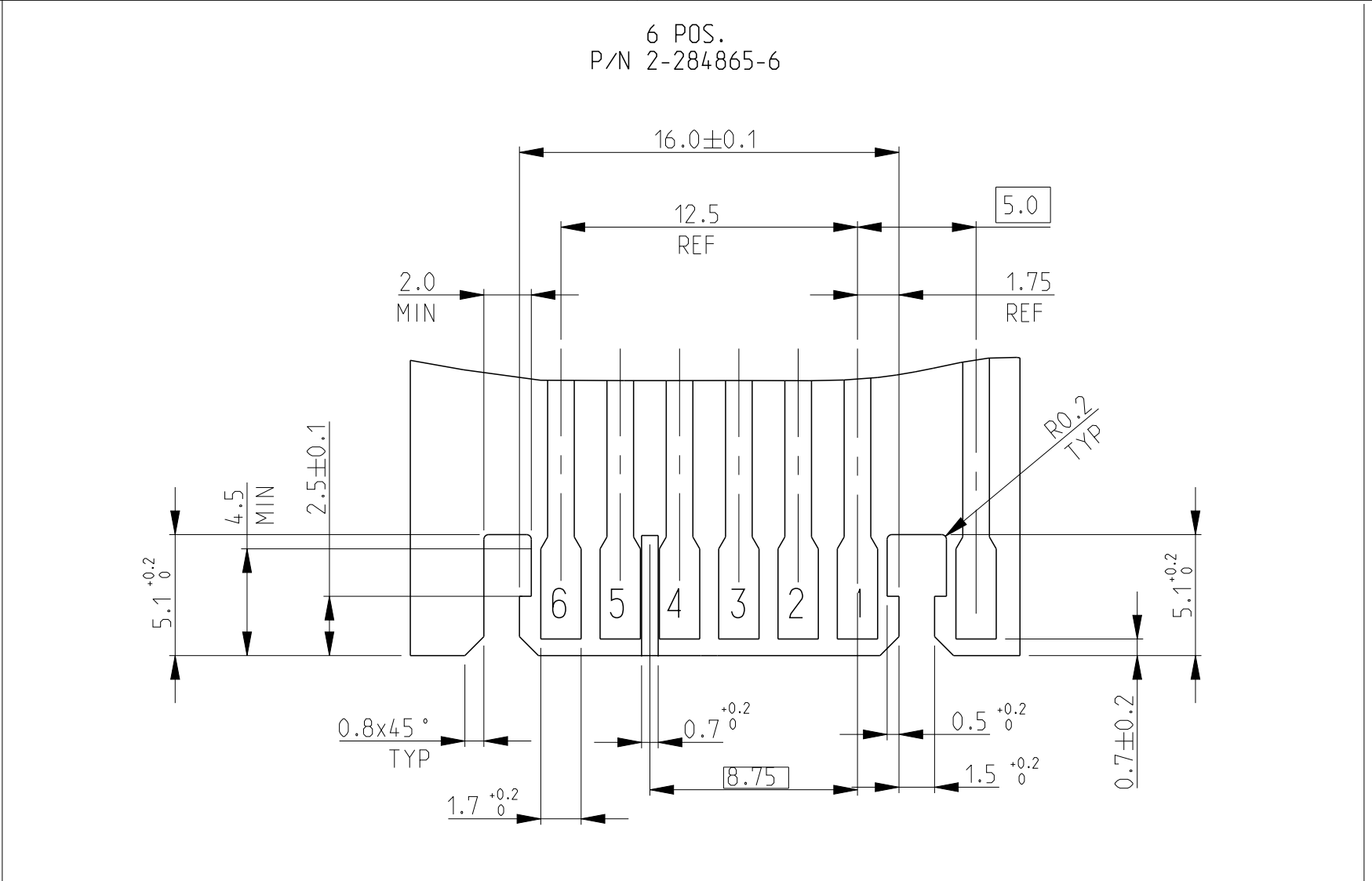
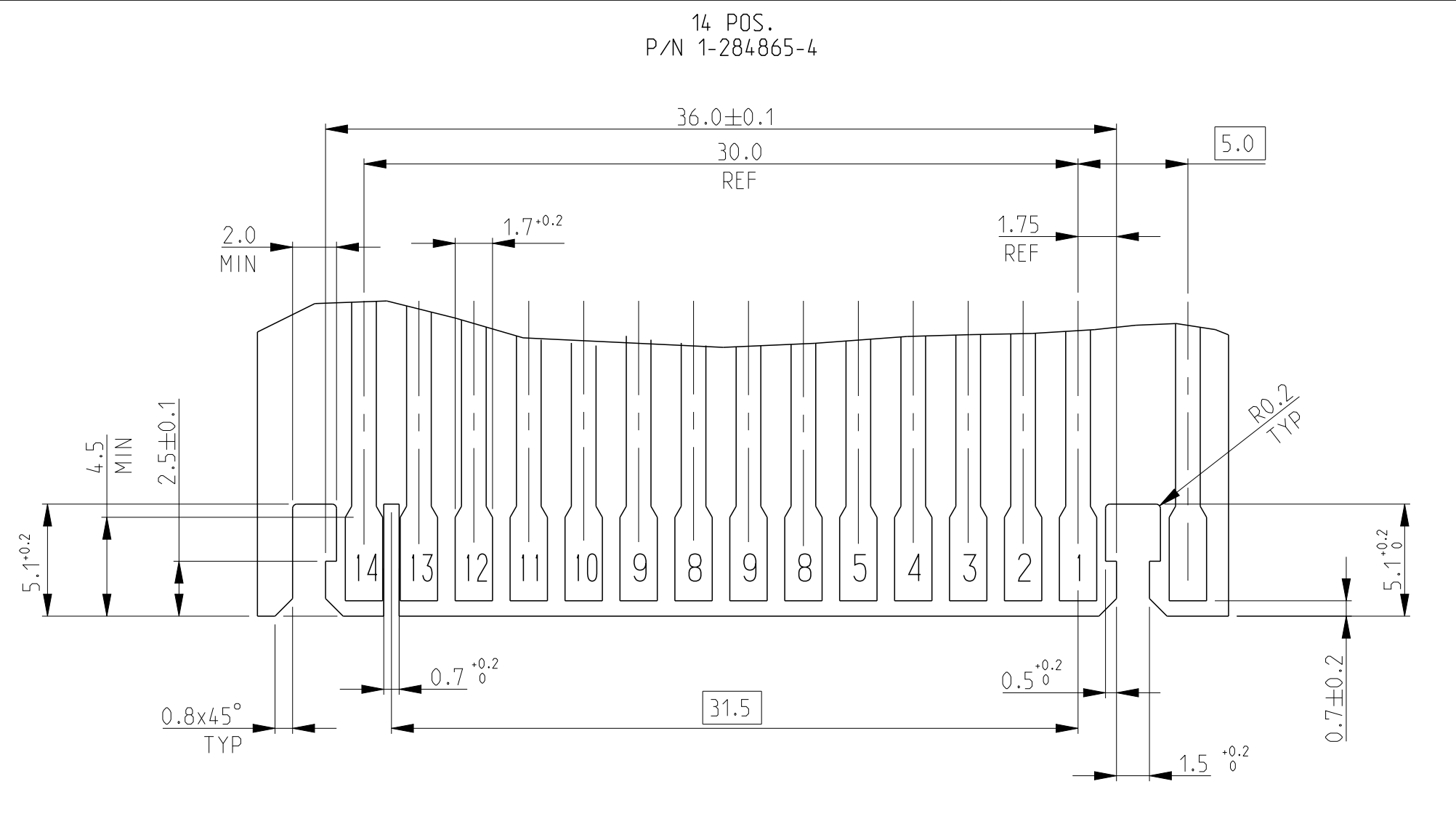
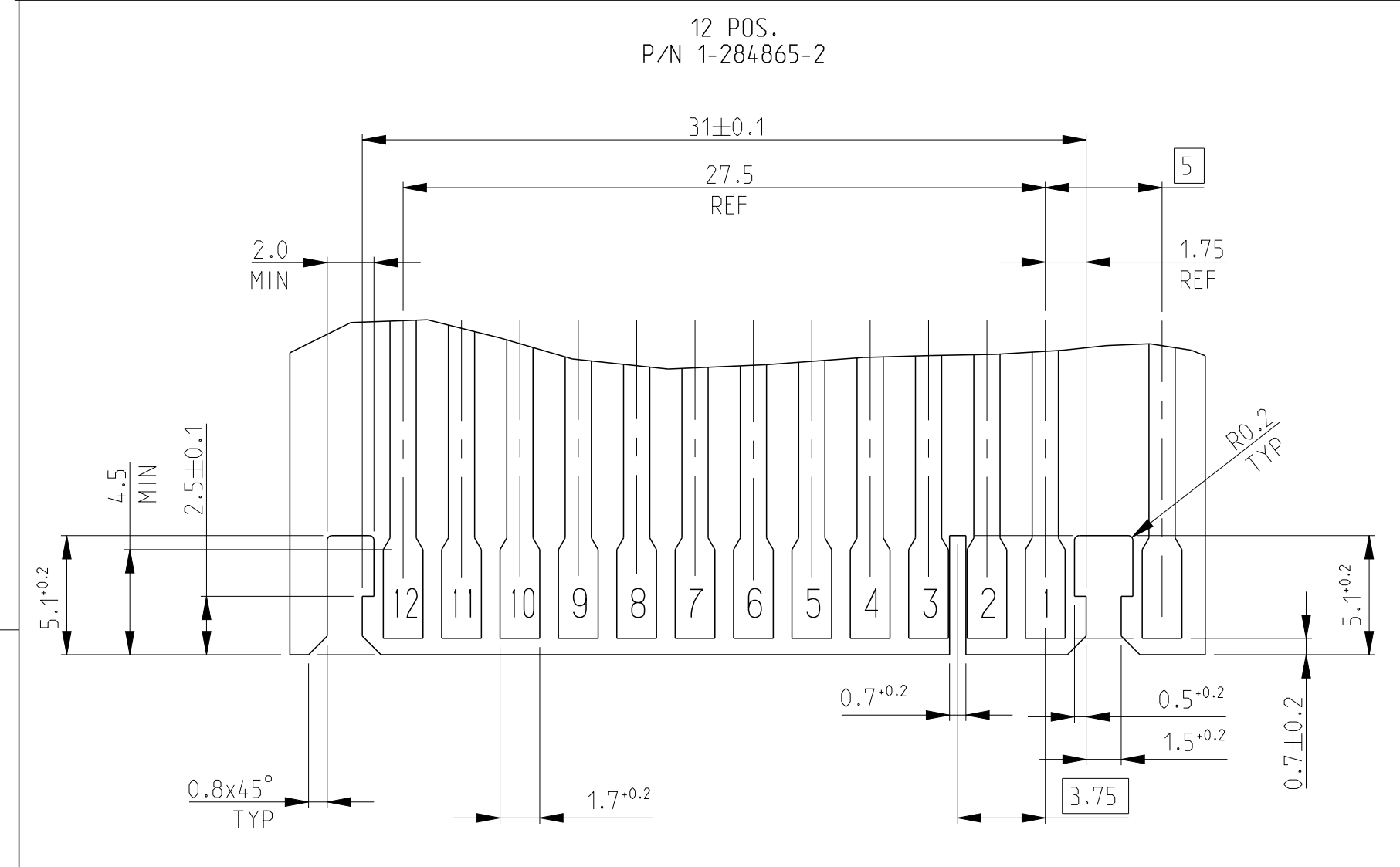
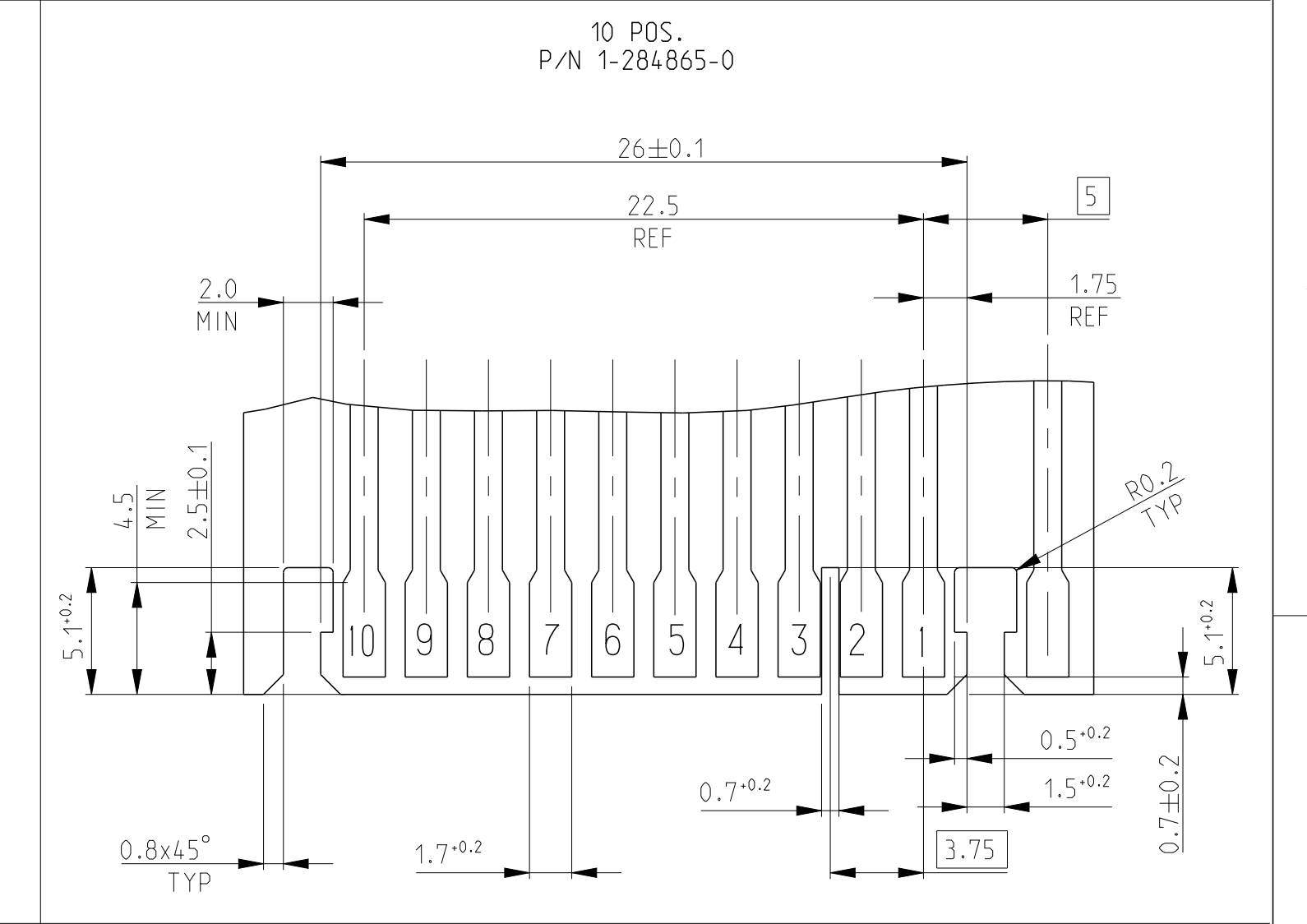
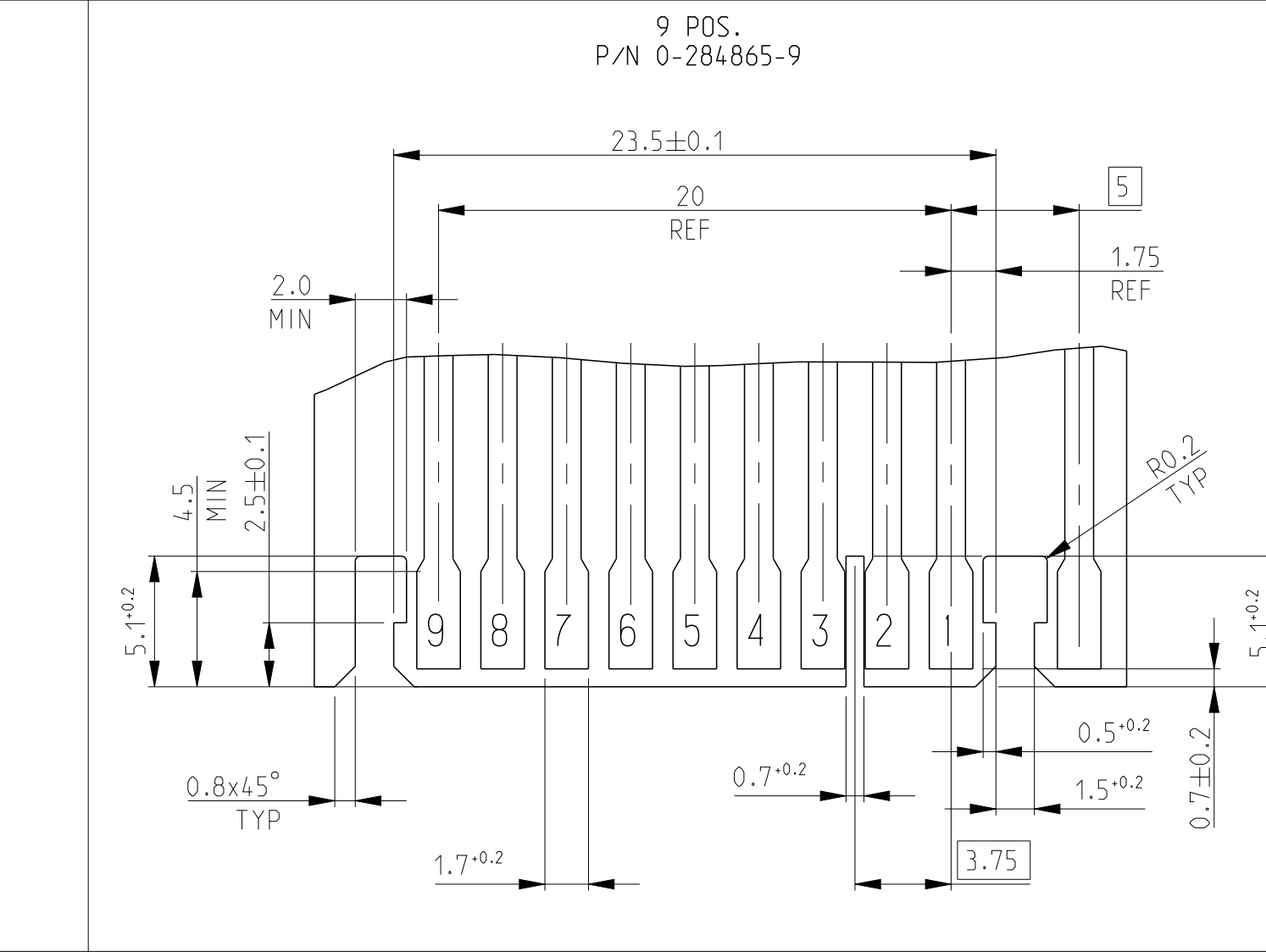
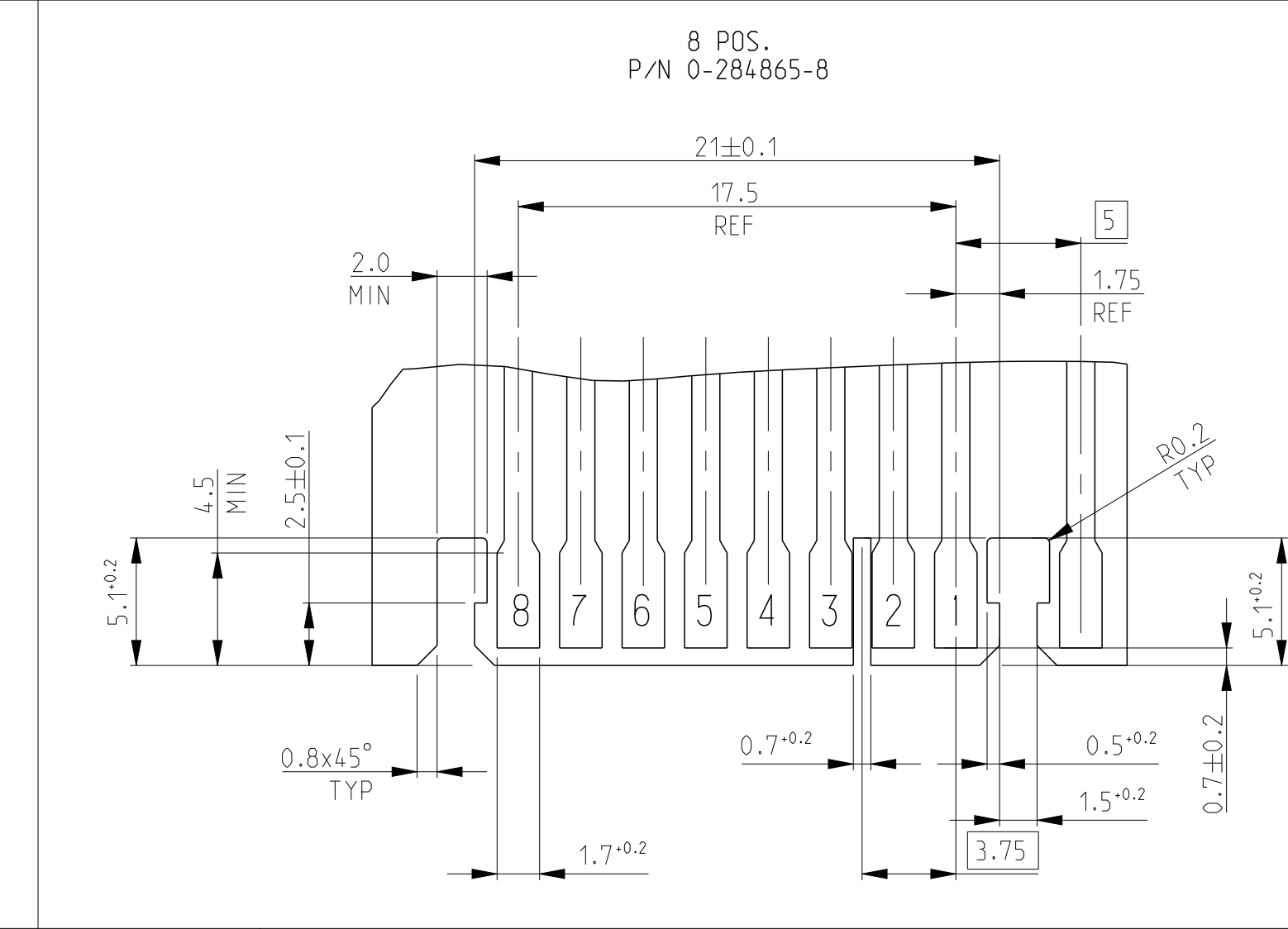
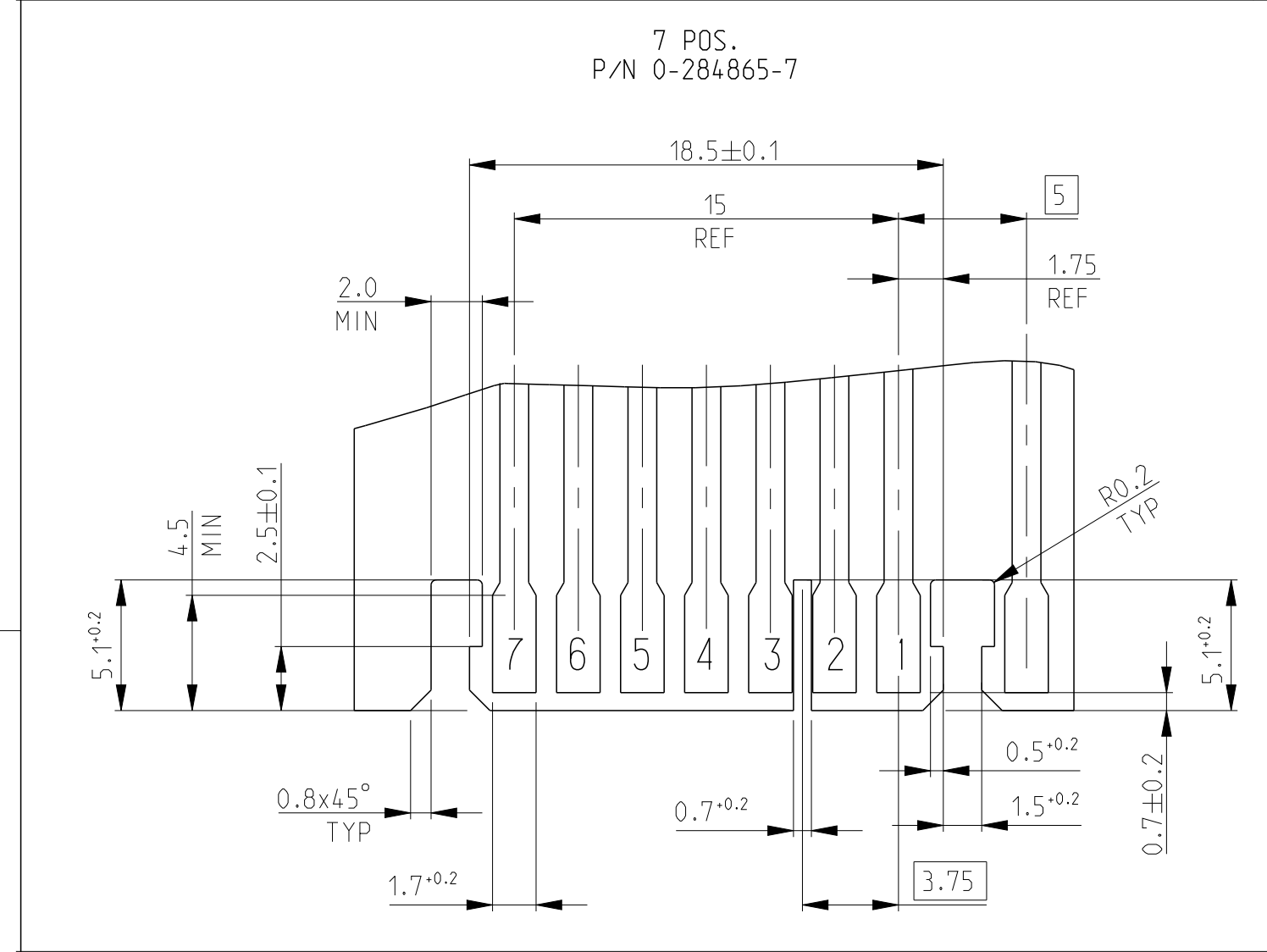
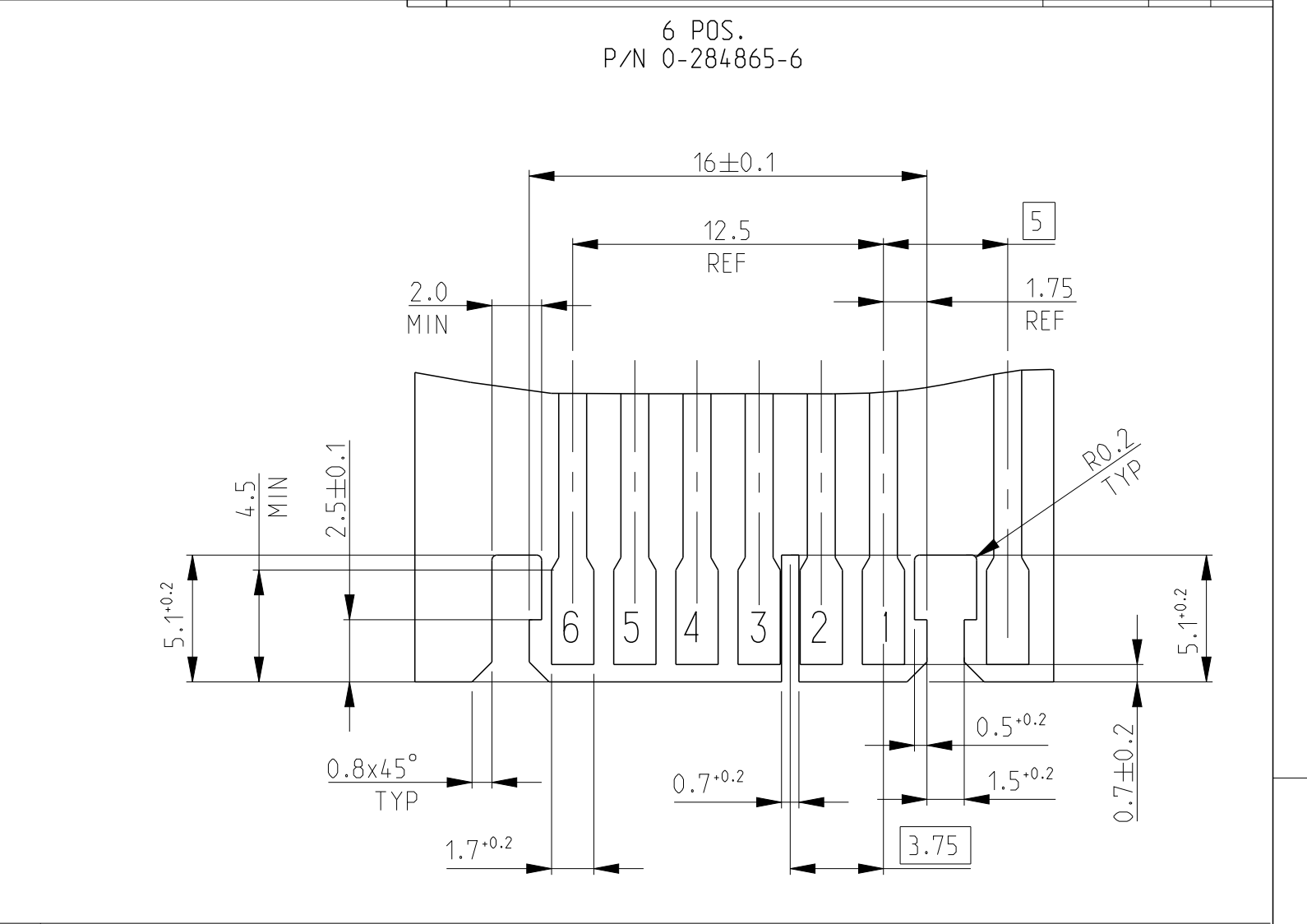
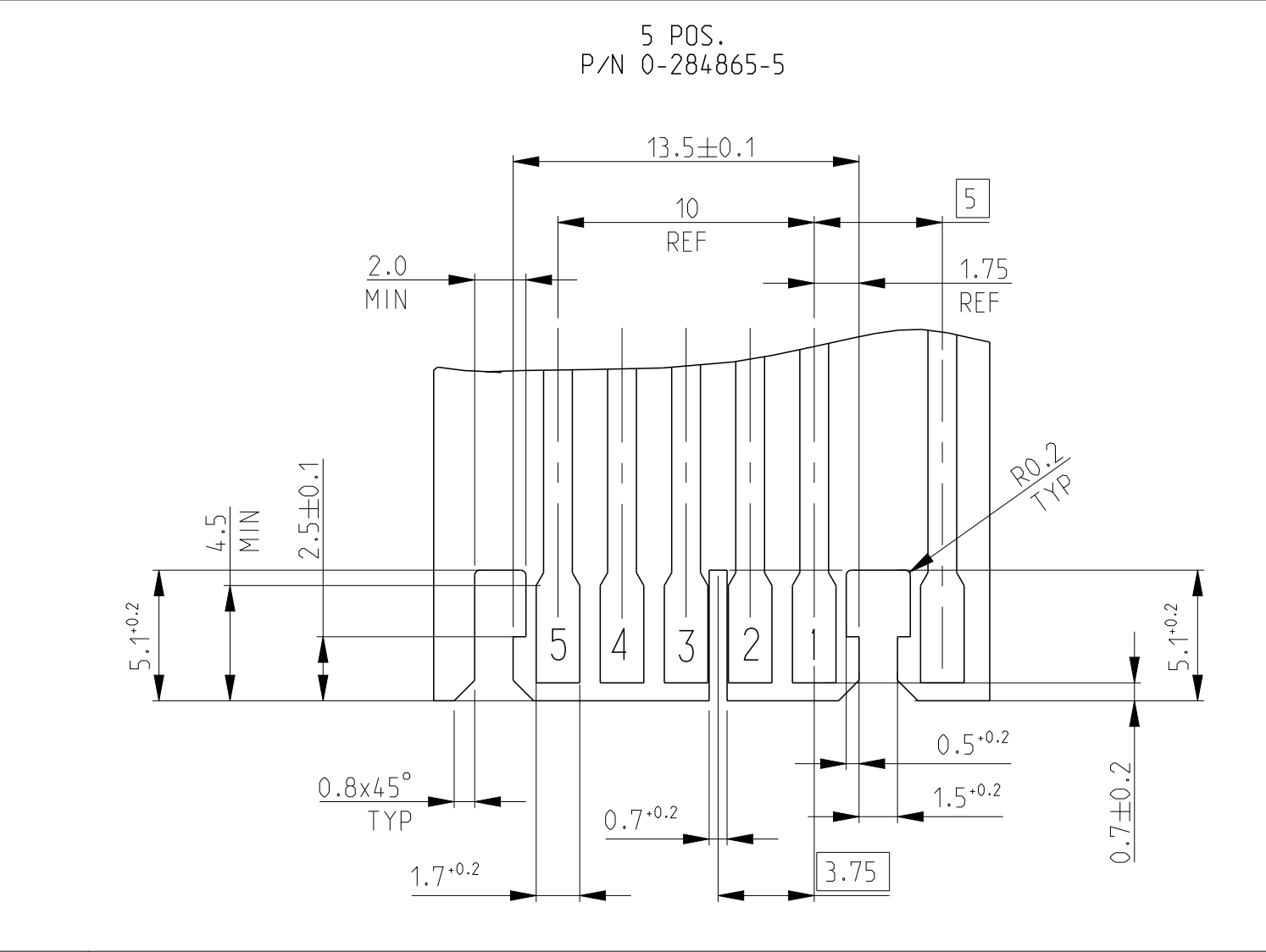
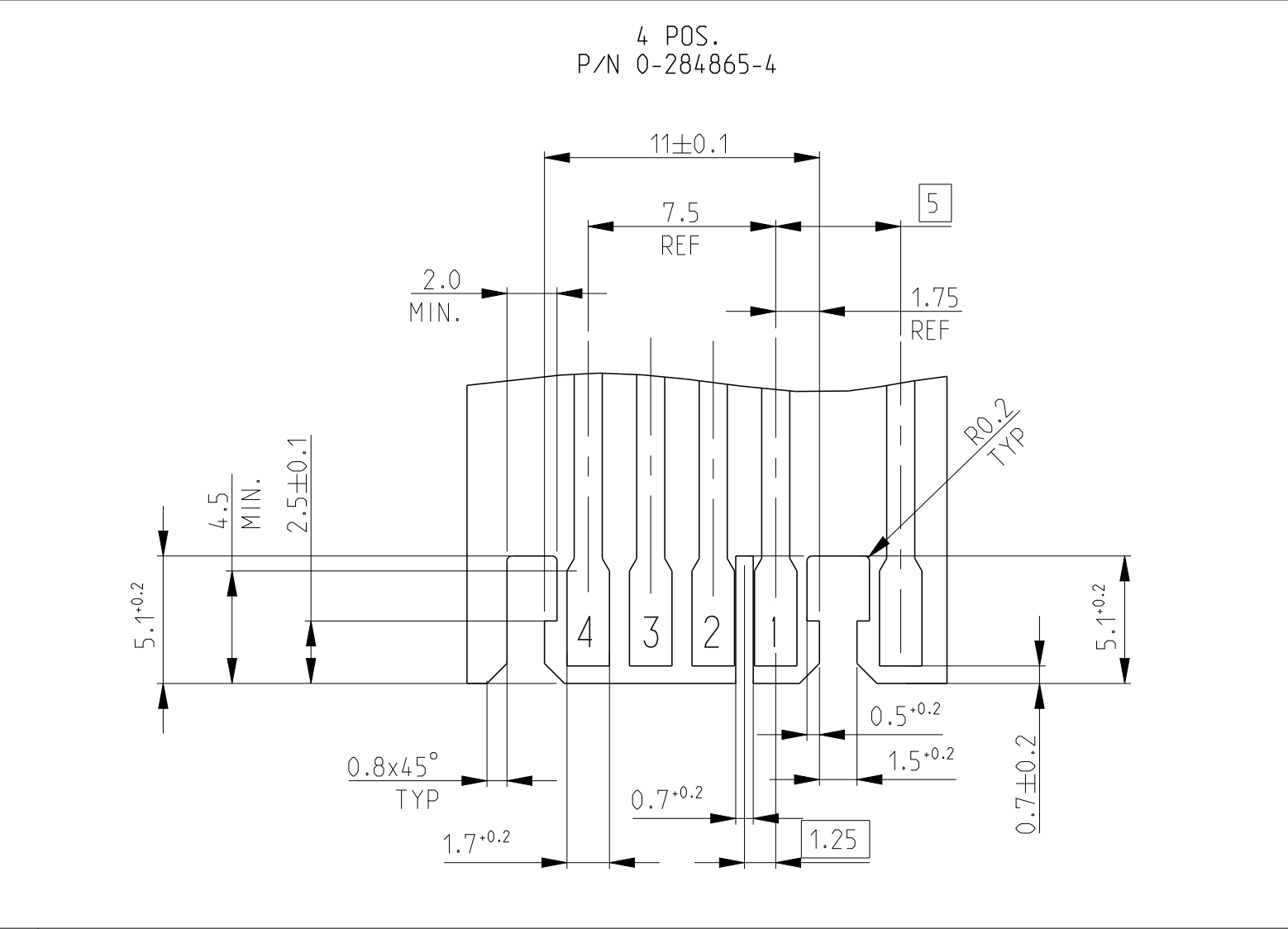
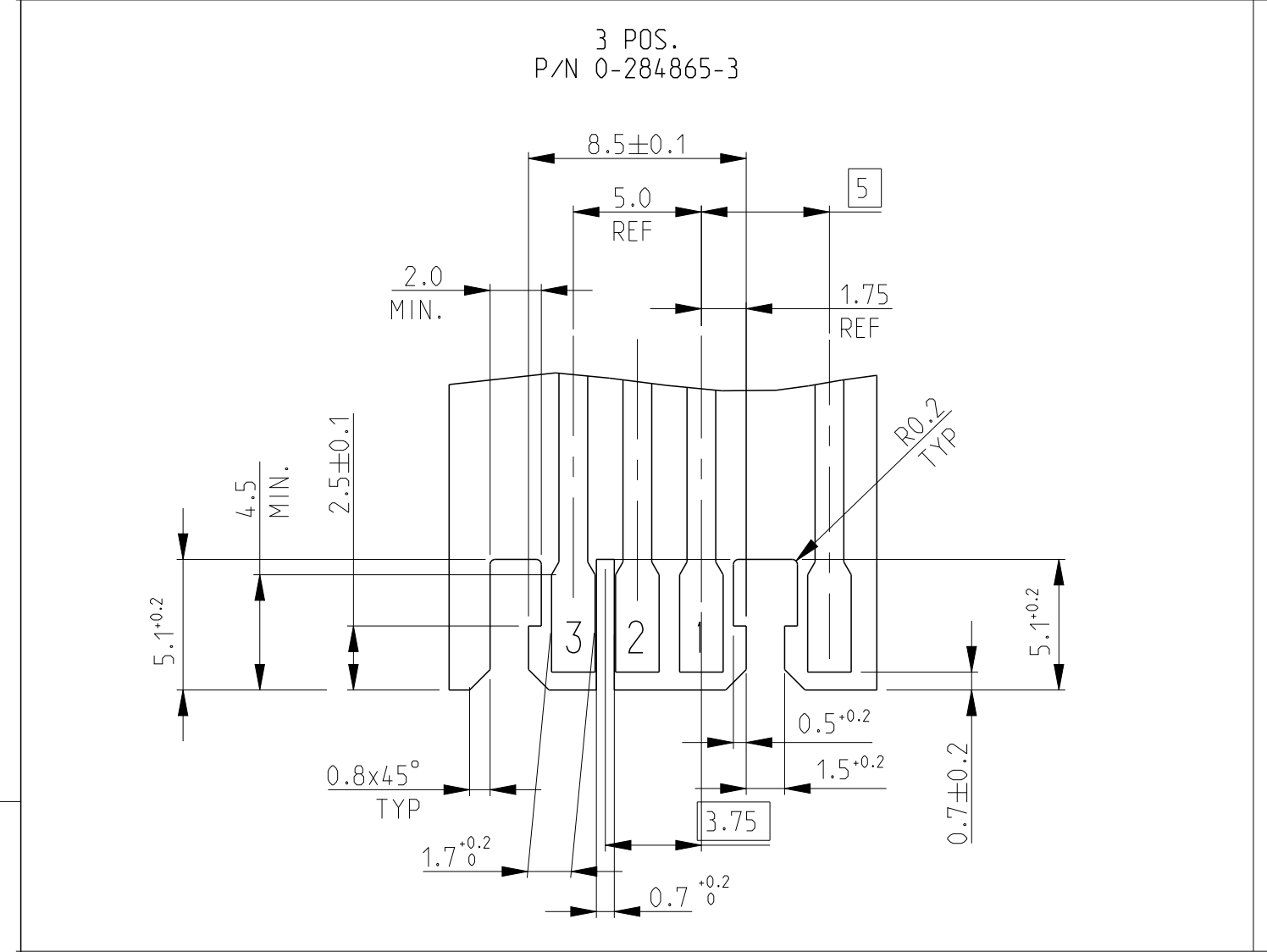
COLOUR CODE	POLARIZ. RIB POS.	HSG POS.	DIM.A	DIM.B	TE P/N	TE P/N	
BLACK	13/14	14	32.5	37.4	1-284865-4	2311503-4	
RED	11/12	12	27.5	32.4	2-284865-2	1-2311503-2	
BLACK	2/3	10	22.5	27.4	1-284865-2	2311503-2	
RED	9/10	10	22.5	27.4	2-284865-0	2-2311502-0	
BLACK	2/3	9	20.0	24.9	1-284865-0	1-2311502-0	
BLACK	2/3	9	20.0	24.9	0-284865-9	2311502-9	
RED	3/4	8	17.5	22.4	2-284865-8	1-2311502-8	
BLACK	2/3	8	17.5	22.4	0-284865-8	2311502-8	
BLACK	2/3	7	15.0	19.9	0-284865-7	2311502-7	
-	3/4				5-284865-6	4-2311502-6	
ORANGE	5/6				11 4-284865-6	11 3-2311502-6	
OBSOLETE	BLUE	1/2	6	12.5	17.4	3-284865-6	-
RED	4/5				2-284865-6	1-2311502-6	
BLACK	2/3				0-284865-6	2311502-6	
GREY	1/2				3-284865-5	2-2311502-5	
RED	3/4	5	10.0	14.9	2-284865-5	1-2311502-5	
BLACK	2/3	5	10.0	14.9	0-284865-5	2311502-5	
RED	3/4				3-284865-4	1-2311502-4	
OBSOLETE	RED	N/A			2-284865-4	-	
BLACK	1/2	4	7.5	12.4	0-284865-4	2311502-4	
RED	1/2	3	5.0	9.9	2-284865-3	1-2311502-6	
BLACK	2/3				0-284865-3	2311502-3	

P/N 0-284865-4 AS SHOWN

-		-		THIS DRAWING IS A CONTROLLED DOCUMENT.		03JUL2002		TE Connectivity	
SEE TABLE	PH. BRONZE, TIN PLATED	IDC RECEPTACLE CONTACT	2	DIMENSIONS: mm	TOLERANCES UNLESS OTHERWISE SPECIFIED:	APVD: TURCO		NAME: DUOPLUG 2.5 FEMALE CONN., SIDE LOCKING KEYED (FULLY LOADED)	
Q.TY	MATERIAL	DESCRIPTION	ITEM	0 PLC ±0.2 1 PLC ±0.2 2 PLC ±0.2 3 PLC ±0.2 4 PLC ±0.2 ANGLES ±1°		108-20238		SIZE: A1	
1				MATERIAL: SEE TABLE		116-18049-1		CAGE CODE: 00779	
REVISIONI DELL'ASSEMBLATO (REVISION OF EACH ASSY NO)		ELENCO DEI COMPONENTI (PARTS LIST)		FINISH: SEE TABLE		WEIGHT: -		SHEET 1 OF 4	
Customer Drawing		SCALE 10:1		REV A20		SHEET 1 OF 4		REVISIONS	

PCB LAYOUT -Soldering side-
 (SCALE 4:1)

LOC		DIST		REVISIONS			
P	LTN	DESCRIPTION	DATE	OWN	APVD		
-	-	SEE SHEET 1	-	-	-		



THIS DRAWING IS A CONTROLLED DOCUMENT. OWN: R. FABRIS 03JUL2002
 DIMENSIONS: mm
 TOLERANCES UNLESS OTHERWISE SPECIFIED:
 0 PLC # # # # #
 1 PLC # # # # #
 2 PLC # # # # #
 3 PLC # # # # #
 4 PLC # # # # #
 ANGLES # # # # #
 MATERIAL: SEE TABLE
 FINISH: SEE TABLE

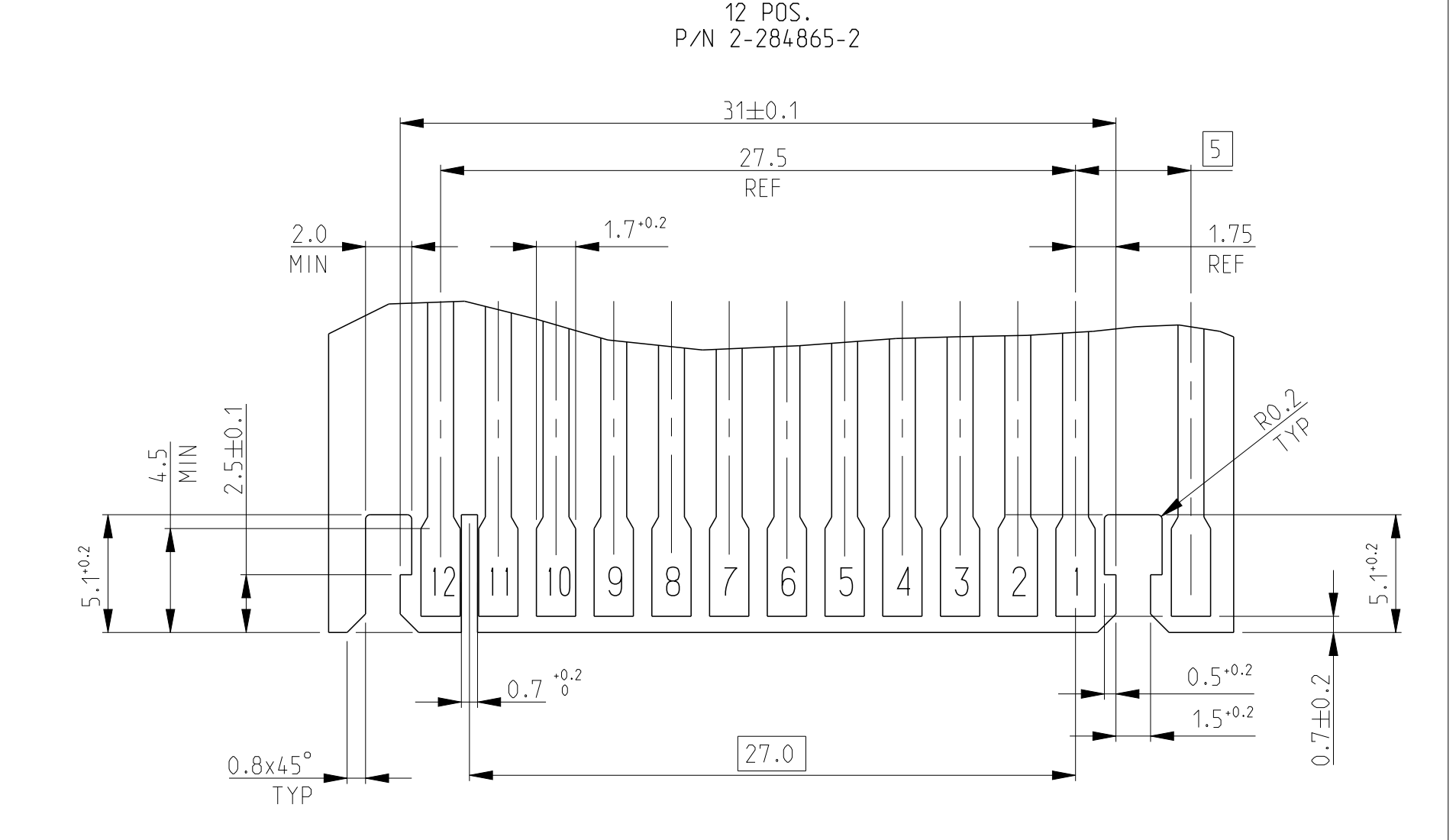
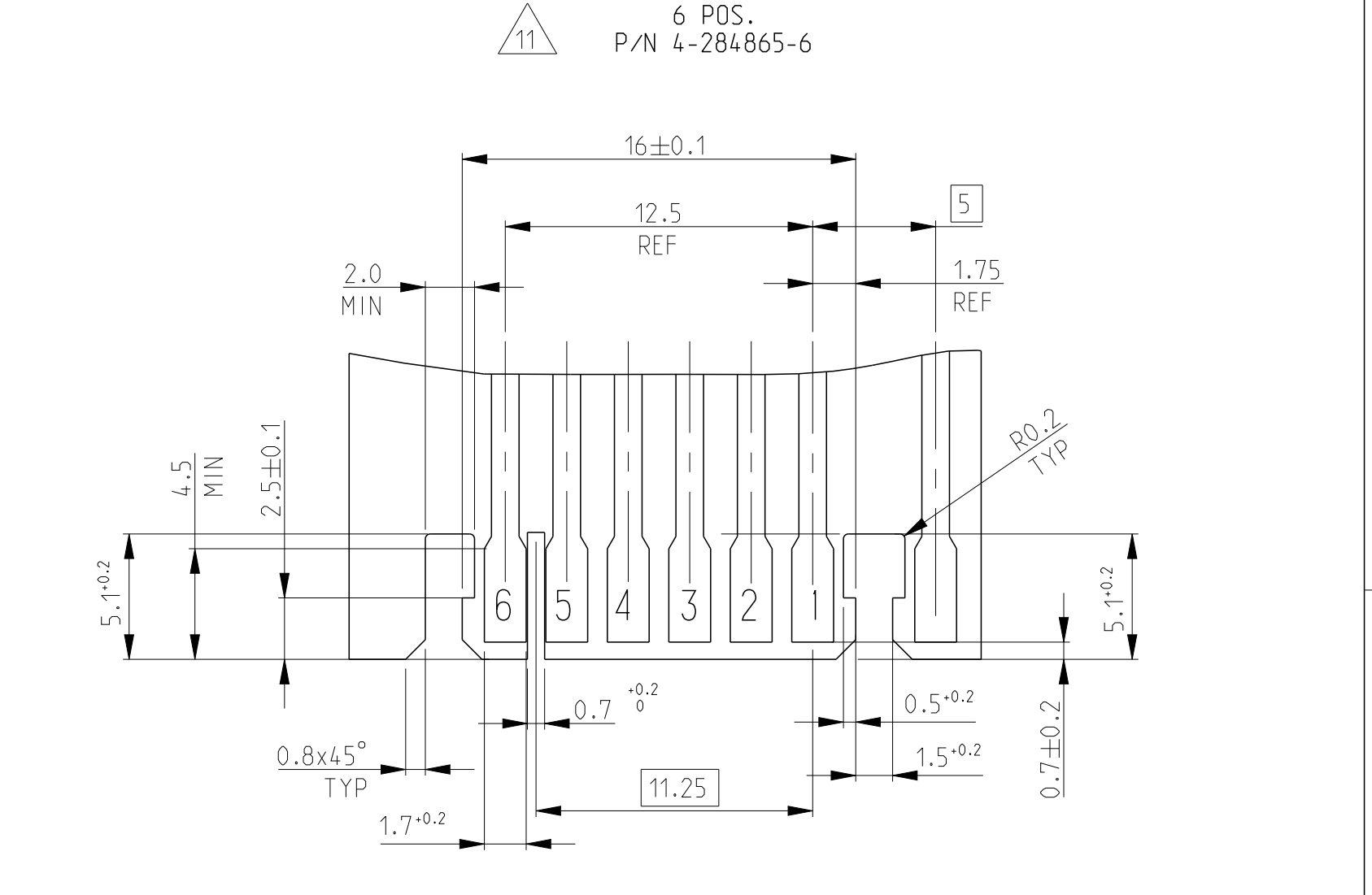
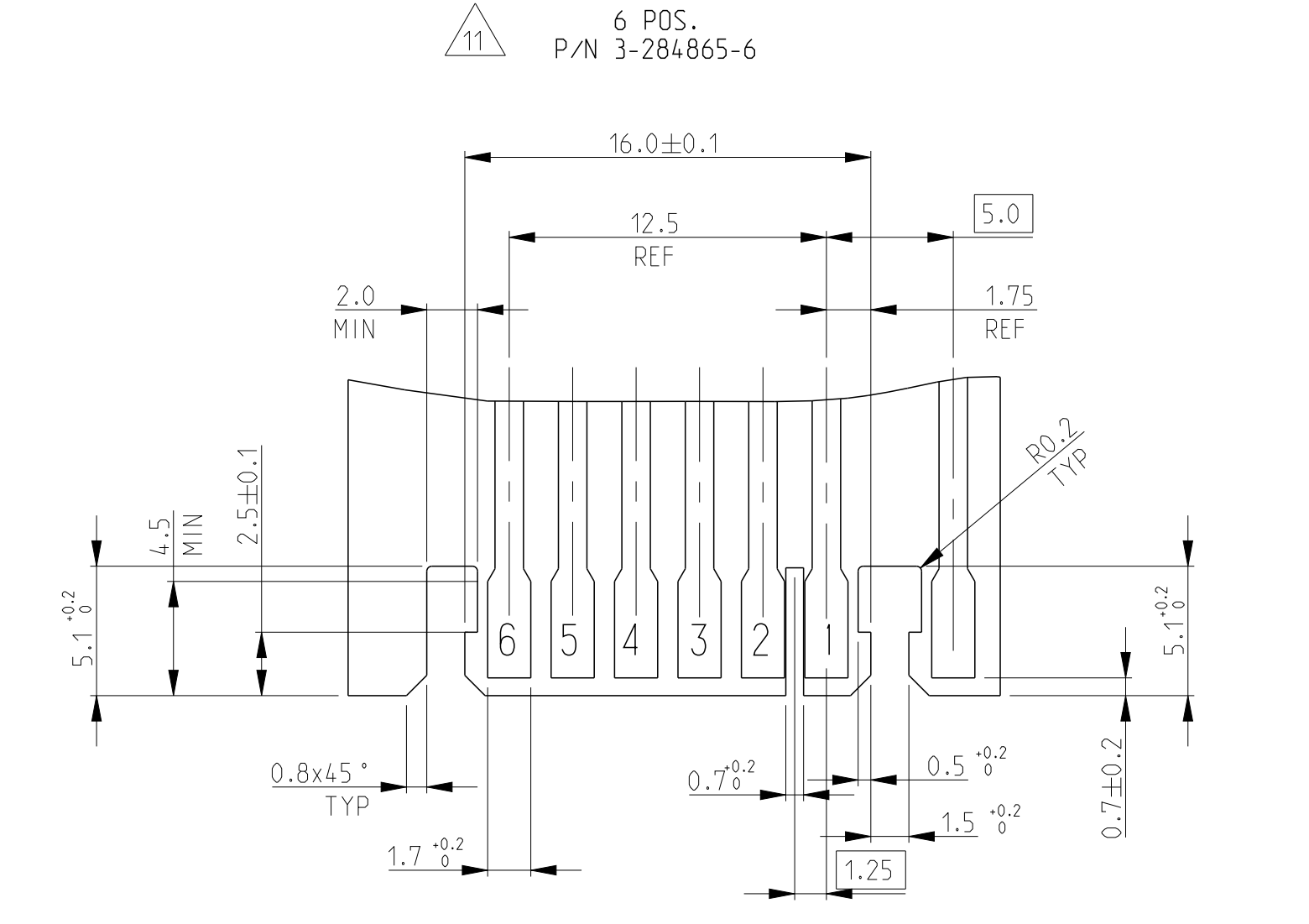
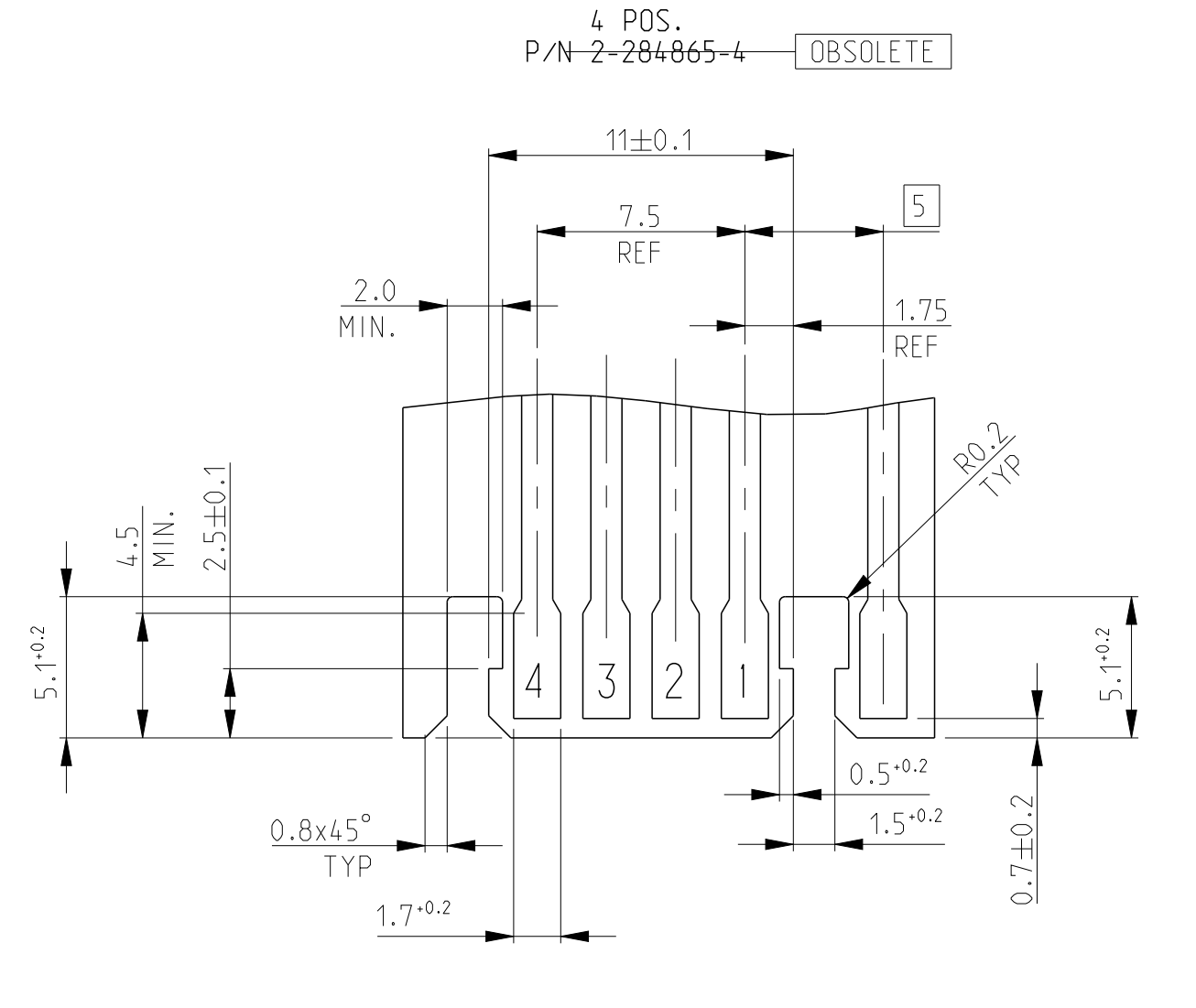
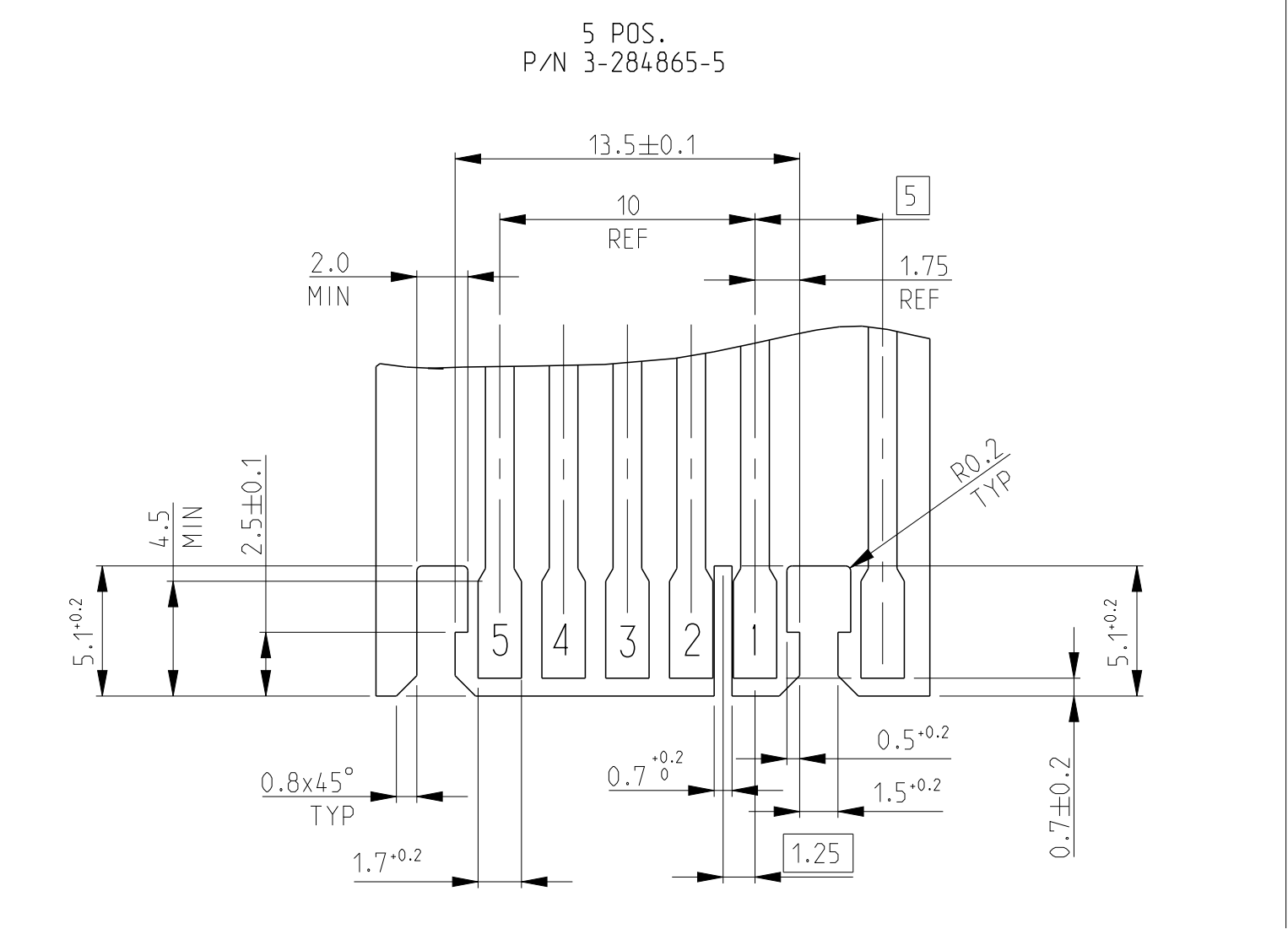
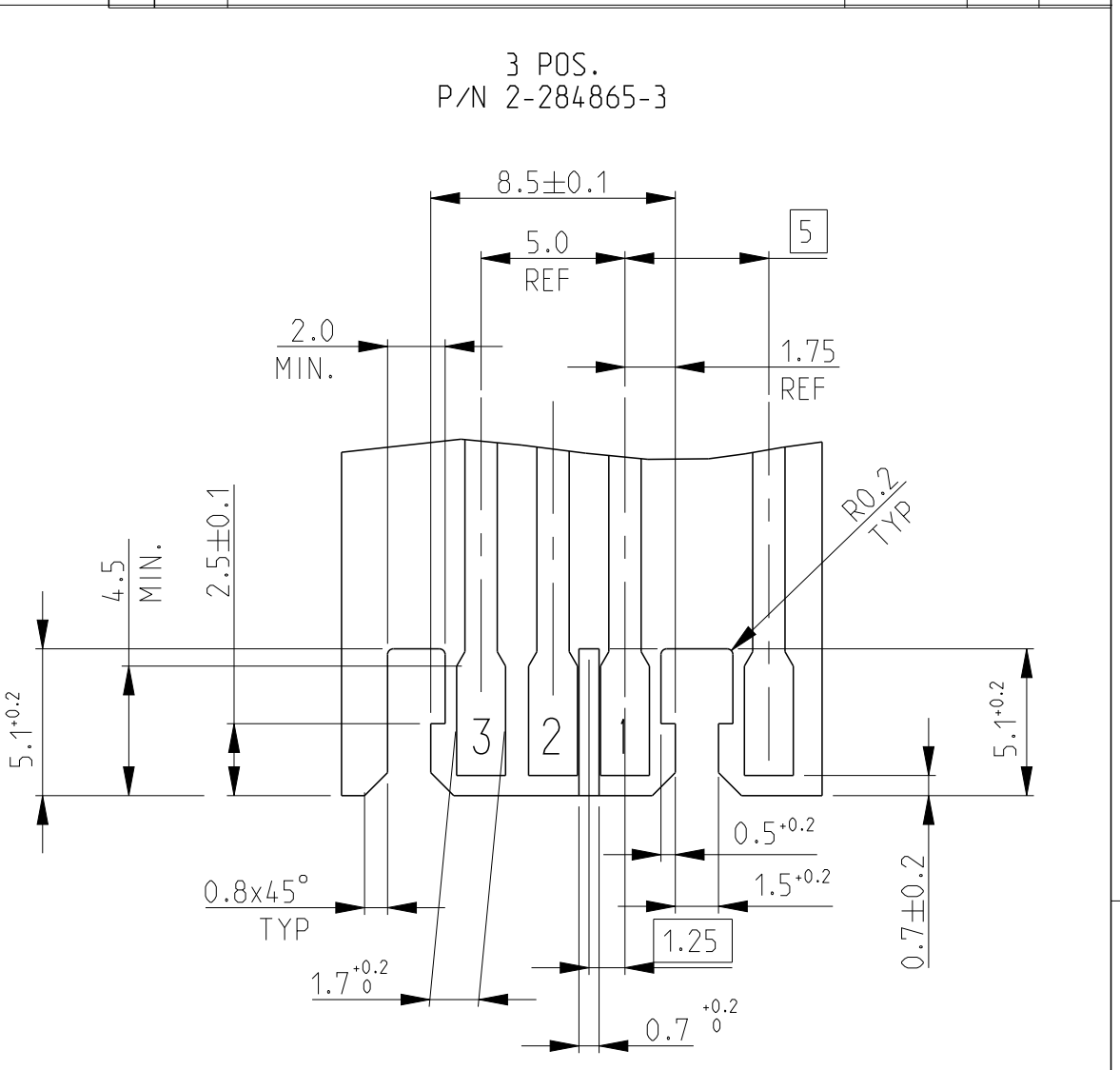
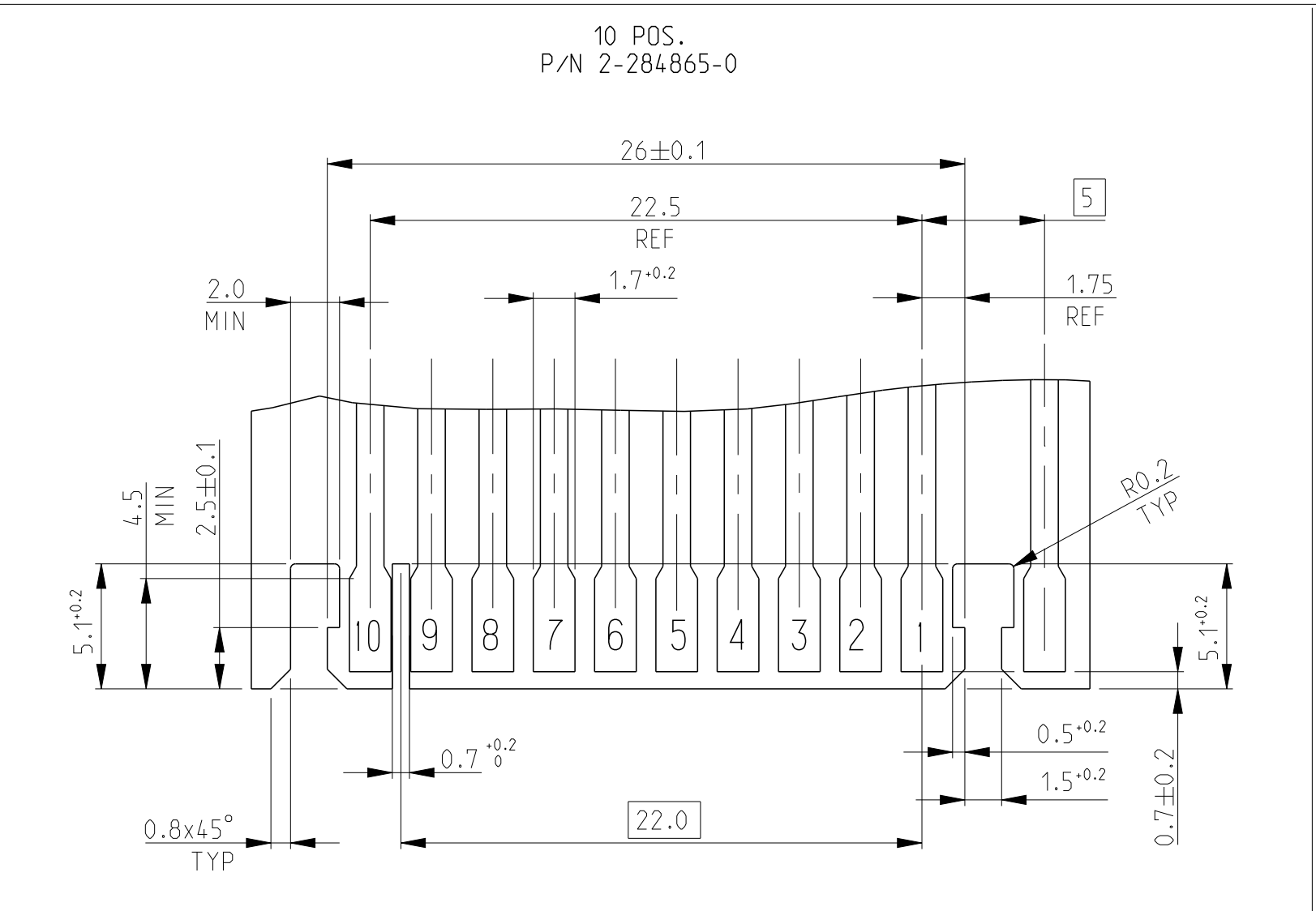
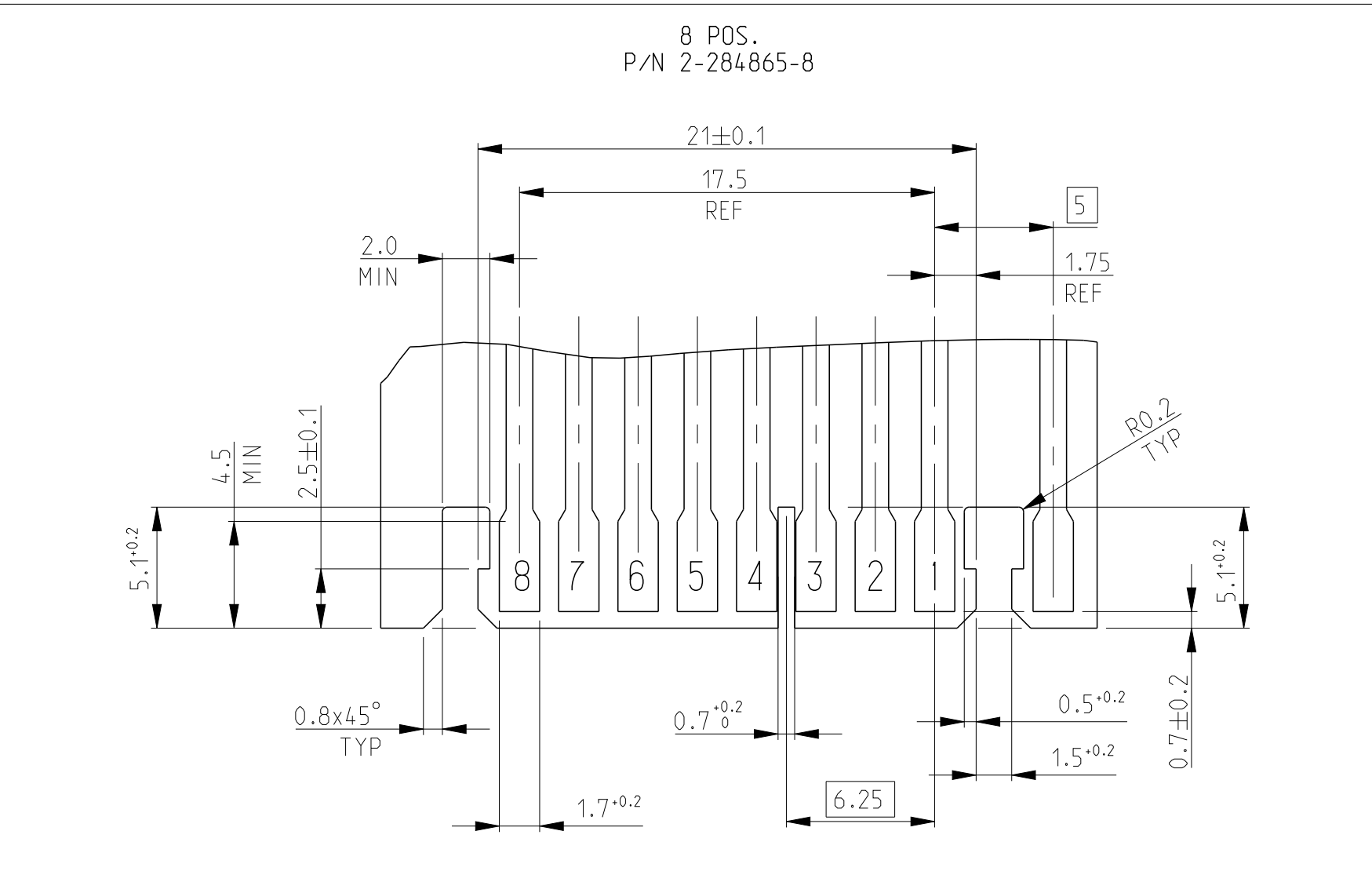
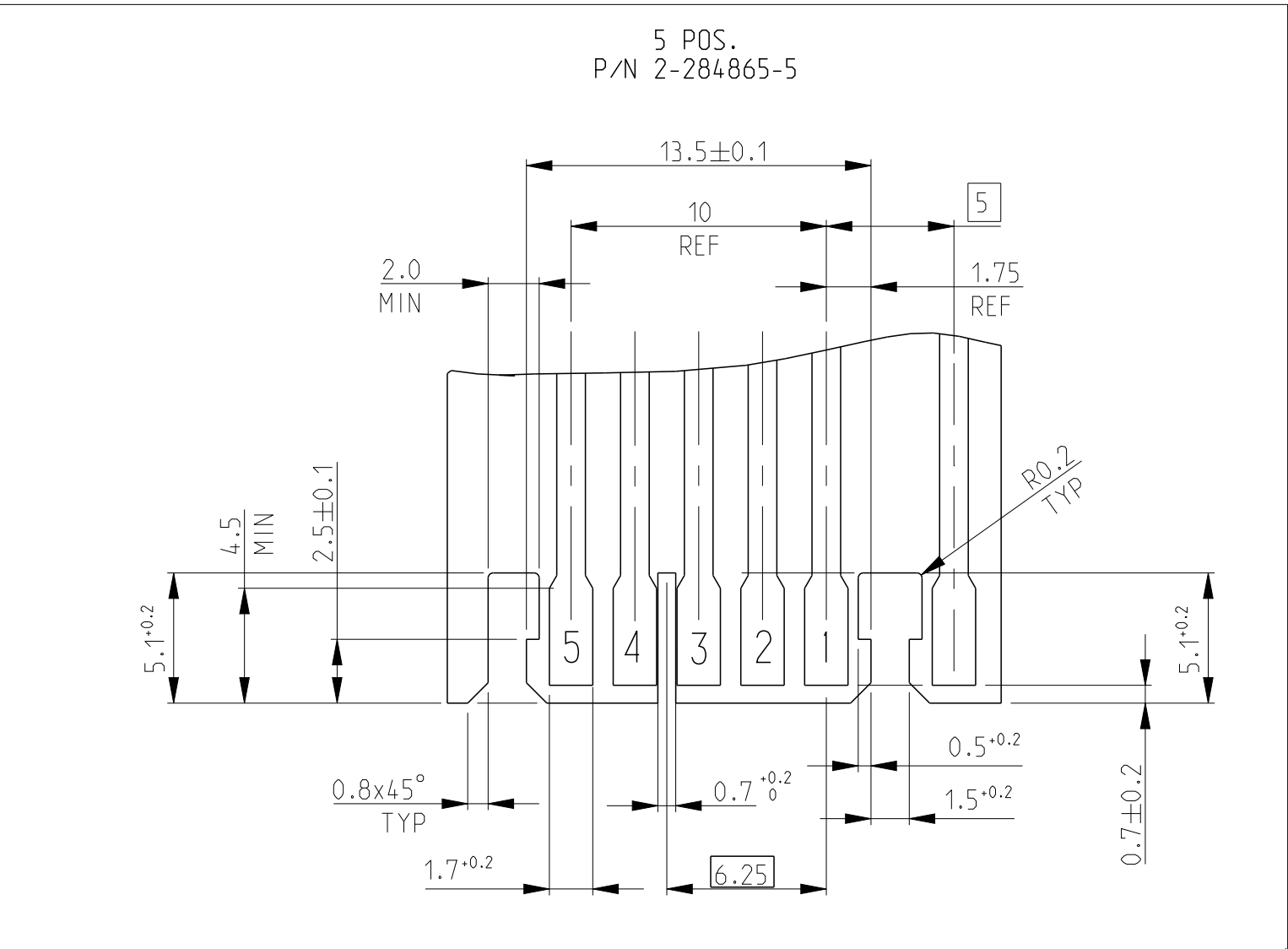
APVD: E. TURCO	NAME: DUOPLUG 2.5 FEMALE CONN., SIDE LOCKING KEYED (FULLY LOADED)
PRODUCT SPEC: 108-20238	SIZE: A1
APPLICATION SPEC: 116-18049-1	CAGE CODE: 00779
WEIGHT: -	DRAWING NO: C=284865
Customer Drawing	SCALE: 10:1
	SHEET: 1 OF 4
	REV: A20

STE TE Connectivity

LOC		DIST		REVISIONS			
				DESCRIPTION	DATE	OWN	APPV
				SEE SHEET 1			

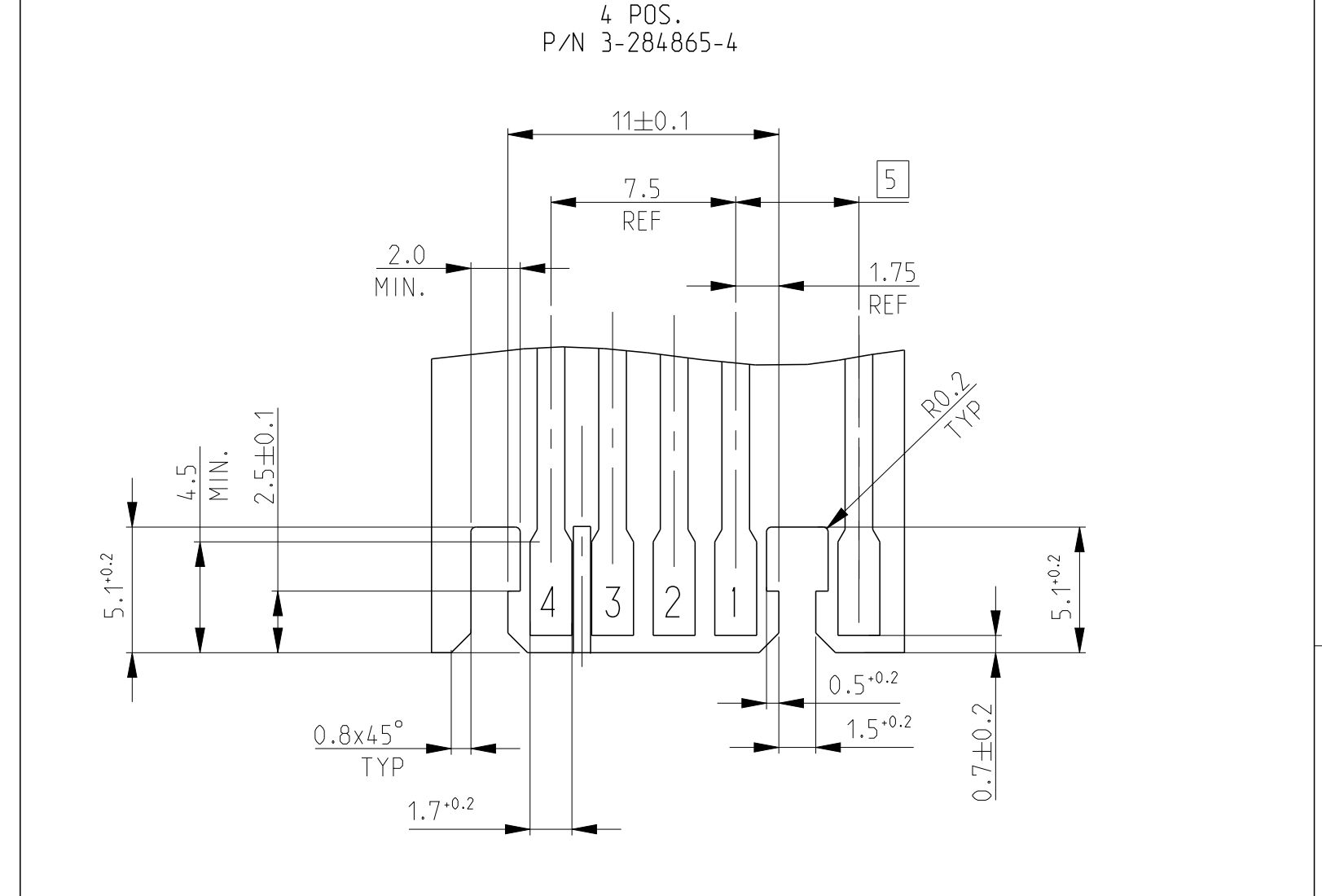
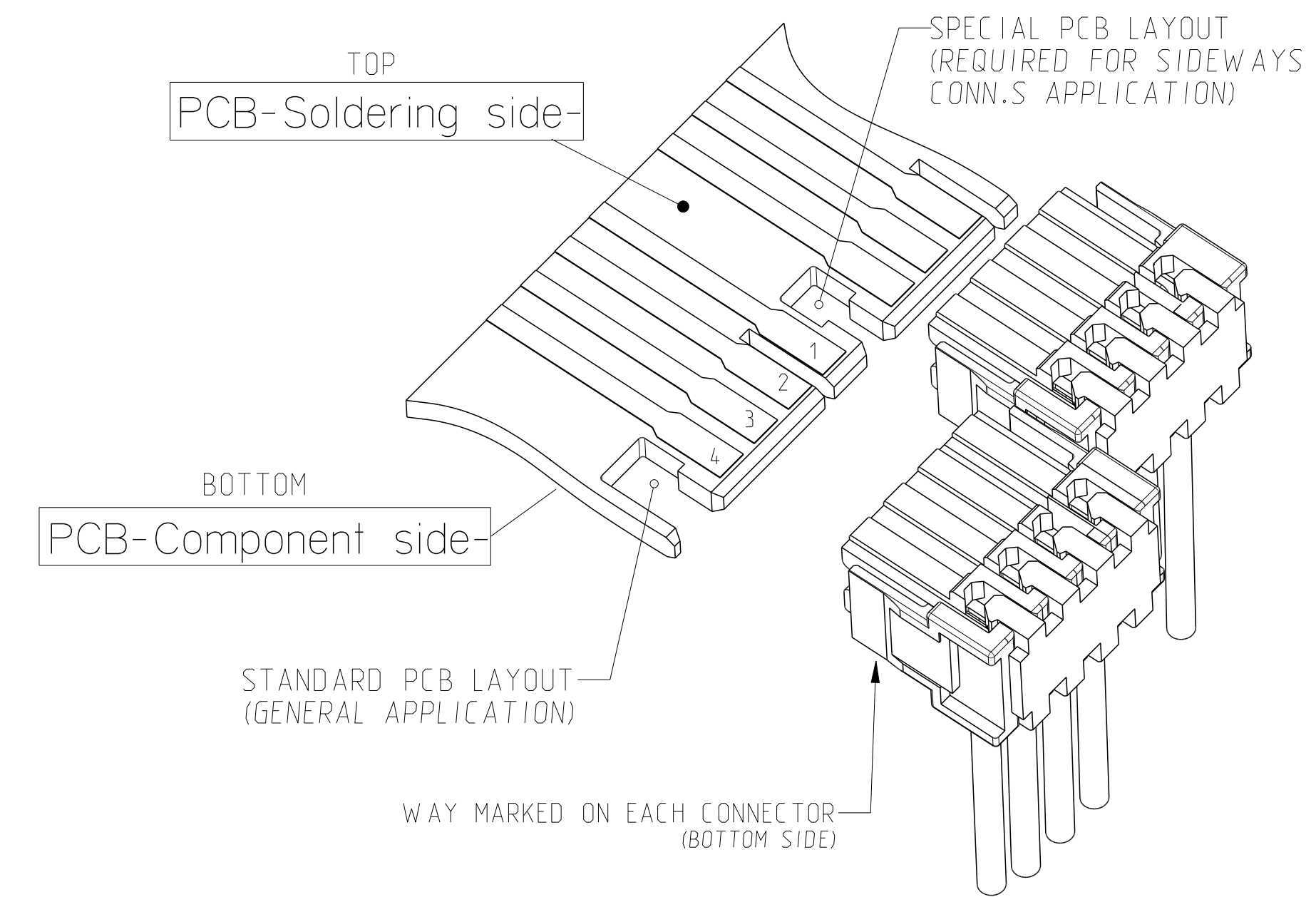
PCB LAYOUT -Soldering side-

(SCALE 4:1)



CONNECTION LAYOUT

E.G P/N 0-284865-4
(SCALE 4:1)



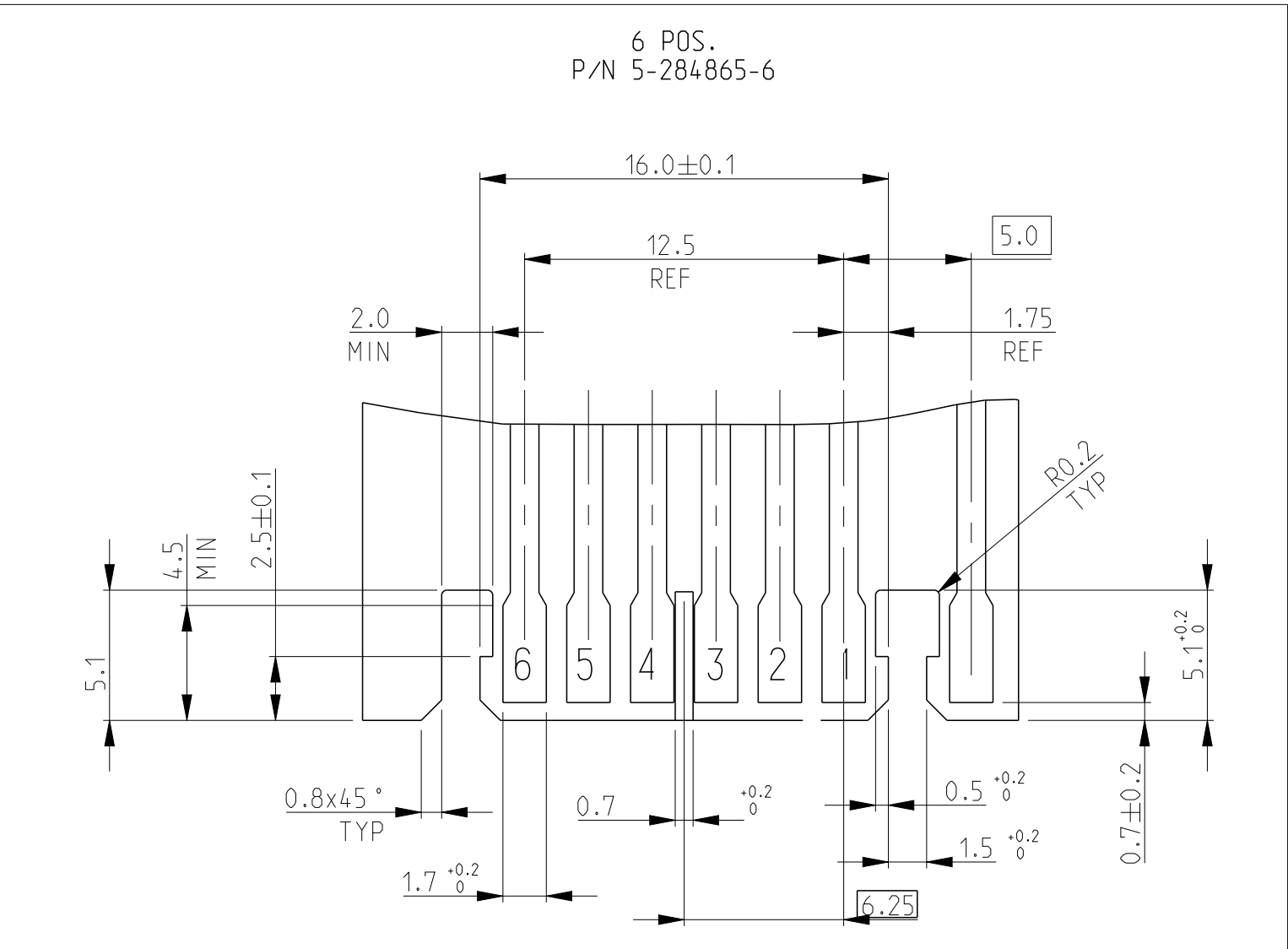
THIS DRAWING IS A CONTROLLED DOCUMENT.		OWN R. FABRIS 03JUL2002	TE Connectivity	
DIMENSIONS: mm		CHK -		
TOLERANCES UNLESS OTHERWISE SPECIFIED:		APV B. TURCO	NAME DUOPLUG 2.5 FEMALE CONN., SIDE LOCKING KEYPED (FULLY LOADED)	
0 PLC # # # #		PRODUCT SPEC	108-20238	
1 PLC # # # #		APPLICATION SPEC	116-18049-1	
2 PLC # # # #		FINISH	SIZE CAGE CODE DRAWING NO. RESTRICTED TO	
3 PLC # # # #		WEIGHT	A1 00779 ©=284865	
4 PLC # # # #		Customer Drawing	SCALE 10:1 SHEET 1 OF 4 REX A20	

THIS DRAWING IS UNPUBLISHED. RELEASED FOR PUBLICATION 2002
 © COPYRIGHT 2002 ALL RIGHTS RESERVED.

PCB LAYOUT -Soldering side-

(SCALE 4:1)

LOC		DIST		REVISIONS			
		P	LTN	DESCRIPTION	DATE	DWN	APVD
		-		SEE SHEET 1	-	-	-



THIS DRAWING IS A CONTROLLED DOCUMENT.		DWN R. FABRIS	03JUL2002	TE Connectivity	
DIMENSIONS: mm		CHK -	APVD G. TURCO		
	TOLERANCES UNLESS OTHERWISE SPECIFIED:	0 PLC	±	PRODUCT SPEC	SIZE CAGE CODE DRAWING NO RESTRICTED TO A1 00779 C=284865
		1 PLC	±	108-20238	
		2 PLC	±	APPLICATION SPEC	
MATERIAL SEE TABLE	ANGLES ±°	3 PLC	±	116-18049-1	SCALE 10:1 SHEET 1 OF 4 CUSTOMER DRAWING
	FINISH SEE TABLE	4 PLC	±	WEIGHT -	

X-ON Electronics

Largest Supplier of Electrical and Electronic Components

Click to view similar products for [Headers & Wire Housings](#) category:

Click to view products by [TE Connectivity](#) manufacturer:

Other Similar products are found below :

[95000-104TRLF](#) [10135584-644402LF](#) [DF62W-EP2022PCA](#) [95000-106TRLF](#) [DF62W-2022SCA](#) [DF62W-EP2022PC](#) [2203348](#) [DF62W-2022SC](#) [1084018](#) [1029039](#) [1084017](#) [802-10-012-10-002000](#) [1112640](#) [1112639](#) [891-007-9SS-BST1T](#) [000-34000](#) [0008550134](#) [0009482033](#) [0009507031](#) [57102-F02-18ULF](#) [57102-S06-03LF](#) [57202-S52-04LF](#) [PCN6-15S-2.5E](#) [0039019024](#) [58102-G61-06LF](#) [582553-1](#) [0009485154](#) [0009508121](#) [0022285053](#) [0050291907](#) [018731A](#) [LY20-4P-DT1-P1E-BR](#) [02.125.8002.8](#) [60101931](#) [60598-1 \(Cut Strip\)](#) [M1625-3R/100](#) [61062-3](#) [61082-181009](#) [CSU011177004](#) [636-1427](#) [638009-1](#) [641938-9](#) [641991-4](#) [644168-1](#) [644827-2](#) [647662-1](#) [65039-019ELF](#) [65692-001LF](#) [65781-018](#) [65781-047](#)