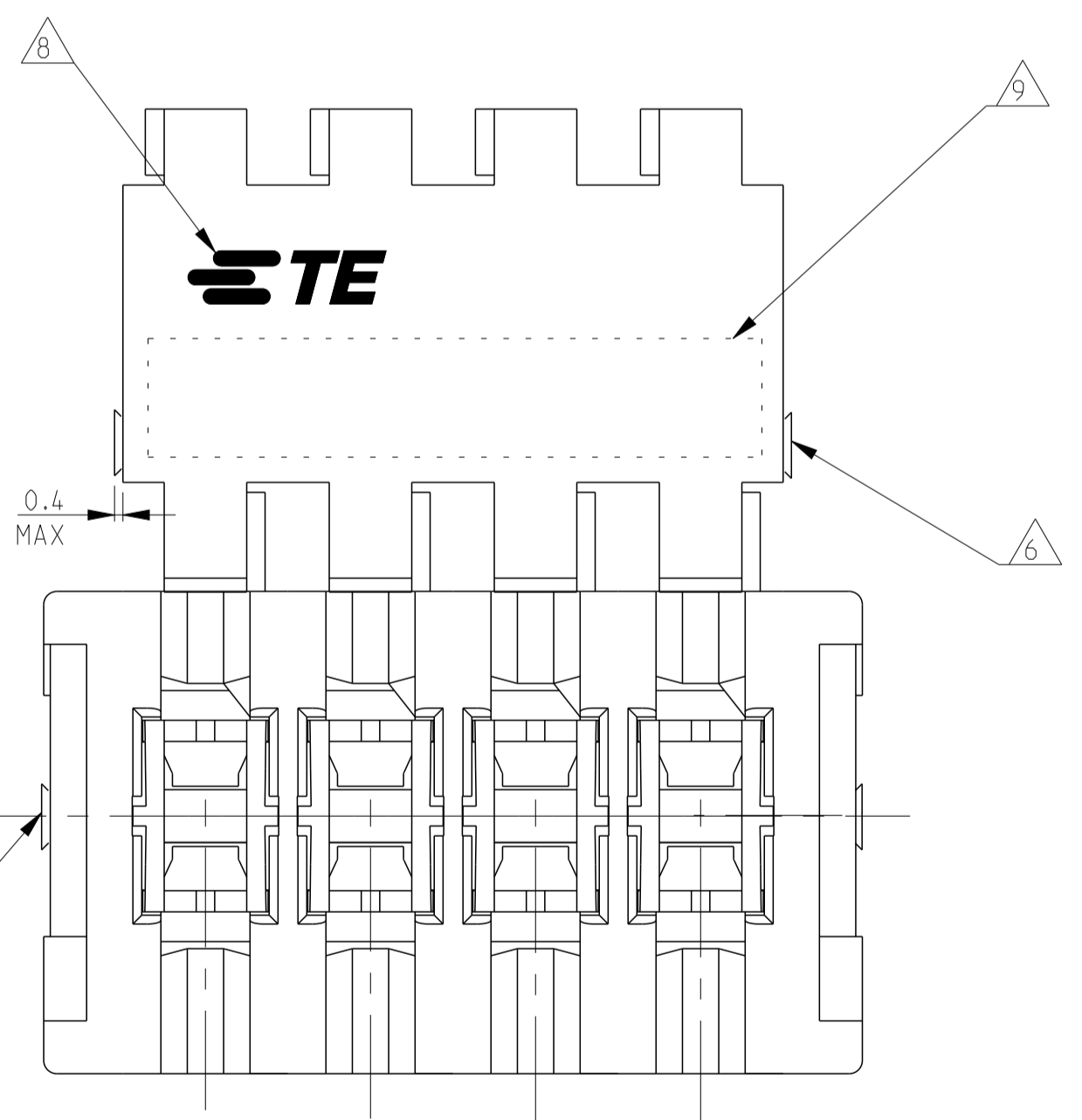
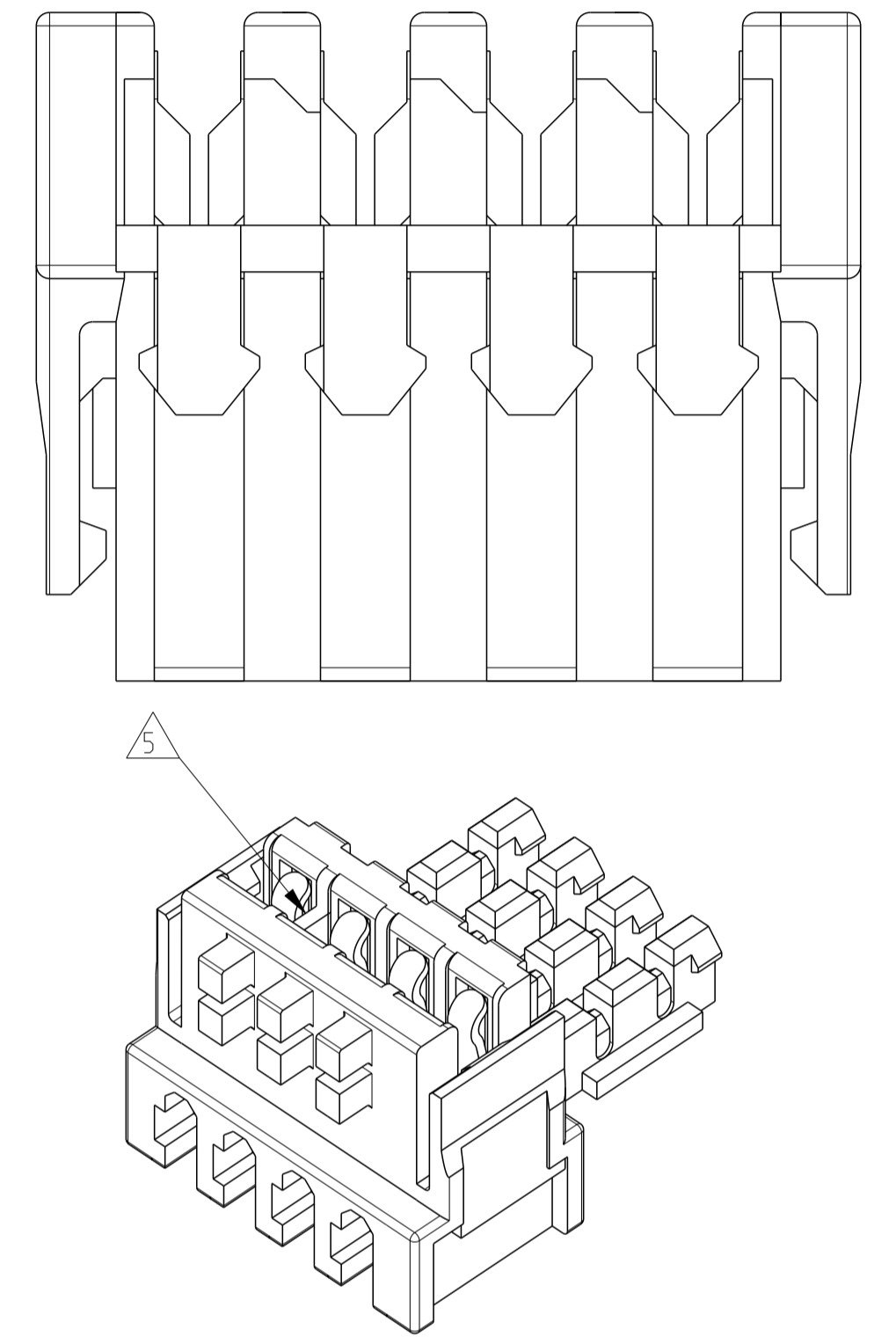
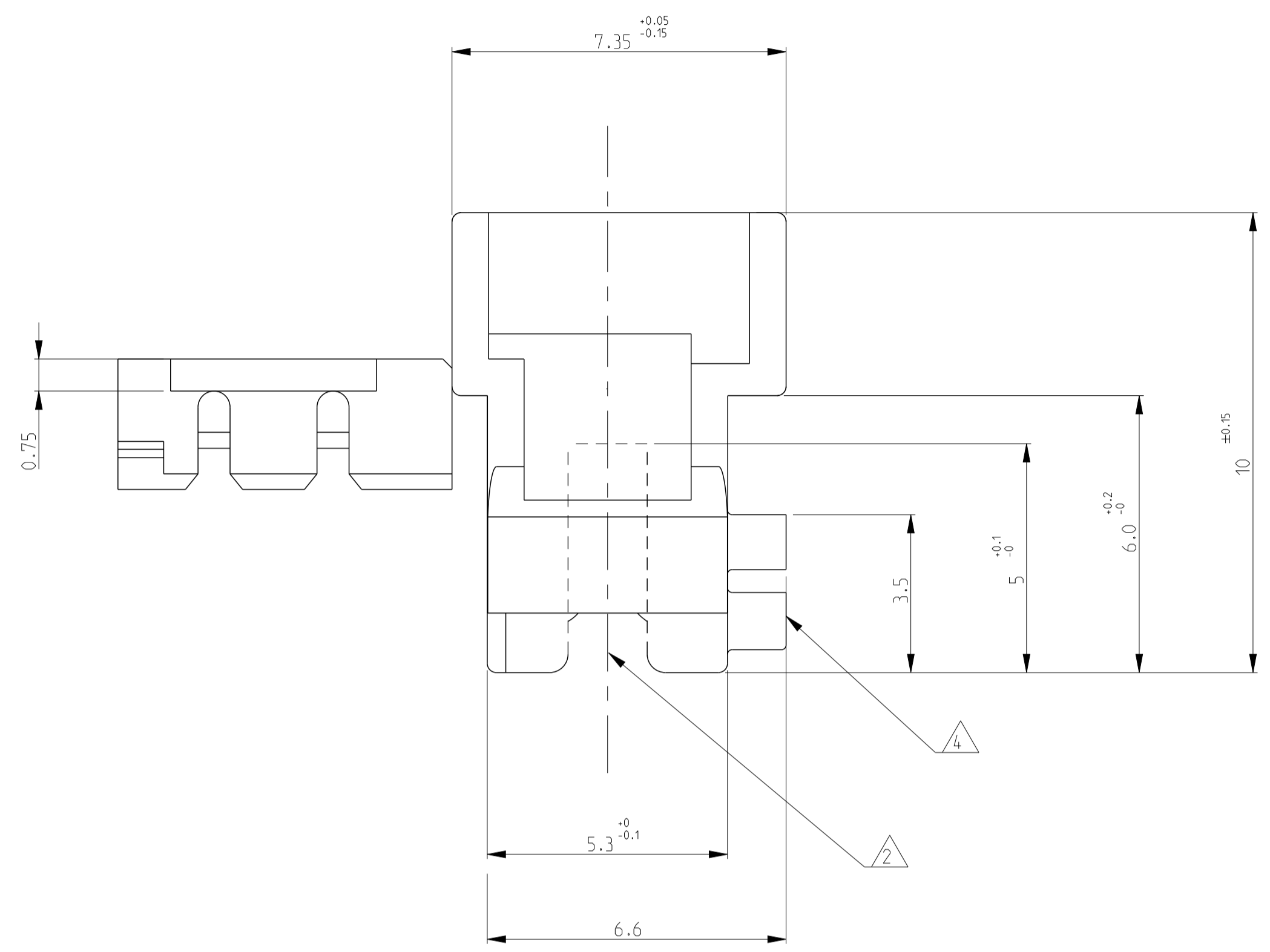
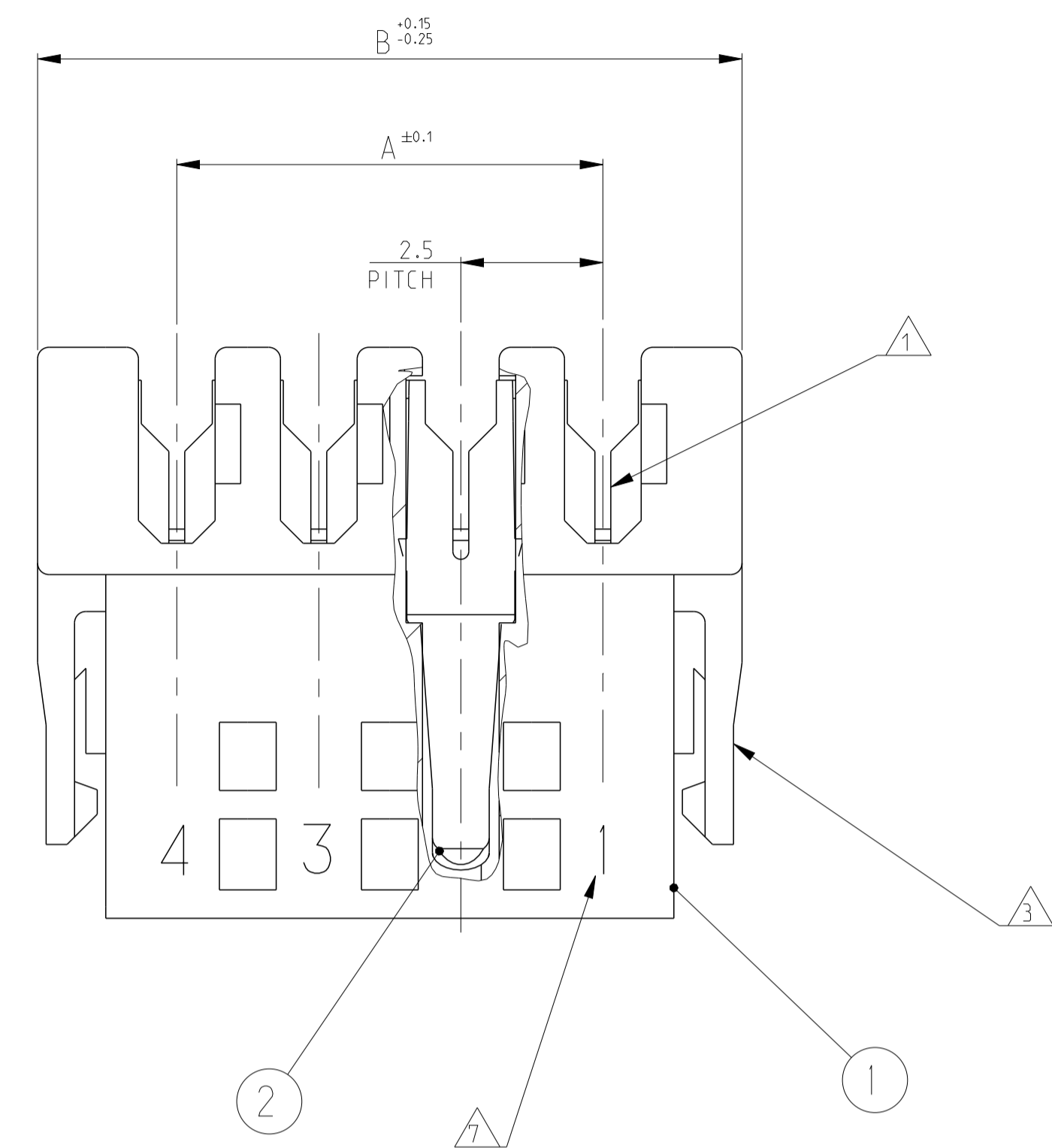


REVISONS		DATE	DMN	APVD
A22	ECR-19-004458	26MAR2019	LZ	FL
A23	ECR-19-005718	15APR2019	LZ	FL
B	ECR-19-015553	31OC12019	SM	FL



- 1 WIRE RANGE : STRANDED 0.22-0.35 mm<sup>2</sup> (INS. DIA. 1.30±0.1)
- 2 MATING PART: P.C.B. EDGE, DOUBLE SIDE, THK 1.5 (COPPER CLADDING INCLUDED)
- 3 SIDE LOCKING DEVICE
- 4 KEYING RIBS TO BE REMOVED BY TERMINATION MACHINE
- 5 POLARIZATION RIBS BETWEEN CAVITIES
- 6 CUT OFF DIMENSION DUE TO PRODUCTION PROCESS
- 7 CIRCUIT No. IDENTIFICATION
- 8 TE TRADEMARK (OPTIONAL POSITION)
- 9 TAMPOGRAPHIC COLOUR CODE AREA (P/Ns IDENTIFICATION BEFORE CRIMPING AREA)
- 10 FOR PCB LAYOUT, SEE PAGES 2-3  
FOR CONNECTION VIEW LAYOUT, SEE PAGE 3
- 11 NOT YET RELEASED FOR PRODUCTION
- 12 NOT DEFINED DURING PRELIMINARY STATUS
- 13 PBT GF
- 14 PBT GF, UL94-V0 & GWEP7 750 NO-FLAME, NATURAL

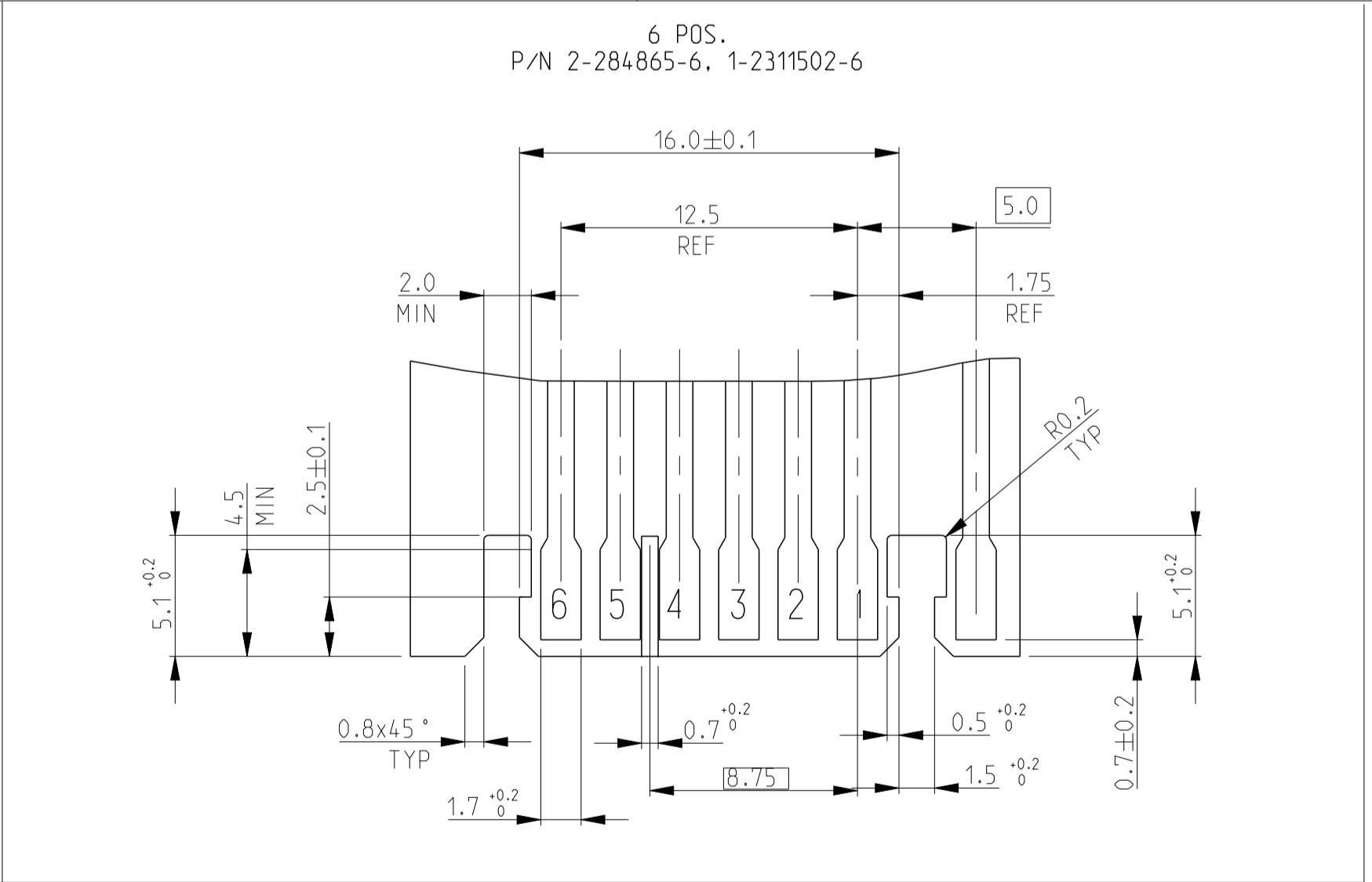
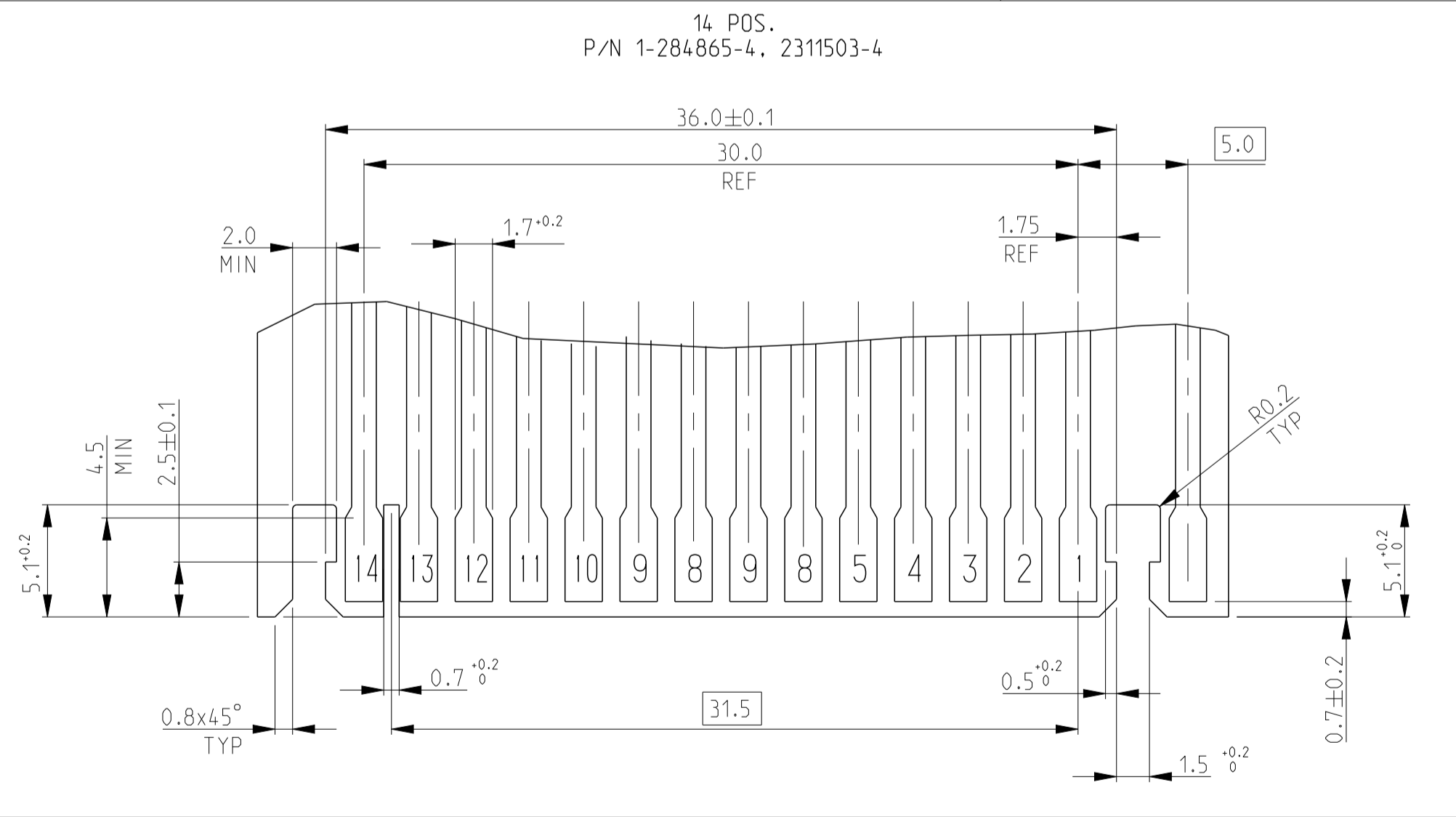
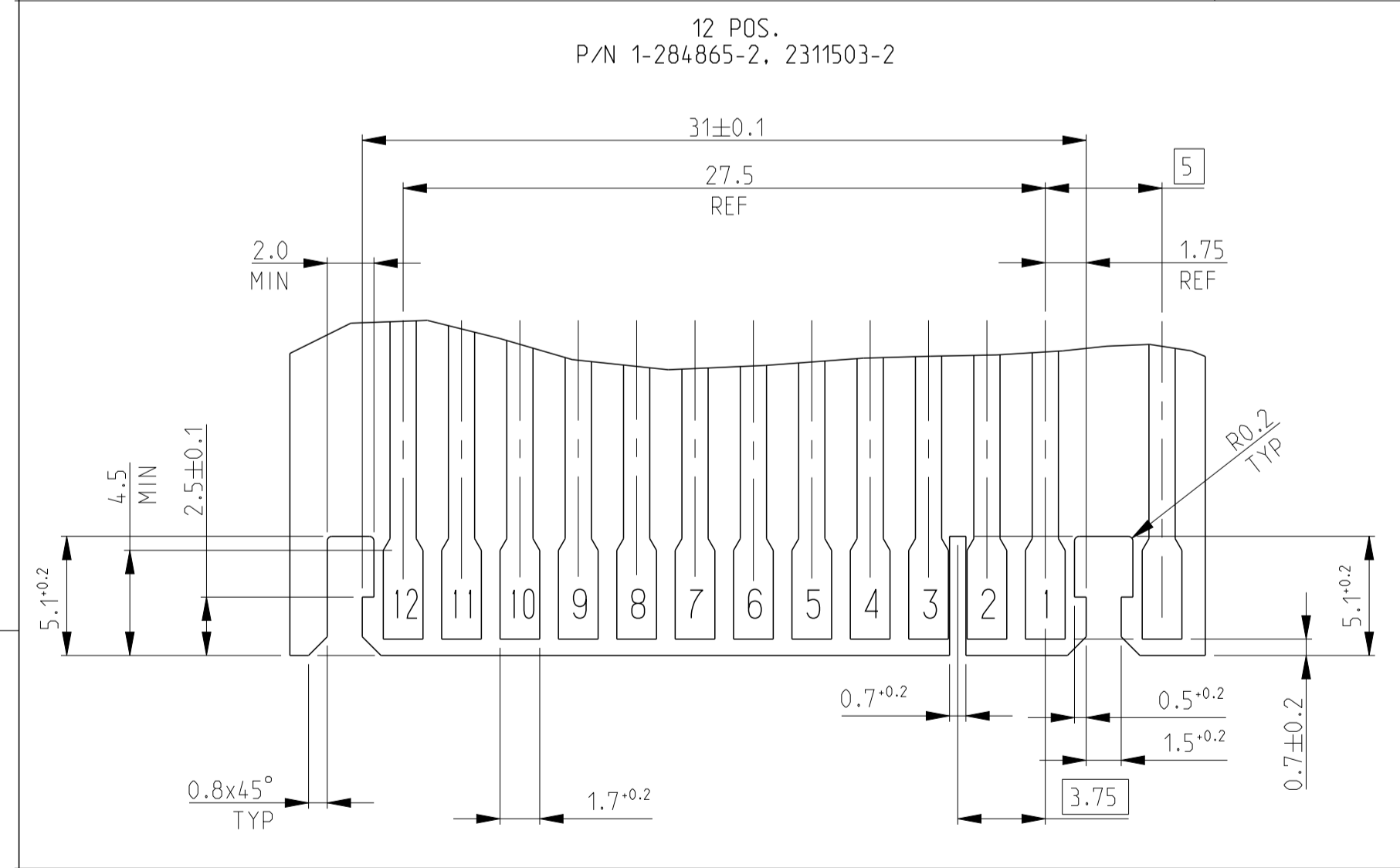
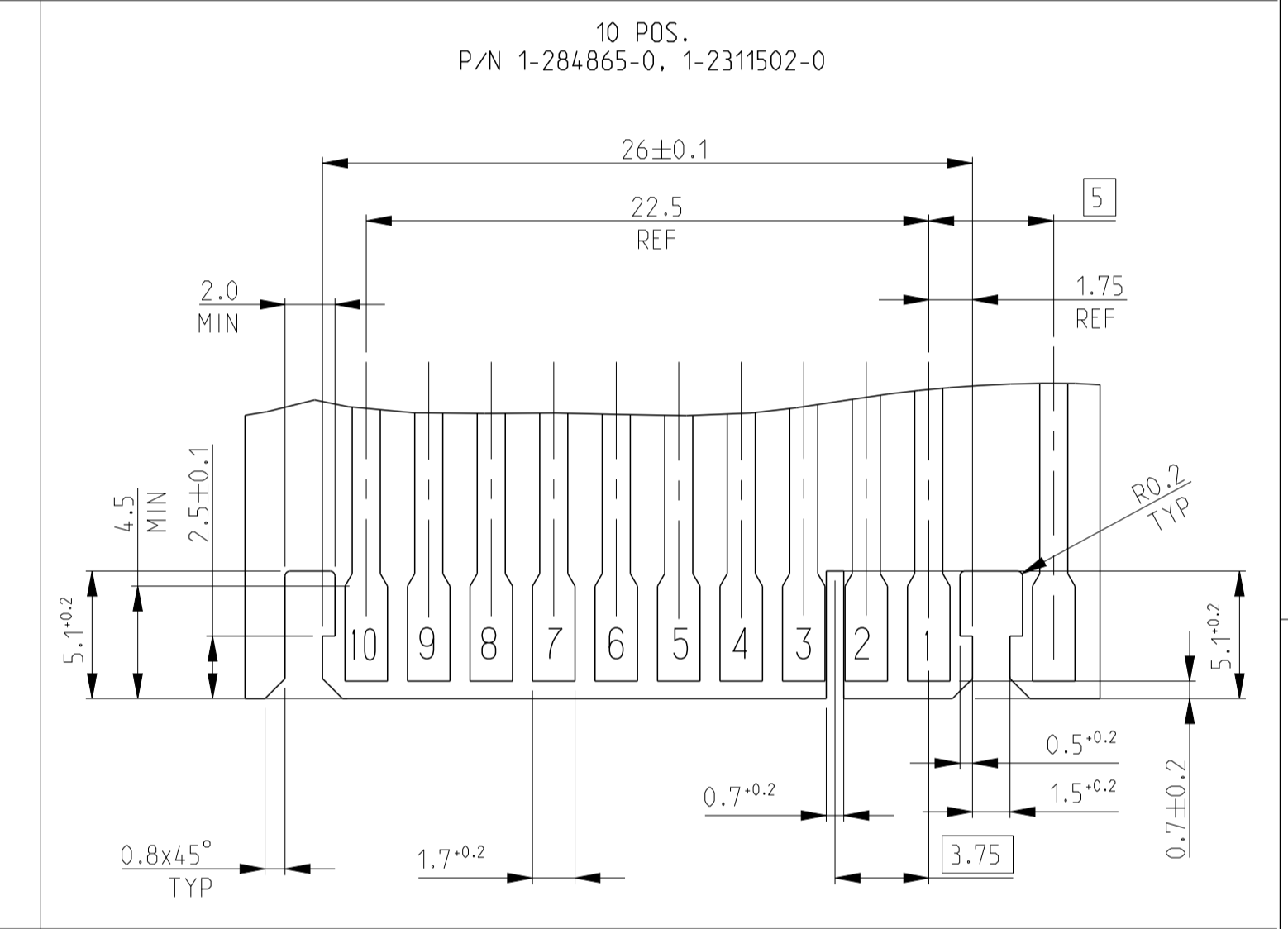
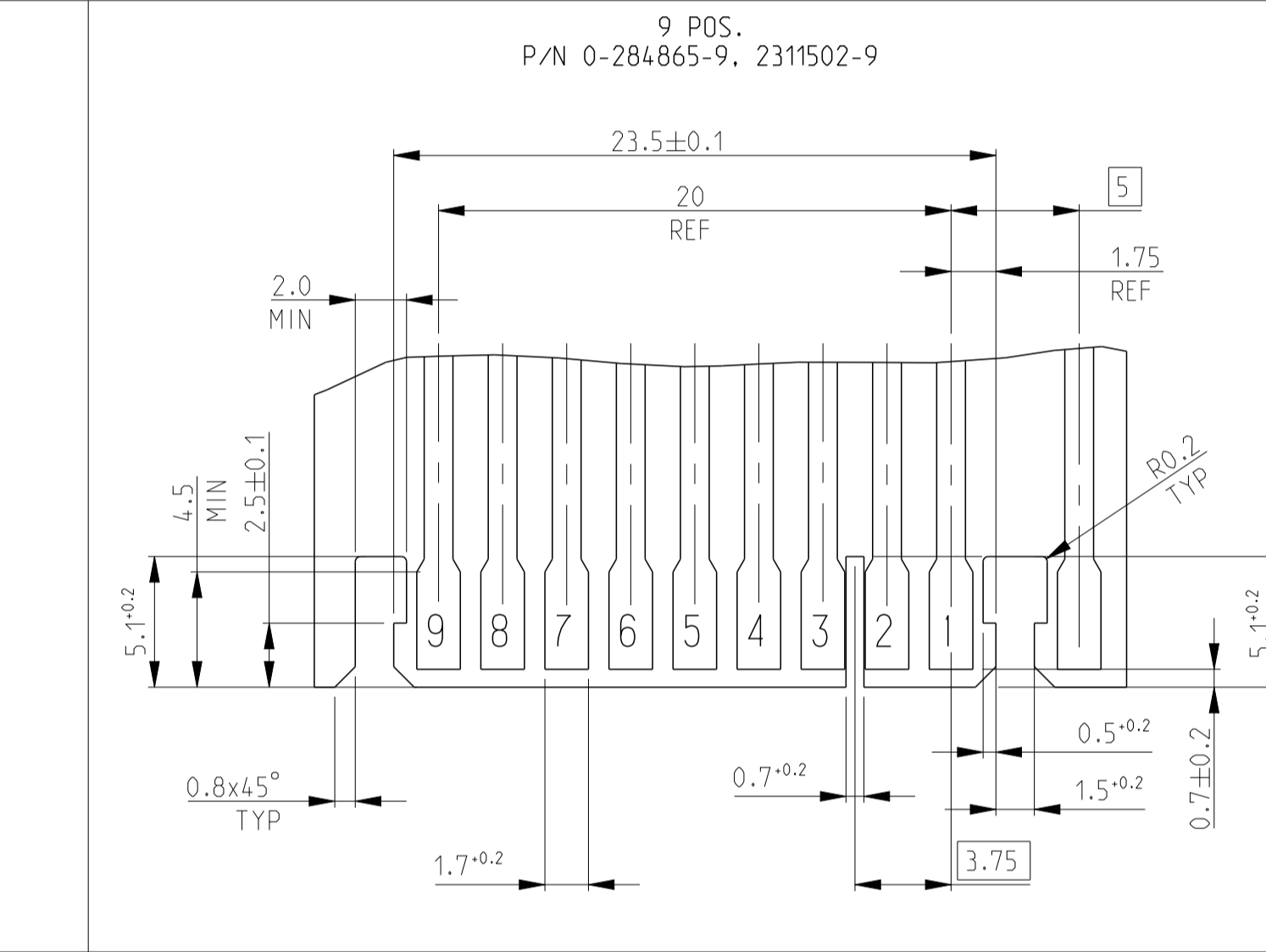
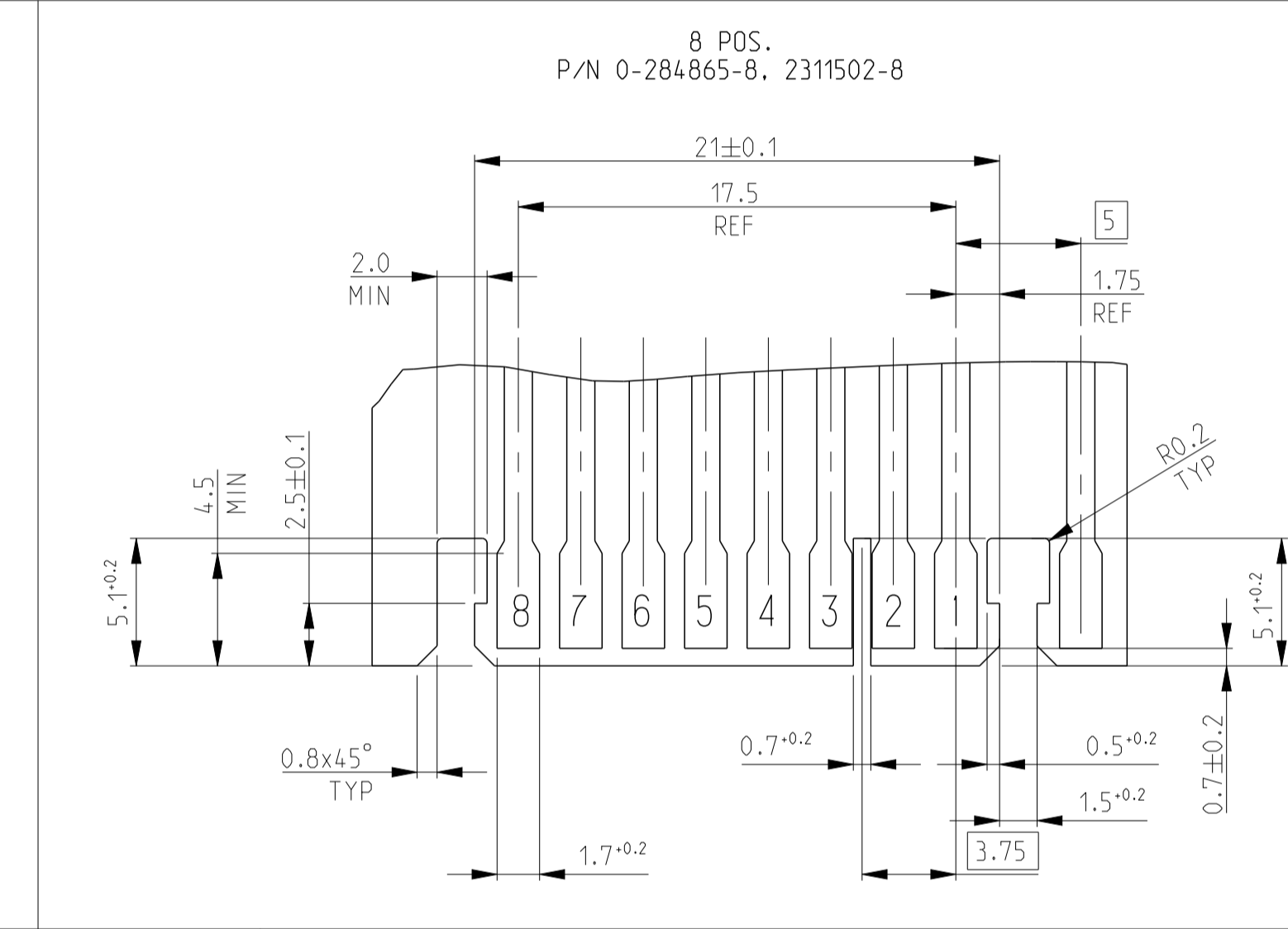
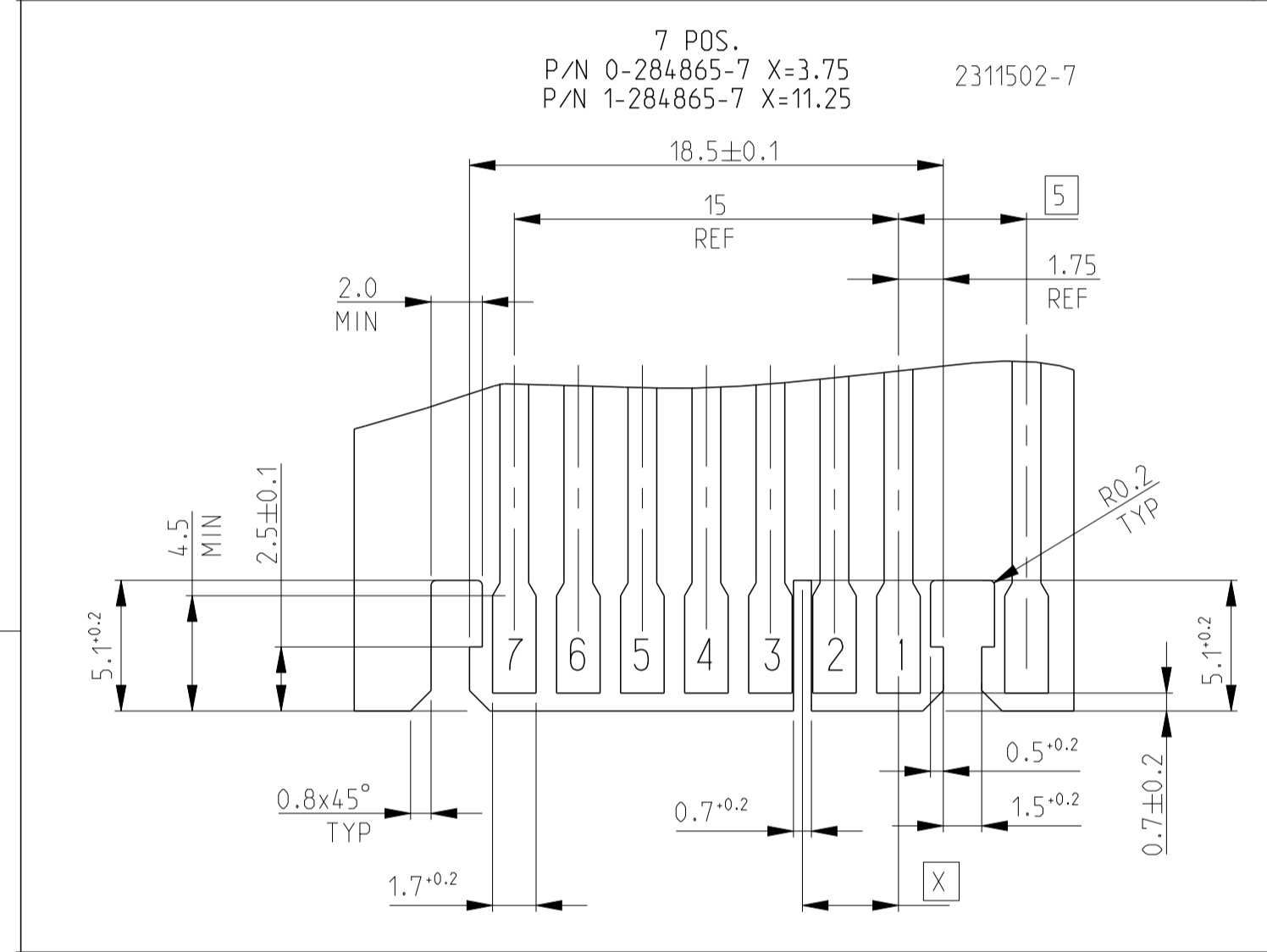
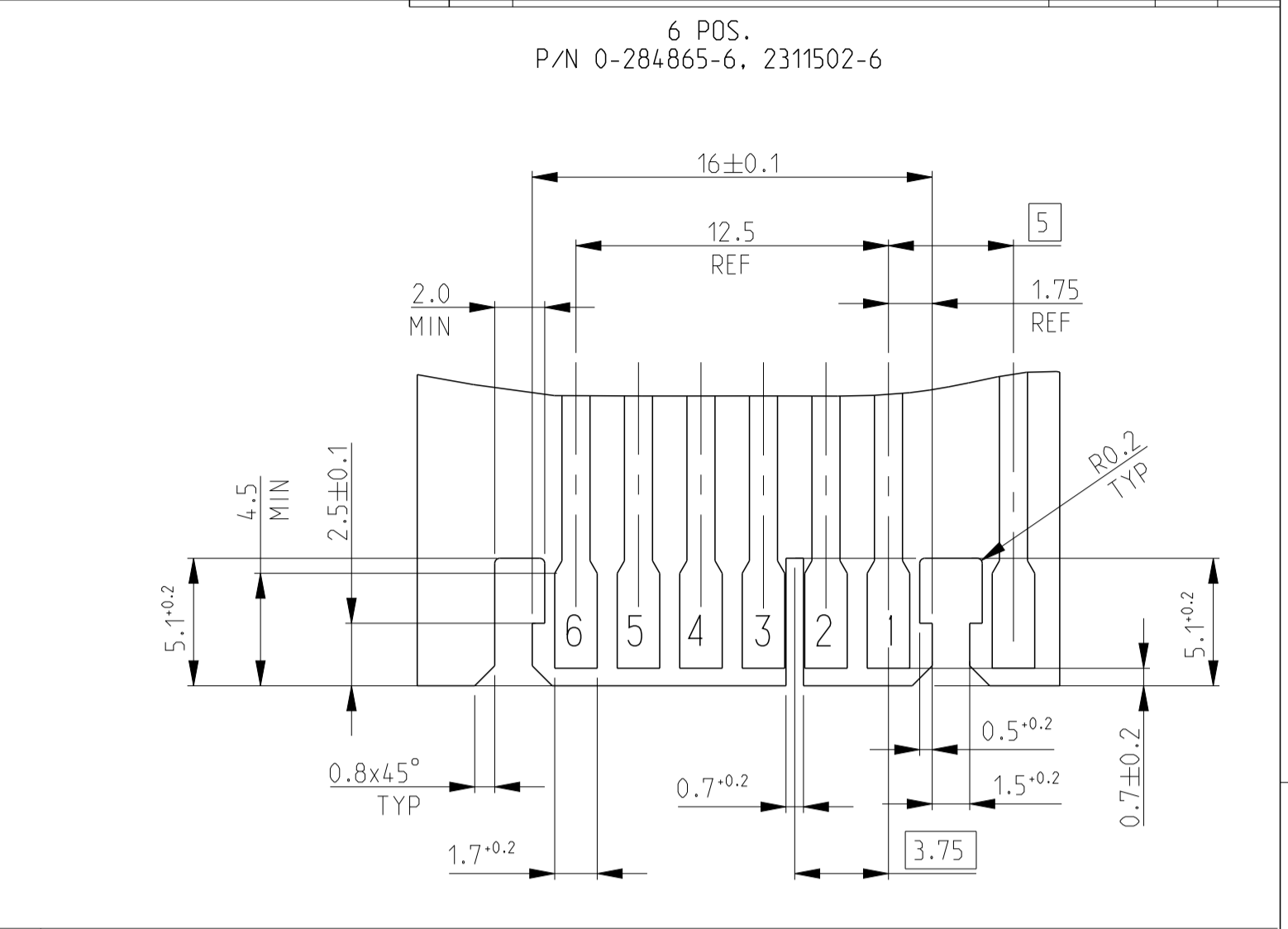
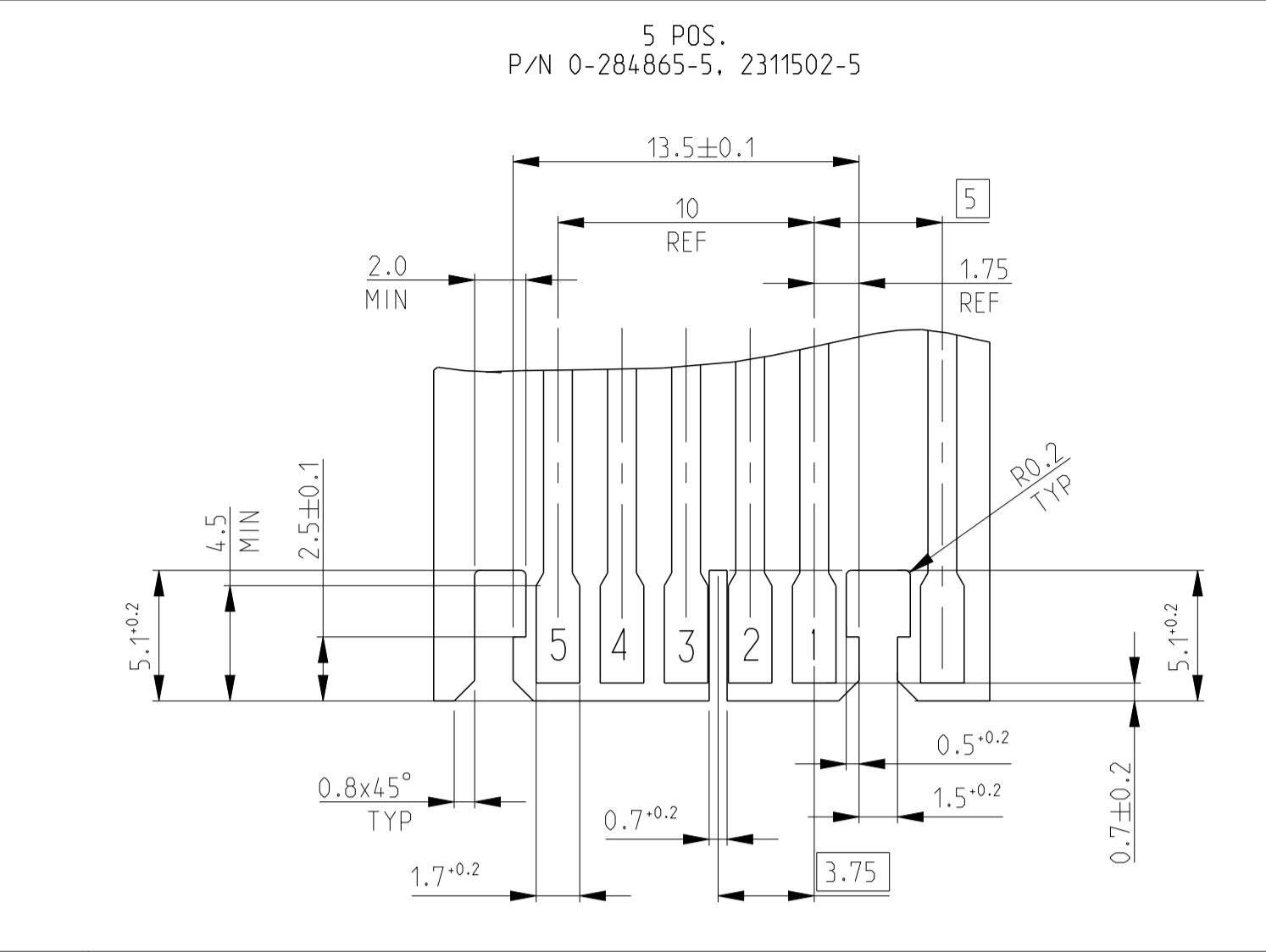
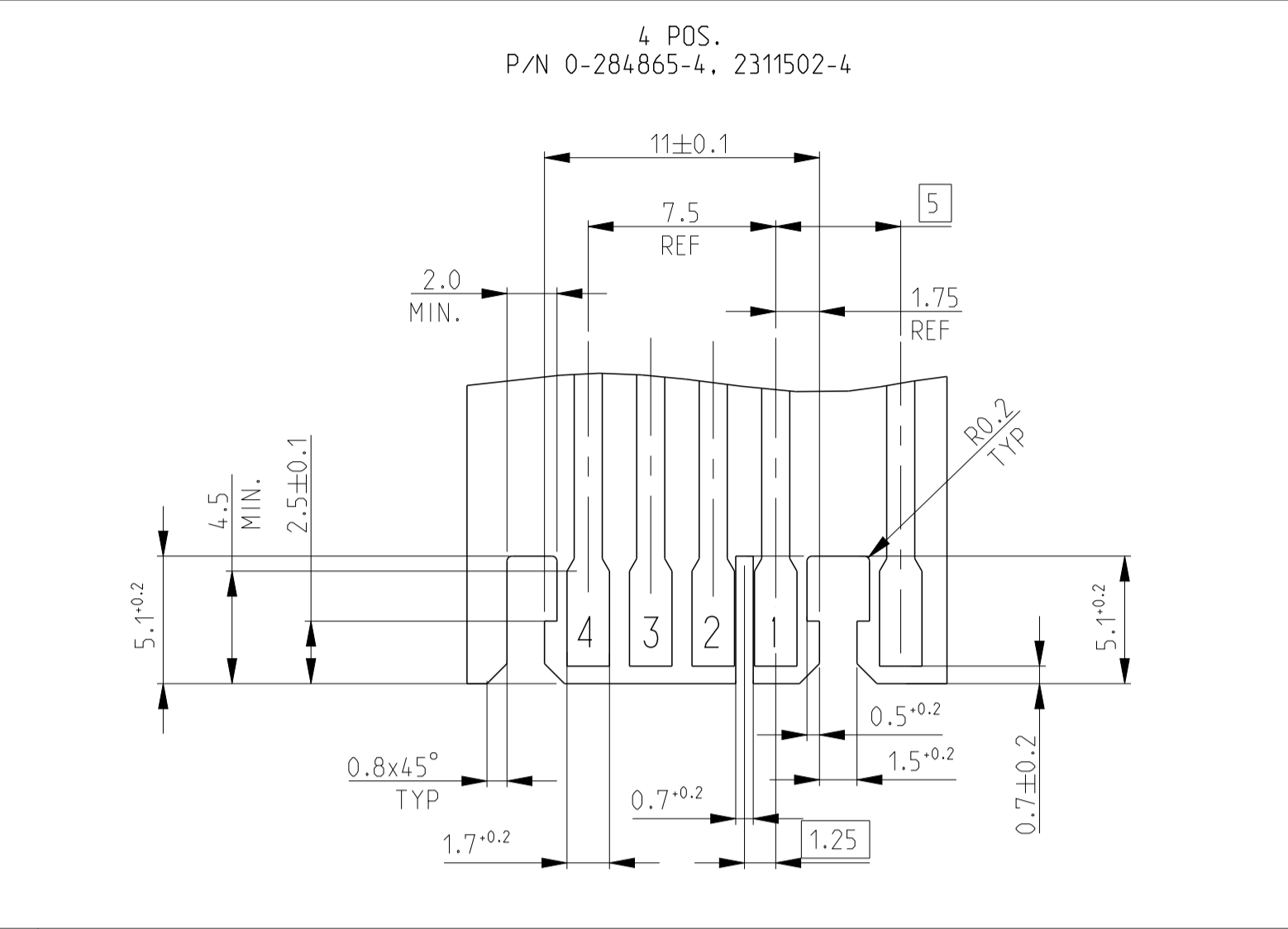
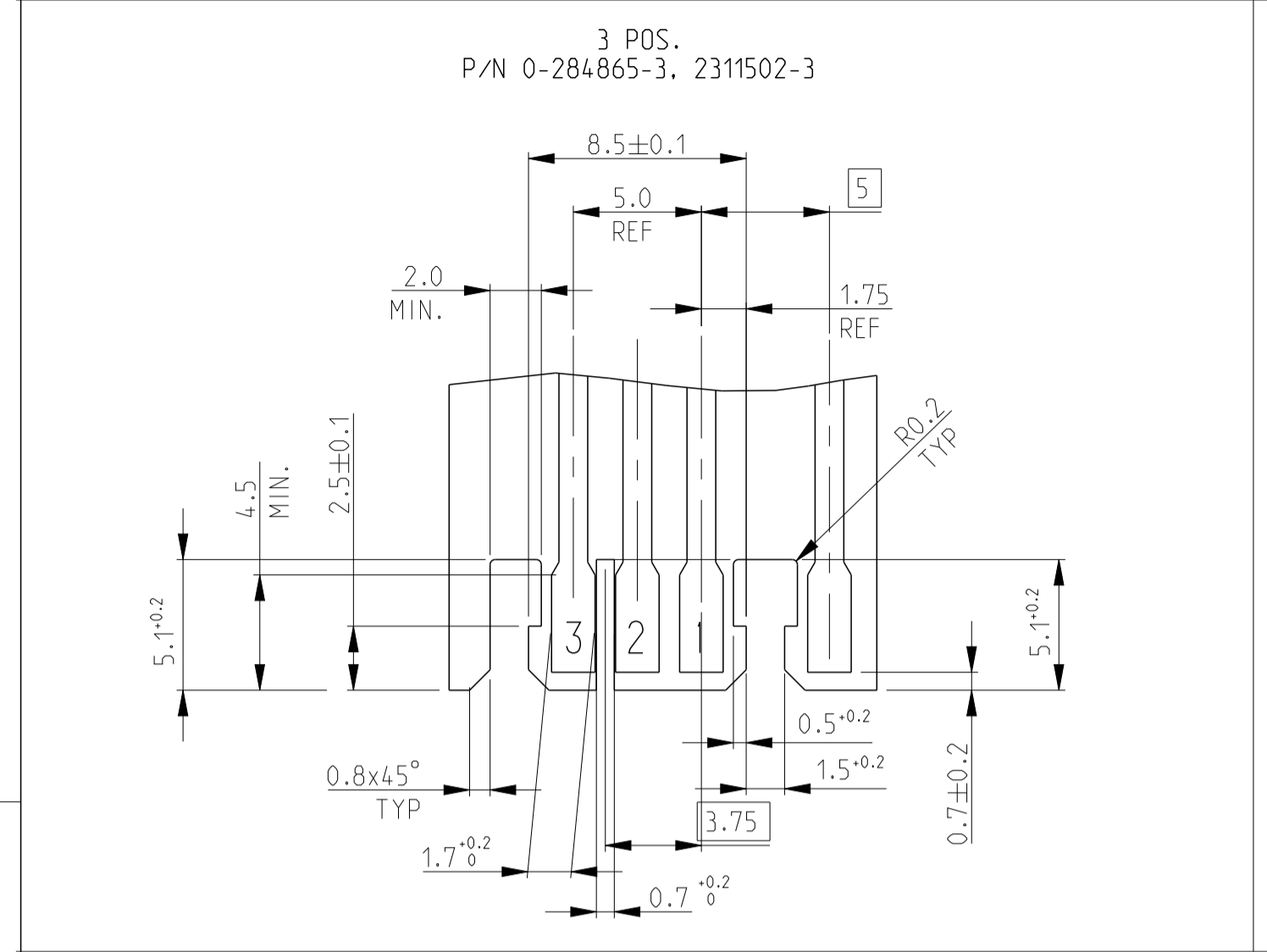
COLOUR CODE	POLARIZ. RIB POS.	HSG POS.	DIM.A	DIM.B	TE P/N	TE P/N
BLACK	13/14	14	32.5	37.4	1-284865-4	2311503-4
RED	11/12	12	27.5	32.4	2-284865-2	1-2311503-2
BLACK	2/3	10	22.5	27.4	1-284865-2	2311503-2
RED	9/10	8	17.5	22.4	2-284865-0	2-2311502-0
BLACK	2/3	9	20.0	24.9	0-284865-9	2311502-9
RED	3/4	7	15.0	19.9	2-284865-8	1-2311502-8
BLACK	2/3	5	10.0	14.9	0-284865-7	2311502-7
-	5/6	6	12.5	17.4	5-284865-6	4-2311502-6
ORANGE	5/6	-	-	-	4-284865-6	3-2311502-6
OBSOLETE	BLUE	1/2	-	-	3-284865-6	-
RED	4/5	-	-	-	2-284865-6	1-2311502-6
BLACK	2/3	-	-	-	0-284865-6	2311502-6
GREY	1/2	-	-	-	3-284865-5	2-2311502-5
RED	3/4	-	-	-	2-284865-5	1-2311502-5
BLACK	2/3	-	-	-	0-284865-5	2311502-5
RED	3/4	-	-	-	3-284865-4	1-2311502-4
OBSOLETE	RED	N/A	-	-	2-284865-4	-
BLACK	1/2	4	7.5	12.4	0-284865-4	2311502-4
RED	1/2	3	5.0	9.9	2-284865-3	1-2311502-3
BLACK	2/3	-	-	-	0-284865-3	2311502-3

P/N 0-284865-4 AS SHOWN

-		-		THIS DRAWING IS A CONTROLLED DOCUMENT.		DMN R. FABRIS 03JUL2002		Customer Drawing	
SEE TABLE	PH. BRONZE, TIN PLATED	IDC RECEPTACLE CONTACT	2	DIMENSIONS: mm	TOLERANCES UNLESS OTHERWISE SPECIFIED:	APVD G. TURCO	NAME	DUOPLUG 2.5 FEMALE CONN., SIDE LOCKING KEYED (FULLY LOADED)	
Q.TY	PBT GLASS FIBER FILLED	FEMALE HOUSING	1	0 PLC ±0.2	1 PLC ±0.1	PRODUCT SPEC	108-20238	SIZE	A1
1	MATERIAL	DESCRIPTION	ITEM	2 PLC ±0.1	3 PLC ±0.1	APPLICATION SPEC	116-18049-1	CAGE CODE	00779
REVISIONE DELL'ASSEMBLATO (REVISION OF EACH ASSY NO)		ELENCO DEI COMPONENTI (PARTS LIST)		MATERIAL SEE TABLE	FINISH SEE TABLE	WEIGHT	©=284865	SHEET	1 OF 4
0.1X1 PER ASSEMBLATO (0.1X1 PER ASSY)								SCALE	10:1

PCB LAYOUT -Soldering side-  
 (SCALE 4:1)

LOC		DIST		REVISIONS			
P	LTN	DATE	OWN	APVD	DESCRIPTION		
-	-	-	-	-	SEE SHEET 1		-



THIS DRAWING IS A CONTROLLED DOCUMENT. OWN R. FABRIS 03JUL2002  
 DIMENSIONS: mm  
 TOLERANCES UNLESS OTHERWISE SPECIFIED:  
 0 PLC # # # # #  
 1 PLC # # # # #  
 2 PLC # # # # #  
 3 PLC # # # # #  
 4 PLC # # # # #  
 ANGLES # # # # #  
 MATERIAL SEE TABLE  
 FINISH SEE TABLE

Customer Drawing

APVD E. TURCO  
 PRODUCT SPEC  
 108-20238  
 APPLICATION SPEC  
 116-18049-1  
 WEIGHT -

NAME  
 DUOPLUG 2.5 FEMALE CONN.,  
 SIDE LOCKING  
 KEYED (FULLY LOADED)

SIZE CAGE CODE DRAWING NO RESTRICTED TO  
 A1 00779 C=284865 -

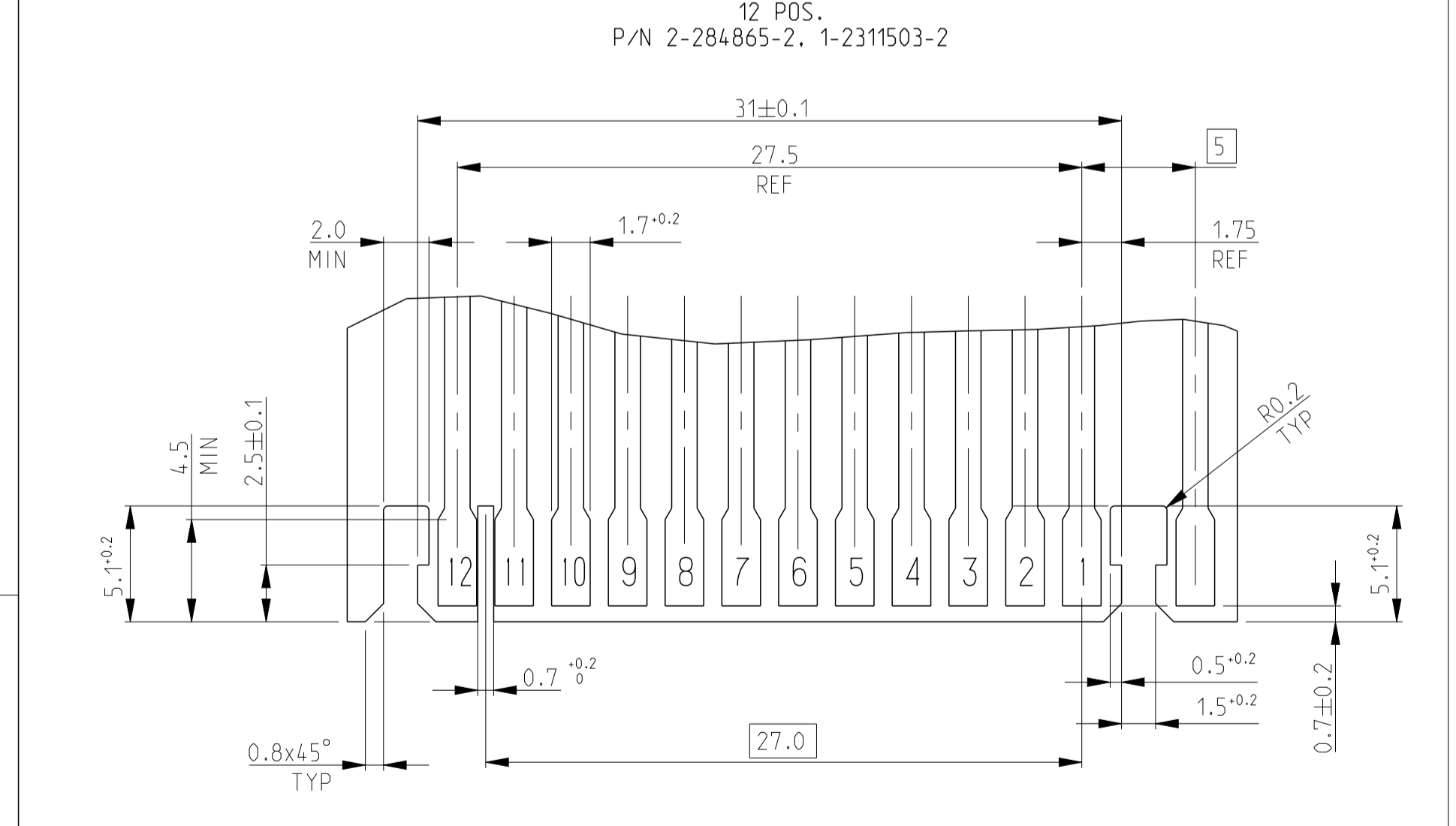
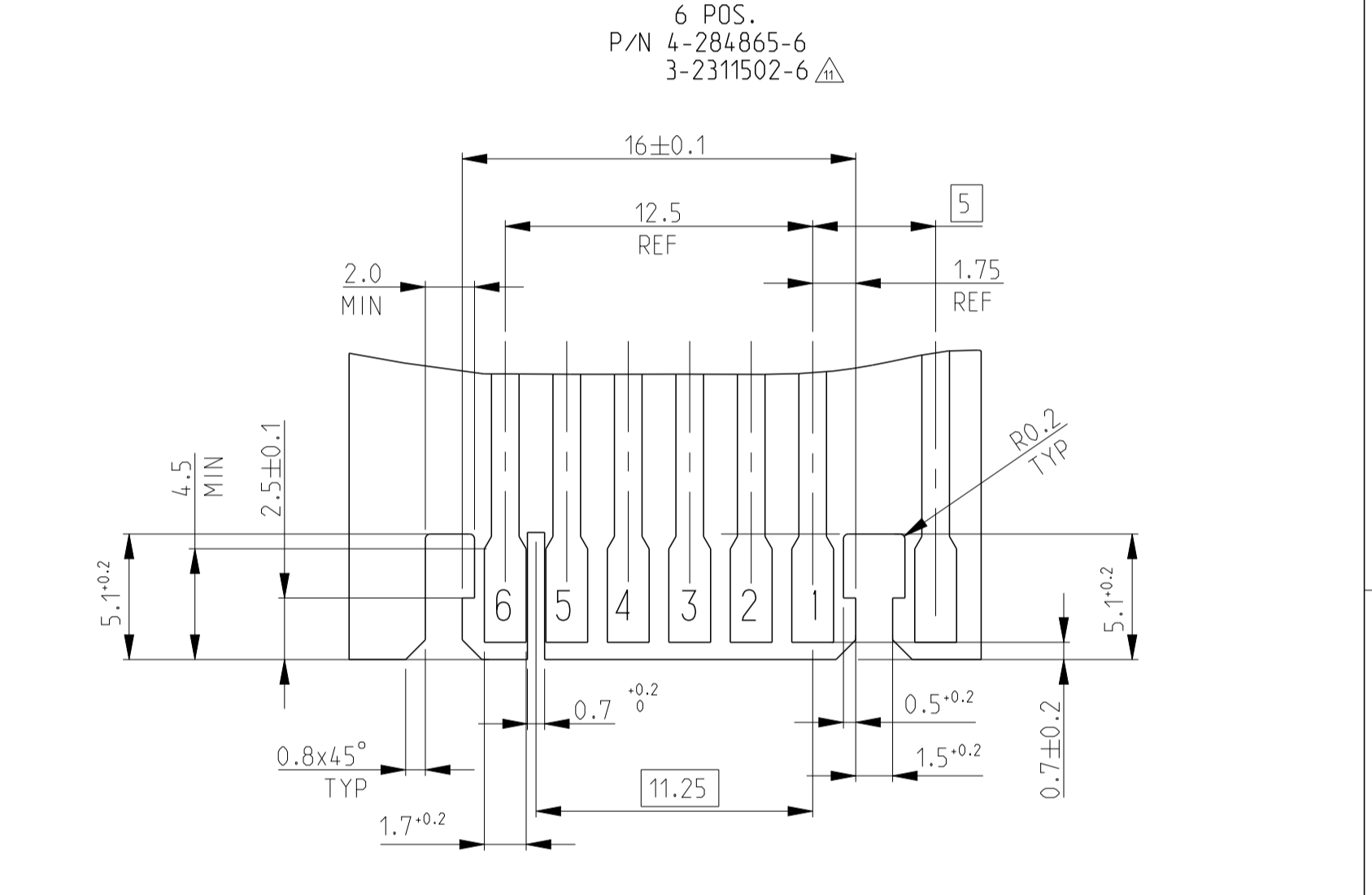
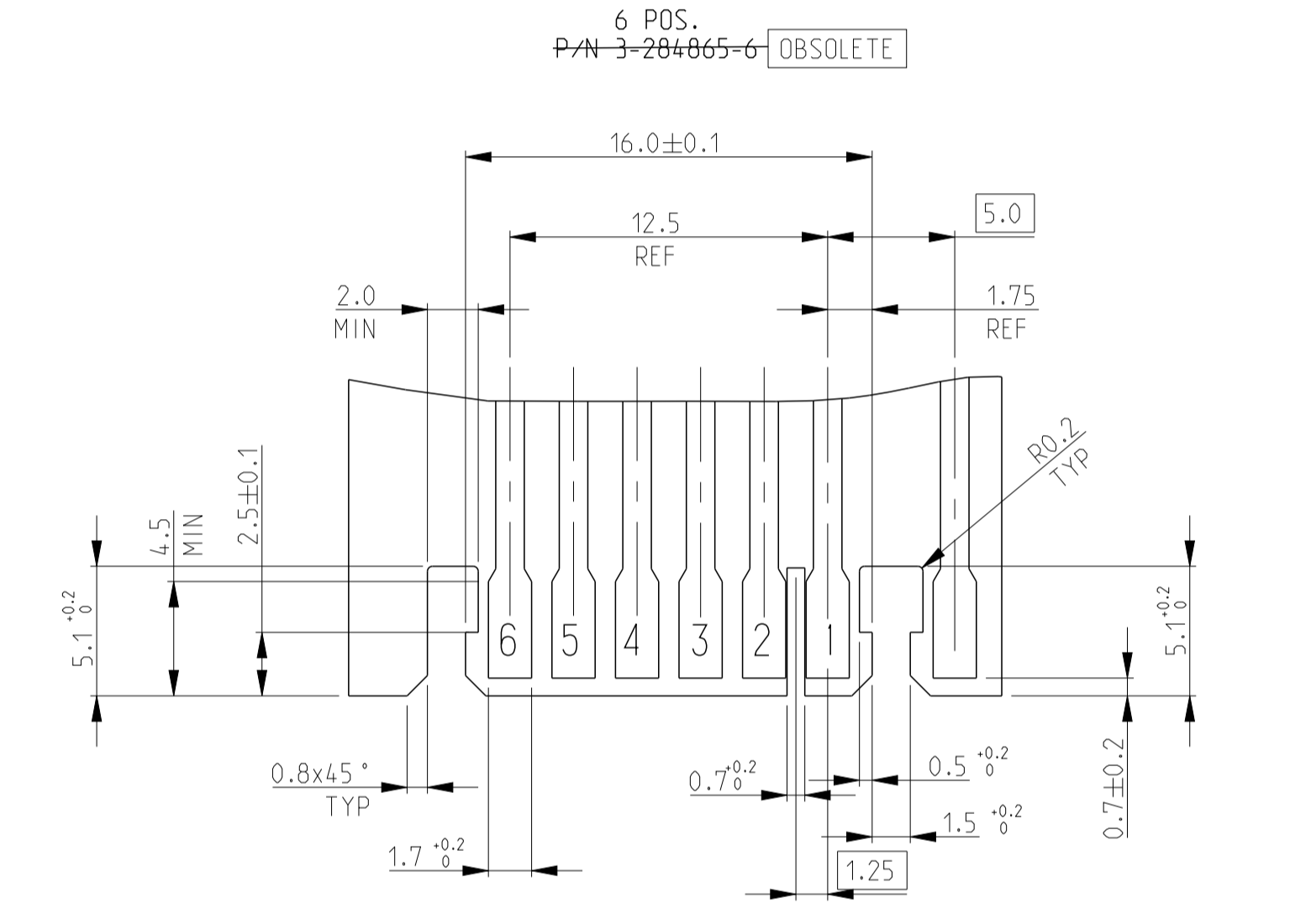
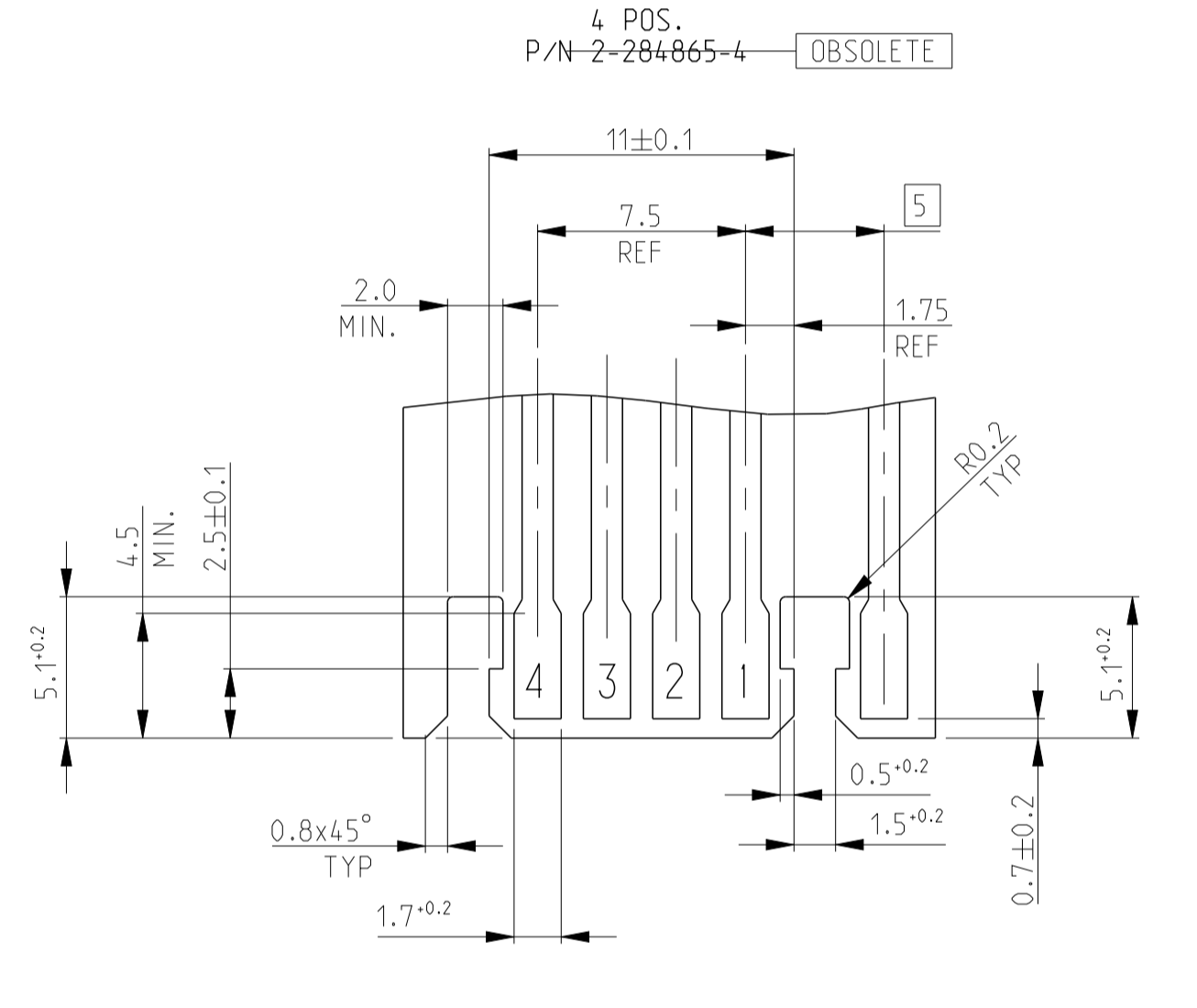
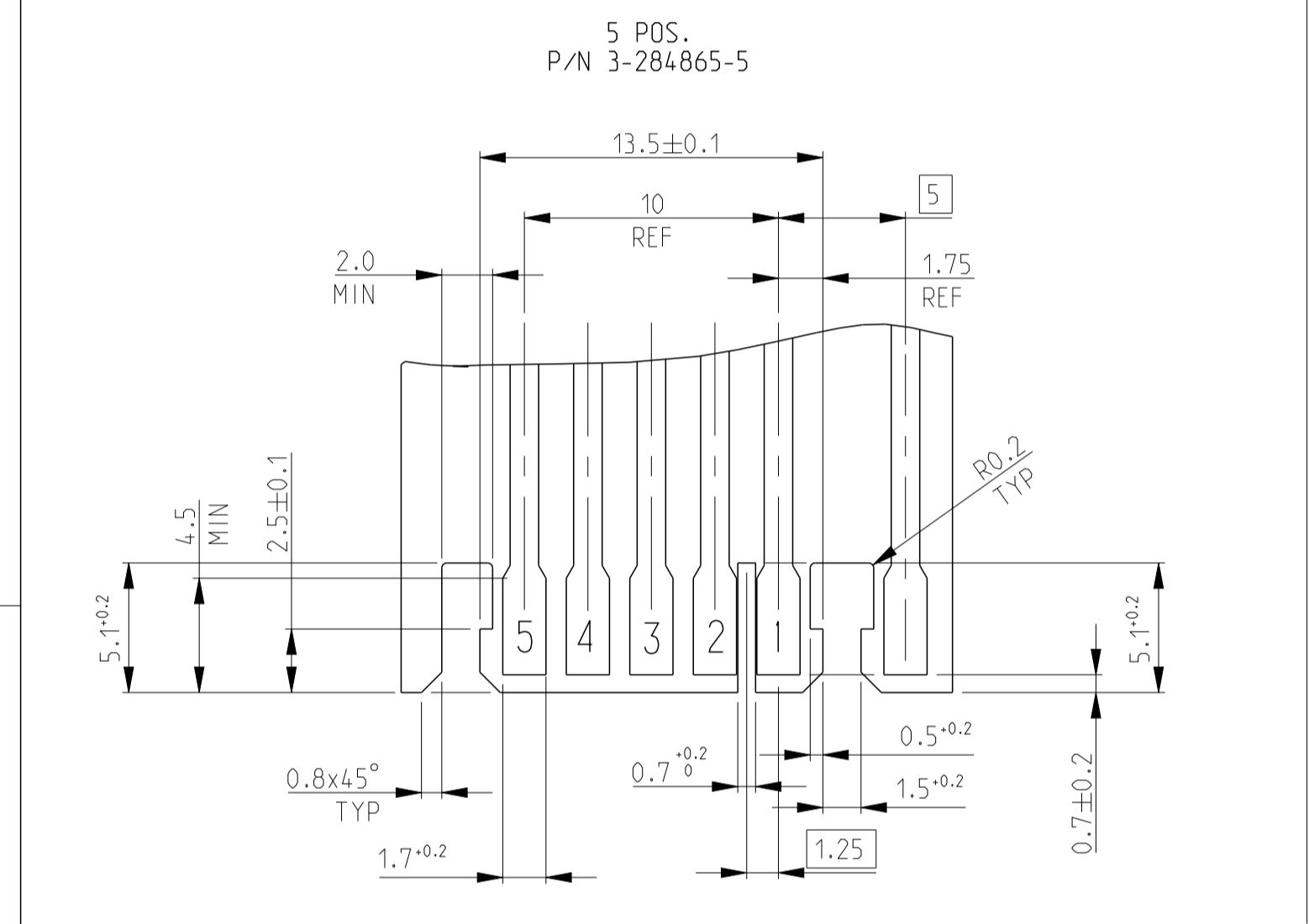
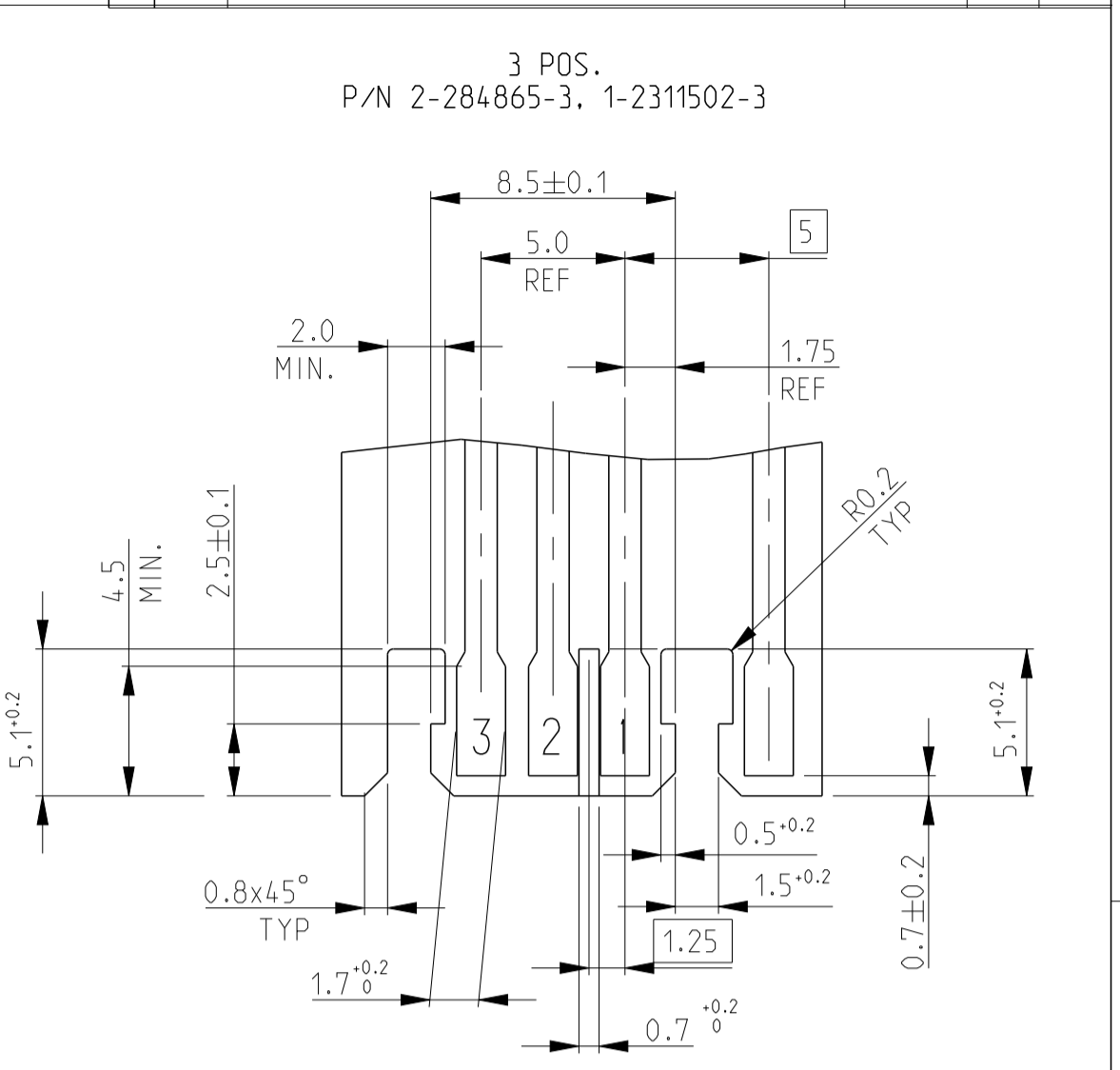
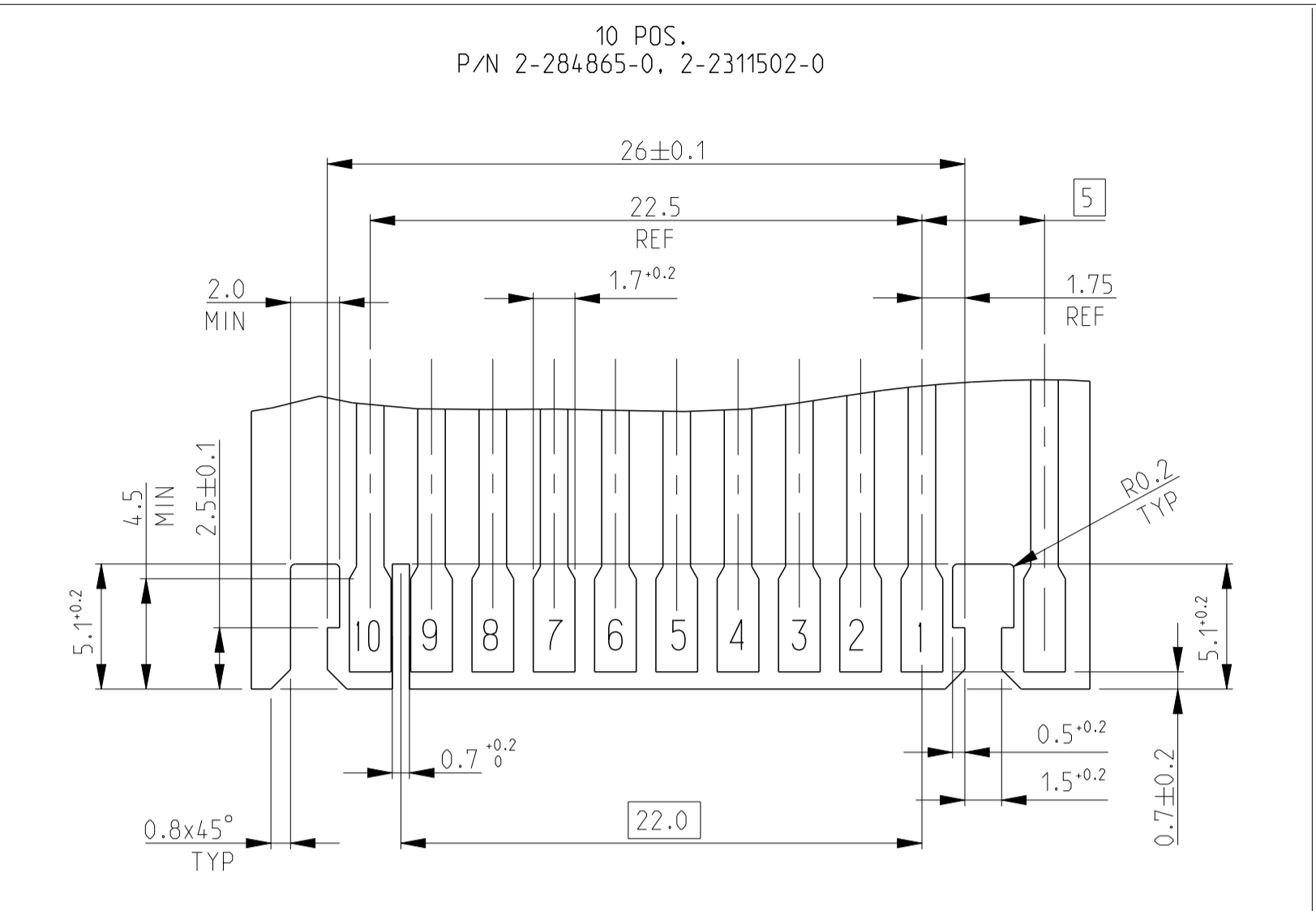
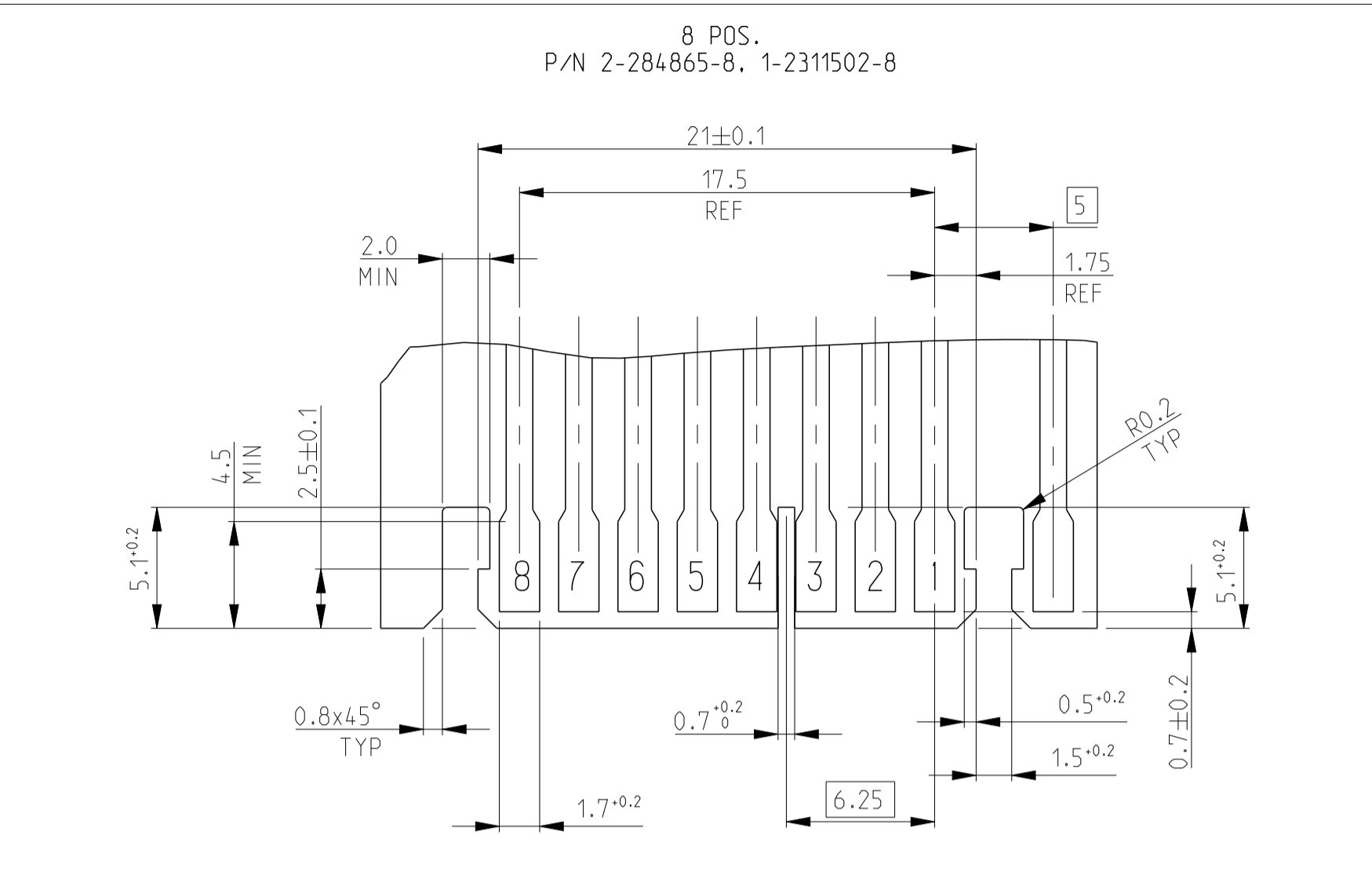
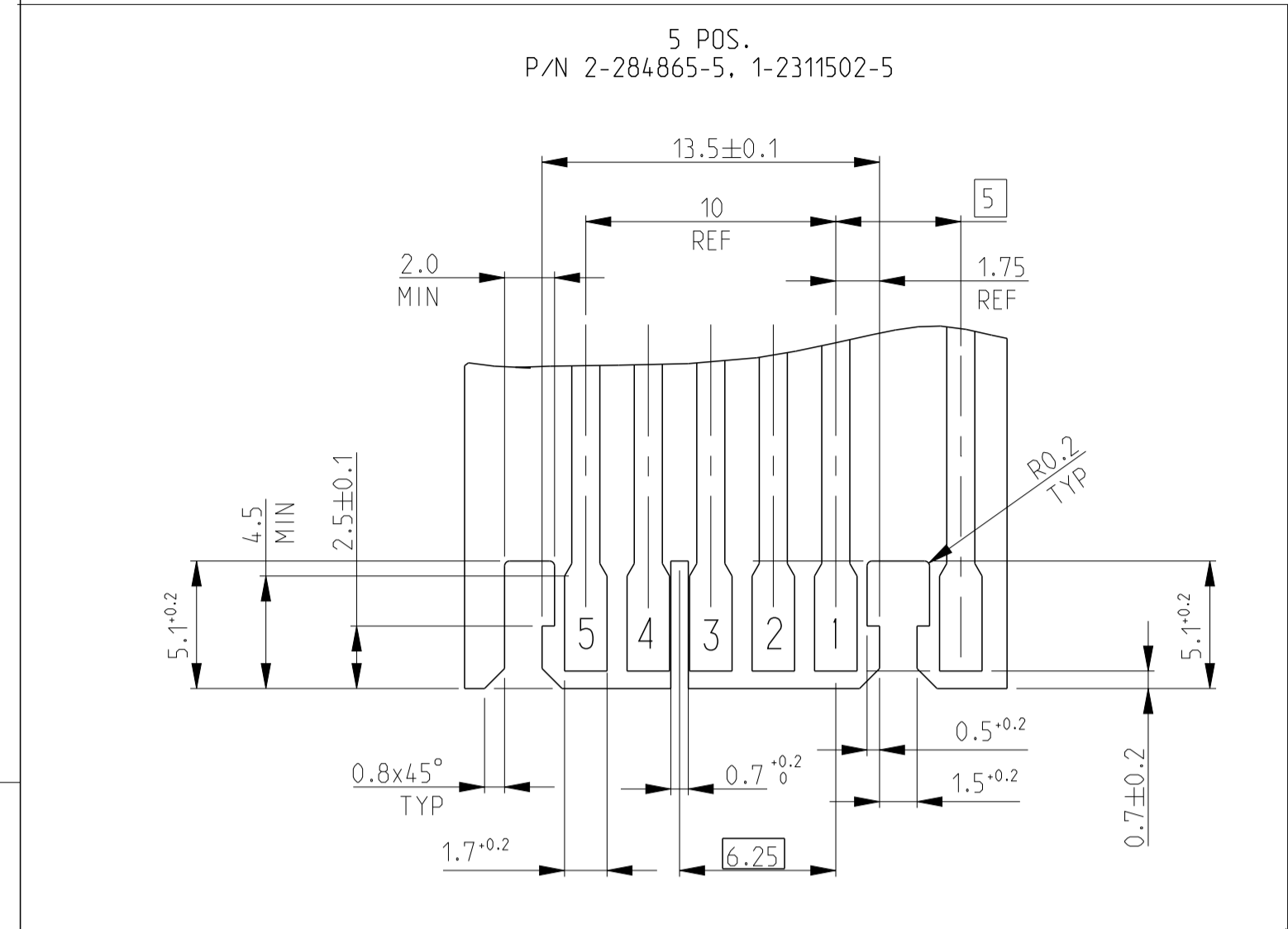
SCALE 10:1 SHEET 2 OF 4 REV B

STE TE Connectivity

LOC		DIST		REVISIONS			
P	LTN	DATE	OWN	APVD	DESCRIPTION		
-	-	-	-	-	SEE SHEET 1		

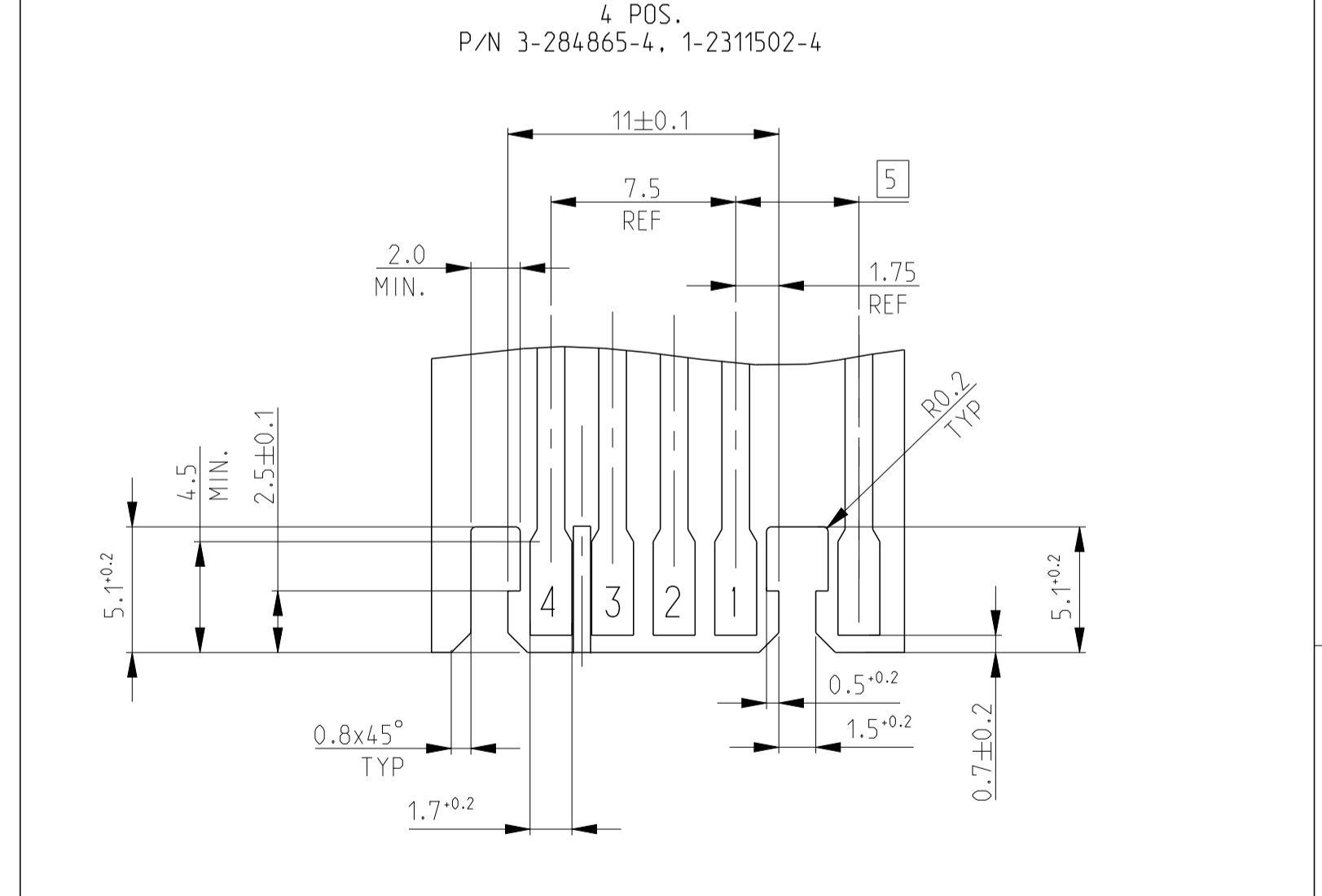
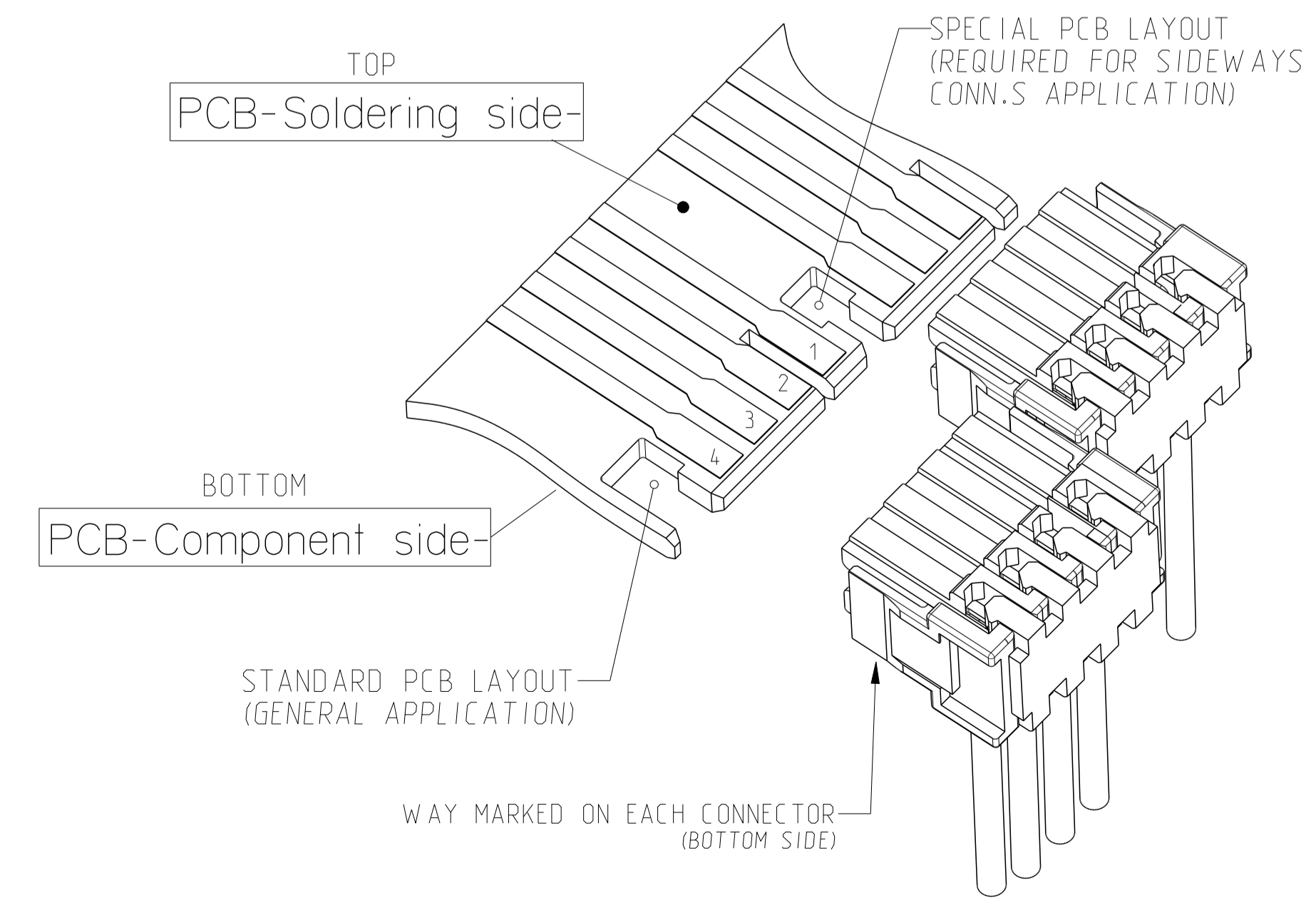
### PCB LAYOUT -Soldering side-

(SCALE 4:1)



### CONNECTION LAYOUT

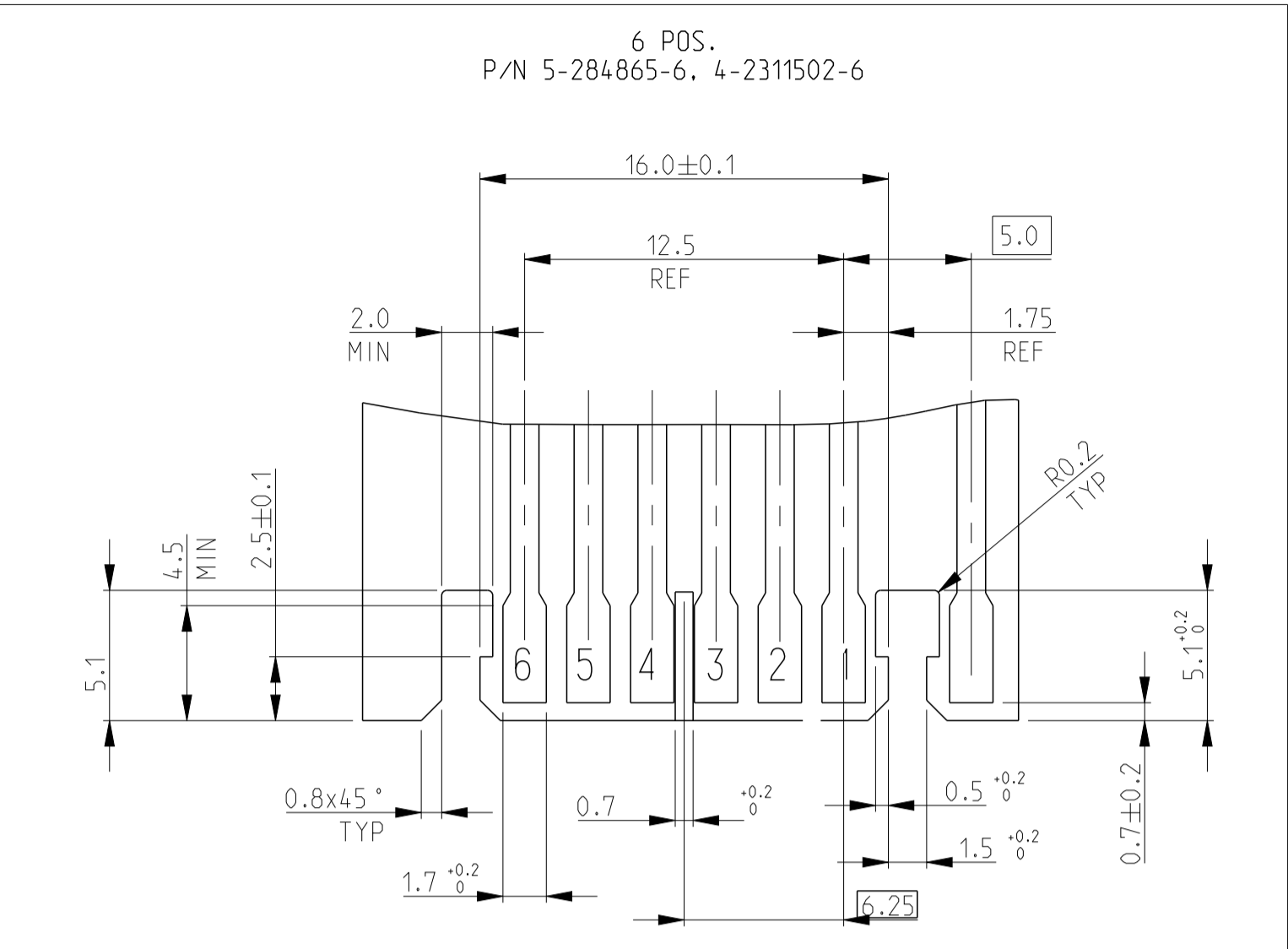
E.G P/N 0-284865-4  
(SCALE 4:1)



THIS DRAWING IS A CONTROLLED DOCUMENT.		OWN R. FABRIS 03JUL2002	TE Connectivity	
DIMENSIONS: mm		CHK -		
TOLERANCES UNLESS OTHERWISE SPECIFIED:		APVD E. TURCO	NAME DUOPLUG 2.5 FEMALE CONN., SIDE LOCKING KEYPED (FULLY LOADED)	
0 PLC # # # #		PRODUCT SPEC 108-20238	SIZE CAGE CODE DRAWING NO RESTRICTED TO	
1 PLC # # # #		APPLICATION SPEC	A1 00779 ©=284865	
2 PLC # # # #		116-18049-1	SHEET 3 OF 4 REV B	
3 PLC # # # #		WEIGHT -	Customer Drawing	
4 PLC # # # #		FINISH -	SCALE 10:1	
ANGLES # # # #				
MATERIAL SEE TABLE				
FINISH SEE TABLE				

### PCB LAYOUT -Soldering side-

(SCALE 4:1)



LOC		DIST		REVISIONS			
		P	LTN	DESCRIPTION	DATE	DWN	APVD
		-		SEE SHEET 1	-	-	-

THIS DRAWING IS A CONTROLLED DOCUMENT.		DWN R. FABRIS	03JUL2002		
DIMENSIONS: mm		CHK -	APVD G. TURCO		
		TOLERANCES UNLESS OTHERWISE SPECIFIED: 0 PLC ± 1 PLC ± 2 PLC ± 3 PLC ± 4 PLC ± ANGLES ±°		PRODUCT SPEC 108-20238 APPLICATION SPEC 116-18049-1	RESTRICTED TO
MATERIAL SEE TABLE	FINISH SEE TABLE	WEIGHT -	SIZE A1	CAGE CODE 00779	DRAWING NO C=284865
Customer Drawing			SCALE 10:1	SHEET 4	OF 4
			REV B		

## X-ON Electronics

Largest Supplier of Electrical and Electronic Components

*Click to view similar products for [Headers & Wire Housings](#) category:*

*Click to view products by [TE Connectivity](#) manufacturer:*

Other Similar products are found below :

[892-18-020-10-001101](#) [58102-G61-06LF](#) [582553-1](#) [0009485154](#) [009176003701906](#) [0050291907](#) [LY20-4P-DT1-P1E-BR](#) [02.125.8002.8](#)  
[609-3404](#) [61062-3](#) [61082-181009](#) [622-3653LF](#) [63453-116](#) [636-1030](#) [636-1427](#) [636-3427](#) [636-4007](#) [641938-9](#) [641991-4](#) [644827-2](#) [65817-010LF](#) [65817-015LF](#) [65863-015LF](#) [66207-023LF](#) [67095-007LF](#) [67601157](#) [68645-018](#) [68648-049](#) [70.362.1628.0](#) [70-4210](#) [70-4226B](#) [70-4853B](#) [707-5020](#) [707-5028](#) [71.350.2428.0](#) [71918-208LF](#) [71961-016LF](#) [733-134](#) [733-162](#) [754199-000](#) [760-3052](#) [787-8014-00](#) [79531-3000](#)  
[FCN-360C032-B](#) [FCN-367T-T012/H](#) [FCN-723D010/2](#) [80.063.4001.1](#) [800-90-001-10-001000](#) [800-90-010-10-002000](#) [801-43-002-10-013000](#)