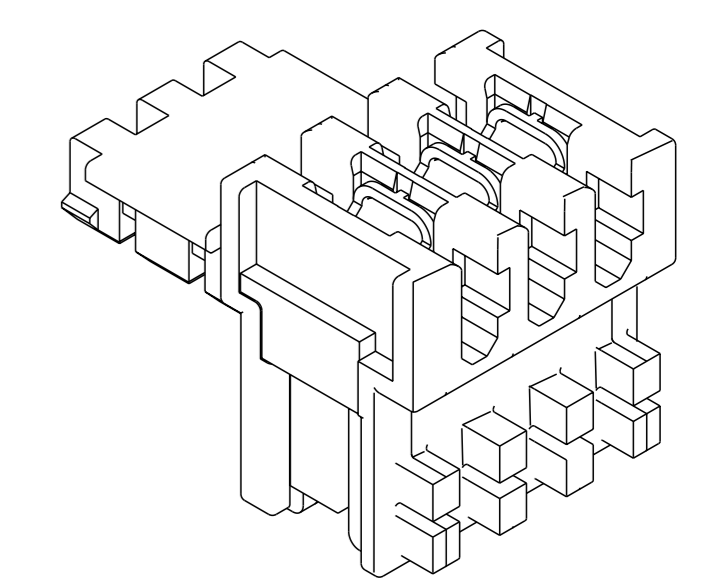
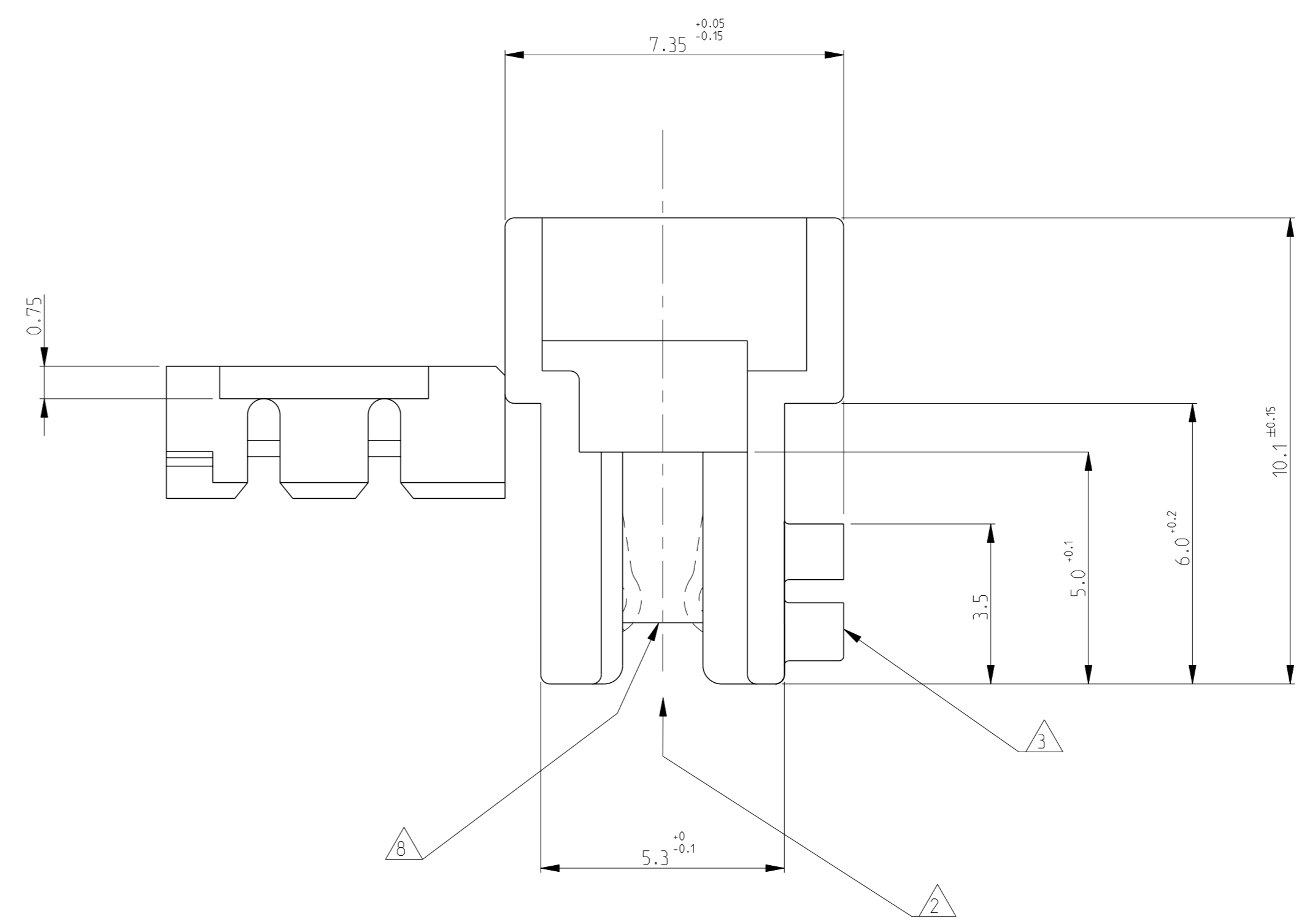
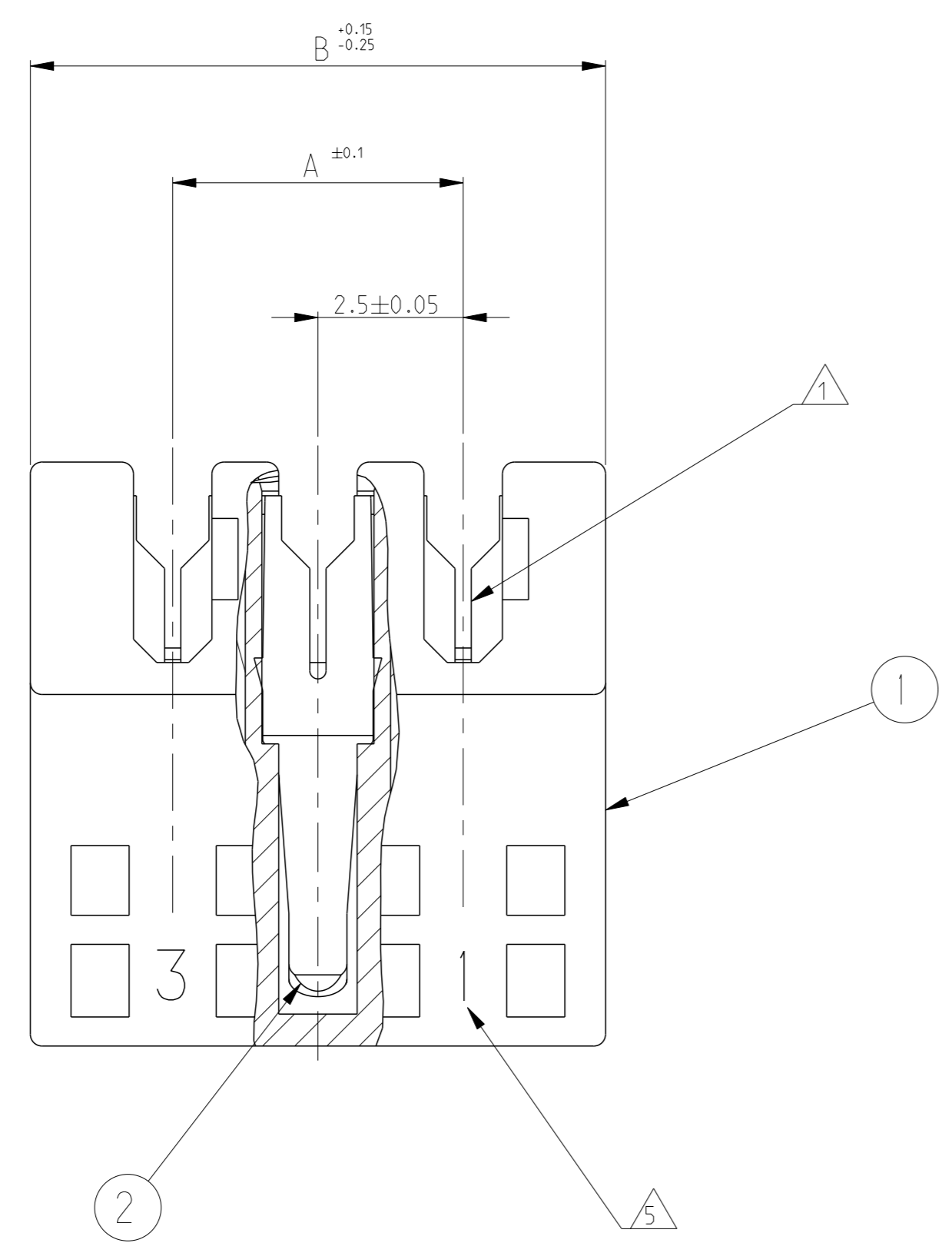
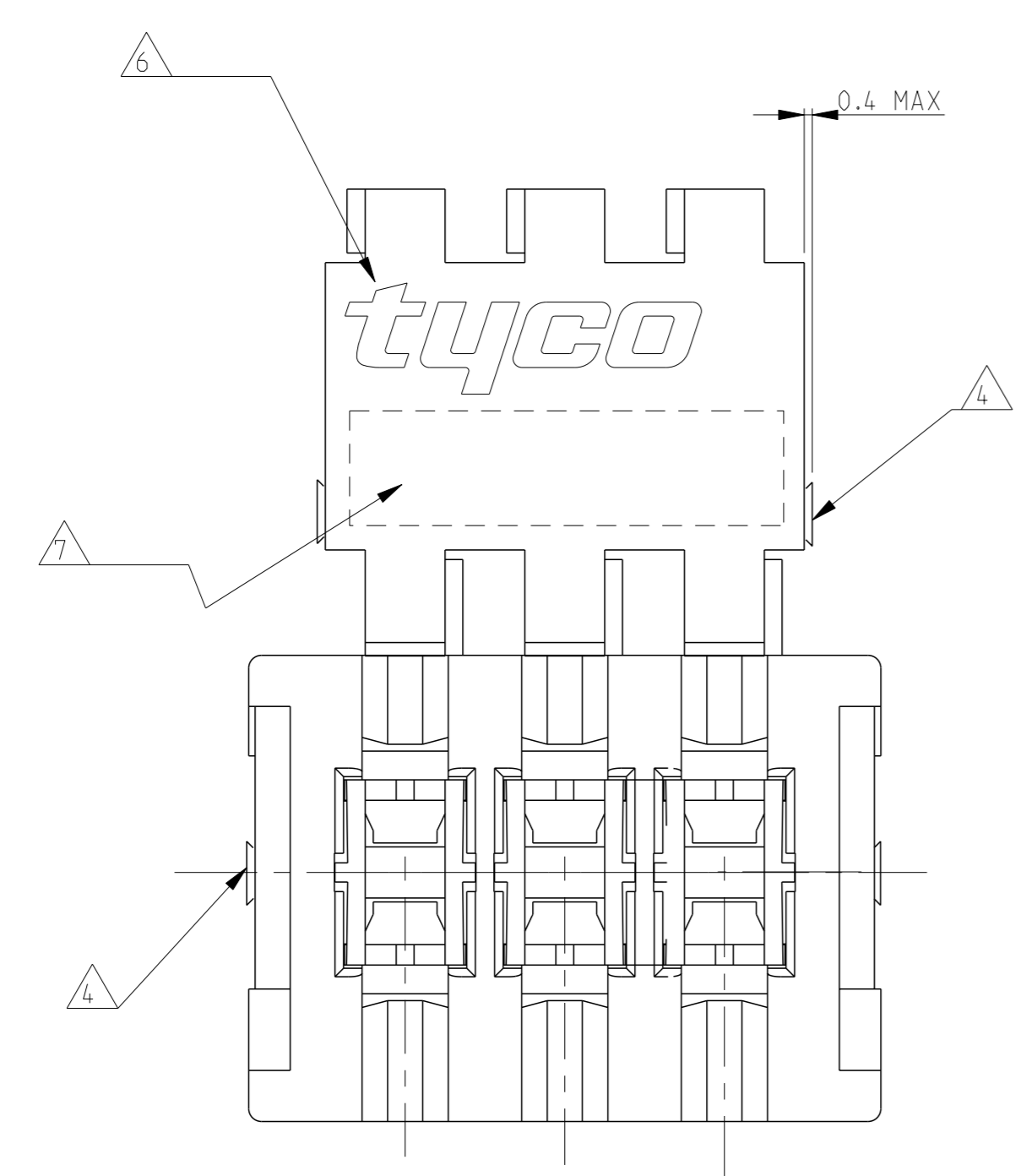


LOC		DIST		REVISIONS				
				REV	DESCRIPTION	DATE	OWN	APVD
		B1		ECR-19-018207		03JAN2020	LZ	FL
		B2		ECR-20-002819		14APR2020	LZ	FL



SCALE 5:1
 P/N 0-284932-3 AS SHOWN



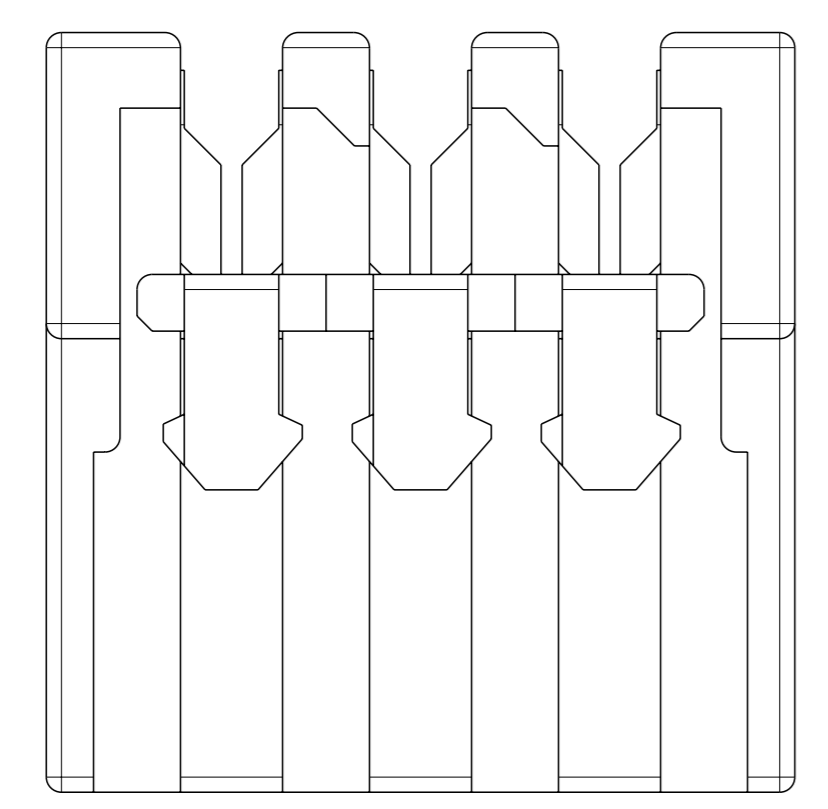
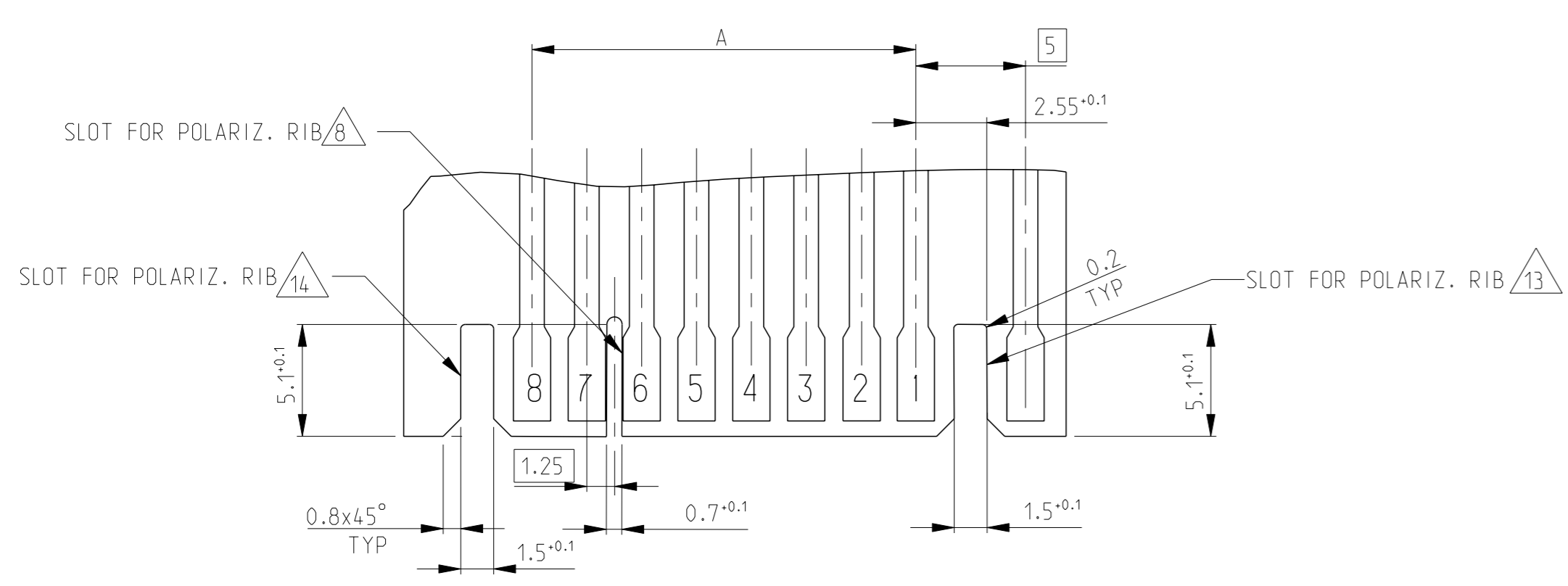
- 1 WIRE RANGE : STRANDED 0.22-0.35 mm² (INS. DIA. 1.30±0.1)
- 2 MATING PART: PCB FRAME P/N 964575 (PCB THK 1.5±0.14 COPPER CLADDING INCLUDED) SEE PRODUCT SPEC. 108-18056 FOR FRAME APPLICATION
- 3 KEYING RIBS TO BE REMOVED BY TERMINATION MACHINE
- 4 CUT OFF DIMENSION DUE TO PRODUCTION PROCESS
- 5 CIRCUIT No. IDENTIFICATION
- 6 TE TRADEMARK (OPTIONAL POSITION)
- 7 TAMPGRAPHIC COLOUR CODE AREA (P/Ns IDENTIFICATION BEFORE CRIMPING)
- 8 POLARIZATION RIB BETWEEN CAVITIES. (SEE SHEET 2 TYPICAL POLARIZATION CUTOFF ON PCB)
- 9 PRELIMINARY PART NOT RELEASED FOR PRODUCTION.
- 10 X - CAVITY LOADED WITH CONTACT
O - CAVITY WITHOUT CONTACT
- 11 PBT GF
- 12 PBT GF. UL94-V0 & GWEPT 750 NO-FLAME. NATURAL
- 13 POLARIZATION RIB IN CAVITY 1. (SEE SHEET 2 TYPICAL POLARIZATION CUTOFF ON PCB)
- 14 POLARIZATION RIB IN LAST CAVITY. (SEE SHEET 2 TYPICAL POLARIZATION CUTOFF ON PCB)

-				THIS DRAWING IS A CONTROLLED DOCUMENT.		OWN R. FABRIS 27FEB2004		TE Connectivity	
SEE TABLE				DIMENSIONS: mm		TOLERANCES UNLESS OTHERWISE SPECIFIED:			
PH. BRONZE, TIN PLATED				IDC RECEPTACLE CONTACT		2		NAME	
PBT GLASS FIBER FILLED				FEMALE HOUSING		1		DUOPLUG 2.5 FEMALE CONNECTOR STANDARD VERSION, KEYED (FULLY LOADED)	
Q.TY				MATERIAL		DESCRIPTION		ITEM	
1				REVISIONE DELL'ASSEMBLATO (REVISION OF EACH ASSY NO)				SIZE	
0.24 PER ASSEMBLATO (0.24 PER ASSY)				ELENCO DEI COMPONENTI (PARTS LIST)				CAGE CODE DRAWING NO	
				MATERIAL SEE TABLE				RESTRICTED TO	
								A1 00779 ©=284932	
								CUSTOMER DRAWING	
								SCALE 10:1 SHEET 1 OF 2 REV B2	

LOC	DIST	REV	DATE	BY	APPV

REVISIONS					
REV	DATE	DESCRIPTION	DATE	BY	APPV
-	-	SEE SHEET 1	-	-	-

RECOMMEND TYPICAL POLARIZATION CUTOFF ON PCB



P/N 0-284932-3 AS SHOWN

BLACK	FULLY LOADED					2/3	13	30.0	34.9	4-284932-3	1-2311501-3 (A13)								
GREEN		X	X	0	X	0	X			3-284932-6	2311505-6								
BLUE	FULLY LOADED									1-284932-6	4-2311500-6								
	FULLY LOADED		X		X			12	27.5	32.4	2311501-2								
BLACK	FULLY LOADED					9/10	11	25.0	29.9	1-284932-1	1-2311501-1								
BLACK	FULLY LOADED					7/8	10	22.5	27.4	1-284932-0	2-2311500-0								
	FULLY LOADED		X		X						1-2311500-9								
BLACK	FULLY LOADED		X		X	2/3	9	20.0	24.9	0-284932-9	2311500-9								
	FULLY LOADED					6/7					4-2311500-8								
ORANGE	FULLY LOADED					2/3	8	17.5	22.4	2-284932-8	3-2311500-8								
BLACK						1/2 and 7/8				0-284932-8	2-2311500-8								
RED	FULLY LOADED					2/3	7	15.0	19.9	0-284932-7	1-2311500-7								
	FULLY LOADED		X		X						7-2311500-6								
BLACK	FULLY LOADED					1/2	6	12.5	17.4	2-284932-6	3-2311500-6								
RED						2/3				0-284932-6	2-2311500-6								
RED	FULLY LOADED					4/5				3-284932-5	5-2311500-5								
GREEN	FULLY LOADED					3/4	5	10.0	14.9	2-284932-5	4-2311500-5								
ORANGE	FULLY LOADED					2/3				4-284932-5	3-2311500-5								
BLACK	FULLY LOADED									0-284932-5	2-2311500-5								
BLACK	FULLY LOADED					3/4				2-284932-4	4-2311500-4								
ORANGE	FULLY LOADED					1/2	4	7.5	12.4	0-284932-4	3-2311500-4								
	FULLY LOADED		X		X						2-2311500-4								
RED	FULLY LOADED					2/3	3	5.0	9.9	3-284932-3	6-2311500-3								
GREEN										2-284932-3	5-2311500-3								
BLACK	FULLY LOADED					1/2				0-284932-3	4-2311500-3								
COLOUR CODE	11	10	9	8	7	6	5	4	3	2	1	POLARIZ. RIB LAST CAVITY	POLARIZ. RIB CAVITY 1	POLARIZ. RIB	HSG POS	DIM. A	DIM. B	TE P/N	TE P/N

THIS DRAWING IS A CONTROLLED DOCUMENT. OWN R. FABRIS 27FEB2004
 DIMENSIONS: mm TOLERANCES UNLESS OTHERWISE SPECIFIED:
 0 PLC ±0.2
 1 PLC ±0.2
 2 PLC ±0.2
 3 PLC ±0.2
 4 PLC ±0.2
 ANGLES FINISH ±°

APVD G. TURCO 27FEB2004
 PRODUCT SPEC 108-18056
 APPLICATION SPEC 116-18049-1
 WEIGHT -
 CUSTOMER DRAWING

STE TE Connectivity
 NAME DUOPLUG 2.5 FEMALE CONNECTOR STANDARD VERSION, KEYED (FULLY LOADED)
 SIZE CAGE CODE DRAWING NO RESTRICTED TO A1 00779 ©=284932 -
 SCALE 10:1 SHEET 2 OF 2 REV B2

X-ON Electronics

Largest Supplier of Electrical and Electronic Components

Click to view similar products for [Headers & Wire Housings](#) category:

Click to view products by [TE Connectivity](#) manufacturer:

Other Similar products are found below :

[892-18-020-10-001101](#) [58102-G61-06LF](#) [582553-1](#) [0009485154](#) [009176003701906](#) [0050291907](#) [LY20-4P-DT1-P1E-BR](#) [02.125.8002.8](#)
[609-3404](#) [61062-3](#) [61082-181009](#) [622-3653LF](#) [63453-116](#) [636-1030](#) [636-1427](#) [636-3427](#) [636-4007](#) [641938-9](#) [641991-4](#) [644827-2](#) [65817-010LF](#) [65817-015LF](#) [65863-015LF](#) [66207-023LF](#) [67095-007LF](#) [67601157](#) [68645-018](#) [68648-049](#) [70.362.1628.0](#) [70-4210](#) [70-4226B](#) [70-4853B](#) [707-5020](#) [707-5028](#) [71.350.2428.0](#) [71918-208LF](#) [71961-016LF](#) [733-134](#) [733-162](#) [754199-000](#) [760-3052](#) [787-8014-00](#) [79531-3000](#)
[FCN-360C032-B](#) [FCN-367T-T012/H](#) [FCN-723D010/2](#) [80.063.4001.1](#) [800-90-001-10-001000](#) [800-90-010-10-002000](#) [801-43-002-10-013000](#)