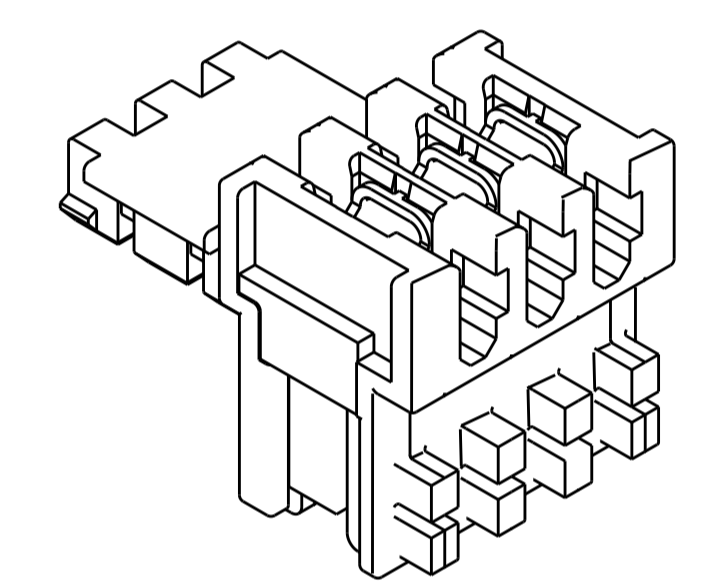
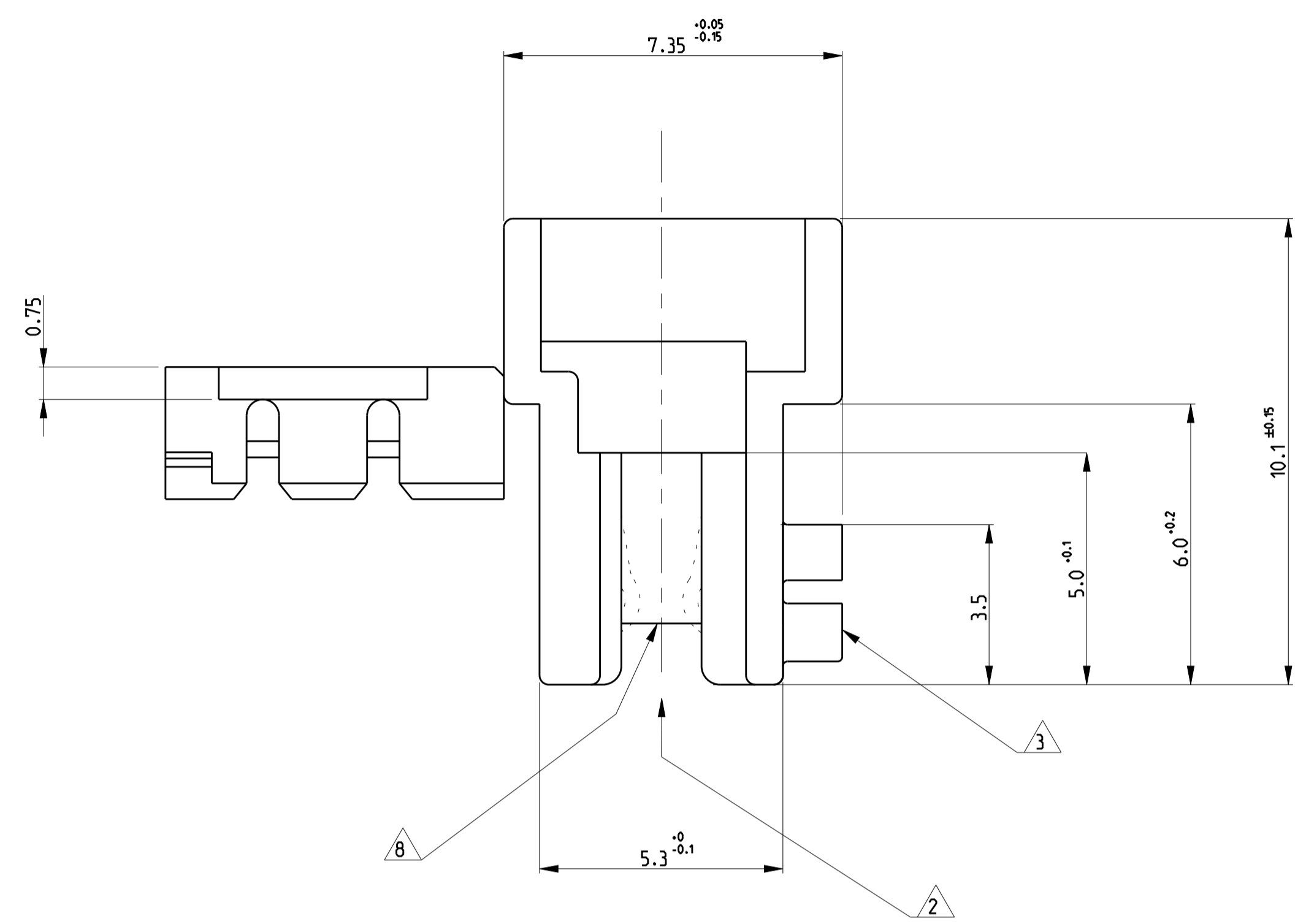
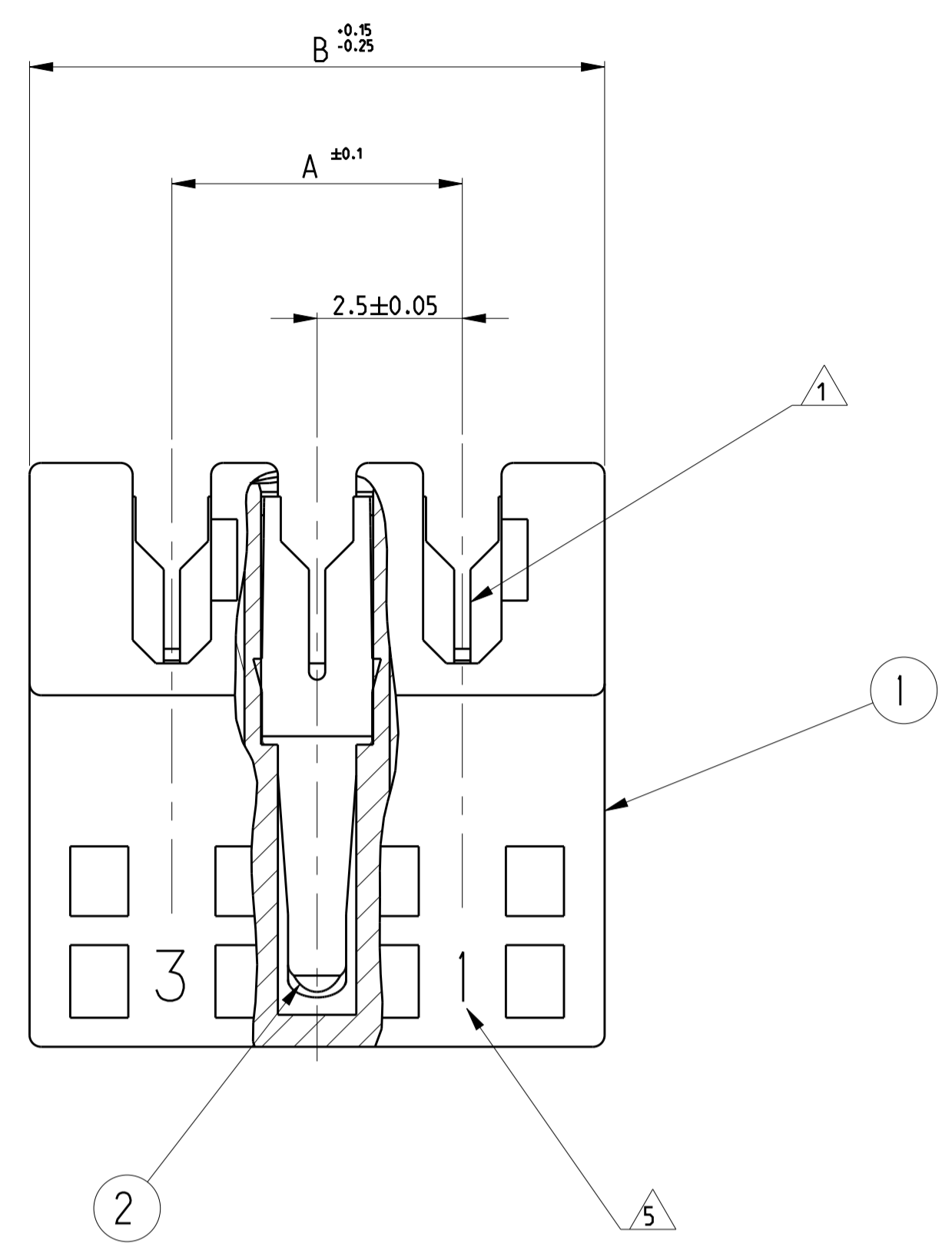
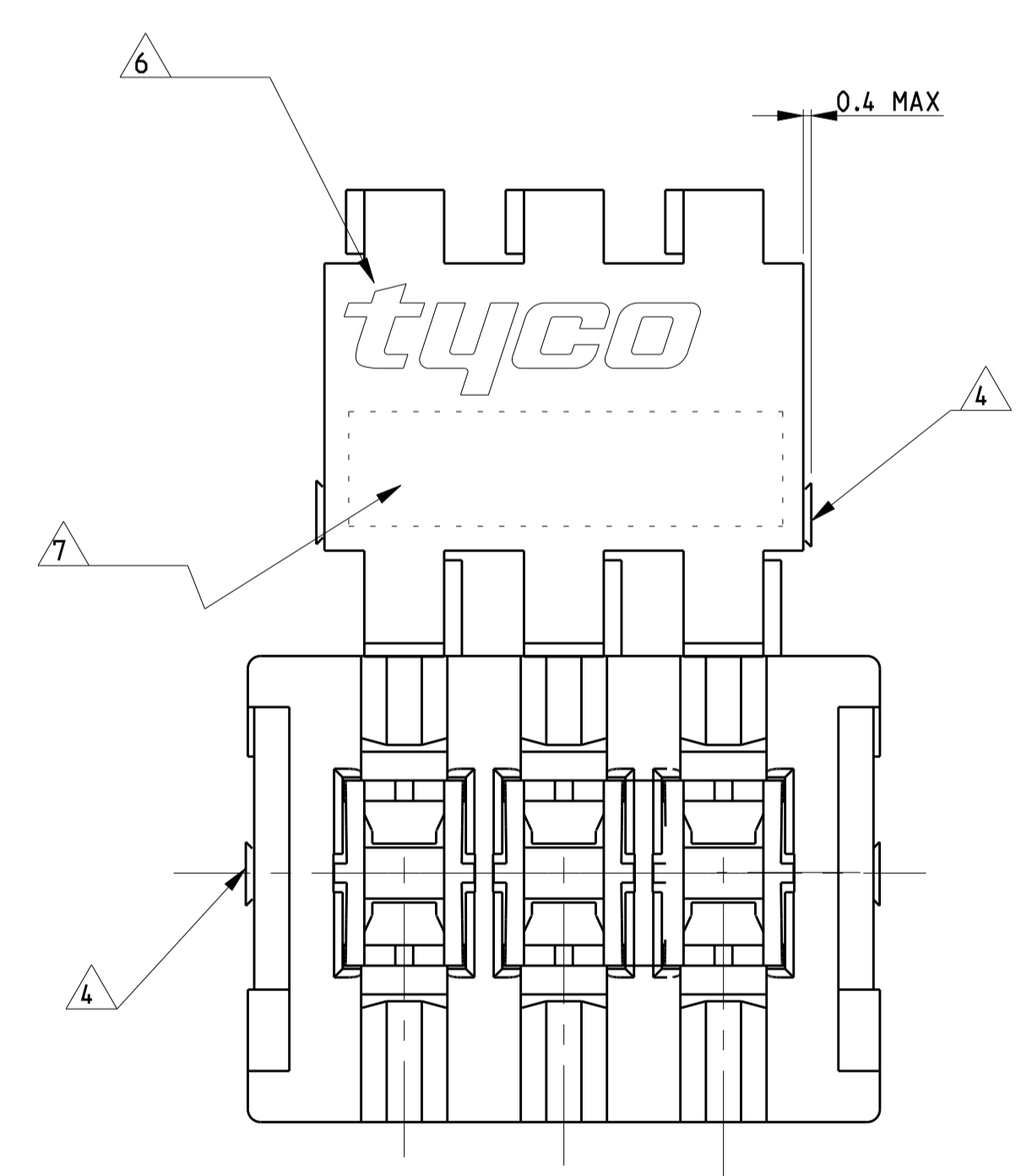


LOC		DIST		REVISIONS			
P	LTR	DESCRIPTION	DATE	DWN	APVD		
B1		ECR-19-018207	03JAN2020	LZ	FL		



SCALE 5:1
 P/N 0-284932-3 AS SHOWN

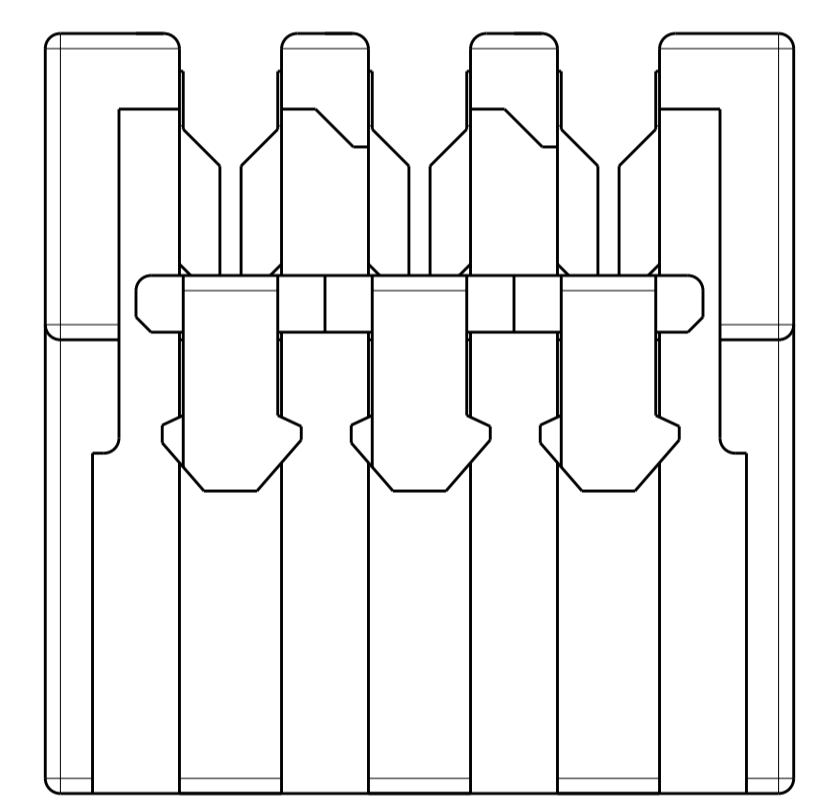
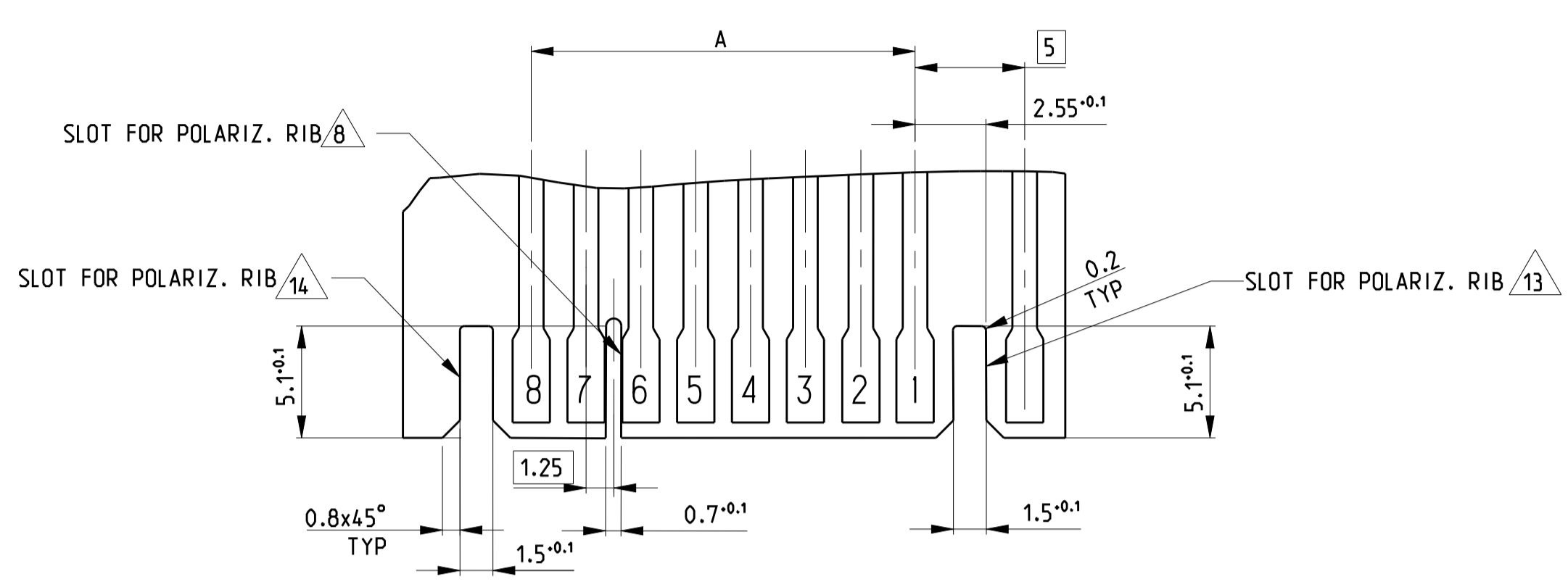


- 1 WIRE RANGE : STRANDED 0.22-0.35 mm² (INS. DIA. 1.30±0.1)
- 2 MATING PART: PCB FRAME P/N 964575 (PCB THK 1.5±0.14 COPPER CLADDING INCLUDED) SEE PRODUCT SPEC. 108-18056 FOR FRAME APPLICATION
- 3 KEYING RIBS TO BE REMOVED BY TERMINATION MACHINE
- 4 CUT OFF DIMENSION DUE TO PRODUCTION PROCESS
- 5 CIRCUIT No. IDENTIFICATION
- 6 TE TRADEMARK (OPTIONAL POSITION)
- 7 TAMPOGRAPHIC COLOUR CODE AREA (P/Ns IDENTIFICATION BEFORE CRIMPING)
- 8 POLARIZATION RIB BETWEEN CAVITIES. (SEE SHEET 2 TYPICAL POLARIZATION CUTOFF ON PCB)
- 9 PRELIMINARY PART NOT RELEASED FOR PRODUCTION.
- 10 X - CAVITY LOADED WITH CONTACT
O - CAVITY WITHOUT CONTACT
- 11 PBT GF
- 12 PBT GF. UL94-V0 & GWEPT 750 NO-FLAME. NATURAL
- 13 POLARIZATION RIB IN CAVITY 1. (SEE SHEET 2 TYPICAL POLARIZATION CUTOFF ON PCB)
- 14 POLARIZATION RIB IN LAST CAVITY. (SEE SHEET 2 TYPICAL POLARIZATION CUTOFF ON PCB)

-				THIS DRAWING IS A CONTROLLED DOCUMENT.		DWN R. FABRIS 27FEB2004			
SEE TABLE				DIMENSIONS: mm		TOLERANCES UNLESS OTHERWISE SPECIFIED:			
PH. BRONZE, TIN PLATED				IDC RECEPTACLE CONTACT		2		NAME	
PBT GLASS FIBER FILLED				FEMALE HOUSING		1		DUOPLUG 2.5 FEMALE CONNECTOR STANDARD VERSION, KEYED (FULLY LOADED)	
MATERIAL				DESCRIPTION		ITEM		SIZE CAGE CODE DRAWING NO	
1				REVISIONE DELL'ASSEMBLATO (REVISION OF EACH ASSY NO)				RESTRICTED TO	
0.24' REV ASSEMBLATO DAT. REV. PER ASSY				ELENCO DEI COMPONENTI (PARTS LIST)				SCALE 10:1 SHEET 1 OF 2 REV B1	

LOC		DIST		REVISIONS			
P	LTR	DESCRIPTION	DATE	DWN	APVD		
-	-	SEE SHEET 1	-	-	-		

RECOMMEND TYPICAL POLARIZATION CUTOFF ON PCB



P/N 0-284932-3 AS SHOWN

COLOUR CODE	11	10	9	8	7	6	5	4	3	2	1	POLARIZ. RIB LAST CAVITY	POLARIZ. RIB CAVITY 1	POLARIZ. RIB	HSG POS	DIM.A	DIM.B	TE P/N	TE P/N		
BLACK																2/3	13	30.0	34.9	4-284932-3	1-2311501-3 (A13)
GREEN						X	X	0	X	0	X					4/5	6	12.5	17.4	3-284932-6	2311505-6
BLUE																				1-284932-6	4-2311500-6
																					2311501-2
BLACK																9/10	11	25.0	29.9	1-284932-1	1-2311501-1
BLACK																7/8	10	22.5	27.4	1-284932-0	2-2311500-0
																					1-2311500-9 (9)
BLACK																2/3	9	20.0	24.9	0-284932-9	2311500-9
																					4-2311500-8 (9)
ORANGE																2/3	8	17.5	22.4	2-284932-8	3-2311500-8
BLACK																1/2 and 7/8				0-284932-8	2-2311500-8
RED																2/3	7	15.0	19.9	0-284932-7	1-2311500-7
																					7-2311500-6 (9)
BLACK																1/2	6	12.5	17.4	2-284932-6	3-2311500-6
RED																2/3				0-284932-6	2-2311500-6
RED																4/5				3-284932-5	5-2311500-5
GREEN																3/4	5	10.0	14.9	2-284932-5	4-2311500-5
ORANGE																2/3				4-284932-5	3-2311500-5
BLACK																3/4				0-284932-5	2-2311500-5
BLACK																3/4				2-284932-4	4-2311500-4
ORANGE																1/2	4	7.5	12.4	0-284932-4	3-2311500-4
																					2-2311500-4 (9)
RED																2/3				3-284932-3	6-2311500-3
GREEN																2/3	3	5.0	9.9	2-284932-3	5-2311500-3
BLACK																1/2				0-284932-3	4-2311500-3

THIS DRAWING IS A CONTROLLED DOCUMENT. DWN R. FABRIS 27FEB2004
 CHE -
 DIMENSIONS: mm
 TOLERANCES UNLESS OTHERWISE SPECIFIED:
 0 PLC ±0.2
 1 PLC ±0.2
 2 PLC ±0.2
 3 PLC ±0.2
 4 PLC ±
 ANGLES ±
 FINISH ±

DUOPLUG 2.5 FEMALE CONNECTOR STANDARD VERSION, KEYED (FULLY LOADED)
 108-18056
 116-18049-1
 WEIGHT -
 CUSTOMER DRAWING

TE Connectivity
 NAME
 SIZE CAGE CODE DRAWING NO RESTRICTED TO
 A1 00779 C=284932 -
 SCALE 10:1 SHEET 2 OF 2 REV B1

X-ON Electronics

Largest Supplier of Electrical and Electronic Components

Click to view similar products for [Automotive Connectors](#) category:

Click to view products by [TE Connectivity](#) manufacturer:

Other Similar products are found below :

[003-018-000](#) [600858](#) [60403001](#) [60993906-B](#) [60993913-B](#) [629515004020001](#) [M902-2131](#) [M902-2161](#) [M902-2344](#) [72.330.1035.1](#)
[73.353.4028.0](#) [F118010](#) [F119300-B](#) [F132210](#) [F132210-B](#) [F166900](#) [F180100](#) [F258300](#) [F258300-B](#) [F294300-B](#) [F339100](#) [F339700](#) [F358300-](#)
[B](#) [F374110](#) [F407400](#) [F412210](#) [F427600](#) [F444110](#) [F487000](#) [F495100-B](#) [F500900-B](#) [F509500B-B](#) [770444-1](#) [776880-1](#) [827153-1](#) [881735-1](#)
[8N1515-32-24P](#) [9-1326727-8](#) [9-1326729-8](#) [925467-1](#) [925474-1](#) [928905-1](#) [936398-2](#) [964562-1](#) [964562-4](#) [964731-2](#) [965051-1](#) [968782-1](#)
[GT17SA-8DS-HU](#) [GT17VS-10DP-5.2CF](#)