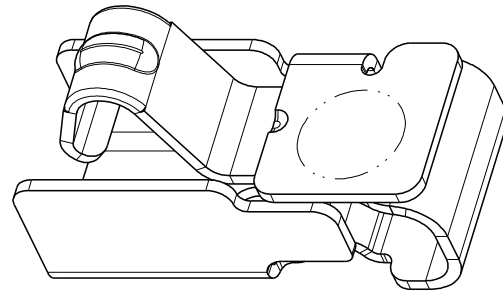
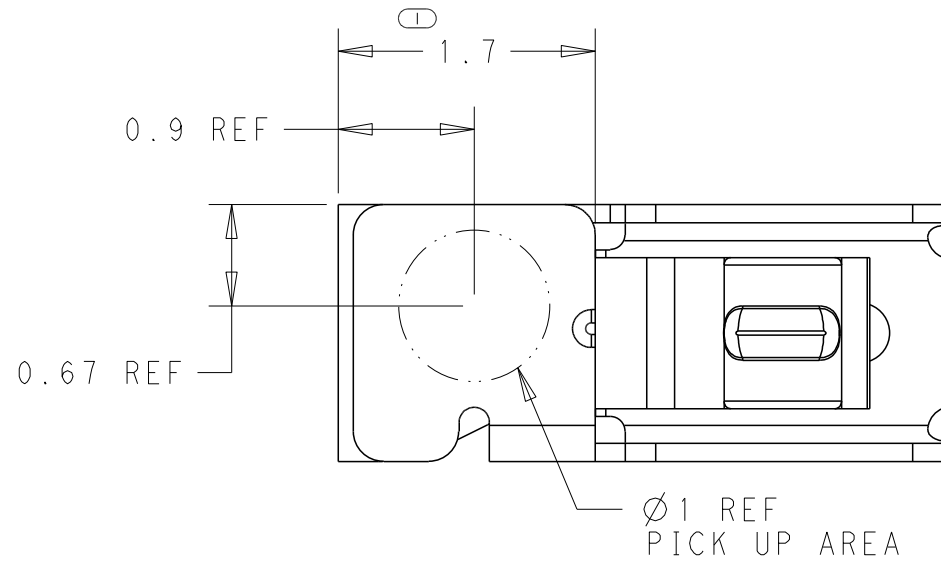
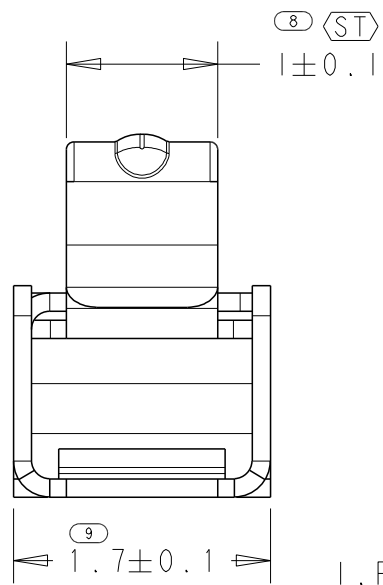
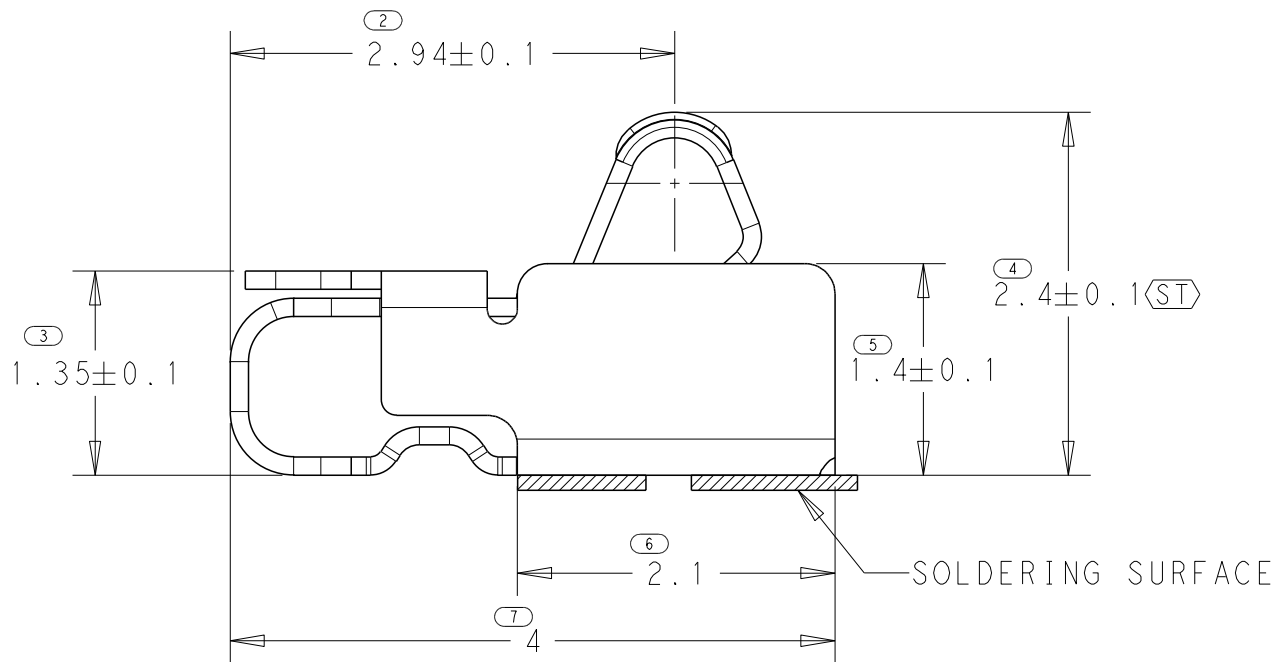
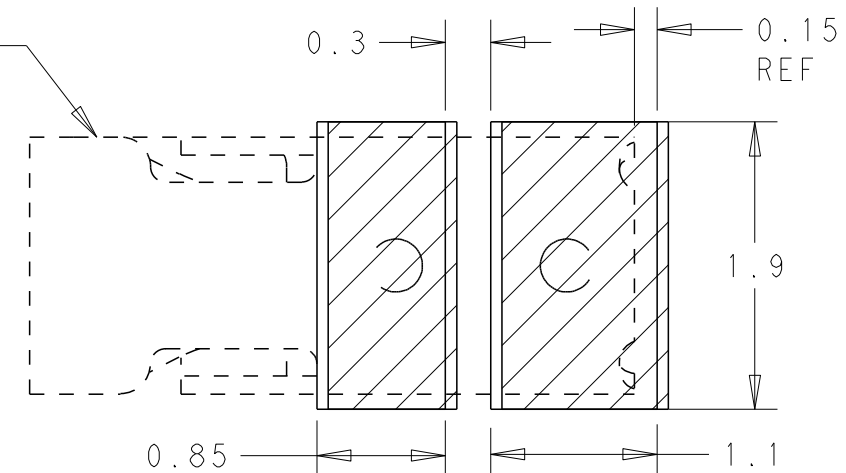


REVISIONS

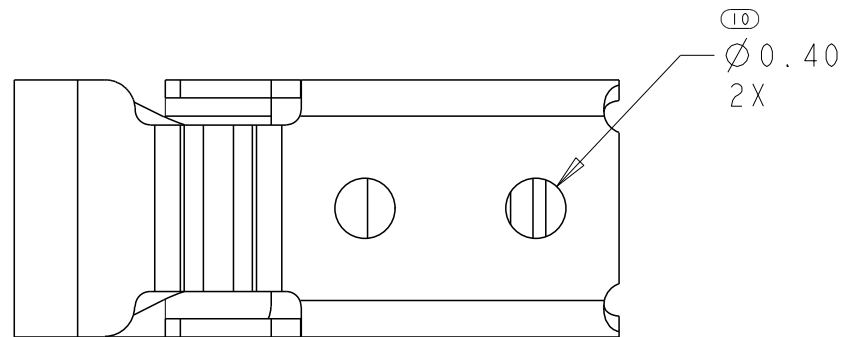
P	LTR	DESCRIPTION	DATE	DWN	APVD
	A1	RELEASED ECR-15-007714	16JUL2015	J. J	W. H




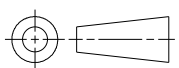
CONNECTOR PROFILE



RECOMMENDED P.C.B LAYOUT TOLERANCE ±0.05



- 1. PART NUMBER: 2286211-3.
- 2. MATERIAL: COPPER ALLOY . THICKNESS=0.12MM.
- 3. FINISH : 2um MIN. NICKEL UNDERLAYER ALL OVER .
0.5um MIN. GOLD PLATING ON CONTACT AREA .
0.05um MIN. GOLD PLATING ON SOLDER AREA .
- 4. NORMAL FORCE: 0.8N MIN AT NORMAL HEIGHT 1.60 MM.
- 5. WORKING RANGE: 1.40MM ~ 2.00 MM
- 6. RECOMMENDED SOLDERING THICKNESS 0.10MM.
- 7. FEATURES IDENTIFIED AS STATISTIACLLY TOLERANCED <ST>

THIS DRAWING IS A CONTROLLED DOCUMENT.		DWN	JONE JI	26MAR14	 TE Connectivity
		CHK	WENKE HE	26MAR14	
		APVD	WENKE HE	26MAR14	
DIMENSIONS: mm		TOLERANCES UNLESS OTHERWISE SPECIFIED: 0-PLC ±0.2 1-PLC ±0.3 2-PLC ±0.25 3-PLC ±0.15 4-PLC ±0.1 ANGLES ±		NAME	
		PRODUCT SPEC 108-115073		HIGH CURRENT SPRING FINGER	
MATERIAL		FINISH		RESTRICTED TO	
-		-		-	
-		-		-	
CUSTOMER DRAWING			SIZE	CAGE CODE	DRAWING NO
			A3	00779	C=2286211
SCALE			SHEET		REV
20:1			1 OF 2		A1

4

3

2

1

THIS DRAWING IS UNPUBLISHED.

RELEASED FOR PUBLICATION

04MAR2004

© COPYRIGHT 04MAR2004 BY -

ALL RIGHTS RESERVED.

REVISIONS

P	LTR	DESCRIPTION	DATE	DWN	APVD
-	-	SEE SHEET 1	-	-	-

18.4 REF
12.4
Ø 330

PEELING ANGLE
165°~180°
PEELING FORCE
0.1N~1.0N

WITH PRODUCT CHARGE
5000EA/REEL
NO EMPTY POCKETS
ARE PERMITTED

300MIN COVER TAPE
100mm MIN WITHOUT CHARGE

160mm MIN
WITHOUT CHARGE

➔ DIRECTION OF TOP OF REEL

⑪ 4±0.1
⑫ 1.75
⑬ 12±0.3
4.4 REF
PICK UP AREA

⑭ 0.4

SECTION A - A

- 3 ; AS SHOWN

THIS DRAWING IS A CONTROLLED DOCUMENT.

DWN JONE JI 26MAR14

CHK WENKE HE 26MAR14

APVD WENKE HE 26MAR14

PRODUCT SPEC

108-115073

APPLICATION SPEC

WEIGHT

-

TE Connectivity

NAME

HIGH CURRENT SPRING FINGER

SIZE

A3

CAGE CODE

-

DRAWING NO

C-2286211

RESTRICTED TO

-

DIMENSIONS:

mm

TOLERANCES UNLESS
OTHERWISE SPECIFIED:
± 0.2

0-PLC	±
1-PLC	±0.3
2-PLC	±0.25
3-PLC	±0.15
4-PLC	±0.1
ANGLES	±

FINISH

SEE NOTE

MATERIAL

SEE NOTE

CUSTOMER DRAWING

SCALE 1:1

SHEET 2 OF 2

REV A1

1470-19 (3/13)

X-ON Electronics

Largest Supplier of Electrical and Electronic Components

Click to view similar products for [EMI Gaskets, Sheets, Absorbers & Shielding](#) *category:*

Click to view products by [TE Connectivity](#) *manufacturer:*

Other Similar products are found below :

[8101010140](#) [8563-0090-89](#) [1194-7.7X10](#) [1245-34"X18YD](#) [1267](#) [1345-3/8x18yrd](#) [1380-2"X8"](#) [1554907-1](#) [2320002000](#) [2320014700](#)
[SG293037DS](#) [ST005PCN50](#) [55005107](#) [38M4040AA0606](#) [46J5N02020.NN00](#) [1125-8X10](#) [1126X1"](#) [1170-3/4X18YDS](#) [1170-7.7x10](#) [1183-](#)
[12"X18YD](#) [6-34T-BD-0.315](#) [SG125187D-24](#) [SG125250R-24](#) [SG187375R-24](#) [SG284050DS](#) [8402010540](#) [KIT TECH CLIP](#) [1194](#) [10-40450-](#)
[28S](#) [1245](#) [1267-1/2"x18yd](#) [46J8501020.NN00](#) [1170-1/4"x18yd](#) [AL-36FR-1x54.5](#) [3013310A](#) [1194X1"](#) [3020604](#) [3021302](#) [3031313](#) [260709](#)
[3021310](#) [6-34UT-070-BD-16](#) [303076048](#) [46J5N03020.NN00](#) [30206025](#) [30395641](#) [3030403](#) [3690103020](#) [HNY-LT15CU4241](#) [1170-](#)
[3/8"x18yd](#)