

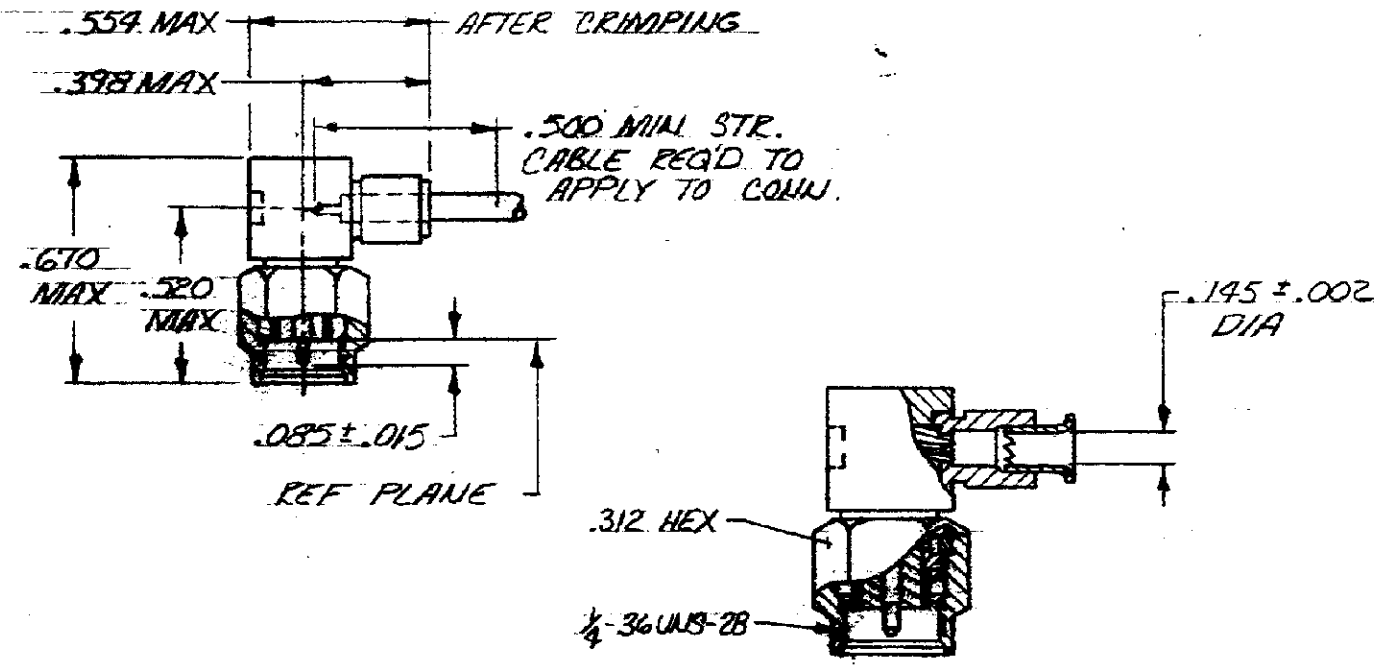
DRAWING MADE IN THIRD ANGLE PROJECTION

THIS DRAWING IS UNPUBLISHED. RELEASED FOR PUBLICATION, 19

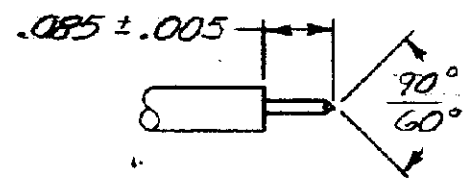
© COPYRIGHT 19 BY AMP INCORPORATED, HARRISBURG, PA. ALL INTERNATIONAL RIGHTS RESERVED. AMP PRODUCTS MAY BE COVERED BY U.S. AND FOREIGN PATENTS AND/OR PATENTS PENDING.

LOC **AJ** DIST **16**

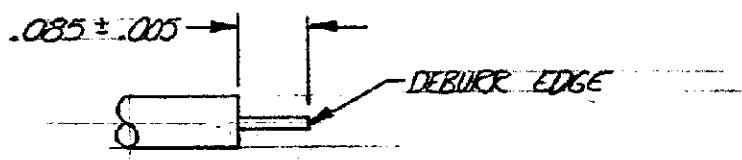
REVISIONS						
P	F	ZONE	LTR	DESCRIPTION	DATE	APPROVED
✓	✓		8	REV & REDWN C83-735		TJ/LH
✓	✓		C	REV PER AJ-2419	1-15-87	BAM/JH



1. FOR USE WITH : .141 SEMI RIGID CABLE.
- ② SILICONE RUBBER PER ZZ-R-765.
- ③ STAINLESS STEEL PER QQ-S-764.
- ④ BRASS PER QQ-B-613.
- ⑤ TEFLON PER LP-403.
- ⑥ NICKEL PL PER QQ-N-290.
- ⑦ GOLD PL PER MIL-G-95204.
- ⑧ BERYLLIUM COPPER PER QQ-C-530.
- ⑨ PASSIVATED BODY.
10. MILITARY P/N 00779 M39012/80-3308



RECOMMENDED STRIP LENGTH



OPTIONAL STRIP LENGTH

UNLESS OTHERWISE SPECIFIED DIMENSIONS ARE IN INCHES. TOLERANCES ON: DECIMALS ± ANGLES ±		CONTRACT NO		AMP INCORPORATED Harrisburg, Pa.	
MATERIAL		DR. T. Smith 7/18/83		NAME CONNECTOR, COAXIAL, R.F. PLUG, RIGHT ANGLE MIL-F, SERIES SMA	
FINISH		CHK. D.S. Heide 7/22/83		DRAWING NO. 228626-1	
APPROVED		APPRO. E.W. Jones 7/22/83		SCALE IITS	
DESIGN APPRO.		APPRO. T. Smith 7/23/83		SHEET	
OTHER APPRO.		SIZE B		FSCM NO. 00779	

X-ON Electronics

Largest Supplier of Electrical and Electronic Components

Click to view similar products for [RF Connectors](#) / [Coaxial Connectors](#) category:

Click to view products by [TE Connectivity](#) manufacturer:

Other Similar products are found below :

[R125315120](#) [8915-1511-000](#) [89674-0827](#) [5916-1103-603](#) [6-0001-3](#) [6001-7071-019](#) [6002-7051-003](#) [6002-7551-202](#) [6059674-1](#) [619550-1](#)
[630059-000](#) [M39012/25-0021](#) [M39012/79-3008](#) [M39030/3-01N](#) [M39030/3-03N](#) [M3933/25-36N](#) [6500-7071-046](#) [M83723/72W24576](#)
[M83723/72W2457N](#) [6769](#) [CX050L2AQ](#) [7002-1541-010](#) [7002-1572-002](#) [7003-1572-002](#) [7010-1511-000](#) [7029-1511-060](#) [7101-1541-010](#)
[7101-1571-002](#) [7105-1521-002](#) [7145-1521-002](#) [7209-1511-011](#) [7210-1511-015](#) [7210-1511-019](#) [7225-1512-050](#) [7242-1511-000](#) [73137-5015](#)
[73251-0111](#) [73251-0672](#) [7325-1512-000](#) [73276-1501](#) [73366-0013](#) [73404-2300](#) [73413-6080](#) [73415-5721](#) [7405-1521-005](#) [7405-1521-802](#)
[7406-1521-005](#) [804S01D04M040](#) [8145-1521-002](#) [81590](#)