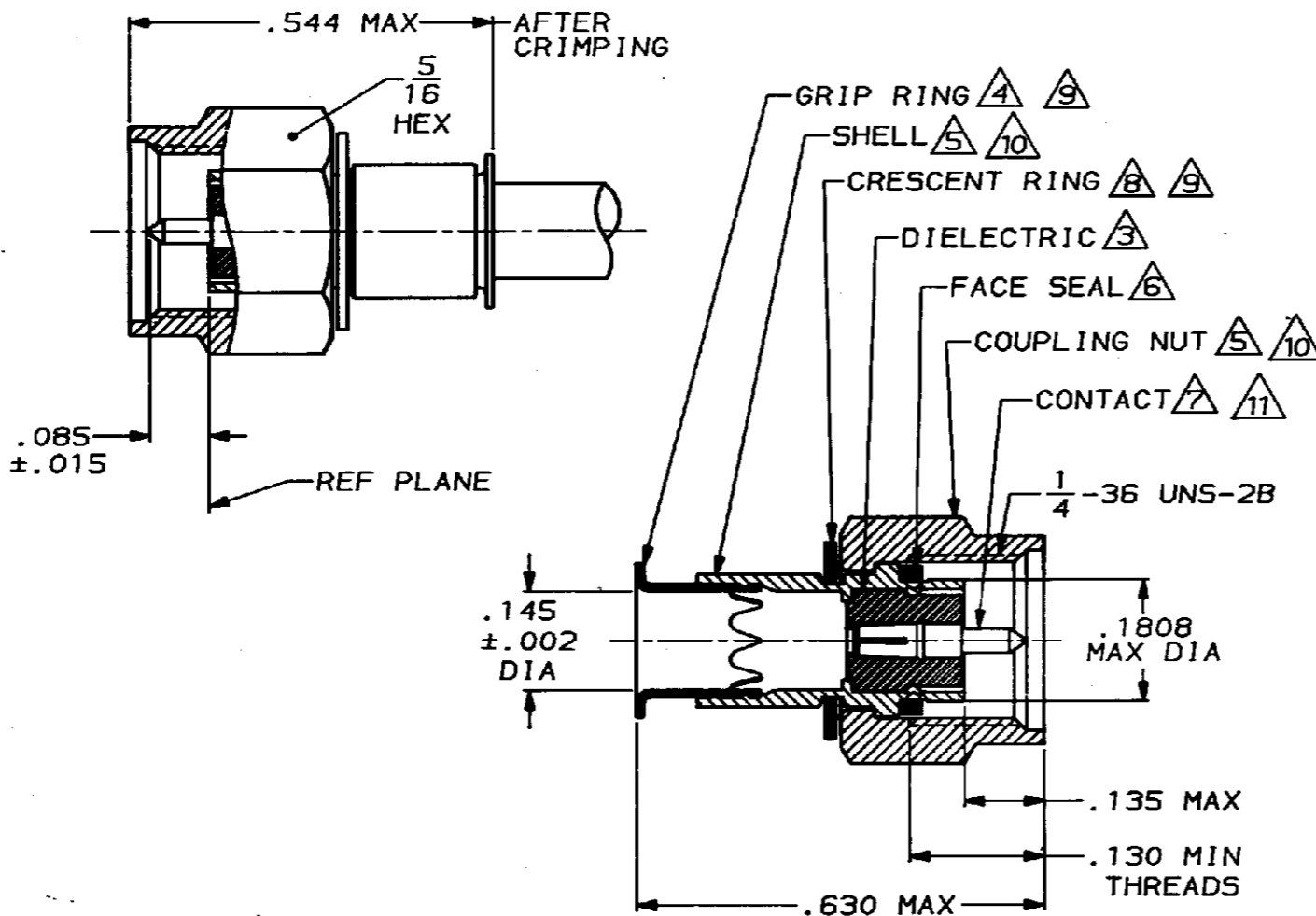


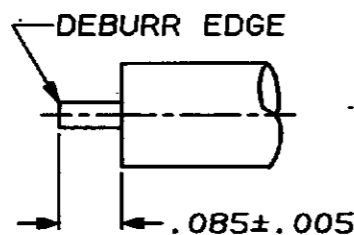
DRAWING MADE IN THIRD ANGLE PROJECTION

THIS DRAWING IS UNPUBLISHED. RELEASED FOR PUBLICATION ,19
 © COPYRIGHT 19 BY AMP INCORPORATED, HARRISBURG, PA. ALL INTERNATIONAL RIGHTS RESERVED. AMP PRODUCTS MAY BE COVERED BY U.S. AND FOREIGN PATENTS AND/OR PATENTS PENDING.

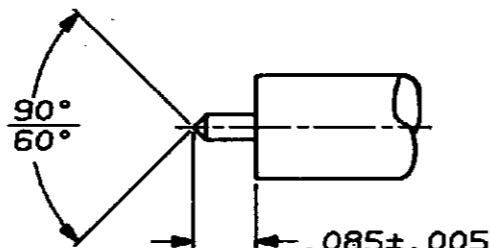
MOD	LOC	DIST	P	F	REVISIONS				
9	AJ	16			ZONE	LTR	DESCRIPTION	DATE	APPROVED
					B		REDWN & REV PER AJ-2377	7/16/87	KV/mS



- FOR USE WITH: RG-402/U, .141 SEMI RIGID CABLE
- SEE I.S. 6788
- PTFE PER MIL-P-19468
- BRASS PER MIL-C-50
- STAINLESS STEEL PER ASTM-A-582
- SILICONE RUBBER PER ZZ-R-765
- BERYLLIUM COPPER PER QQ-C-530
- BERYLLIUM COPPER, ALLOY #25
- NICKEL PL PER QQ-N-290
- PASSIVATED PER QQ-P-35
- GOLD PL PER MIL-G-45204
- 00779 M39012/79-3308
- .500 MIN LENGTH OF STRAIGHT CABLE REQUIRED TO APPLY THE CONNECTOR



OPTIONAL STRIP LENGTH



RECOMMENDED STRIP LENGTH

UNLESS OTHERWISE SPECIFIED DIMENSIONS ARE IN INCHES TOLERANCES ON:
 2 PL DEC ± _____
 3 PL DEC ± _____
 ANGLES ± _____

MATERIAL
 3 THRU 7

FINISH
 9 THRU 11

DR	<i>[Signature]</i>	7-16-87
CHK	<i>[Signature]</i>	7/16/87
APPD	<i>[Signature]</i>	7/16/87
APPD	<i>[Signature]</i>	7/16/87
PRODUCT SPEC	108-12055	
APPLICATION SPEC	_____	
WEIGHT	_____	

228634-1		
PART NO		
AMP INCORPORATED Harrisburg, Pa. 17105		
NAME PLUG, MIL-F, SERIES SMA		
SIZE B	FSCN NO 00779	DRAWING NO 228634-1
SCALE 5:1	SHEET 1 OF 1	

X-ON Electronics

Largest Supplier of Electrical and Electronic Components

Click to view similar products for [RF Connectors / Coaxial Connectors](#) category:

Click to view products by [TE Connectivity](#) manufacturer:

Other Similar products are found below :

[8915-1511-000](#) [89674-0827](#) [6001-7071-019](#) [6002-7051-003](#) [6002-7551-202](#) [6059674-1](#) [619550-1](#) [630059-000](#) [M39030/3-01N](#) [6500-7071-046](#) [6769](#) [CX050L2AQ](#) [7002-1541-010](#) [7002-1542-011](#) [7004-1512-000](#) [7009-1511-004](#) [7010-1511-000](#) [7029-1511-060](#) [7101-1541-010](#) [7101-1571-002](#) [7105-1521-002](#) [7145-1521-002](#) [7203-1571-003](#) [7209-1511-011](#) [7210-1511-015](#) [7210-1511-019](#) [73137-5015](#) [73216-2241](#) [73404-2300](#) [7405-1521-005](#) [7405-1521-802](#) [8527](#) [8547](#) [FS11V](#) [877931](#) [9049-9513-000](#) [9074-9513-000](#) [9101-9573-002](#) [910A205F](#) [9130-9573-002](#) [PL11SC-026](#) [PL375-33](#) [PL40-5](#) [PL74C-221](#) [PL75MC-217](#) [PL803-7](#) [1200690078](#) [1-201144-1](#) [R107003010W](#) [R110A172100](#)