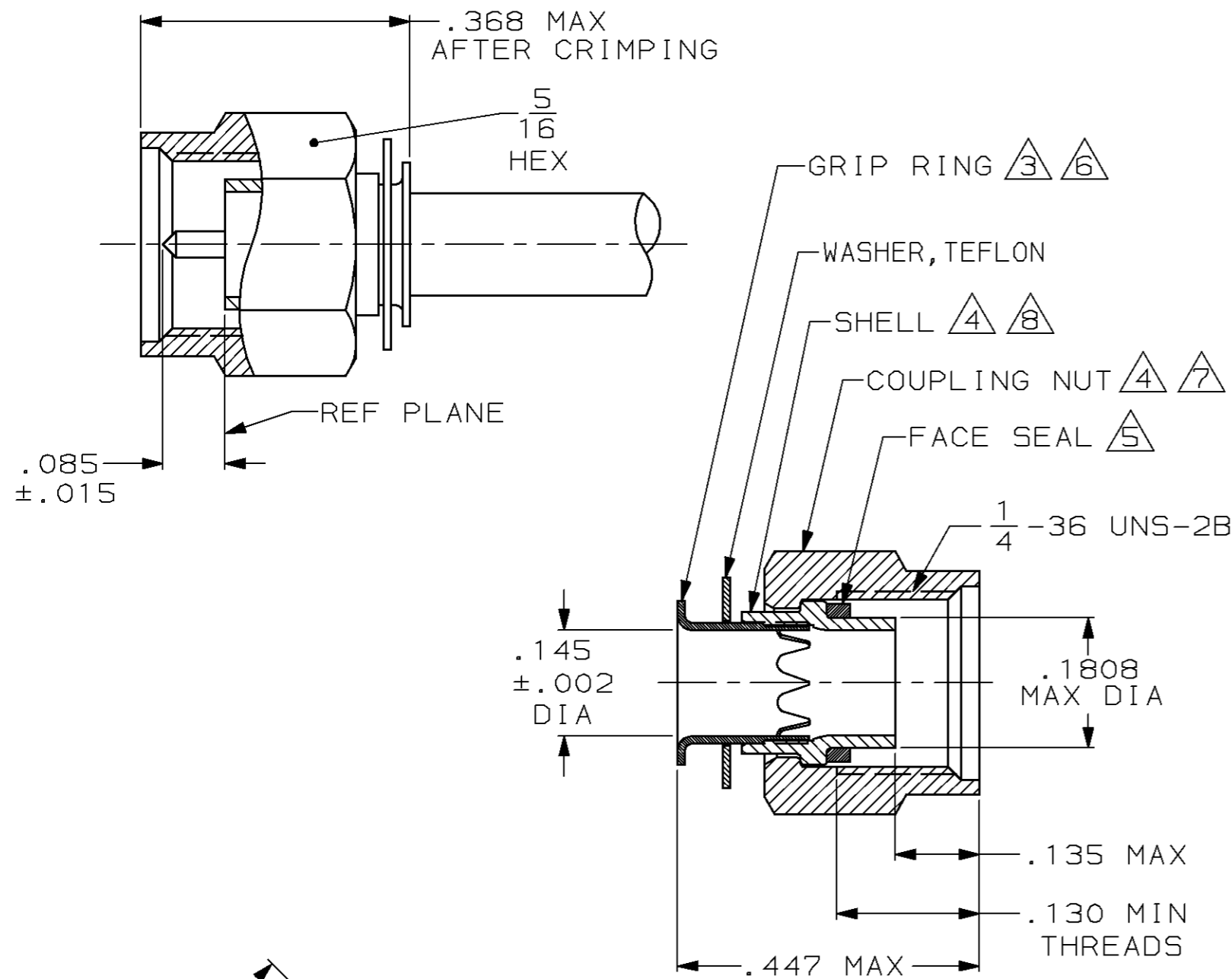
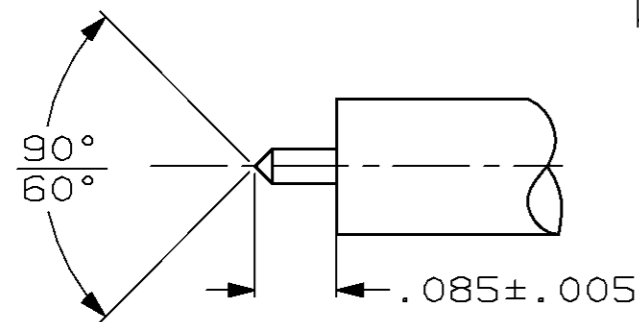


THIS DRAWING IS UNPUBLISHED. RELEASED FOR PUBLICATION, 19  
 © COPYRIGHT 19 BY AMP INCORPORATED, HARRISBURG, PA. ALL INTERNATIONAL RIGHTS RESERVED. AMP PRODUCTS MAY BE COVERED BY U.S. AND FOREIGN PATENTS AND/OR PATENTS PENDING.

LOC	DIST	P	F	REVISIONS				
				ZONE	LTR	DESCRIPTION	DATE	APPROVED
AJ	16				E	REV PER 0630-0431-98	28OCT98	MO



1. FOR USE WITH: RG-402/U, .141 SEMI RIGID CABLE
2. SEE I.S. 6788
- ③ BRASS PER ASTM-B-36
- ④ STAINLESS STEEL PER ASTM-A-582
- ⑤ SILICONE RUBBER PER ZZ-R-765
- ⑥ NICKEL PL PER QQ-N-290
- ⑦ PASSIVATION PER ASTM A967
8. 00779 M39012/92-3301
9. .500 MIN LENGTH OF STRAIGHT CABLE REQUIRED TO APPLY THE CONNECTOR



RECOMMENDED STRIP LENGTH

228635-1  
PART NO

UNLESS OTHERWISE SPECIFIED DIMENSIONS ARE IN INCHES TOLERANCES ON: 2 PL DEC ± _____ 3 PL DEC ± _____ ANGLES ± _____	DR 11-30-87 M.SNEED	AMP INCORPORATED Harrisburg, Pa. 17105
	CHK 1-4-88 D.HEIDE	
MATERIAL ③ THRU ⑥	APPD 1-4-88 D.HEIDE	NAME PLUG, RF, SERIES SMA
FINISH ⑦ ⑧	APPD 1-4-88 M.SNEED	SIZE <b>B</b>
	PRODUCT SPEC 108-12055	FSCM NO 00779
	APPLICATION SPEC	DRAWING NO 228635-1
	WEIGHT .063 OZ	SCALE 5:1
		SHEET 1 OF 1

## X-ON Electronics

Largest Supplier of Electrical and Electronic Components

*Click to view similar products for [RF Connectors / Coaxial Connectors](#) category:*

*Click to view products by [TE Connectivity](#) manufacturer:*

Other Similar products are found below :

[8915-1511-000](#) [89674-0827](#) [6001-7071-019](#) [6002-7051-003](#) [6002-7551-202](#) [6059674-1](#) [619550-1](#) [630059-000](#) [M39030/3-01N](#) [6500-7071-046](#) [6769](#) [CX050L2AQ](#) [7002-1541-010](#) [7002-1542-011](#) [7004-1512-000](#) [7009-1511-004](#) [7010-1511-000](#) [7029-1511-060](#) [7101-1541-010](#) [7101-1571-002](#) [7105-1521-002](#) [7145-1521-002](#) [7203-1571-003](#) [7209-1511-011](#) [7210-1511-015](#) [7210-1511-019](#) [73137-5015](#) [73216-2241](#) [73404-2300](#) [7405-1521-005](#) [7405-1521-802](#) [8527](#) [8547](#) [FS11V](#) [877931](#) [9049-9513-000](#) [9074-9513-000](#) [9101-9573-002](#) [910A205F](#) [9130-9573-002](#) [PL11SC-026](#) [PL375-33](#) [PL40-5](#) [PL74C-221](#) [PL75MC-217](#) [PL803-7](#) [1200690078](#) [1-201144-1](#) [R107003010W](#) [R110A172100](#)