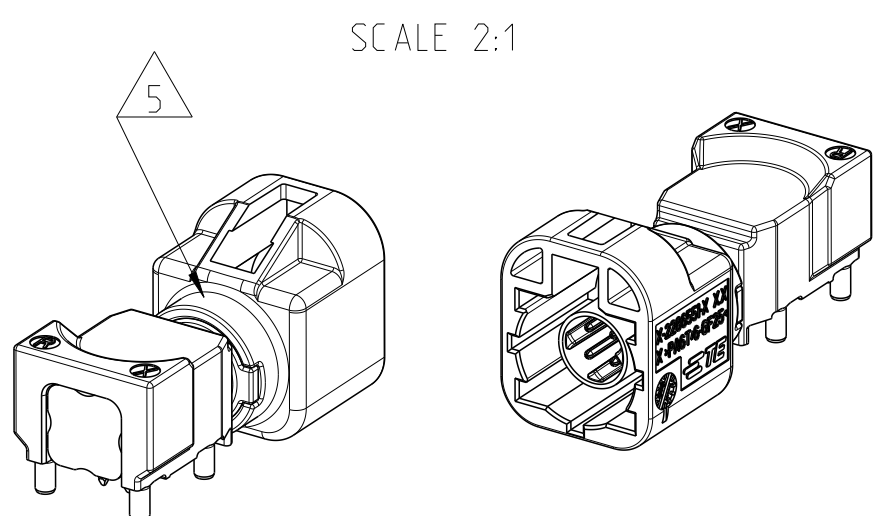
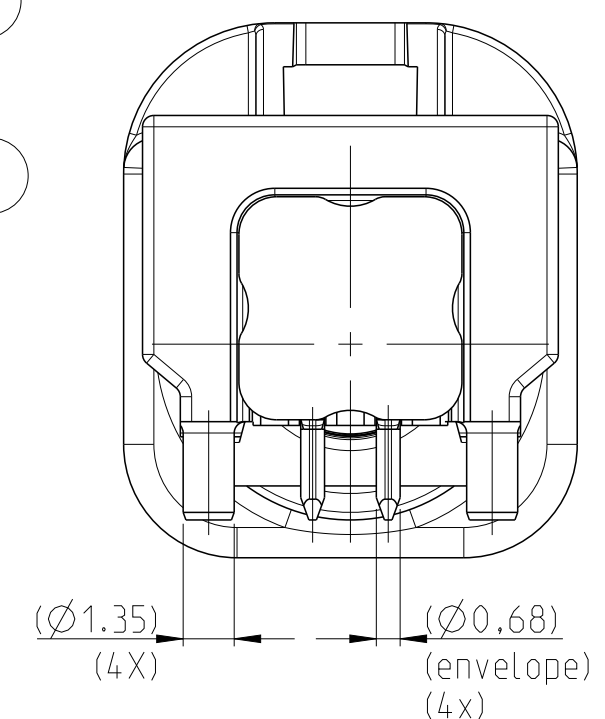
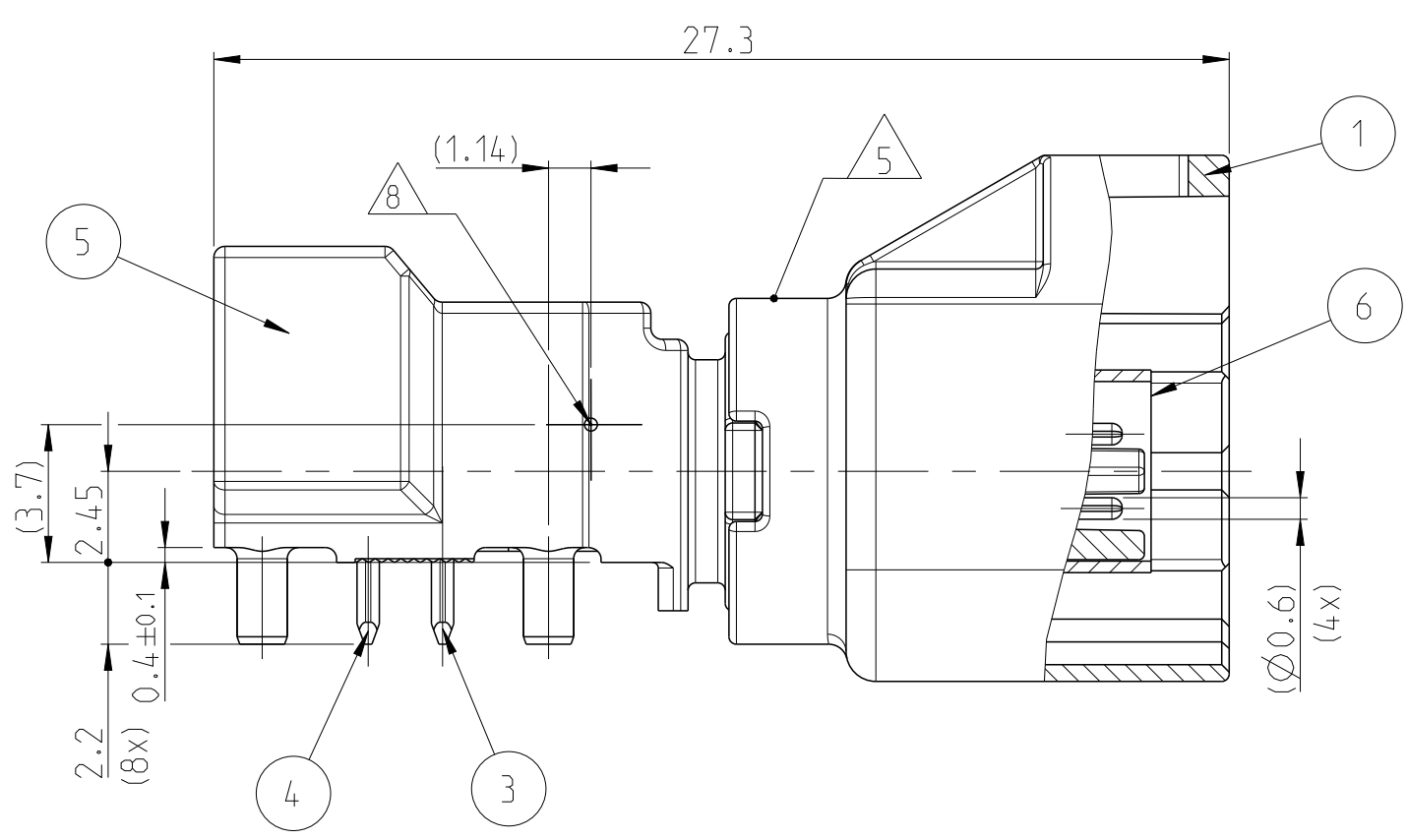
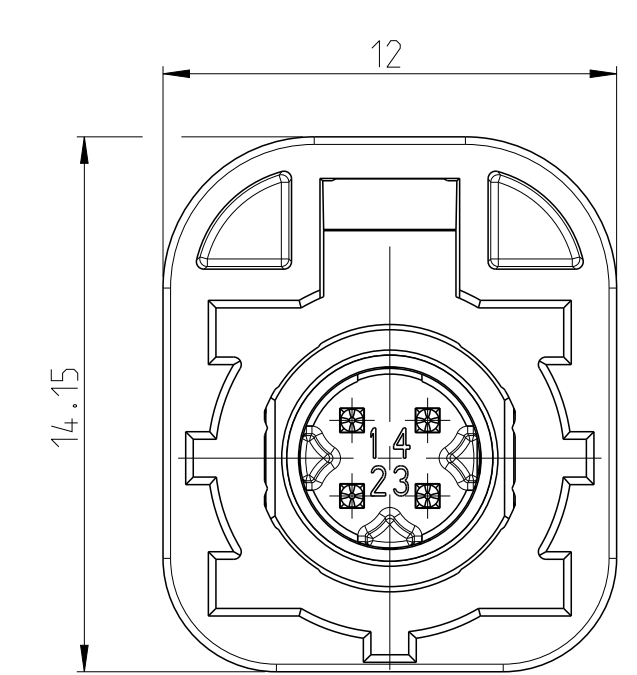
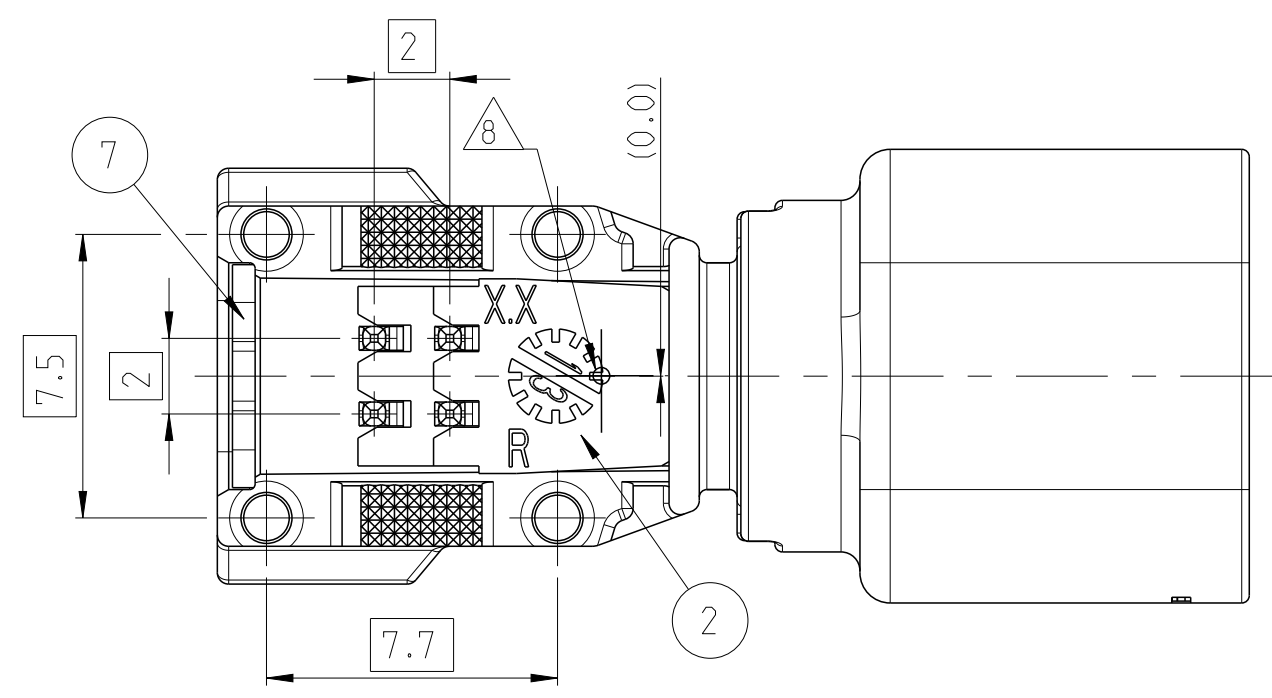


CODINGS 2:1

| | | | | | | |
|----------------|----------------|----------------|----------------|--------|--------|--------|
| | | | | | | |
| CODE A | CODE B | CODE C | CODE D | CODE E | CODE F | CODE Z |
| | | | | | | |
| CODE G | CODE H | CODE J | CODE K | CODE L | CODE M | CODE O |
| | | | | | | |
| CODE A Reverse | CODE B Reverse | CODE C Reverse | CODE D Reverse | | | |



| REVISONS | | DATE | OWN | APVD |
|----------|-----|-------------|-----------|-------|
| P | LTN | DESCRIPTION | | |
| A7 | | E-15-000302 | 16JUL2015 | AL MR |
| C | | E-16-011578 | 11AUG2016 | AW MR |
| C1 | | E-16-004349 | 22MAR2018 | AW MR |
| C2 | | E-19-013508 | 26AUG2019 | YC MR |

- NOTES
Bemerkung
- ONLY THE GERMAN LANGUAGE SHALL BE BINDING
Massgebend ist der deutsche Text
 - DETAILS OF DESIGN ARE LEFT TO TE CONNECTIVITY
Einzelheiten der Ausführung bleiben TE CONNECTIVITY ueberlassen
 - HSD INTERFACE ACC. TO TE SPEC. 114-18950
HSD Schnittstelle nach TE-Spez. 114-18950
 - PACKAGING TAPE AND REEL
Verpackung Blistergurt
 - MARKING OF 100% TEST PASSED
Gutteilmarkierung nach bestandener 100% Pruefung
 - FOR FITTING HSD CONNECTOR PLEASE CONTACT TE CONNECTIVITY.
Fuer passenden HSD Gegenstecker bitte TE Connectivity kontaktieren.
 - ALL DIMENSIONS IN BRACKETS () FOR INFORMATION ONLY
Alle Masse in Klammern () nur zur Information
 - CENTER OF GRAVITY
Schwerpunkt
 - PCB LAYOUT ACCORDING TO TE SPEC. 114-94381
Platinenlayout nach TE-Spez. 114-94381
- WEIGHT [g]: 6.7
Gewicht [g]: 6.7
- AS SHOWN /
wie gezeigt Codierung Z

| QTY | DESCRIPTION | MATERIAL | FINISH COLOUR, SIMILAR RAL | ITEM NO |
|-----|--|-----------------------------|---|---------|
| 1 | SHIELDING CAP Schirmkappe | CuZn37 | TIN PLATING Verzinnung | 7 |
| 1 | SHIELDING TUBE Schirmrohr | Cu-DHP | INTERFACE SIDE: NICKEL PLATING MIN. 3-6 µm Steckseite: Vernickelung min. 3-6 µm | 6 |
| 1 | SHIELDING BODY Schirmgehäuse | ZnAl4Cu1 | SOLDER SIDE: TIN PLATING Lotseite: Verzinnung | 5 |
| 2 | CONTACT PIN (LONG) Kontaktpin (lang) | CuSn4 | SOLDER SIDE: TIN PLATING MIN 3µm Lotseite: Verzinnung min. 3µm INTERFACE SIDE: GOLD PLATING Steckseite: Vergoldung | 4 |
| 2 | CONTACT PIN (SHORT) Kontaktpin (kurz) | | | 3 |
| 1 | CAVITY BLOCK Kontakttraeger | PA4T-GF30 or alternative | BLACK | 2 |
| 1 | CAVITY BLOCK REVERSE Kontakttraeger | PA4T-GF30 or alternative | BLACK | 2 |
| 1 | CODING COVER Kodierkappe | PA6T/6-GF25 | CLARET VIOLET. 4004 | 1 |
| 1 | | | SIGNAL BLUE. 5005 | |
| 1 | | | CREAM WHITE. 9001 | |
| 1 | | | JET BLACK. 9005 | |
| 1 | | | LIGHT GREEN. 6027 | |
| 1 | | | PASTEL ORANGE. 2003 | |
| 1 | | | YELLOW GREEN. 6018 | |
| 1 | | | CURRY. 1027 | |
| 1 | | | BEIGE. 1001 | |
| 1 | | | HEATHER VIOLET. 4003 | |
| 1 | | | BLuish GREY. 7031 | |
| 1 | | | WATER BLUE. 5021 | |
| 1 | | | NUT BROWN. 8011 | |
| 1 | | | LEAF GREEN. 6002 | |
| 1 | | | CLARET VIOLET. 4004 | |
| 1 | | | SIGNAL BLUE. 5005 | |
| 1 | CREAM WHITE. 9001 | | | |
| 1 | JET BLACK. 9005 | | | |

THIS DRAWING IS A CONTROLLED DOCUMENT.

| | | | | |
|----------------|--|---------------------------|-------------------------------|--------------------------------|
| DIMENSIONS: mm | TOLERANCES UNLESS OTHERWISE SPECIFIED: | OWN: A. Weiss 15 JUL 2014 | CHK: M. Reinhardt 15 JUL 2014 | APVD: M. Reinhardt 15 JUL 2014 |
| 0 PLC ± 0.3 | 1 PLC ± 0.3 | 2 PLC ± 0.3 | 3 PLC ± 0.3 | 4 PLC ± 0.3 |
| ANGLES | ± 0.1 | FINISH | | |

MATERIAL: - FINISH: - WEIGHT: -

Customer Drawing

ASSY NO. X-2286546-Y

ASSY CODE

REVISION

Customer Drawing

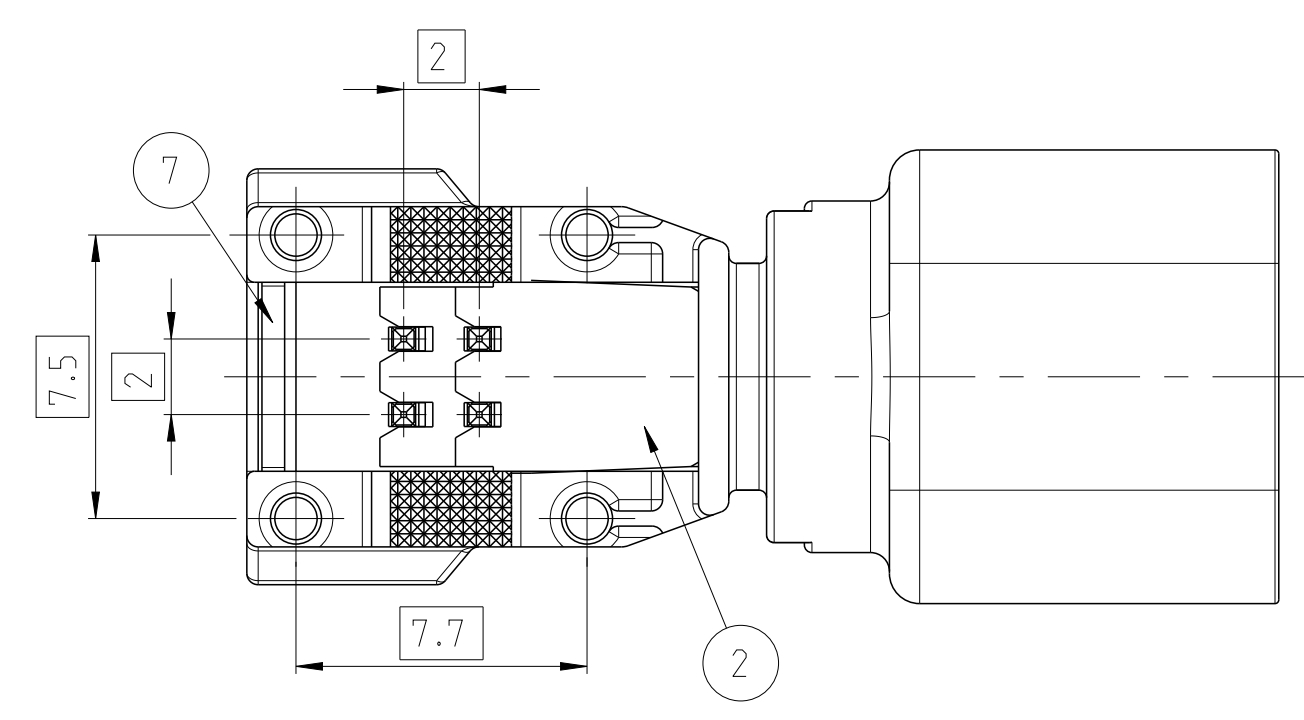
SCALE 5:1 SHEET 1 OF 2 REV C2

4805 (3/11)

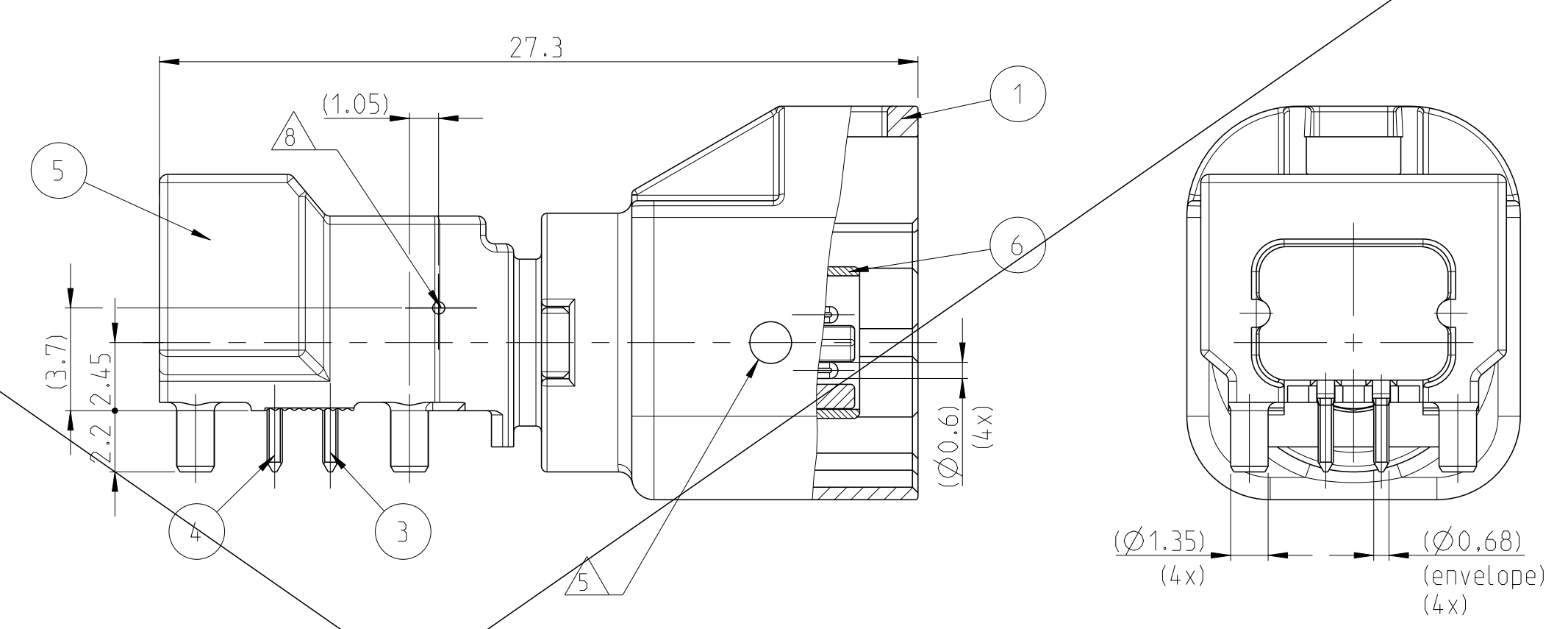
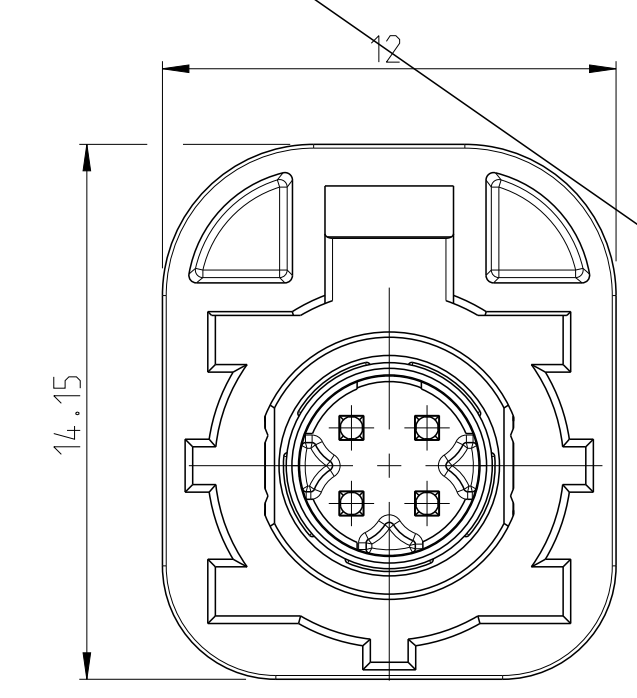
| LOC | DIST | REVISIONS | | | | | |
|-----|------|-----------|-----|-------------|------|-----|------|
| | | P | LTN | DESCRIPTION | DATE | DNW | APVD |
| - | - | - | - | SEE SHEET 1 | - | - | - |

CODINGS 2:1

| | | | | | | |
|--------|--------|--------|--------|--------|--------|--------|
| | | | | | | |
| CODE A | CODE B | CODE C | CODE D | CODE E | CODE F | CODE Z |
| | | | | | | |
| CODE G | CODE H | CODE J | CODE K | CODE L | CODE M | CODE O |



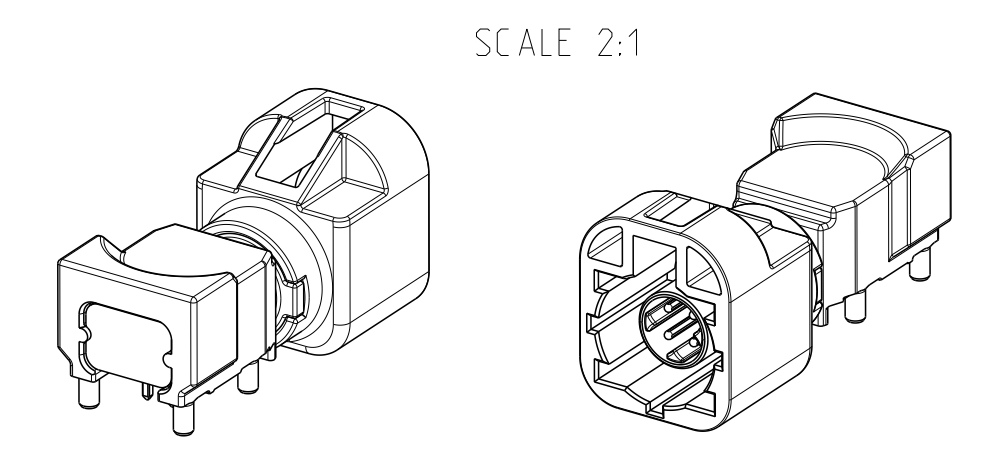
- NOTES
Bemerkung
- ONLY THE GERMAN LANGUAGE SHALL BE BINDING
Massgebend ist der deutsche Text
 - DETAILS OF DESIGN ARE LEFT TO TE CONNECTIVITY
Einzelheiten der Ausführung bleiben TE CONNECTIVITY ueberlassen
 - HSD INTERFACE ACC. TO TE SPEC. 114-18950
HSD Schnittstelle nach TE-Spez. 114-18950
 - PACKAGING TAPE AND REEL
Verpackung Blistergurt
 - MARKING OF 100% TEST PASSED
Gutteilmarkierung nach bestandener 100% Pruefung
 - FOR FITTING HSD CONNECTOR PLEASE CONTACT TE CONNECTIVITY.
Fuer passenden gegenstecker bitte TE Connectivity kontaktieren
 - ALL DIMENSIONS IN BRACKETS () FOR INFORMATION ONLY
Alle Masse in Klammern () nur zur Information
 - CENTER OF GRAVITY
Schwerpunkt
 - PCB LAYOUT ACCORDING TO TE SPEC. 114-94319
Platinenlayout nach TE-Spez. 114-94319
- WEIGHT [g]: 7.0
Gewicht [g]: 7.0
- AS SHOWN / wie gezeigt Codierung Z



OBSOLETE

B-SAMPLES

| QTY | CODE | DESCRIPTION | MATERIAL | FINISH COLOUR, SIMILAR RAL | ITEM NO |
|-----|------|---------------------------------------|--------------------|---|---------|
| 1 | | SHIELDING CAP Schirmkappe | CuZn37 | TIN PLATING Verzinnung | 7 |
| 1 | | SHIELDING TUBE Schirmrohr | CuSn4 | INTERFACE SIDE: NICKEL PLATING MIN. 3-6µm Steckseite: Vernickelung min. 3-6µm | 6 |
| 1 | | SHIELDING BODY Schirmgehaeuse | ZnAl4Cu1 | SOLDER SIDE: TIN PLATING Lotseite: Verzinnung | 5 |
| 2 | | CONTACT PIN (LONG) Kontaktpin (lang) | CuSn4 | SOLDER SIDE: TIN PLATING MIN 3µm Lotseite: Verzinnung min. 3µm INTERFACE SIDE: GOLD PLATING Steckseite: Vergoldung | 4 |
| 2 | | CONTACT PIN (SHORT) Kontaktpin (kurz) | | | 3 |
| 1 | | CAVITY BLOCK Kontaktraeger | LCP or alternative | BLACK | 2 |
| | | | | LIGHT GREEN. 6027 | 1 |
| | | | | PASTEL ORANGE. 2003 | |
| | | | | YELLOW GREEN. 6018 | |
| | | | | CURRY. 1027 | |
| | | | | BEIGE. 1001 | |
| | | | | HEATHER VIOLET. 4003 | |
| | | | | BLUISH GREY. 7031 | |
| | | | | WATER BLUE. 5021 | |
| | | | | NUT BROWN. 8011 | |
| | | | | LEAF GREEN. 6002 | |
| | | | | CLARET VIOLET. 4004 | |
| | | | | SIGNAL BLUE. 5005 | |
| | | | | CREAM WHITE. 9001 | |
| | | | | JET BLACK. 9005 | |



| QUANTITY | | | | | | | | | | | | | CODE | DESCRIPTION | MATERIAL | FINISH COLOUR, SIMILAR RAL | ITEM NO | | |
|----------|--|--|--|--|--|--|--|--|--|--|--|--|------|-------------|----------|----------------------------|---------|--|--|
| 1 | | | | | | | | | | | | | 1 | O | | | | | |
| | | | | | | | | | | | | | 1 | M | | | | | |
| | | | | | | | | | | | | | | L | | | | | |
| | | | | | | | | | | | | | | K | | | | | |
| | | | | | | | | | | | | | | J | | | | | |
| | | | | | | | | | | | | | | H | | | | | |
| | | | | | | | | | | | | | | G | | | | | |
| | | | | | | | | | | | | | | Z | | | | | |
| | | | | | | | | | | | | | | F | | | | | |
| | | | | | | | | | | | | | | E | | | | | |
| | | | | | | | | | | | | | | D | | | | | |
| | | | | | | | | | | | | | | C | | | | | |
| | | | | | | | | | | | | | | B | | | | | |
| | | | | | | | | | | | | | | A | | | | | |

THIS DRAWING IS A CONTROLLED DOCUMENT.

DNW: A. Weiss 15 JUL 2014
 CHK: M. Reinhardt 15 JUL 2014
 APVD: M. Reinhardt 15 JUL 2014

TE Connectivity

HSD Header 90deg
 HSD Header 90deg

SIZE: A1 CAGE CODE: 00779 DRAWING NO: 2286546
 WEIGHT: -

Customer Drawing SCALE: 5:1 SHEET: 2 OF 2 REV: C2

X-ON Electronics

Largest Supplier of Electrical and Electronic Components

Click to view similar products for [Headers & Wire Housings](#) category:

Click to view products by [TE Connectivity](#) manufacturer:

Other Similar products are found below :

[892-18-020-10-001101](#) [58102-G61-06LF](#) [582553-1](#) [0009485154](#) [009176003701906](#) [0050291907](#) [LY20-4P-DT1-P1E-BR](#) [02.125.8002.8](#)
[609-3404](#) [61062-3](#) [61082-181009](#) [622-3653LF](#) [63453-116](#) [636-1030](#) [636-1427](#) [636-3427](#) [636-4007](#) [641938-9](#) [641991-4](#) [644827-2](#) [65817-010LF](#) [65817-015LF](#) [65863-015LF](#) [66207-023LF](#) [67095-007LF](#) [67601157](#) [68645-018](#) [68648-049](#) [70.362.1628.0](#) [70-4210](#) [70-4226B](#) [70-4853B](#) [707-5020](#) [707-5028](#) [71.350.2428.0](#) [71918-208LF](#) [71961-016LF](#) [733-134](#) [733-162](#) [754199-000](#) [760-3052](#) [787-8014-00](#) [79531-3000](#)
[FCN-360C032-B](#) [FCN-367T-T012/H](#) [FCN-723D010/2](#) [80.063.4001.1](#) [800-90-001-10-001000](#) [800-90-010-10-002000](#) [801-43-002-10-013000](#)