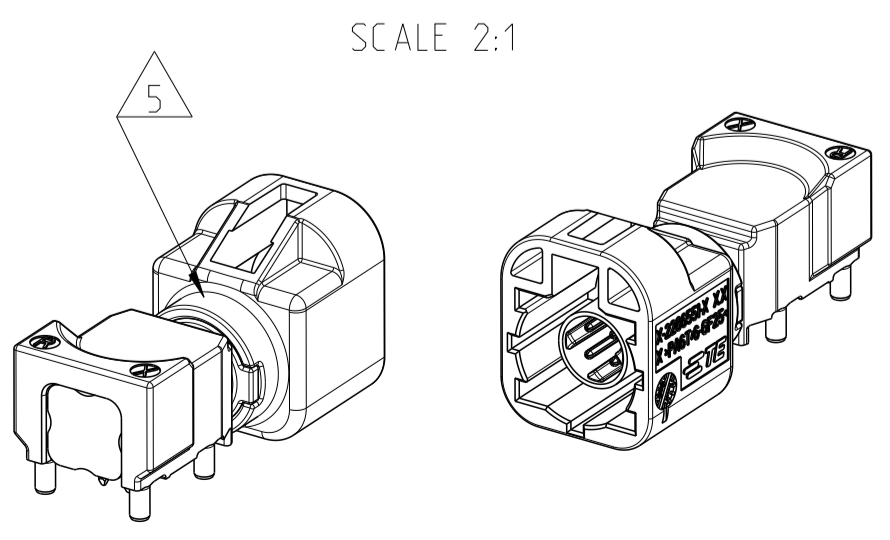
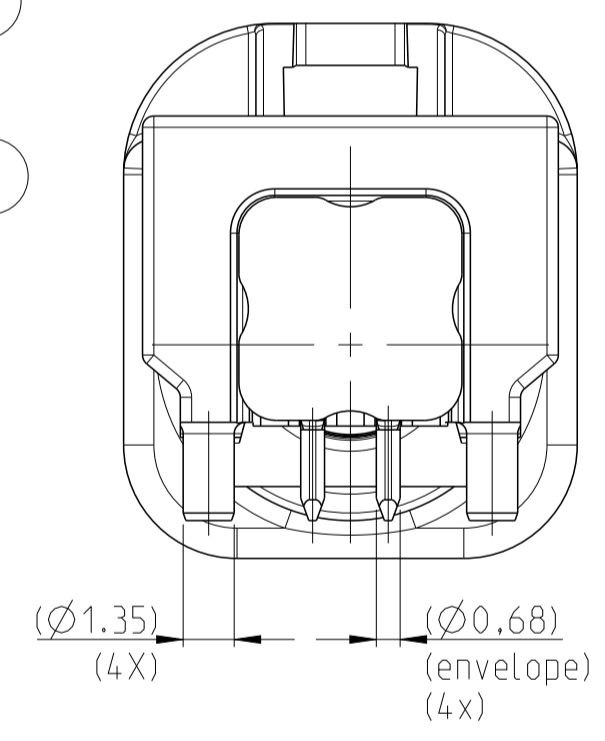
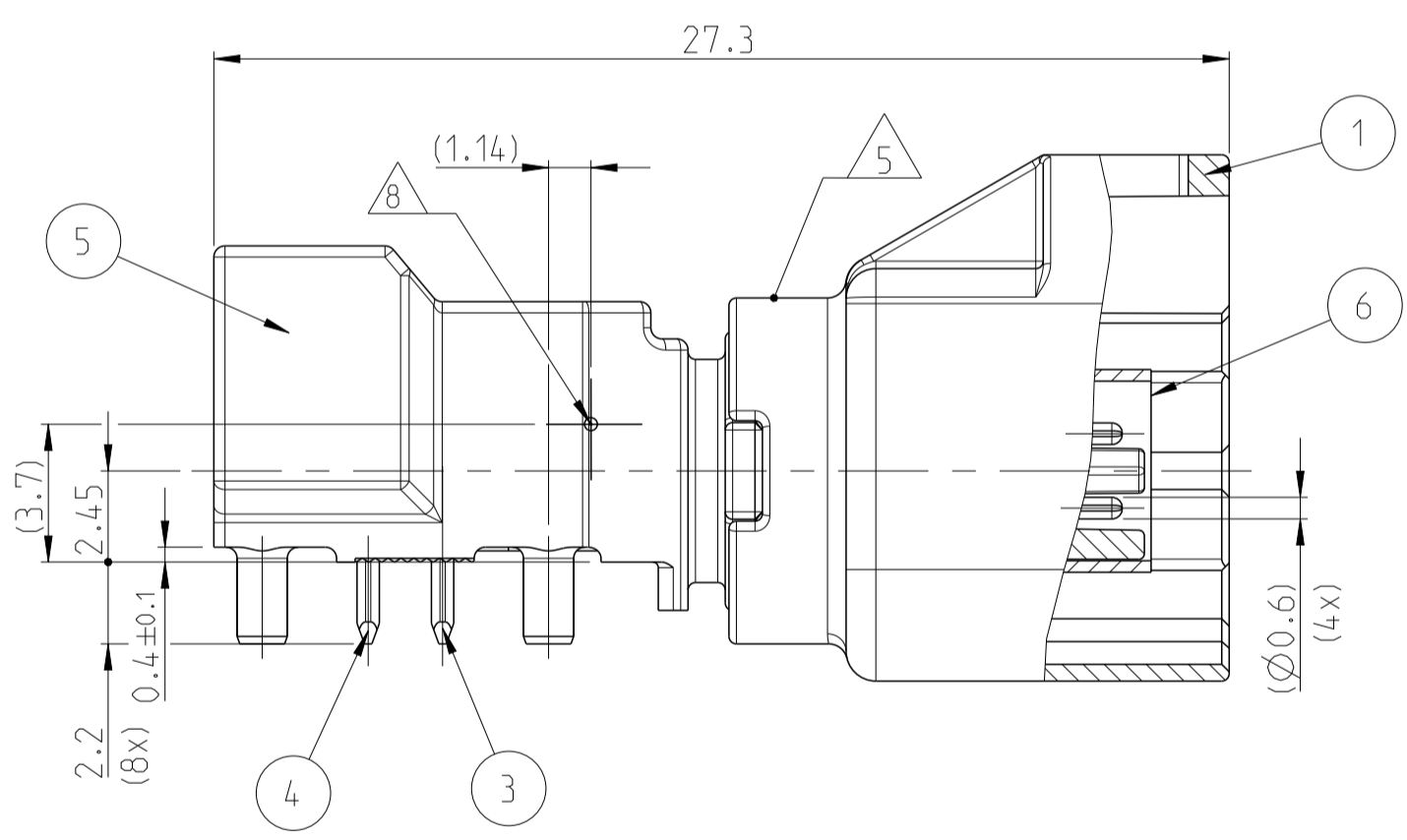
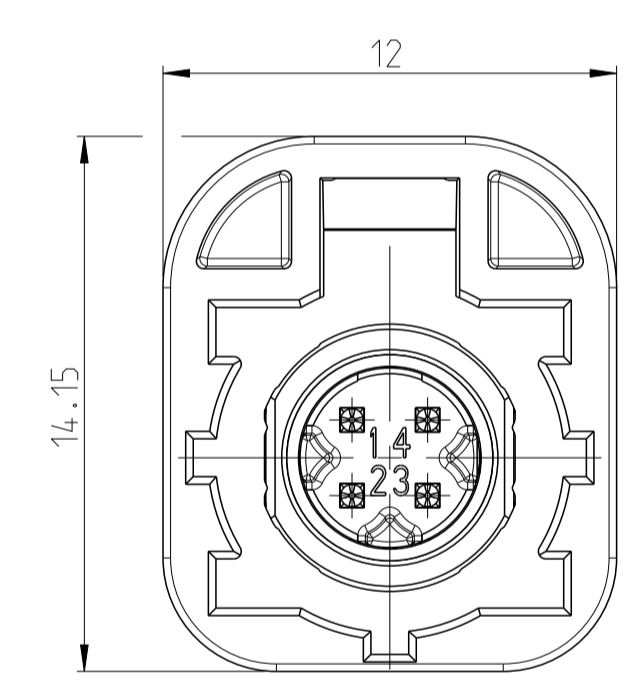
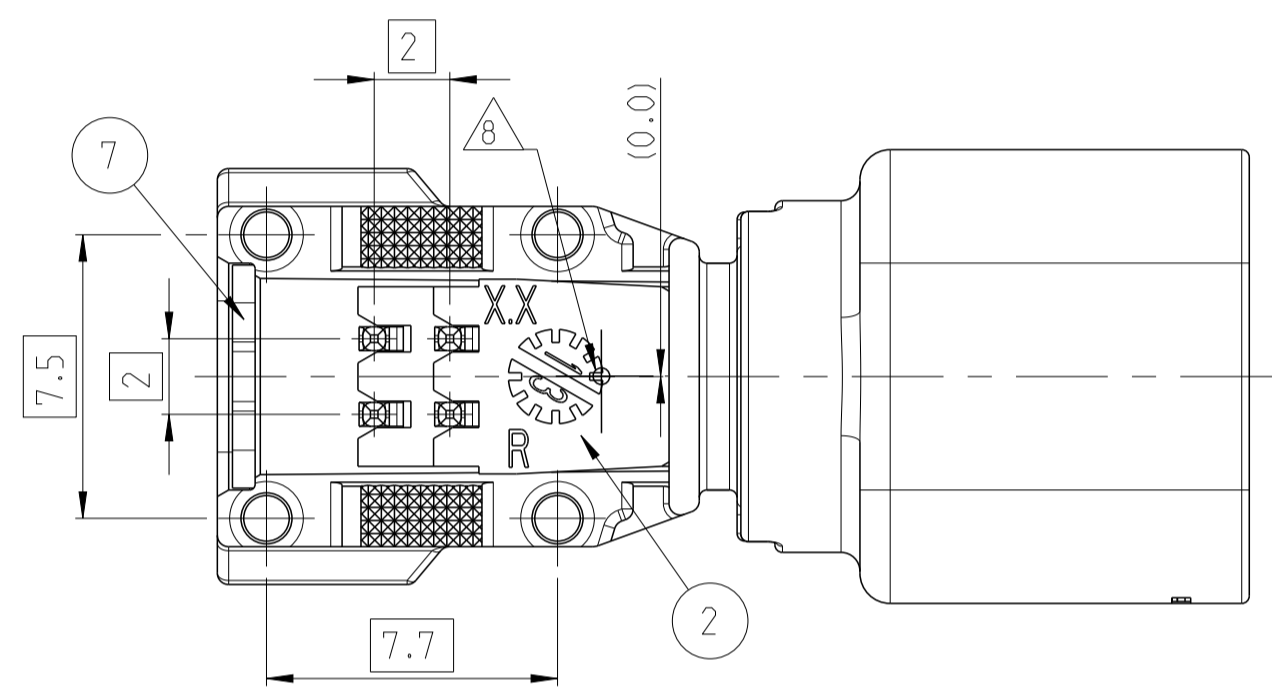


CODINGS 2:1

CODE A	CODE B	CODE C	CODE D	CODE E	CODE F	CODE Z
CODE G	CODE H	CODE J	CODE K	CODE L	CODE M	CODE O
CODE A Reverse	CODE B Reverse	CODE C Reverse	CODE D Reverse			



REVISONS		DATE	OWN	APVD
P	LTN	DESCRIPTION		
A7		E-15-000302	16JUL2015	AL MR
C		E-16-011578	11AUG2016	AW MR
C1		E-16-004349	22MAR2018	AW MR
C2		E-19-013508	26AUG2019	YC MR

- NOTES
Bemerkung
- ONLY THE GERMAN LANGUAGE SHALL BE BINDING
Massgebend ist der deutsche Text
 - DETAILS OF DESIGN ARE LEFT TO TE CONNECTIVITY
Einzelheiten der Ausführung bleiben TE CONNECTIVITY ueberlassen
 - HSD INTERFACE ACC. TO TE SPEC. 114-18950
HSD Schnittstelle nach TE-Spez. 114-18950
 - PACKAGING TAPE AND REEL
Verpackung Blistergurt
 - MARKING OF 100% TEST PASSED
Gutteilmarkierung nach bestandener 100% Pruefung
 - FOR FITTING HSD CONNECTOR PLEASE CONTACT TE CONNECTIVITY.
Fuer passenden HSD Gegenstecker bitte TE Connectivity kontaktieren.
 - ALL DIMENSIONS IN BRACKETS () FOR INFORMATION ONLY
Alle Masse in Klammern () nur zur Information
 - CENTER OF GRAVITY
Schwerpunkt
 - PCB LAYOUT ACCORDING TO TE SPEC. 114-94381
Platinenlayout nach TE-Spez. 114-94381
- WEIGHT [g]: 6.7
Gewicht [g]: 6.7
- AS SHOWN /
wie gezeigt Codierung Z

QTY	DESCRIPTION	MATERIAL	FINISH COLOUR, SIMILAR RAL	ITEM NO
1	SHIELDING CAP Schirmkappe	CuZn37	TIN PLATING Verzinnung	7
1	SHIELDING TUBE Schirmrohr	Cu-DHP	INTERFACE SIDE: NICKEL PLATING MIN. 3-6 µm Steckseite: Vernickelung min. 3-6 µm	6
1	SHIELDING BODY Schirmgehäuse	ZnAl4Cu1	SOLDER SIDE: TIN PLATING Lotseite: Verzinnung	5
2	CONTACT PIN (LONG) Kontaktpin (lang)	CuSn4	SOLDER SIDE: TIN PLATING MIN 3µm Lotseite: Verzinnung min. 3µm INTERFACE SIDE: GOLD PLATING Steckseite: Vergoldung	4
2	CONTACT PIN (SHORT) Kontaktpin (kurz)			3
1	CAVITY BLOCK Kontakttraeger	PA4T-GF30 or alternative	BLACK	2
1	CAVITY BLOCK REVERSE Kontakttraeger	PA4T-GF30 or alternative	BLACK	2
1	CODING COVER Kodierkappe	PA6T/6-GF25	CLARET VIOLET. 4004	1
1			SIGNAL BLUE. 5005	
1			CREAM WHITE. 9001	
1			JET BLACK. 9005	
1			LIGHT GREEN. 6027	
1			PASTEL ORANGE. 2003	
1			YELLOW GREEN. 6018	
1			CURRY. 1027	
1			BEIGE. 1001	
1			HEATHER VIOLET. 4003	
1			BLuish GREY. 7031	
1			WATER BLUE. 5021	
1			NUT BROWN. 8011	
1			LEAF GREEN. 6002	
1			CLARET VIOLET. 4004	
1			SIGNAL BLUE. 5005	
1	CREAM WHITE. 9001			
1	JET BLACK. 9005			

THIS DRAWING IS A CONTROLLED DOCUMENT.

DIMENSIONS: mm

TOLERANCES UNLESS OTHERWISE SPECIFIED:

0 PLC	± 0.3
1 PLC	± 0.3
2 PLC	± 0.3
3 PLC	± 0.3
4 PLC	± 0.3
ANGLES	± 0.5

MATERIAL: - FINISH: -

Customer Drawing

OWN: A. Weiss 15 JUL 2014
 CHK: M. Reinhardt 15 JUL 2014
 APVD: M. Reinhardt 15 JUL 2014

PRODUCT SPEC: 108-94479
 APPLICATION SPEC: 114-94381

WEIGHT: -

Customer Drawing

SCALE 5:1 SHEET 1 OF 2 REV C2

ASSY NO. X-2286546-Y

ASSY CODE

REVISION

TE Connectivity

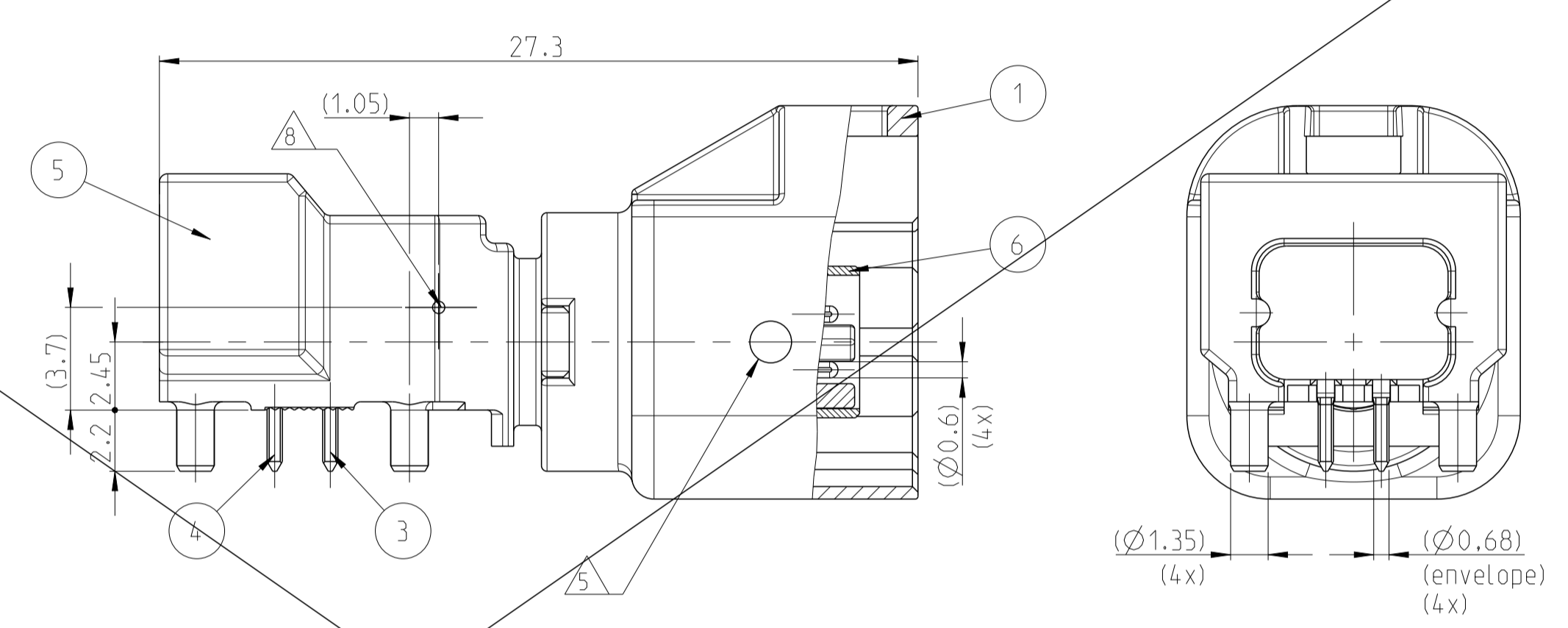
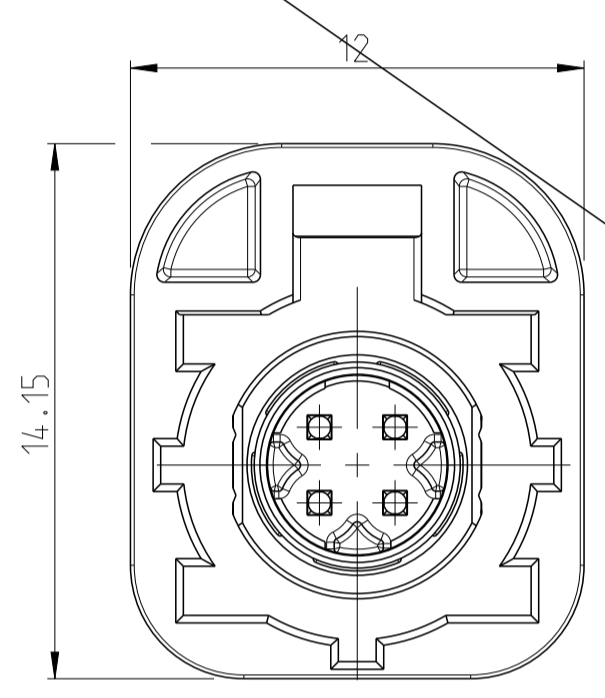
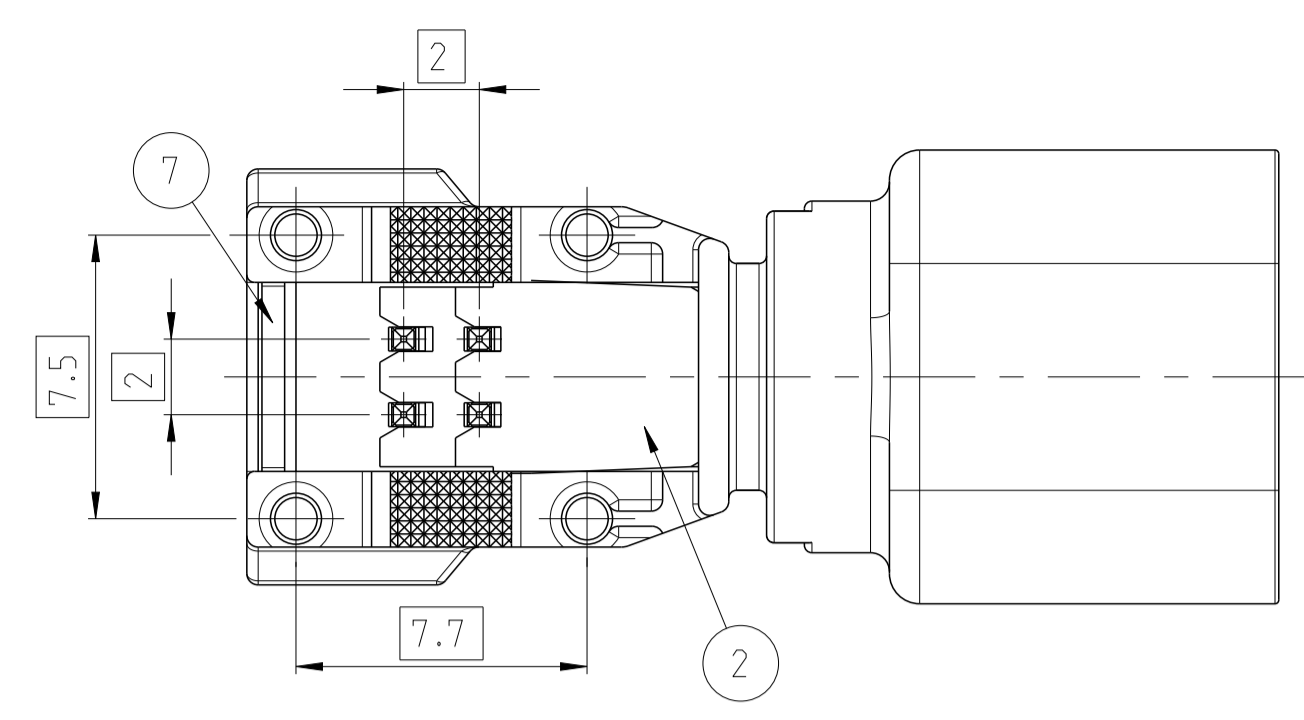
HSD Header 90deg
HSD Header 90deg

SIZE: A1 CAGE CODE: 00779 DRAWING NO: 2286546

LOC	DIST	REV	DATE	BY	APPV
-	-	1	-	-	-

CODINGS 2:1

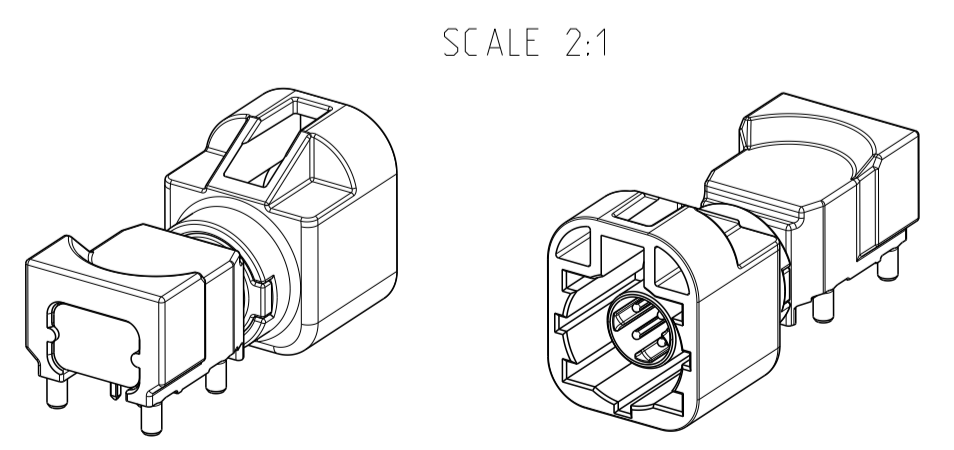
CODE A	CODE B	CODE C	CODE D	CODE E	CODE F	CODE Z
CODE G	CODE H	CODE J	CODE K	CODE L	CODE M	CODE O



- NOTES
Bemerkung
- ONLY THE GERMAN LANGUAGE SHALL BE BINDING
Massgebend ist der deutsche Text
 - DETAILS OF DESIGN ARE LEFT TO TE CONNECTIVITY
Einzelheiten der Ausführung bleiben TE CONNECTIVITY ueberlassen
 - HSD INTERFACE ACC. TO TE SPEC. 114-18950
HSD Schnittstelle nach TE-Spez. 114-18950
 - PACKAGING TAPE AND REEL
Verpackung Blistergurt
 - MARKING OF 100% TEST PASSED
Gutteilmarkierung nach bestandener 100% Pruefung
 - FOR FITTING HSD CONNECTOR PLEASE CONTACT TE CONNECTIVITY.
Fuer passenden gegenstecker bitte TE Connectivity kontaktieren
 - ALL DIMENSIONS IN BRACKETS () FOR INFORMATION ONLY
Alle Masse in Klammern () nur zur Information
 - CENTER OF GRAVITY
Schwerpunkt
 - PCB LAYOUT ACCORDING TO TE SPEC. 114-94319
Platinenlayout nach TE-Spez. 114-94319
- WEIGHT [g]: 7.0
Gewicht [g]: 7.0
- AS SHOWN / wie gezeigt Codierung Z

OBSOLETE

B-SAMPLES



QTY	CODE	DESCRIPTION	MATERIAL	FINISH COLOUR, SIMILAR RAL	ITEM NO										
1		SHIELDING CAP Schirmkappe	CuZn37	TIN PLATING Verzinnung	7										
1		SHIELDING TUBE Schirmrohr	CuSn4	INTERFACE SIDE: NICKEL PLATING MIN. 3-6µm Steckseite: Vernickelung min. 3-6µm	6										
1		SHIELDING BODY Schirmgehaeuse	ZnAl4Cu1	SOLDER SIDE: TIN PLATING Lotseite: Verzinnung	5										
2		CONTACT PIN (LONG) Kontaktpin (lang)	CuSn4	SOLDER SIDE: TIN PLATING MIN 3µm Lotseite: Verzinnung min. 3µm INTERFACE SIDE: GOLD PLATING Steckseite: Vergoldung	4										
2		CONTACT PIN (SHORT) Kontaktpin (kurz)			3										
1		CAVITY BLOCK Kontaktraeger	LCP or alternative	BLACK	2										
				LIGHT GREEN. 6027	1										
				PASTEL ORANGE. 2003											
				YELLOW GREEN. 6018											
				CURRY. 1027											
				BEIGE. 1001											
				HEATHER VIOLET. 4003											
				BLUIISH GREY. 7031											
				WATER BLUE. 5021											
				NUT BROWN. 8011											
				LEAF GREEN. 6002											
				CLARET VIOLET. 4004											
				SIGNAL BLUE. 5005											
				CREAM WHITE. 9001											
				JET BLACK. 9005											
QUANTITY		CODE	DESCRIPTION	MATERIAL	FINISH COLOUR, SIMILAR RAL	ITEM NO									
8-1	8-2	8-3	8-4	8-5	8-6	8-9	9-1	9-2	9-3	9-4	9-5	9-6	9-9	ASSY NO. X-2286546-Y	
A	B	C	D	E	F	Z	G	H	J	K	L	M	O	ASSY CODE	
C	C	C	C	C	C	C	C	C	C	C	C	C	C	REVISION	

THIS DRAWING IS A CONTROLLED DOCUMENT.

DMW: A. Weiss 15 JUL 2014
 CHK: M. Reinhardt 15 JUL 2014
 APVD: M. Reinhardt 15 JUL 2014

TE Connectivity

HSD Header 90deg
 HSD Header 90deg

114-94319

Customer Drawing

SCALE 5:1 SHEET 2 OF 2

X-ON Electronics

Largest Supplier of Electrical and Electronic Components

Click to view similar products for [Headers & Wire Housings](#) category:

Click to view products by [TE Connectivity](#) manufacturer:

Other Similar products are found below :

[892-18-020-10-001101](#) [58102-G61-06LF](#) [582553-1](#) [0009485154](#) [009176003701906](#) [0050291907](#) [LY20-4P-DT1-P1E-BR](#) [02.125.8002.8](#)
[609-3404](#) [61062-3](#) [61082-181009](#) [622-3653LF](#) [63453-116](#) [636-1030](#) [636-1427](#) [636-3427](#) [636-4007](#) [641938-9](#) [641991-4](#) [644827-2](#) [65817-010LF](#) [65817-015LF](#) [65863-015LF](#) [66207-023LF](#) [67095-007LF](#) [67601157](#) [68645-018](#) [68648-049](#) [70.362.1628.0](#) [70-4210](#) [70-4226B](#) [70-4853B](#) [707-5020](#) [707-5028](#) [71.350.2428.0](#) [71918-208LF](#) [71961-016LF](#) [733-134](#) [733-162](#) [754199-000](#) [760-3052](#) [787-8014-00](#) [79531-3000](#)
[FCN-360C032-B](#) [FCN-367T-T012/H](#) [FCN-723D010/2](#) [80.063.4001.1](#) [800-90-001-10-001000](#) [800-90-010-10-002000](#) [801-43-002-10-013000](#)