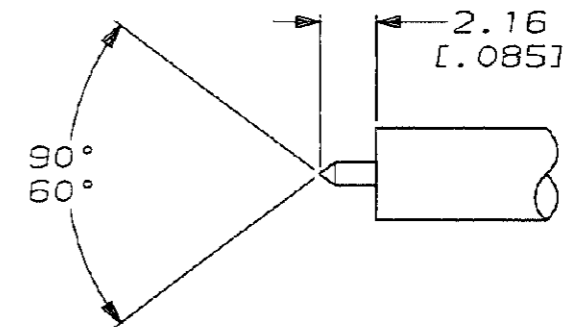
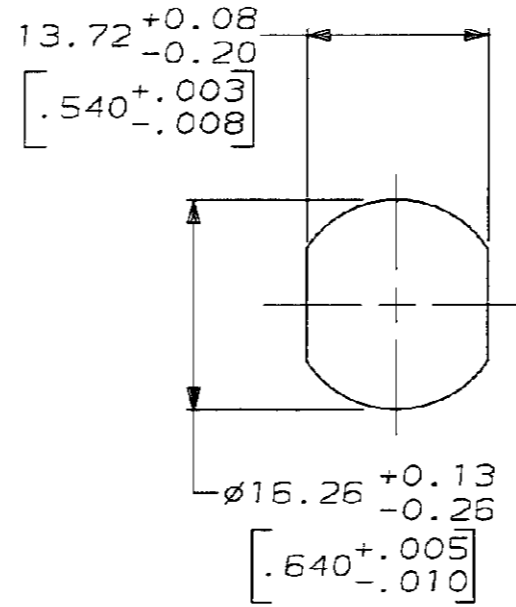
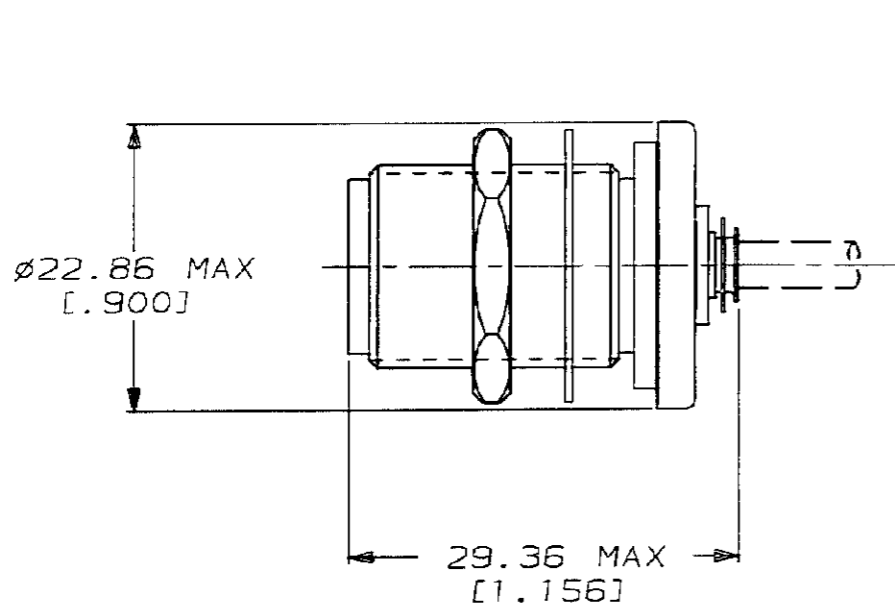


DRAWING MADE IN THIRD ANGLE PROJECTION

THIS DRAWING IS UNPUBLISHED. RELEASED FOR PUBLICATION, 19

© COPYRIGHT 19 BY AMP INCORPORATED. ALL INTERNATIONAL RIGHTS RESERVED.

LOC	DIST	P	F	ZONE	LTR	DESCRIPTION	DATE	APPD
AJ	16				B	REDRWN& OBSOLETE -2 PER AJ-4211	02/07/92	BM



SUGGESTED PANEL CUTOUT  
6.35 [0.250] MAX PANEL THICKNESS

RECOMMENDED STRIP LENGTH  
SCALE 4:1

OBSOLETE	-	-	-	-	-	-	228658-2
	RG-402/U SEMI RIGID	22132-3	50687-2	1-332004-7	228446-1	228659-1	228658-1
	CABLE	⑤ O-RING QTY=1	④ LOCKWASHER QTY=1	③ JAMNUT QTY=1	② ADAPTOR ASSY QTY=1	① JACK ASSY QTY=1	PART NUMBER

DO NOT SCALE PRINT.  
UNLESS SPECIFIED  
DIMENSIONS IN mm [INCHES]  
TOLERANCES ON:  
2 PLC DEC ± 0.13 [0.005]  
3 PLC DEC ± -  
ANGLES ± -  
MATERIAL -  
FINISH -

DR 02/07/92  
B. MOYER  
CHK 2-21-92  
M. SNEED  
APPD 2-21-92  
R. HENRY  
APPD 2-21-92  
M. SNEED  
PRODUCT SPEC -  
APPLICATION SPEC -  
WEIGHT -

**AMP** AMP Incorporated  
Harrisburg, PA 17105-3608  
NAME  
JACK, REAR MOUNTED,  
SERIES N  
SIZE B CAGE CODE 00779 DRAWING NO 228658  
SCALE 2:1 SHEET 1 OF 1

## X-ON Electronics

Largest Supplier of Electrical and Electronic Components

*Click to view similar products for [RF Connectors / Coaxial Connectors](#) category:*

*Click to view products by [TE Connectivity](#) manufacturer:*

Other Similar products are found below :

[8915-1511-000](#) [89674-0827](#) [6001-7071-019](#) [6002-7051-003](#) [6002-7551-202](#) [6059674-1](#) [619550-1](#) [630059-000](#) [M39030/3-01N](#) [6500-7071-046](#) [6769](#) [CX050L2AQ](#) [7002-1541-010](#) [7002-1542-011](#) [7004-1512-000](#) [7009-1511-004](#) [7010-1511-000](#) [7029-1511-060](#) [7101-1541-010](#) [7101-1571-002](#) [7145-1521-002](#) [7203-1571-003](#) [7209-1511-011](#) [7210-1511-015](#) [7210-1511-019](#) [73137-5015](#) [73216-2241](#) [73404-2300](#) [7405-1521-005](#) [7405-1521-802](#) [8527](#) [8547](#) [FS11V](#) [877931](#) [9049-9513-000](#) [9074-9513-000](#) [9101-9573-002](#) [910A205F](#) [9130-9573-002](#) [PL11SC-026](#) [PL375-33](#) [PL40-5](#) [PL74C-221](#) [PL75MC-217](#) [PL803-7](#) [980-8666-005](#) [1200690078](#) [1-201144-1](#) [R107003010W](#) [R110A172100](#)