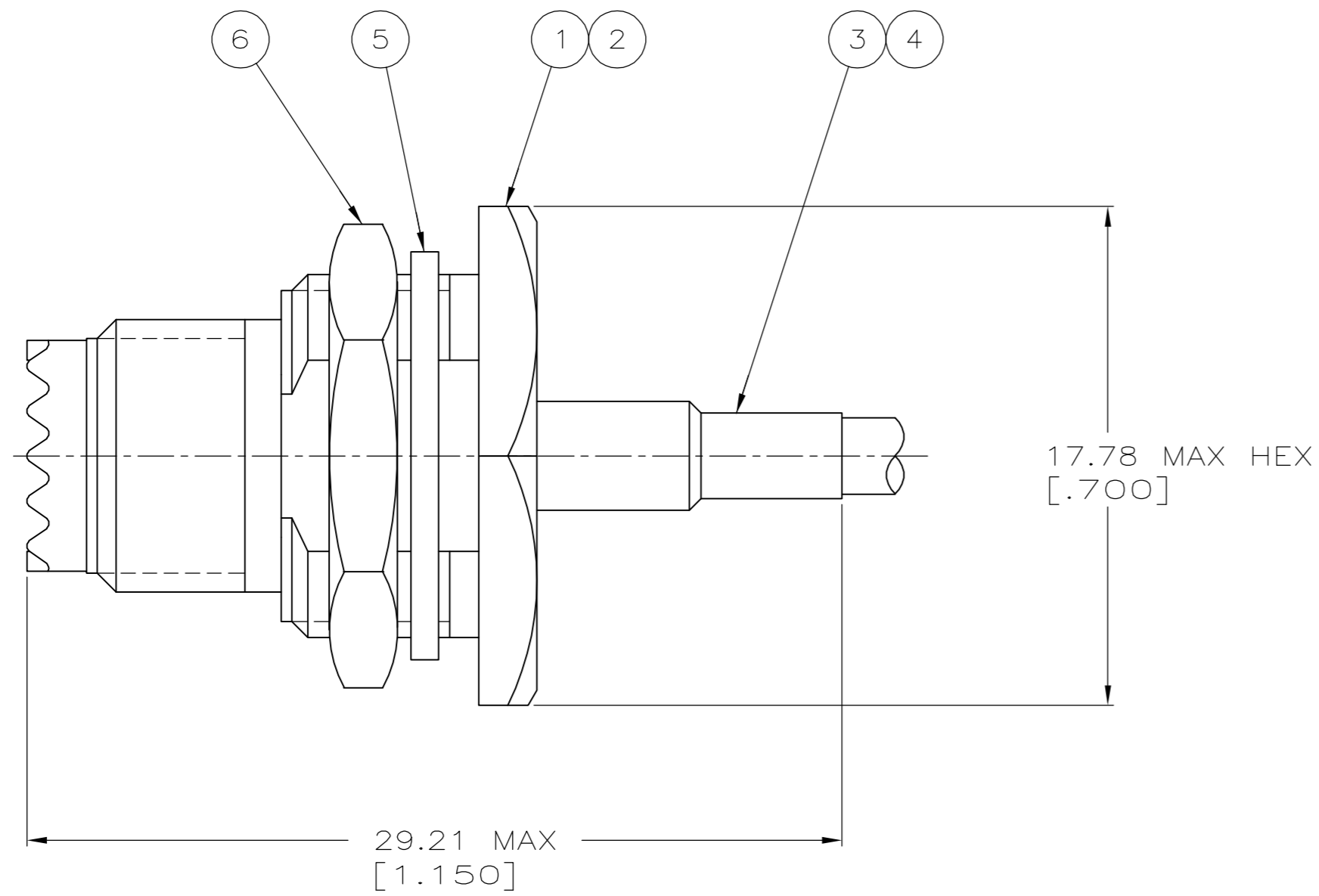
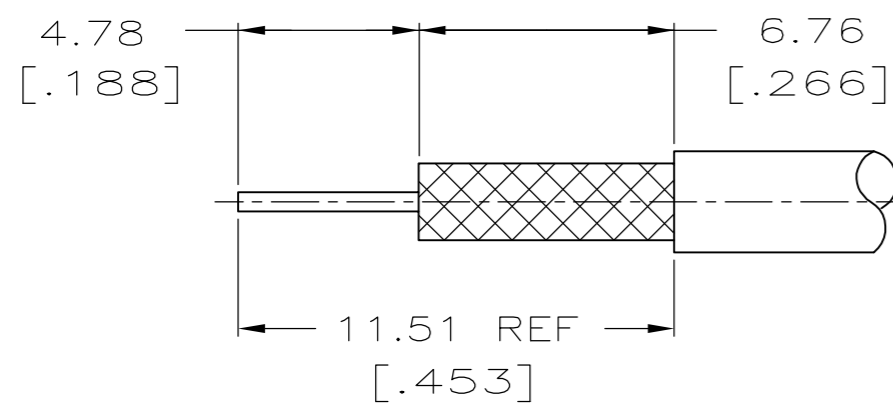


THIS DRAWING IS UNPUBLISHED. RELEASED FOR PUBLICATION
 © COPYRIGHT BY TYCO ELECTRONICS CORPORATION. ALL RIGHTS RESERVED.

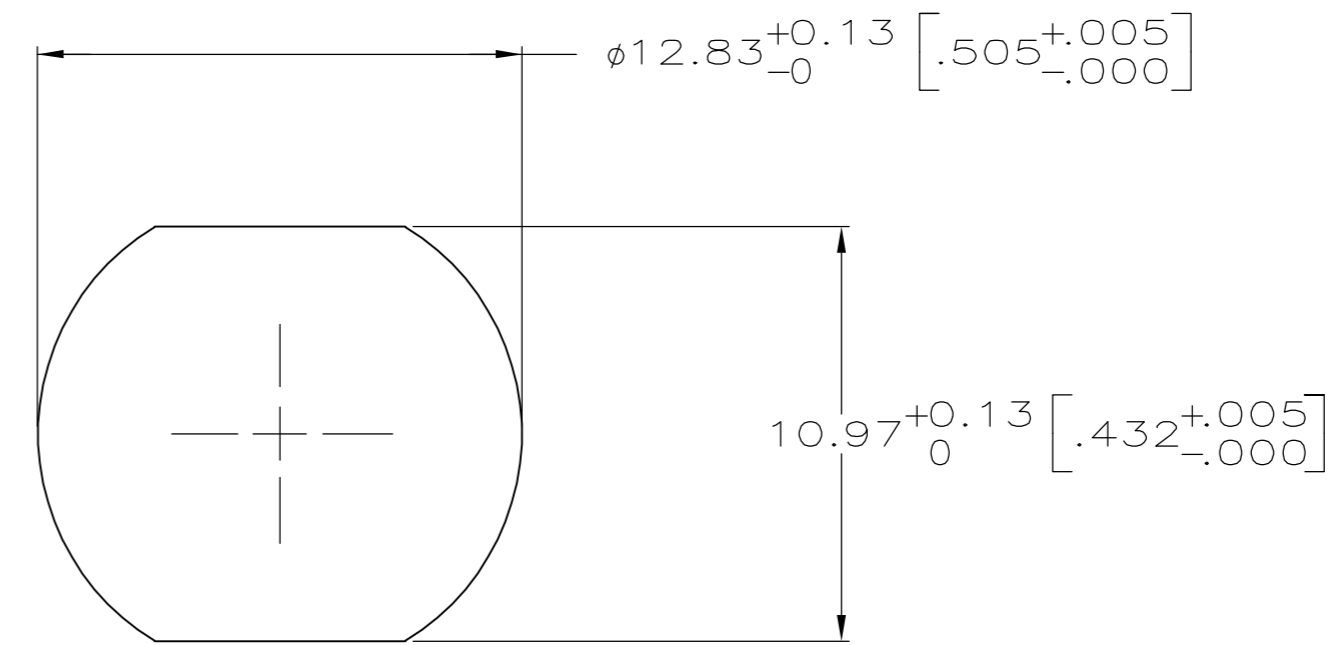
Loc	DIST	REVISIONS			
P	LTR	DESCRIPTION	DATE	DWN	APVD
AJ	16	D	PER EC OS14-0236-04	07JAN05	BM JL



1. FOR USE WITH RG-188/U CABLE
2. USE CRIMPING TOOL 59983-1
3. SEE I.S. 2578



RECOMMENDED STRIP LENGTH



RECOMMENDED PANEL CUT OUT

SUPSD BY 228665-2	-	-	21427-1	9-328666-0	-	228666-1	228665-4
SUPSD BY 228665-2	-	-	21427-1	9-328666-0	9-228668-0	228666-1	228665-3
	1-329631-2	1-329632-2	21427-1	9-328666-0	9-228668-0	228666-1	228665-2
⑥ JAM NUT QTY=1	⑤ LOCKWASHER QTY=1	④ BUSHING QTY=1	③ FERRULE QTY=1	② CONTACT QTY=1	① JACK ASS'Y QTY=1	PART NUMBER	

THIS DRAWING IS A CONTROLLED DOCUMENT.

DIMENSIONS:	TOLERANCES UNLESS OTHERWISE SPECIFIED:	DWN	8-12-96	Tyco Electronics Corporation Harrisburg, PA 17105-3608
mm [inches]	0 PLC ± -	CHK	8-12-96	
	1 PLC ± -	APVD	8-12-96	
	2 PLC ± 0.41 [.016]	PRODUCT SPEC		
	3 PLC ± -	APPLICATION SPEC		NAME
	4 PLC ± -	WEIGHT		JACK, BULKHEAD, MINIATURE UHF
	ANGLES ± -	SCALE	5:1	SIZE
	FINISH	SHEET	1 OF 1	CAGE CODE
MATERIAL		REV	D	DRAWING NO
		CUSTOMER DRAWING		00779 C=228665

X-ON Electronics

Largest Supplier of Electrical and Electronic Components

Click to view similar products for [RF Connectors / Coaxial Connectors](#) category:

Click to view products by [TE Connectivity](#) manufacturer:

Other Similar products are found below :

[R125315120](#) [8915-1511-000](#) [89674-0827](#) [5916-1103-603](#) [6-0001-3](#) [6001-7071-019](#) [6002-7051-003](#) [6002-7551-202](#) [6059674-1](#) [619550-1](#)
[630059-000](#) [M39012/25-0021](#) [M39012/79-3008](#) [M39030/3-01N](#) [M39030/3-03N](#) [M3933/25-36N](#) [6500-7071-046](#) [M83723/72W24576](#)
[M83723/72W2457N](#) [6769](#) [CX050L2AQ](#) [7002-1541-010](#) [7002-1572-002](#) [7003-1572-002](#) [7010-1511-000](#) [7029-1511-060](#) [7101-1541-010](#)
[7101-1571-002](#) [7105-1521-002](#) [7145-1521-002](#) [7209-1511-011](#) [7210-1511-015](#) [7210-1511-019](#) [7225-1512-050](#) [7242-1511-000](#) [73137-5015](#)
[73251-0111](#) [73251-0672](#) [7325-1512-000](#) [73276-1501](#) [73366-0013](#) [73404-2300](#) [73413-6080](#) [73415-5721](#) [7405-1521-005](#) [7405-1521-802](#)
[7406-1521-005](#) [804S01D04M040](#) [8145-1521-002](#) [81590](#)