

BLOCK SD CONNECTOR ✓ ACTIVE

SIM Connectors

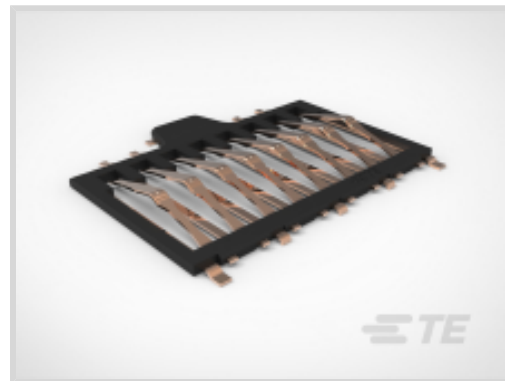
TE Part # 2286981-1

TE Internal #: 2286981-1

[View on TE.com >](#)



Connectors > Card & Socket Connectors > Memory Card Connectors > SIM Card Connectors



Card Type: **Smart Card**

Number of Positions: **8**

Centerline (Pitch): **1.1 mm [.04 in]**

Number of Contacts: **8**

PCB Mounting Style: **Surface Mount**

Features

Product Type Features

Card Type	Smart Card
Connector & Contact Terminates To	Printed Circuit Board

Configuration Features

Number of Positions	8
Number of Contacts	8

Contact Features

Contact Current Rating (Max)	.5 A
------------------------------	------

Mechanical Attachment

PCB Mounting Style	Surface Mount
Connector Mounting Type	Board Mount

Housing Features

Centerline (Pitch)	1.1 mm[.04 in]
--------------------	----------------

Usage Conditions

Operating Temperature Range	-25 – 85 °C[-13 – 185 °F]
-----------------------------	---------------------------

Operation/Application

Circuit Application	Signal
---------------------	--------

Product Compliance




[For compliance documentation, visit the product page on TE.com>](#)

EU RoHS Directive 2011/65/EU	Compliant
EU ELV Directive 2000/53/EC	Compliant
China RoHS 2 Directive MIIT Order No 32, 2016	No Restricted Materials Above Threshold
EU REACH Regulation (EC) No. 1907/2006	欧洲化学品管理局最新发布的SvHCs候选清单: 2019年1月 (197) SvHCs候选清单的声明更新至: 2018年6月 (191)
Halogen Content	Low Halogen - Br, Cl, F, I < 900 ppm per homogenous material. Also BFR/CFR/PVC Free
Solder Process Capability	Reflow solder capable to 260°C

Product Compliance Disclaimer

This information is provided based on reasonable inquiry of our suppliers and represents our current actual knowledge based on the information they provided. This information is subject to change. The part numbers that TE has identified as EU RoHS compliant have a maximum concentration of 0.1% by weight in homogenous materials for lead, hexavalent chromium, mercury, PBB, PBDE, DBP, BBP, DEHP, DIBP, and 0.01% for cadmium, or qualify for an exemption to these limits as defined in the Annexes of Directive 2011/65/EU (RoHS2). Finished electrical and electronic equipment products will be CE marked as required by Directive 2011/65/EU. Components may not be CE marked. Additionally, the part numbers that TE has identified as EU ELV compliant have a maximum concentration of 0.1% by weight in homogenous materials for lead, hexavalent chromium, and mercury, and 0.01% for cadmium, or qualify for an exemption to these limits as defined in the Annexes of Directive 2000/53/EC (ELV). Regarding the REACH Regulations, TE's information on SVHC in articles for this part number is still based on the European Chemical Agency (ECHA) 'Guidance on requirements for substances in articles' (Version: 2, April 2011), applying the 0.1% weight on weight concentration threshold at the finished product level. TE is aware of the European Court of Justice ruling of September 10th, 2015 also known as O5A (Once An Article Always An Article) stating that, in case of 'complex object', the threshold for a SVHC must be applied to both the product as a whole and simultaneously to each of the articles forming part of its composition. TE has evaluated this ruling based on the new ECHA "Guidance on requirements for substances in articles" (June 2017, version 4.0) and will be updating its statements accordingly.

Compatible Parts

 <p>TE Part # 2290741-1 3 IN 2 CONNECTOR ASSY</p>	 <p>TE Part # 2822541-1 PUSH-PUSH MICRO SIM CONNECTOR</p>
--	---

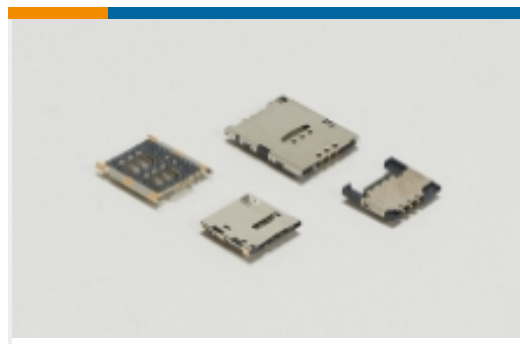
Also in the Series | [SIM Connectors](#)

BLOCK SD CONNECTOR

TE Part # 2286981-1
TE Internal #: 2286981-1



LC Connectors(1)



SIM Card Connectors(23)

Customers Also Bought



TE Part #1-1744417-2
12 POS EP 2.5 HSG,
GLOW WIRE



TE Part #1-1971905-5
PLUG HOUSING 10POS,
KEYING-A,NEW GIC3.3



TE Part #2-2040832-1
EMBOSS TAPING 0.25FPC
BF-L-1.3



TE Part #1513797-1
PCB ANTENNA SINGLE
BANDkaged



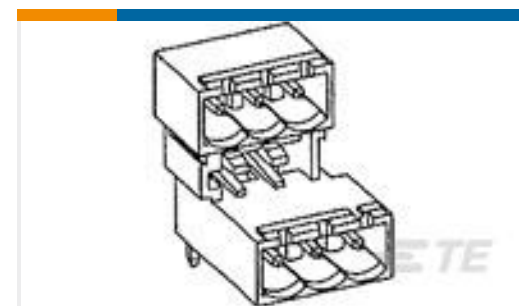
TE Part #5-146134-2
06 MODII HDR DRST
SFMNT B/A



TE Part #5-146502-4
08 MODII HDR DRST
UNSHRD STKG



TE Part #1-1971906-5
HEADER ASSY 10POS,
KEYING-A,NEW GIC3.3



TE Part #1776166-6
6P TERMI-BLOK HDR,
HIGH TEMP



TE Part #3-2176346-4
CRGCQ 1210 330K 5%

Documents

[Product Drawings](#)
BLOCK SD CONNECTOR

English

CAD Files

[3D PDF](#)

3D

[Customer View Model](#)

[ENG_CVM_CVM_2286981-1_D2.2d_dxf.zip](#)



English

Customer View Model

[ENG_CVM_CVM_2286981-1_D2.3d_igs.zip](#)

English

Customer View Model

[ENG_CVM_CVM_2286981-1_D2.3d_stp.zip](#)

English

Product Environmental Compliance

[TE Material Declaration](#)

English

X-ON Electronics

Largest Supplier of Electrical and Electronic Components

Click to view similar products for [Memory Card Connectors](#) category:

Click to view products by [TE Connectivity](#) manufacturer:

Other Similar products are found below :

[M21-033321-005](#) [6407-249V-25273P](#) [6407-249V-25343P](#) [6426-201-21343](#) [69.920.0553.0](#) [FCN-568P068-G/07-4V](#) [809180410000000](#)
[N7E50-7516PG-20-WF](#) [HMCAP001](#) [252-0144-000](#) [2041353-2](#) [33CFAE-DN](#) [502431-1011](#) [NX1-32T-KT3K\(05\)](#) [95622-003LF](#) [N7E50-](#)
[U516RB-50-SIN0005](#) [95079-00CALF](#) [33DVIR-29S12R](#) [125A-78C00](#) [MI20A-50PD-SF-EJL\(71\)](#) [KP10S-SF-PEJ\(812\)](#) [504536-0691](#) [504580-](#)
[0691](#) [CCM03-3109 B LFT](#) [MI21-50PD-SF\(91\)](#) [2309923-1](#) [61126-050CAHLF](#) [IC1GA-68PD-1.27DS-EJ\(72\)](#) [GTFP08432B1HR](#)
[G85DT17001P1EU](#) [G85B21611142HHR](#) [GSD090144HR](#) [G85D1140022P1HR](#) [GMCB05801124EU](#) [G85C11101152HHR](#)
[G85B231021B1HR](#) [G85D1160022HHR](#) [112K-TAA0-RA1](#) [115S-ACA2](#) [115S-ACA3](#) [115S-BS00](#) [115S-BT00](#) [115V-AD00](#) [503960-0695](#)
[101B-TAA0-R](#) [101D-TAAA-R01](#) [101D-TAAB-R01](#) [104D-TCA0-R06](#) [104B-TAA0-R](#) [112C-TBAR-R02](#)