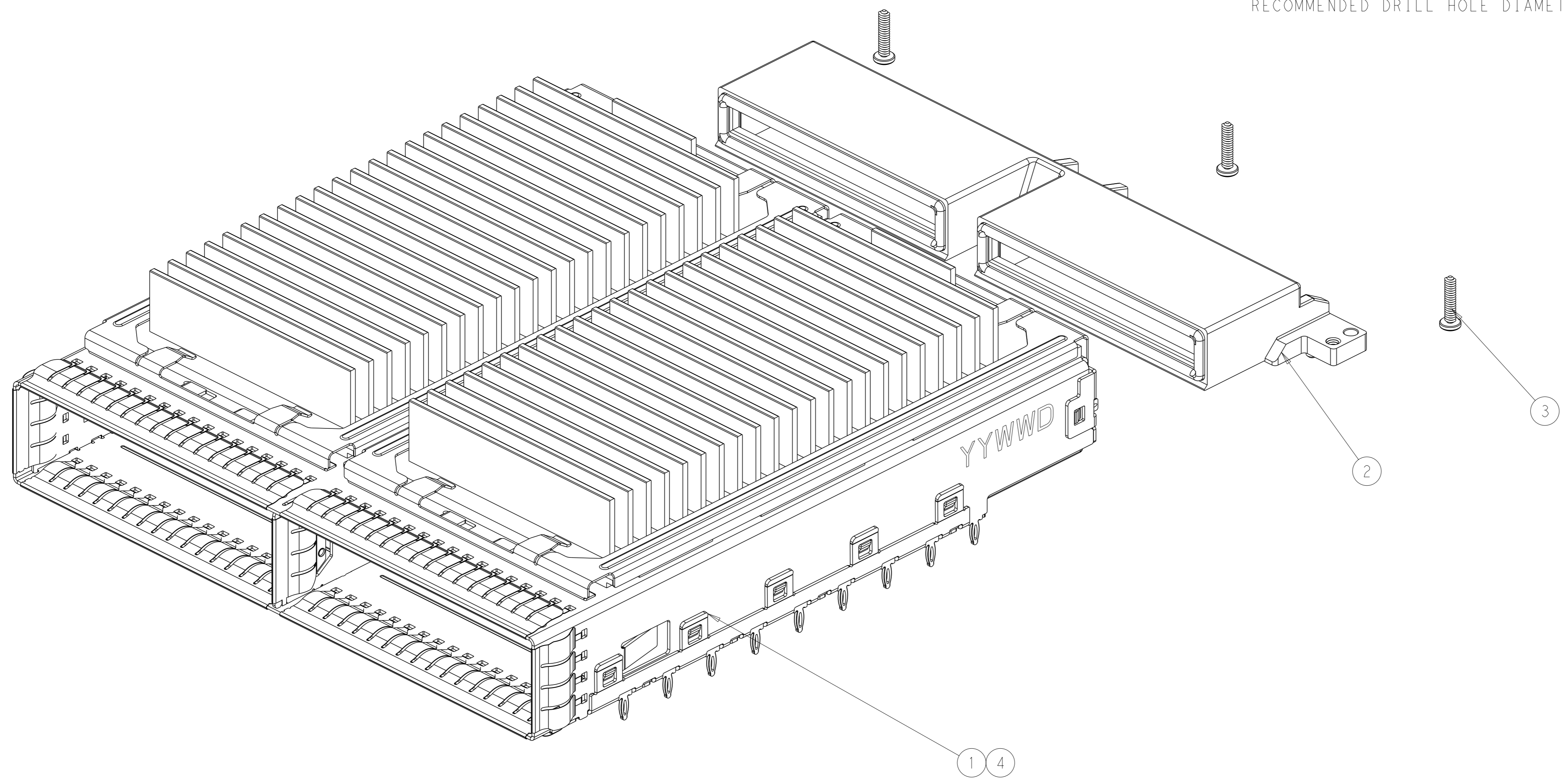


LOC	DIST	REVISIONS					
GP	00	#	CL#	DESCRIPTION	DATE	OWN	APVD
		4		REVISE PCB PROHIBITING AREA	18SEP2016	AD	SH
		5		ADDED NEW DASH NUMBER -4	03DEC2019	SH	SH
		6		GASKET EC CHANGE;-4 HSK DECREASE 0.5MM	28MAY2020	IT	SH
		A		ADD PN -5 WITH CUSTOMIZED HSK	16JUN2020	IT	SH

- ⚠ MATERAIL : CAGE :0.4MM THICK NICKEL SILVER ALLOY;  
 EMI SPRING: COPPER ALLOY;  
 HEAT SINK CLIP: STAINLESS STEEL;  
 HEAT SINK:ALUMINUM ALLOY;  
 RECEPTACLE COVER:ZINC ALLOY;
- ⚠ FINISH: EMI SPRING 1.27um NICKEL PALTING OVER ALL;  
 HEAT SINK:BLACK ANODIZED COATING;  
 RECEPTACLE COVER: 1.27um MIN NICKEL PLATING OVER COPPER PLATING;  
 HEAT SINK CLIP: PASSIVATE;
- 3.MATES WITH CFP MSA COMPLIANT TRANSCEIVERS.
- ⚠ DATUM AND BASIC DIMENSION ESTABLISHED BY CUSTOMER.
- 5.MINIMUM PC BOARD THICKNESS: SIGLE SIDE APPLICATIONS:2.0mm;  
 BELLY TO BELLY APPLICATION:3.0MM
- ⚠.PADS AND VIAS CHASSIS GROUND;
- ⚠:REFERENCE APPLICATION SPEC 114-32146, FOR  
 RECOMMENDED DRILL HOLE DIAMETER AND PLATING THICKNESS.

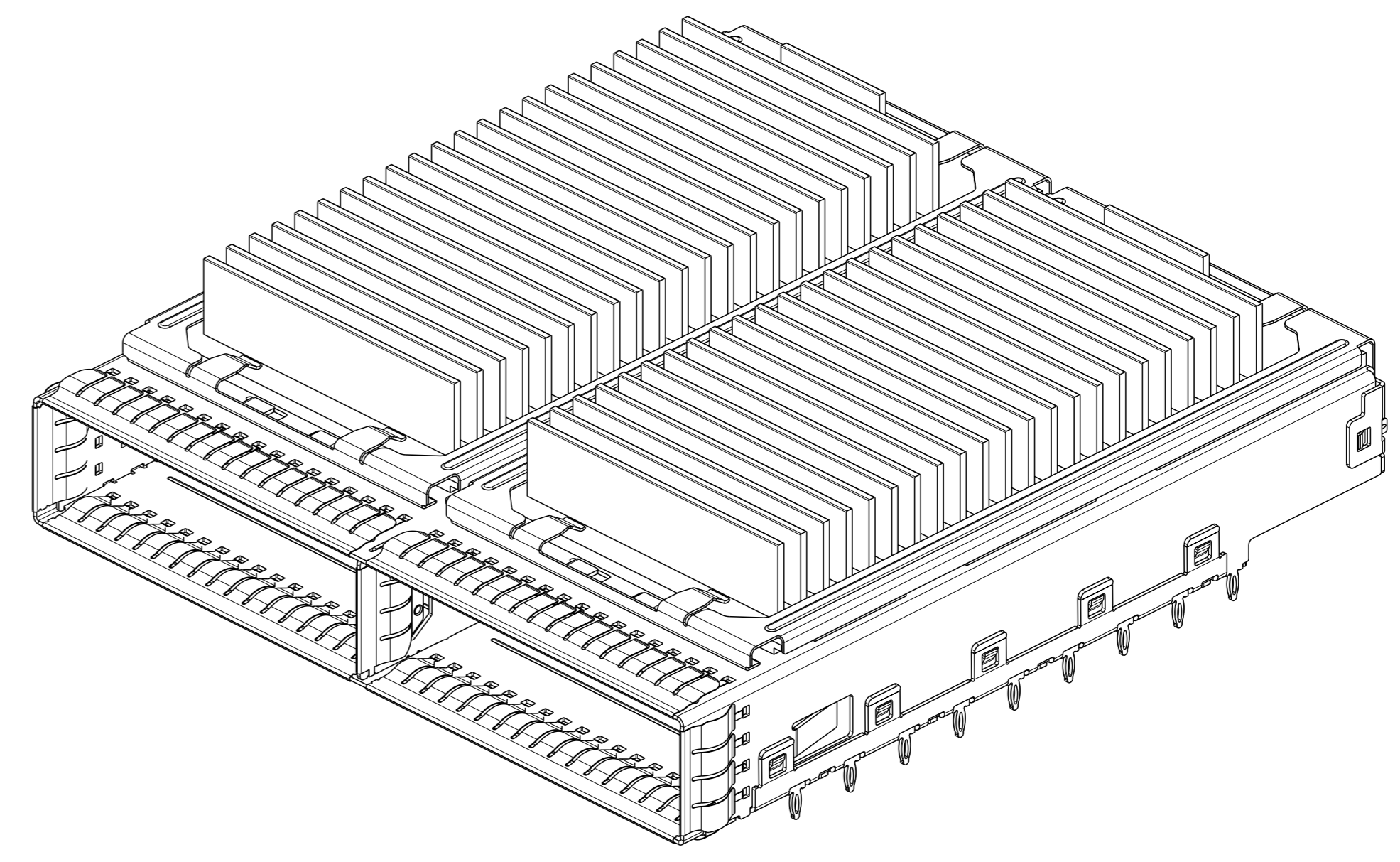
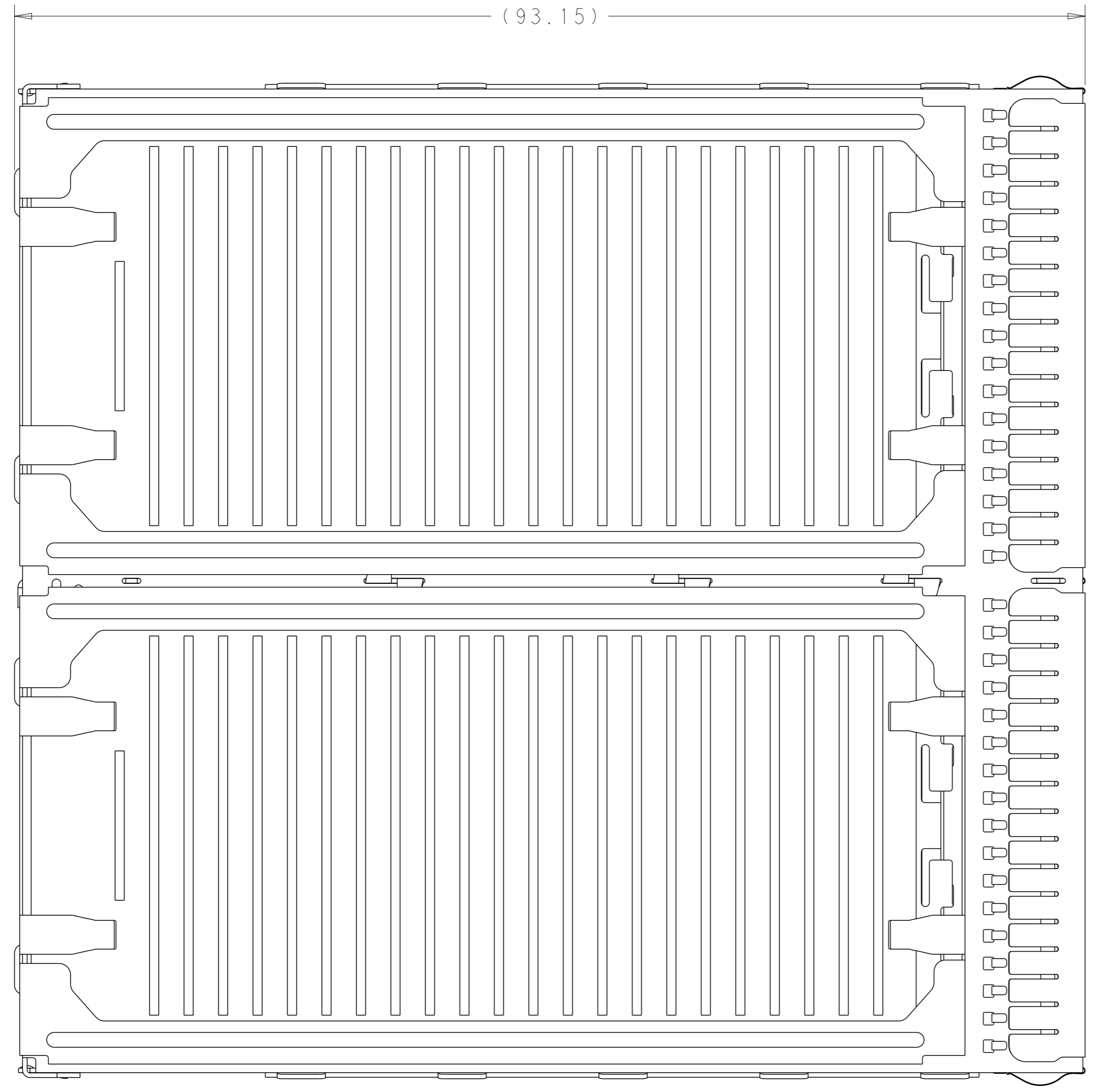


-	1	-	-	2293288-8	CAGE ASSEMBLY WIHT H/S,CFP2 1X2	
1	-	-	-	2293288-6	CAGE ASSEMBLY WITH H/S,CFP2 1X2	4
-	-	1	-	2293288-2	CAGE ASSEMBLY WITH H/S,CFP2 1X2	
3	3	3	3	2292789-1	SCREW	3
1	1	1	1	2287077-1	RECEPTACLE COVER ASSEMBLY	2
-	-	-	1	2293288-1	CAGE ASSEMBLY WITH H/S,CFP2 1X2	1
-5	-4	-2	-1	PAR NUMBER	DESCRIPTION	ITEM

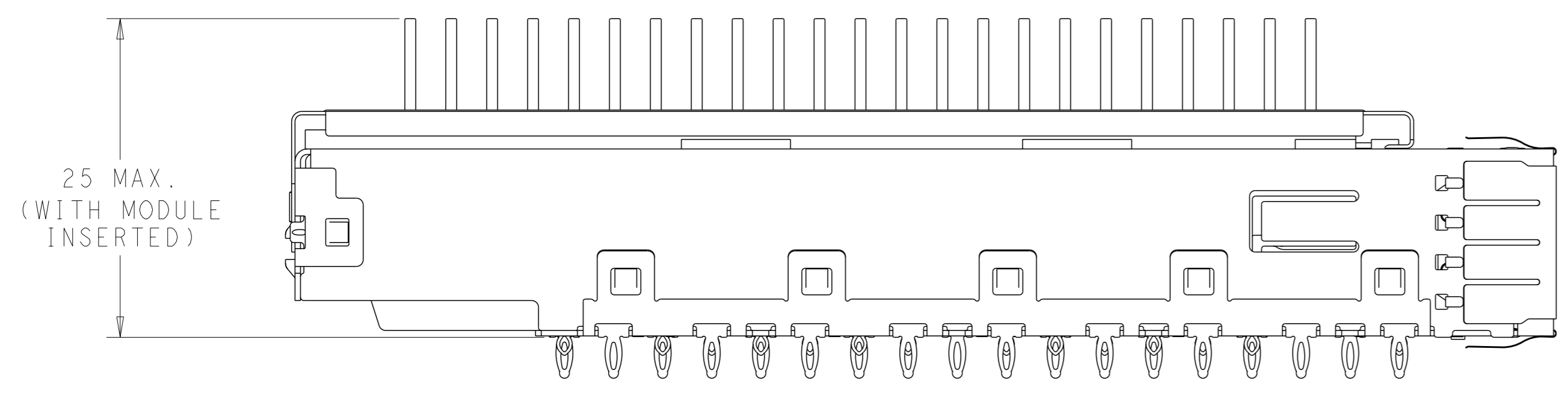
THIS DRAWING IS A CONTROLLED DOCUMENT. **TE** TE Connectivity

DIMENSIONS: mm 0 PLC ± 1 PLC ±0.25 2 PLC ±0.13 3 PLC ±0.10 4 PLC ± ANGLES ± FINISH ±	TOLERANCES UNLESS OTHERWISE SPECIFIED: DIMENSIONS: mm 0 PLC ± 1 PLC ±0.25 2 PLC ±0.13 3 PLC ±0.10 4 PLC ± ANGLES ± FINISH ±	OWN: Charles Wan 31JAN2015 CHK: Sean Han 31JAN2015 APVD: Sean Han 31JAN2015 PRODUCT SPEC: 108-32103 APPLICATION SPEC: 114-32146 WEIGHT: - CUSTOMER DRAWING	NAME: CFP2 HARDWARE AND RECEPTACLE ASSEMBLY, 1X2 SIZE: A1 CAGE CODE: - DRAWING NO: C=2287075 SCALE: 1:1 SHEET: 1 OF 7 REV: A
--	--	--	--

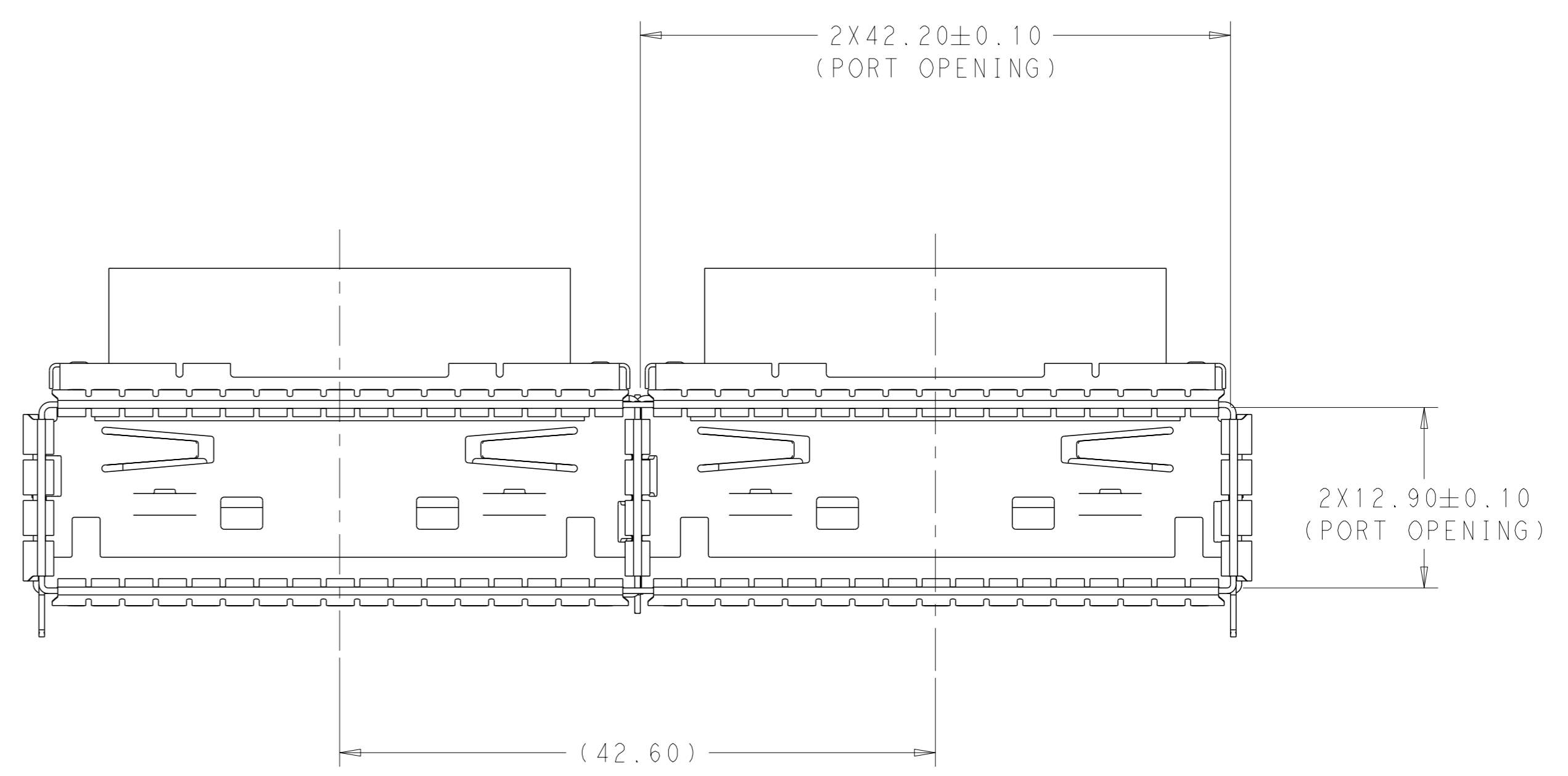
LOC	DIST	REVISIONS			
P	LYR	DESCRIPTION	DATE	OWN	APVD
GP	00	SEE SHEET 1	-	-	-



2293288-1 3D VIEW  
SCALE 2:1

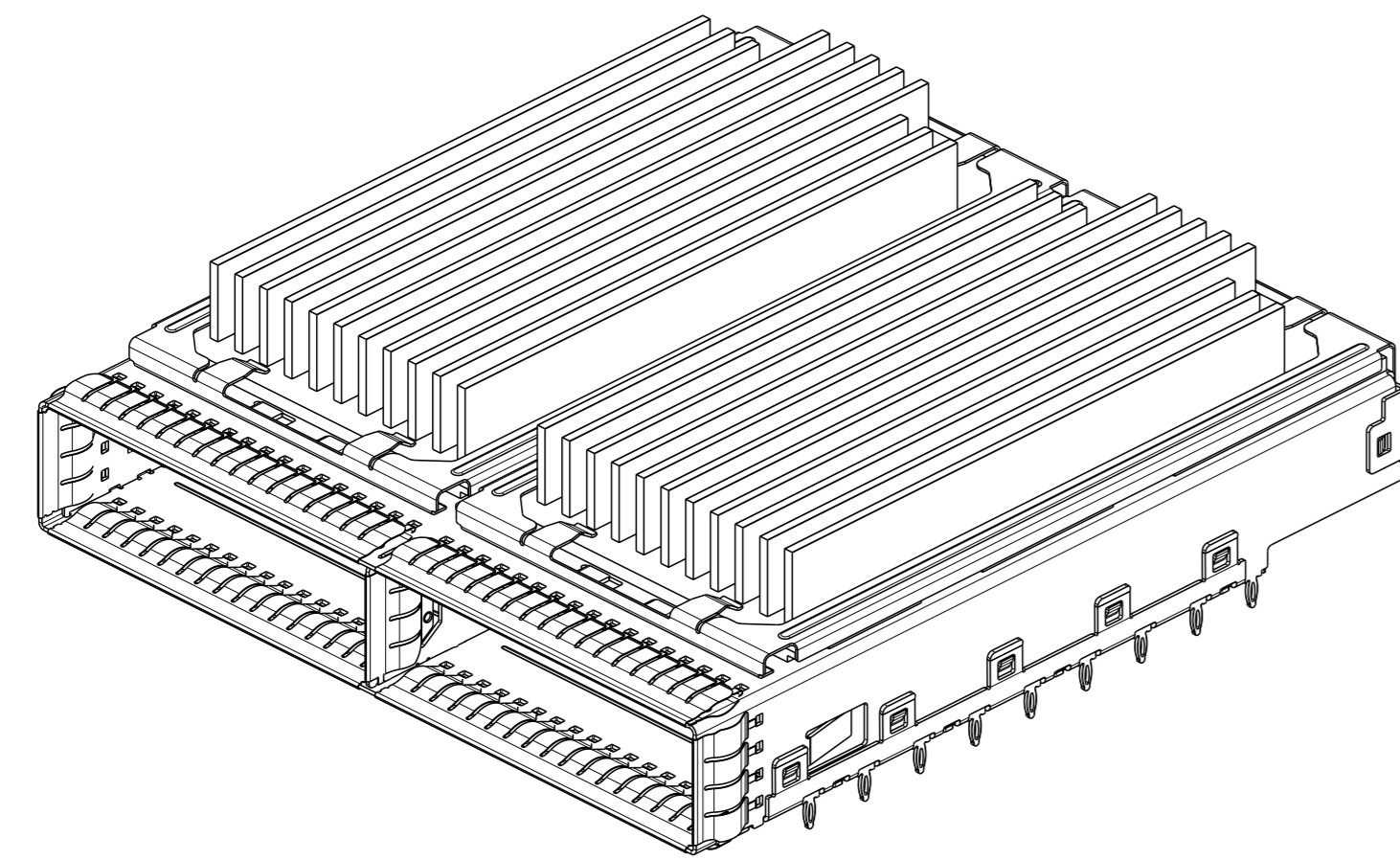


2293288-1 AS SHOWN

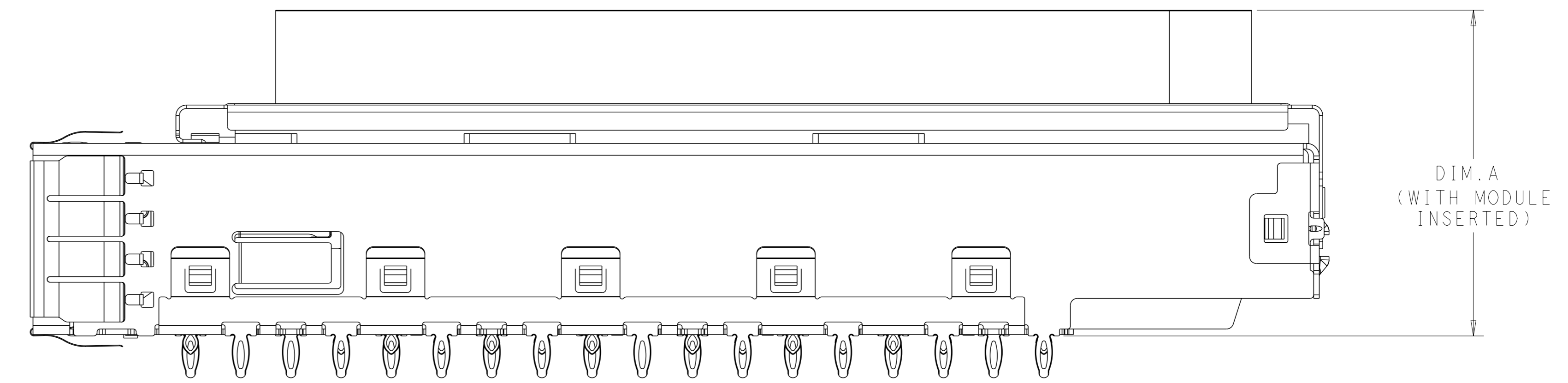


THIS DRAWING IS A CONTROLLED DOCUMENT.		OWN Charles Wan 31JAN2015	TE Connectivity
DIMENSIONS:		CHK Sean Han 31JAN2015	
mm	0 PLC ± 1 PLC ±0.25 2 PLC ±0.13 3 PLC ±0.10 4 PLC ±* ANGLES FINISH ±*	APVD Sean Han 31JAN2015	NAME CFP2 HARDWARE AND RECEPTACLE ASSEMBLY, 1X2
MATERIAL		PRODUCT SPEC	SIZE A1
		APPLICATION SPEC	CAGE CODE -
		WEIGHT	DRAWING NO. C=2287075
		CUSTOMER DRAWING	RESTRICTED TO
			SCALE 3:1 SHEET 2 OF 7 REV A

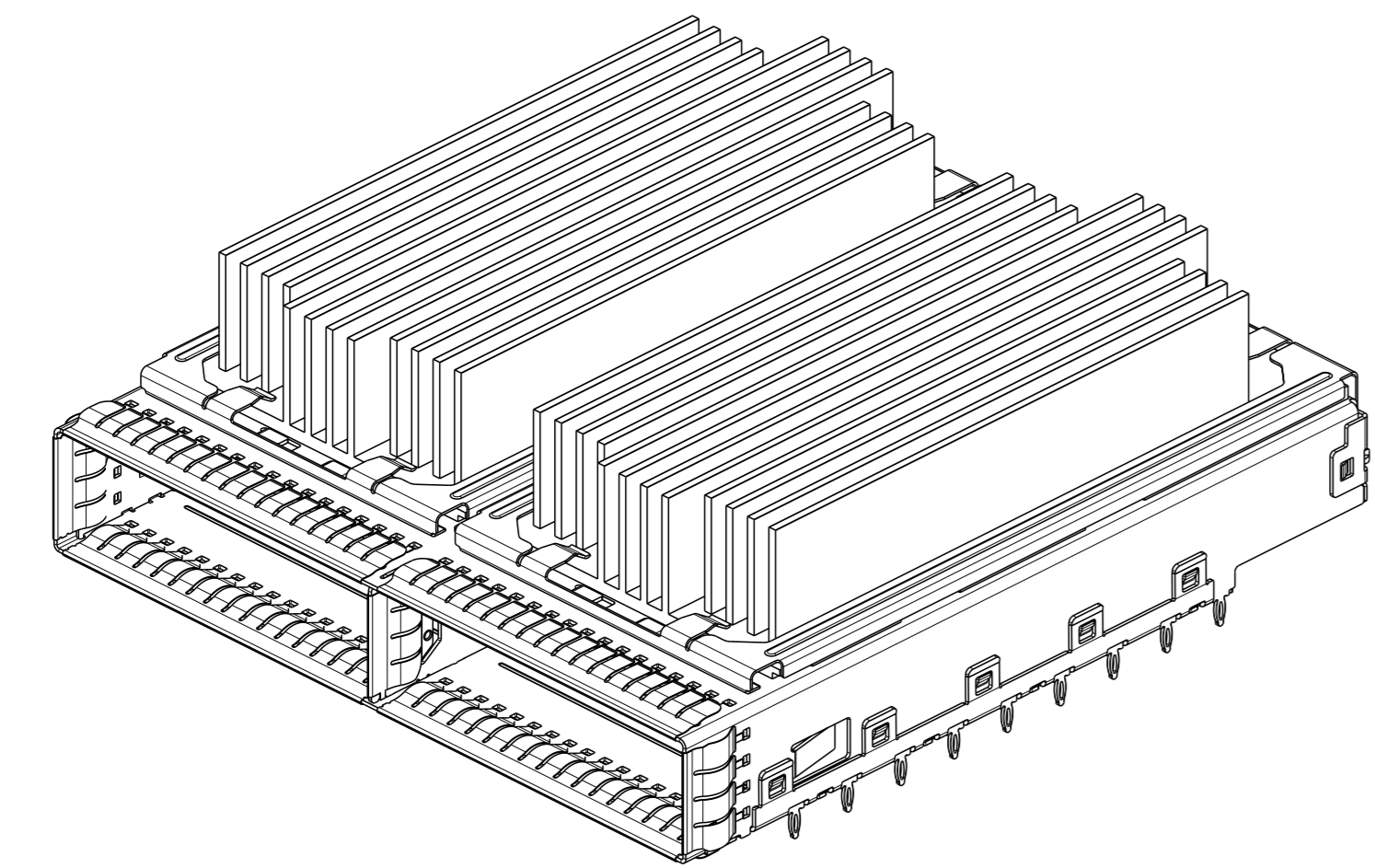
LOC	DIST	REVISIONS			
GP	00	REV	DATE	OWN	APVD
-	-	SEE SHEET 1	-	-	-



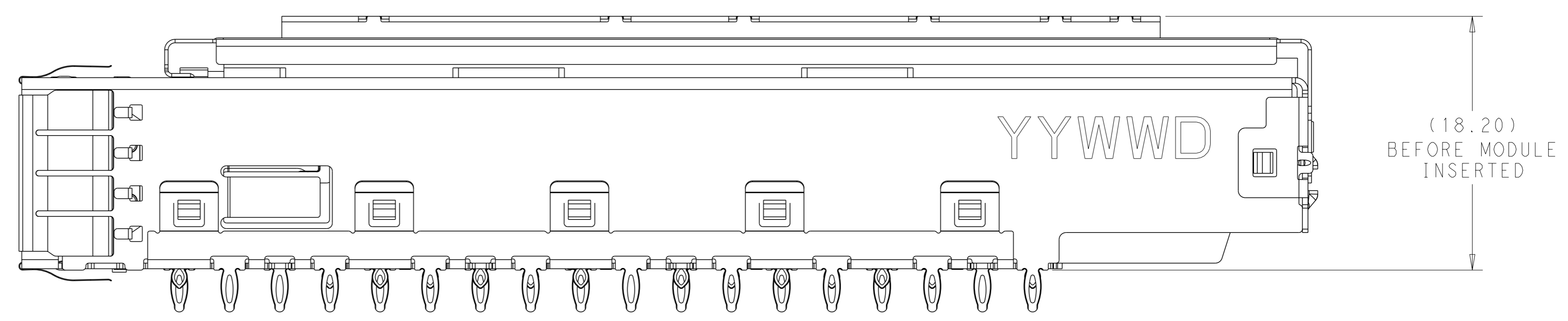
2293288-2 3D VIEW



2293288-2, -6  
 OTHER DIMENSIONS  
 SAME AS 2293288-1  
 SCALE 4:1

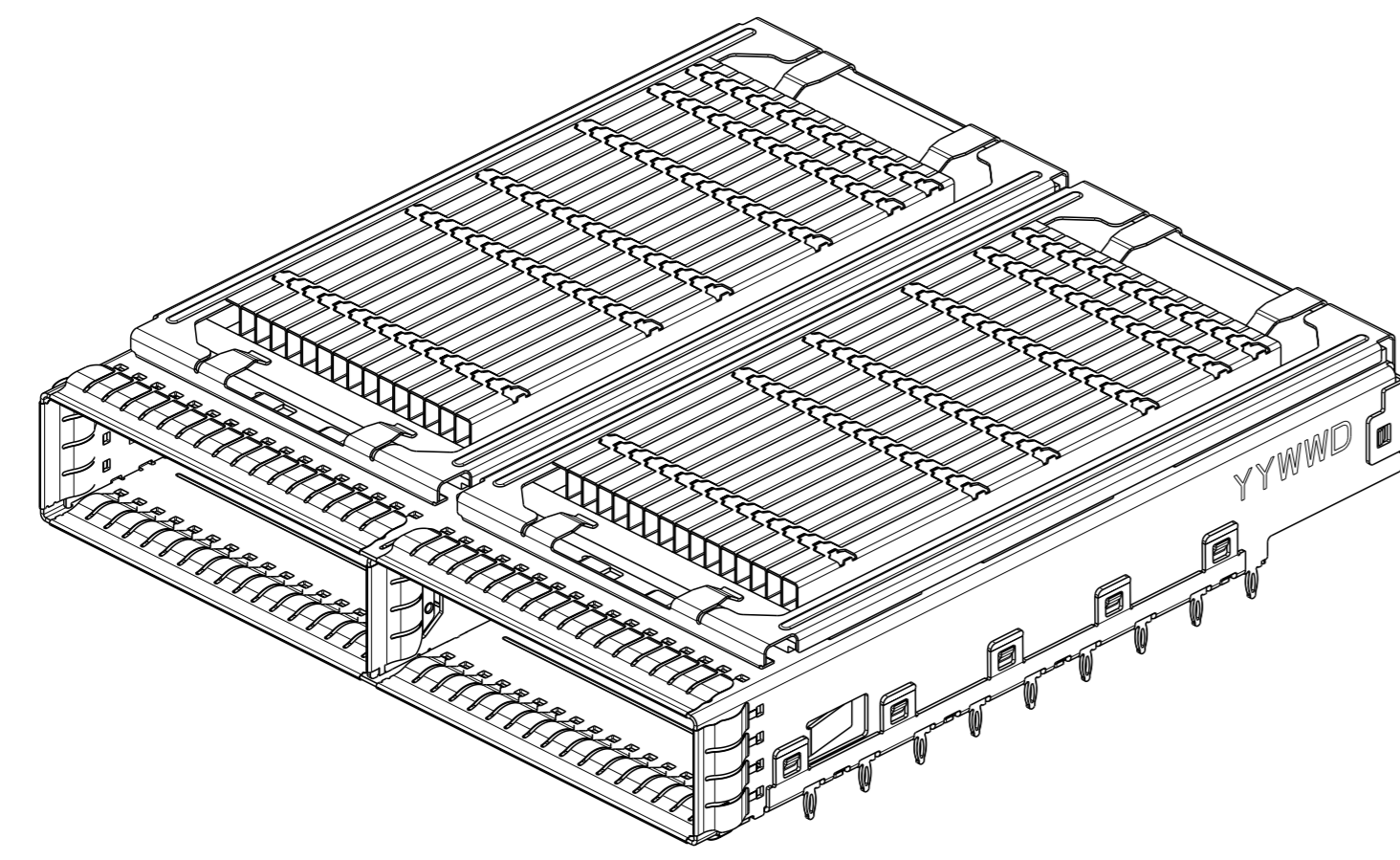


2293288-6 3D VIEW



2293288-8 AS SHOWN  
 OTHERS DIMENSIONS  
 SAME AS 2293288-1  
 SCALE 4:1

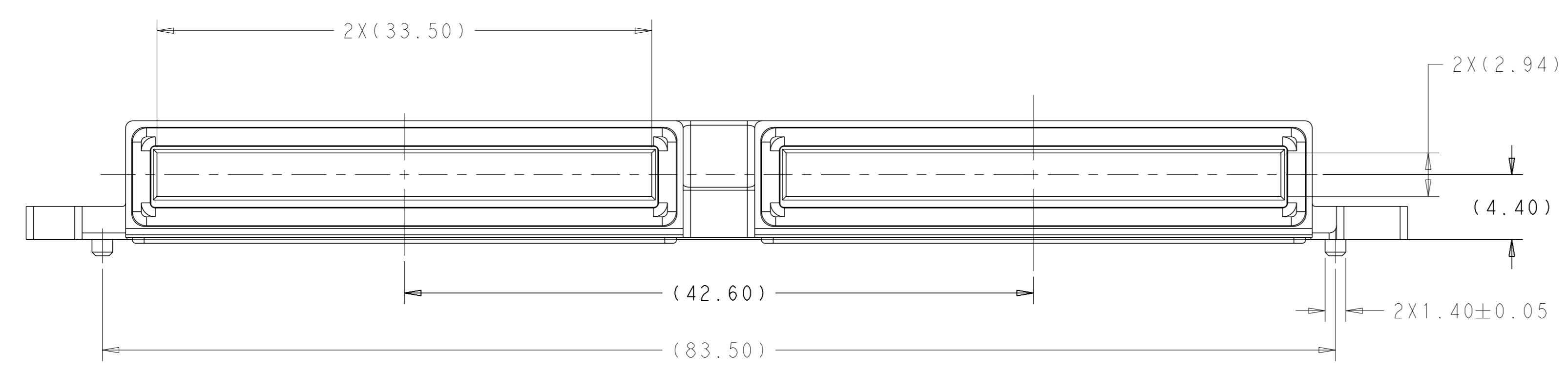
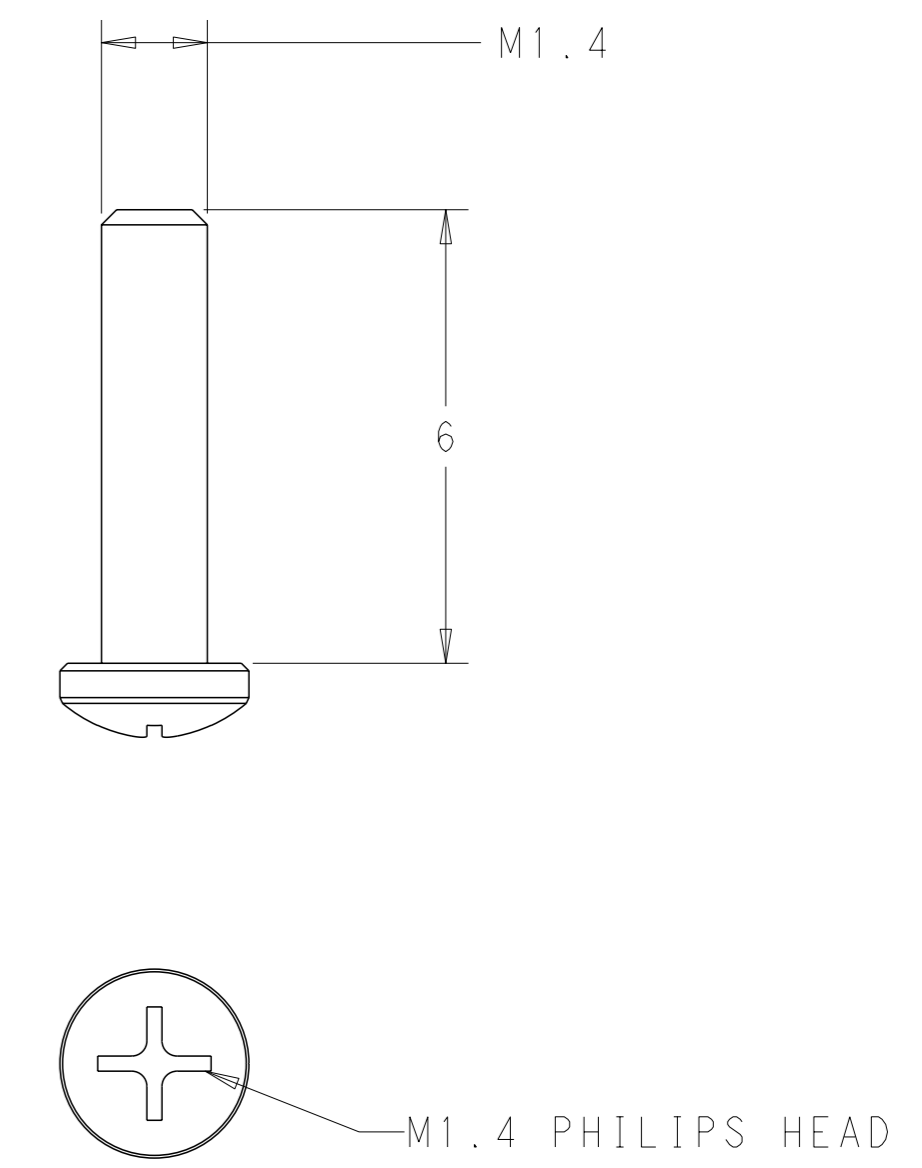
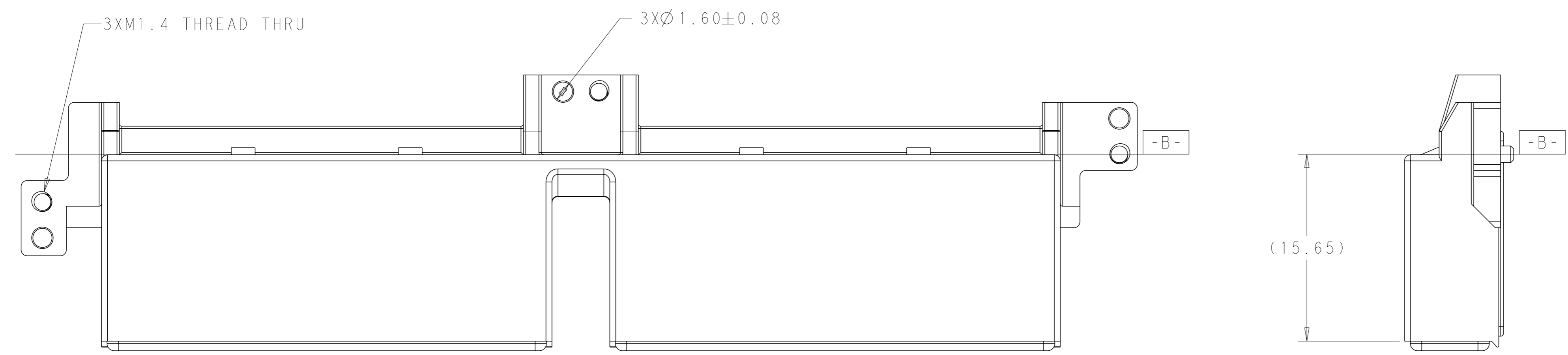
29.5 MAX	2293288-6
25 MAX	2293288-2
DIM. A	PART NUMBER



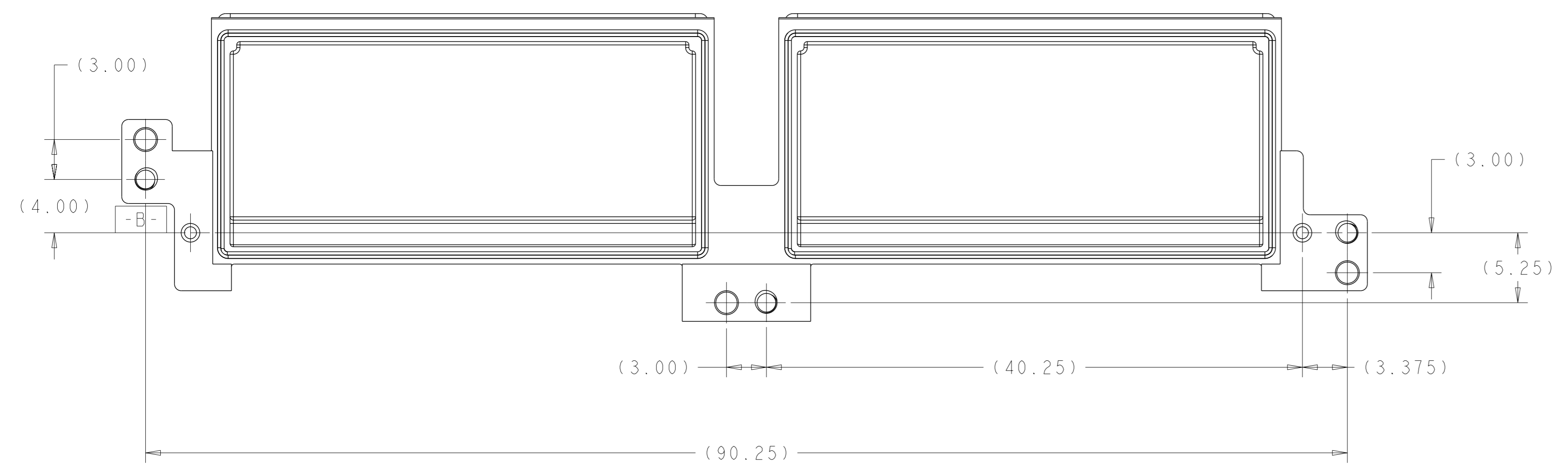
2293288-8 3D VIEW  
 SCALE 3:2

THIS DRAWING IS A CONTROLLED DOCUMENT.		OWN Charles Wan 31JAN2015	TE Connectivity NAME CFP2 HARDWARE AND RECEPTACLE ASSEMBLY, 1X2
DIMENSIONS:		CHK Sean Han 31JAN2015	
mm	TOLERANCES UNLESS OTHERWISE SPECIFIED:	APVD Sean Han 31JAN2015	PRODUCT SPEC
0 PLC ± 1 PLC ±0.25 2 PLC ±0.13 3 PLC ±0.10 4 PLC ±* ANGLES FINISH ±*	APPLICATION SPEC WEIGHT CUSTOMER DRAWING	SIZE A1	RESTRICTED TO SCALE 1:1 SHEET 3 OF 7 REV A

LOC	DIST	REVISIONS			
P	LYR	DESCRIPTION	DATE	OWN	APVD
GP	00	SEE SHEET 1	-	-	-



2292789-1  
 SCALE 10:1

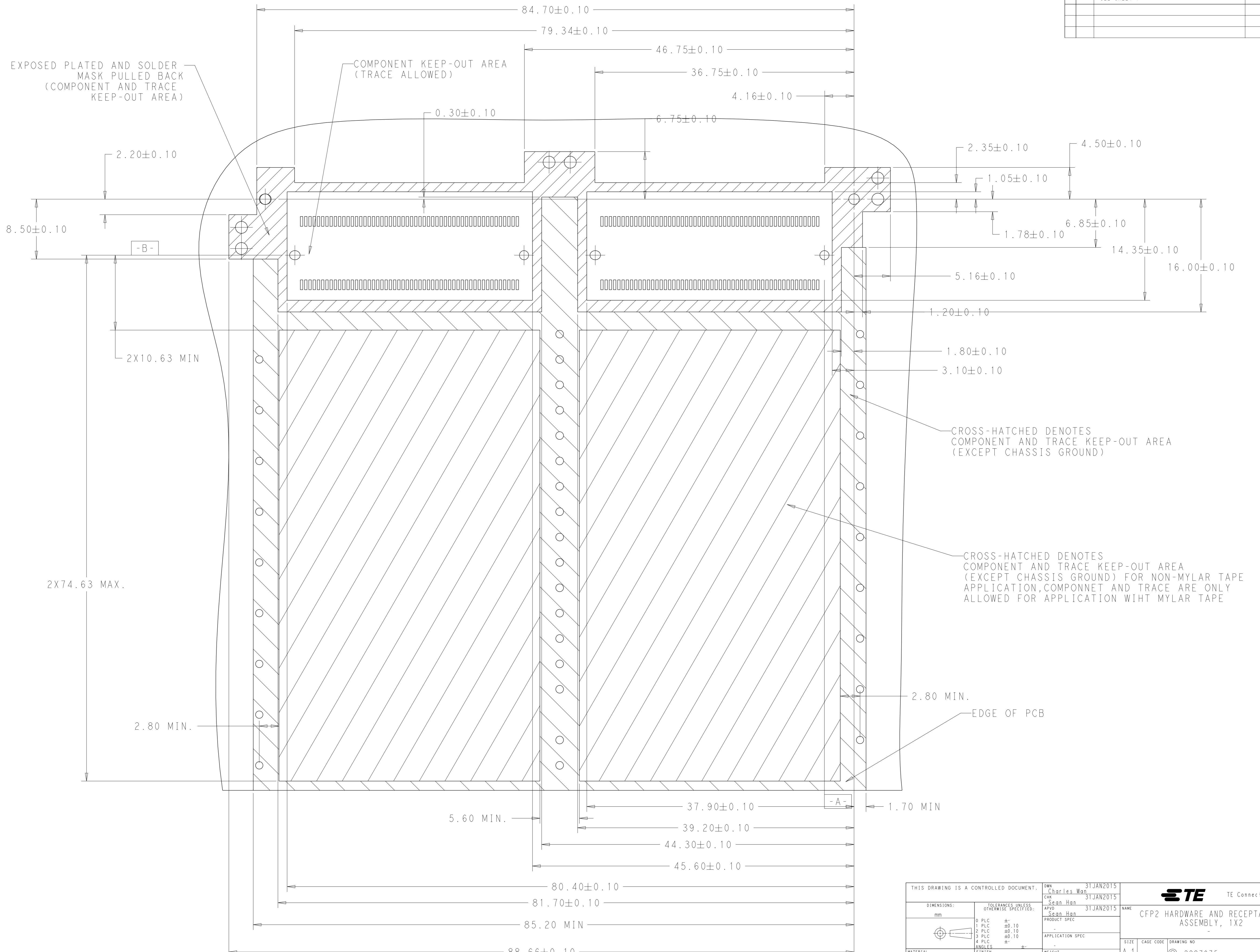


2287077-1

THIS DRAWING IS A CONTROLLED DOCUMENT.		OWN: Charles Wan 31JAN2015	TE Connectivity
DIMENSIONS: mm		CHK: Sean Han 31JAN2015	
TOLERANCES UNLESS OTHERWISE SPECIFIED:		APVD: Sean Han 31JAN2015	NAME: CFP2 HARDWARE AND RECEPTACLE ASSEMBLY, 1X2
0 PLC ±	1 PLC ±0.25	PRODUCT SPEC	SIZE: A1
2 PLC ±0.13	3 PLC ±0.10	APPLICATION SPEC	CAGE CODE: -
4 PLC ±	ANGLES ±*	FINISH	DRAWING NO: ©=2287075
MATERIAL: -	WEIGHT: -	CUSTOMER DRAWING	RESTRICTED TO: -
SCALE: 4:1			SHEET: 4 OF 7
REV: A			



LOC		DIST		REVISIONS			
GP	00	REV	DATE	OWN	APVD	DESCRIPTION	
		-				SEE SHEET 1	

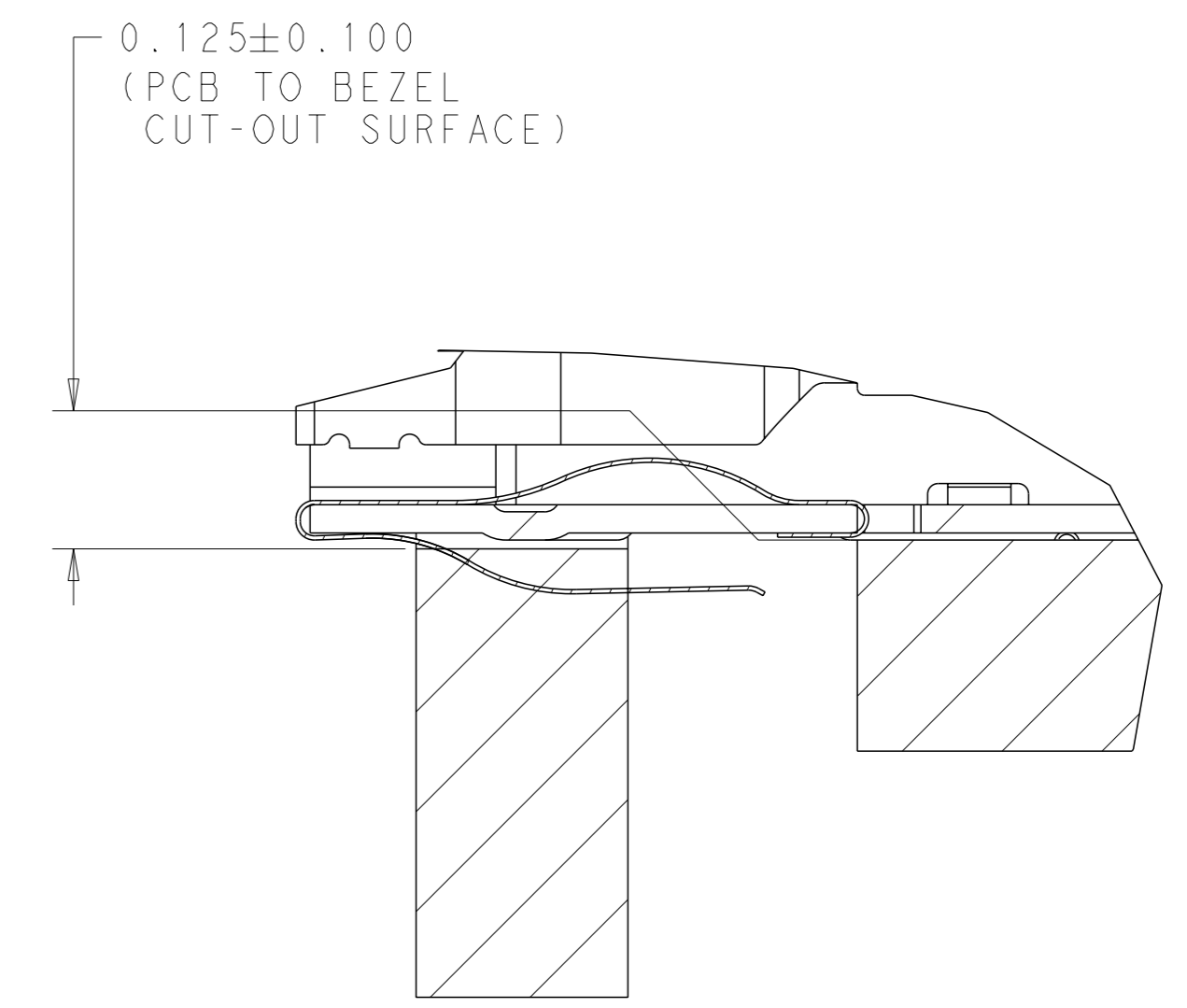
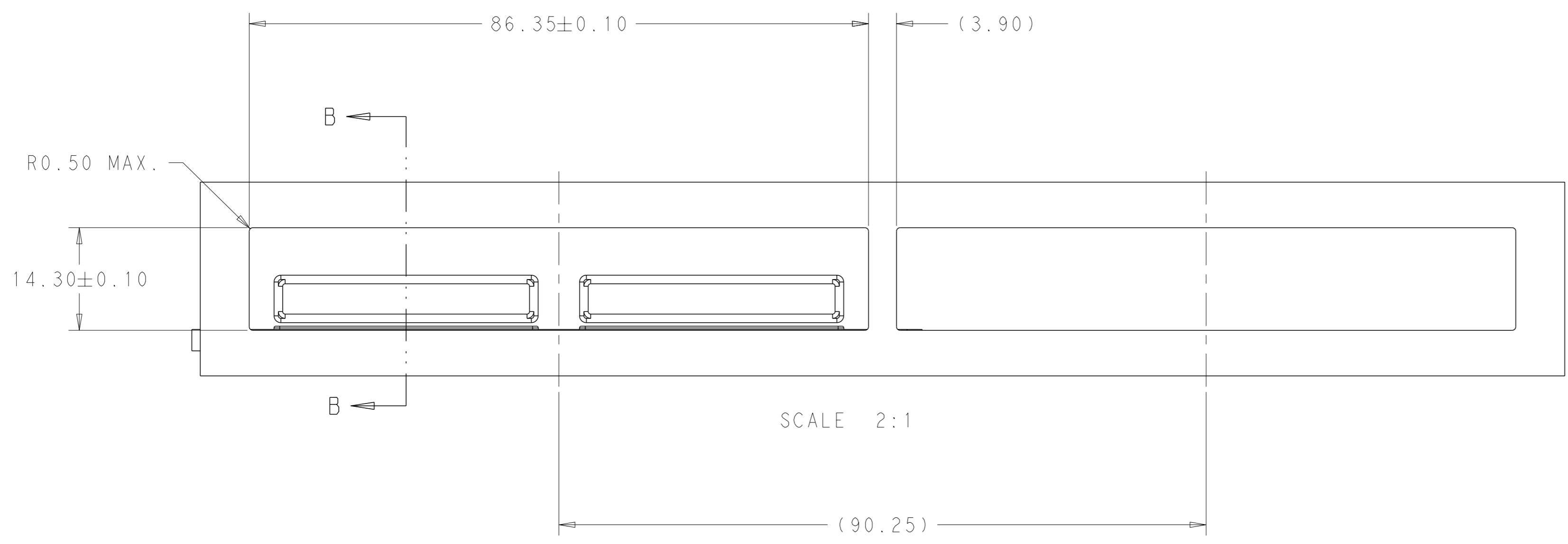


CROSS-HATCHED DENOTES COMPONENT AND TRACE KEEP-OUT AREA (EXCEPT CHASSIS GROUND)

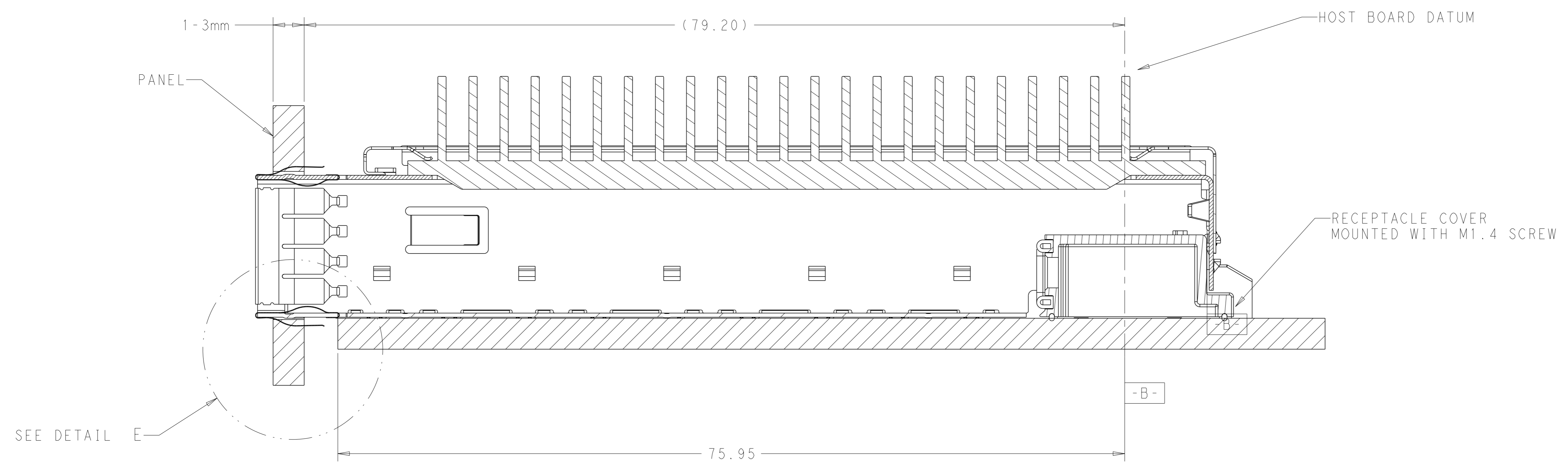
CROSS-HATCHED DENOTES COMPONENT AND TRACE KEEP-OUT AREA (EXCEPT CHASSIS GROUND) FOR NON-MYLAR TAPE APPLICATION, COMPONENT AND TRACE ARE ONLY ALLOWED FOR APPLICATION WITH MYLAR TAPE

THIS DRAWING IS A CONTROLLED DOCUMENT.		OWN: Charles Wan 31JAN2015	TE Connectivity
		CHK: Sean Han 31JAN2015	
DIMENSIONS: mm		APVD: Sean Han 31JAN2015	NAME: CFP2 HARDWARE AND RECEPTACLE ASSEMBLY, 1X2
0 PLC ± 1 PLC ±0.10 2 PLC ±0.10 3 PLC ±0.10 4 PLC ± ANGLES FINISH *		PRODUCT SPEC	RESTRICTED TO
MATERIAL		APPLICATION SPEC	SIZE: A1
		WEIGHT	CAGE CODE: -
		CUSTOMER DRAWING	SCALE: 1:1
			SHEET 6 OF 7
			REV A

LOC	DIST	REVISIONS			
GP	00	REV	DATE	OWN	APVD
-	-	SEE SHEET 1	-	-	-



DETAIL E  
 SCALE 10:1



SECTION B-B  
 SCALE 4:1

THIS DRAWING IS A CONTROLLED DOCUMENT.		OWN Charles Wan 31JAN2015	TE Connectivity
DIMENSIONS: mm		CHK Sean Han 31JAN2015	
TOLERANCES UNLESS OTHERWISE SPECIFIED:		APVD Sean Han 31JAN2015	NAME CFP2 HARDWARE AND RECEPTACLE ASSEMBLY, 1X2
0 PLC ±	1 PLC ±0.25	PRODUCT SPEC	SIZE A1
2 PLC ±0.13	3 PLC ±0.10	APPLICATION SPEC	CAGE CODE DRAWING NO. - C=2287075
4 PLC ±	ANGLES ±*	FINISH	RESTRICTED TO
MATERIAL	WEIGHT	CUSTOMER DRAWING	SCALE 1:1 SHEET 7 OF 7 REV A

## X-ON Electronics

Largest Supplier of Electrical and Electronic Components

*Click to view similar products for [I/O Connectors](#) category:*

*Click to view products by [TE Connectivity](#) manufacturer:*

Other Similar products are found below :

[571763P](#) [58098-0628](#) [72.250.1628.2](#) [72.250.2428.2](#) [74720-0505](#) [76.350.0729.0](#) [76871-1403](#) [FCN-244F080-G/1](#) [FCN-260A9920](#) [PCR-E36PM](#) [PCS-XE26MA+](#) [G38A71314B](#) [1571250010](#) [157-22500-3](#) [MS3471L14-19P L/C](#) [172501-4002](#) [172501-6002](#) [FCN-260C008-A/L0](#) [FCN-260C024-AL0](#) [FCN-261Z008](#) [2000314-1](#) [200331-1](#) [PCR-E36FC+](#) [PCS-E28FS+](#) [PCS-XE26SLFD+](#) [PCS-XE26SLFDT+](#) [G730VID08BDC24](#) [U90B2054081210](#) [38113800006](#) [DP3AR020WQ1R200](#) [Z4.102.0680.0](#) [500-1040](#) [500-1052](#) [500-1054](#) [ZP-4008-66L](#) [0709821002](#) [DX40-20P\(55\)](#) [5554841-1](#) [MS3474W18-8P-LC\\*](#) [U90B3054061110](#) [U65-E04-4020](#) [ZPF000000000097891](#) [747360449](#) [10099439-003C-TRLF](#) [10137239-0021LF](#) [E9320-001-01](#) [10137239-0011LF](#) [70289-001LF](#) [70.060.1028.0](#) [109029-ZZ](#)