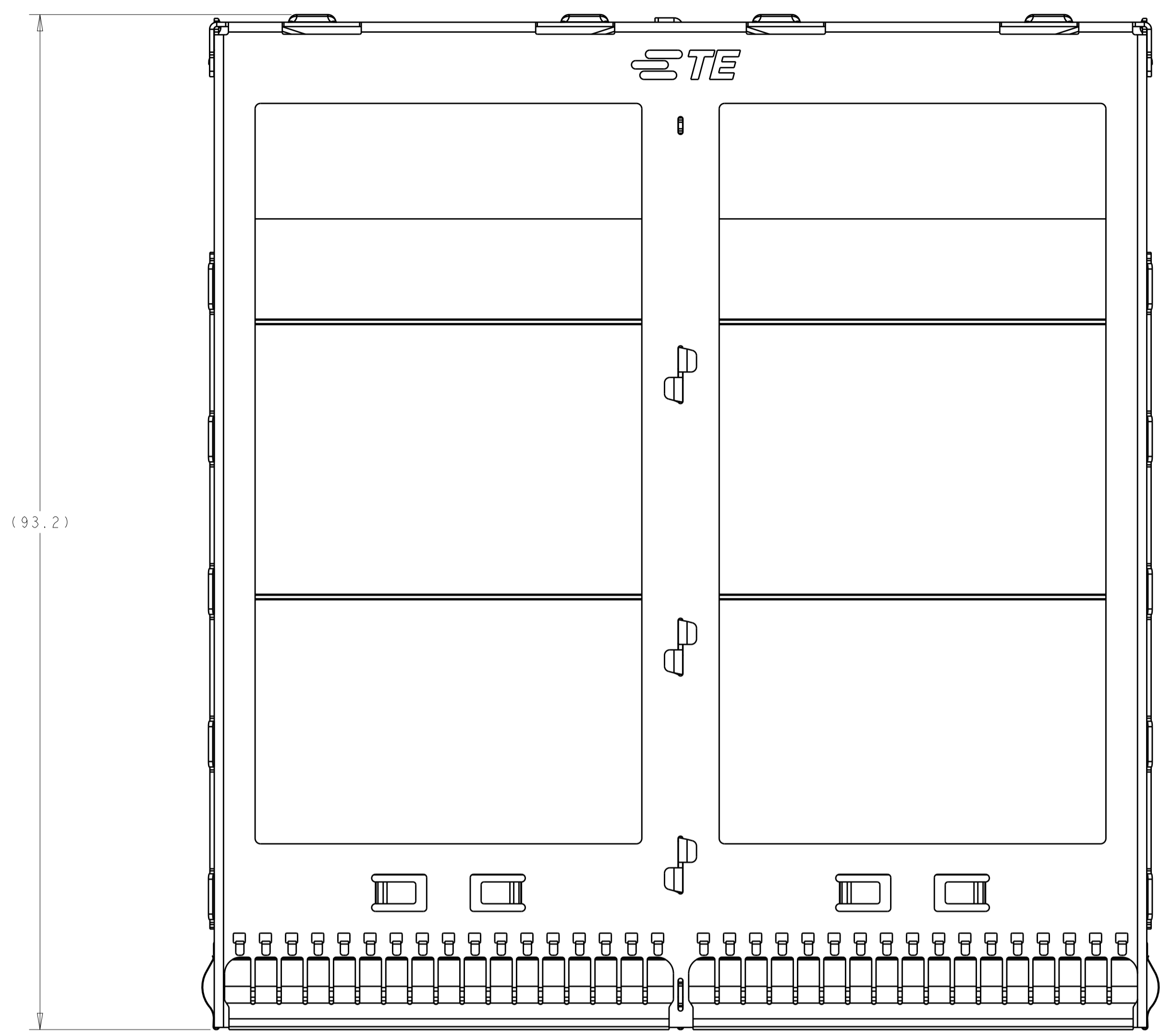
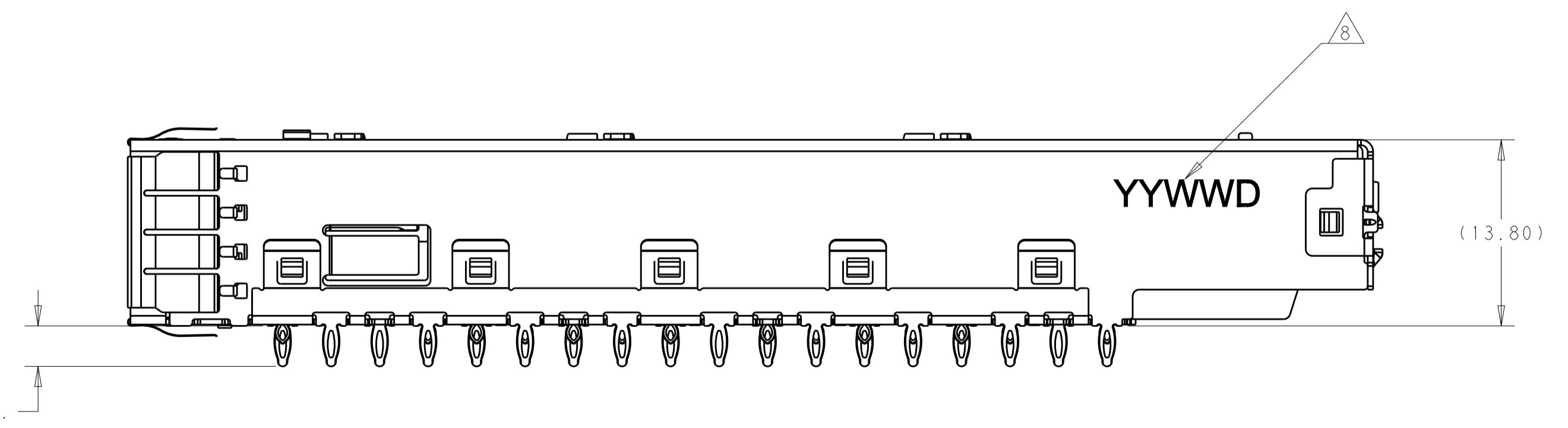
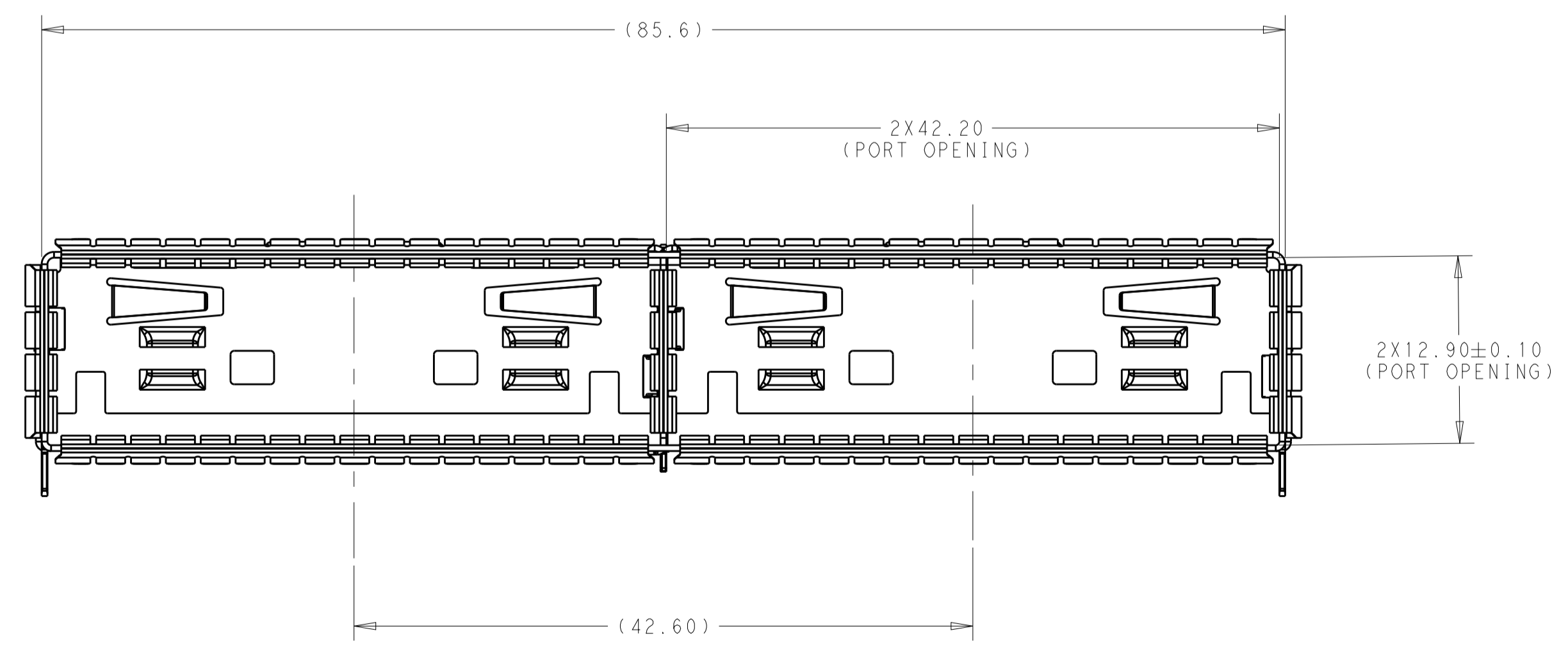
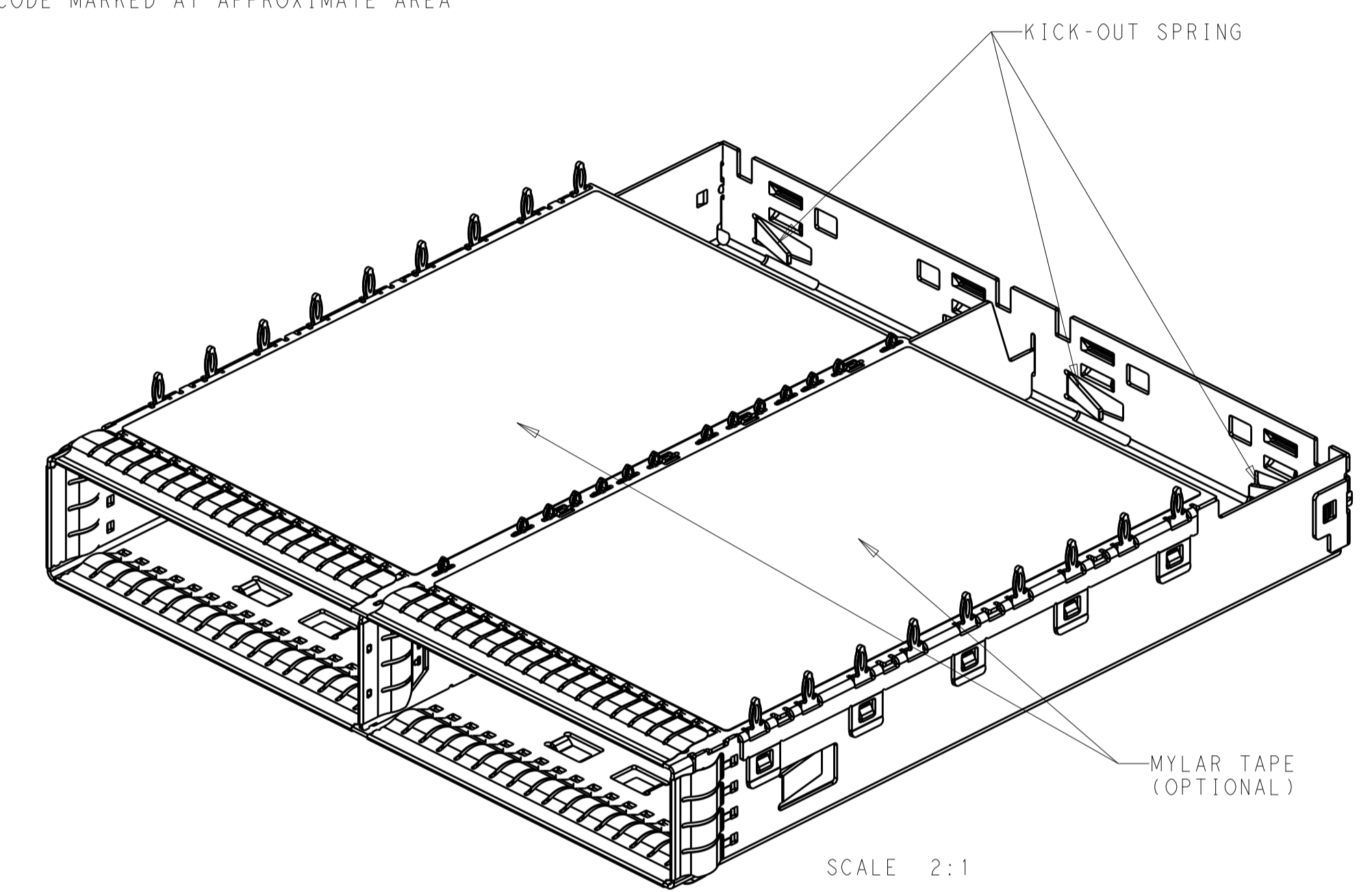


REVISIONS				
P.	LTN	DESCRIPTION	DATE	DWN APVD
A		RELEASED FOR MASS PRODUCTION	27AUG2018	TX SH



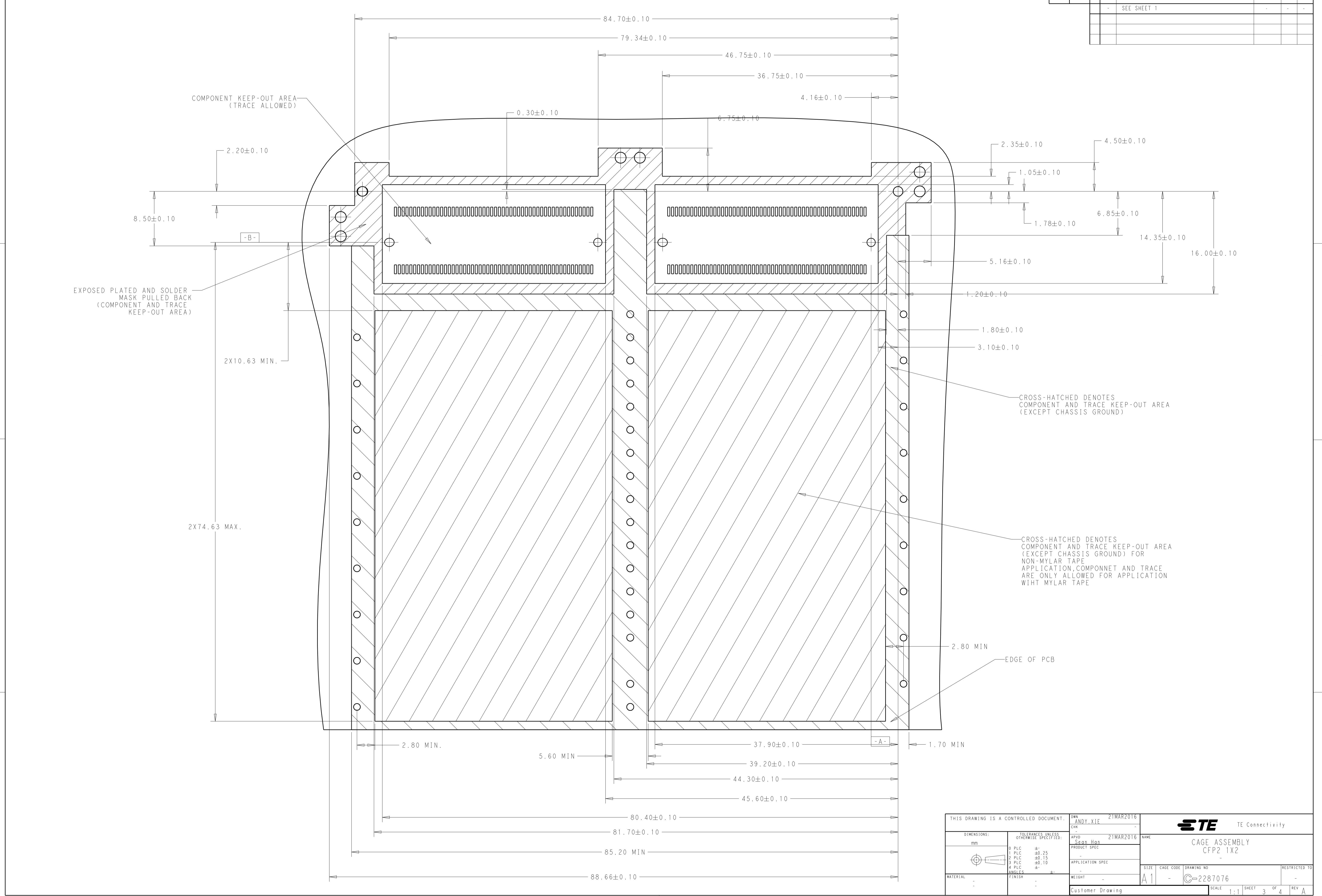
- 1 MATERIAL : CAGE :0.4MM THICK NICKEL SILVER ALLOY;
EMI SPRING: COPPER ALLOY;
- 2 FINISH: EMI SPRING 1.27um NICKEL PALTING OVER ALL;
3.MATES WITH CFP MSA COMPLIANT TRANSCEIVERS.
- 4 DATUM AND BASIC DIMENSION ESTABLISHED BY CUSTOMER.
5.MINIMUM PC BOARD THICKNESS: SIGLE SIDE APPLICATIONS:2.0mm.
BELLY TO BELLY APPLICAITON:3.0MM
- 6.PADS AND VIAS CHASSIS GROUND;
- 7:REFFERENCE APPLICATION SPEC 114-32146. FOR
RECOMMENDED DRILL HOLE DIAMETER AND PLATING THICKNESS.
- 8:DATE CODE MARKED AT APPROXIMATE AREA



WITHOUT	WITHOUT	2287076-6
WITH	WITH	2287076-4
WITH	WITHOUT	2287076-2
KICK-OUT SPRING	MYLAR TAPE	PART NUMBER

THIS DRAWING IS A CONTROLLED DOCUMENT.		DWN ANDY.XIE Z1MAR2016	TE Connectivity	
DIMENSIONS: mm		CHK -		
TOLERANCES UNLESS OTHERWISE SPECIFIED:		APVD SEAN HAN Z1MAR2016	NAME CAGE ASSEMBLY	
0 PLC	±	PRODUCT SPEC	CFP2 1X2	
1 PLC	±0.25	108-32103	-	
2 PLC	±0.15	APPLICATION SPEC	-	
3 PLC	±0.10	114-32146	-	
4 PLC	±	WEIGHT	-	
ANGLES	±	CUSTOMER DRAWING	-	
MATERIAL	-	SCALE 1:1	SHEET 1 OF 4	
FINISH	-	REV A	-	

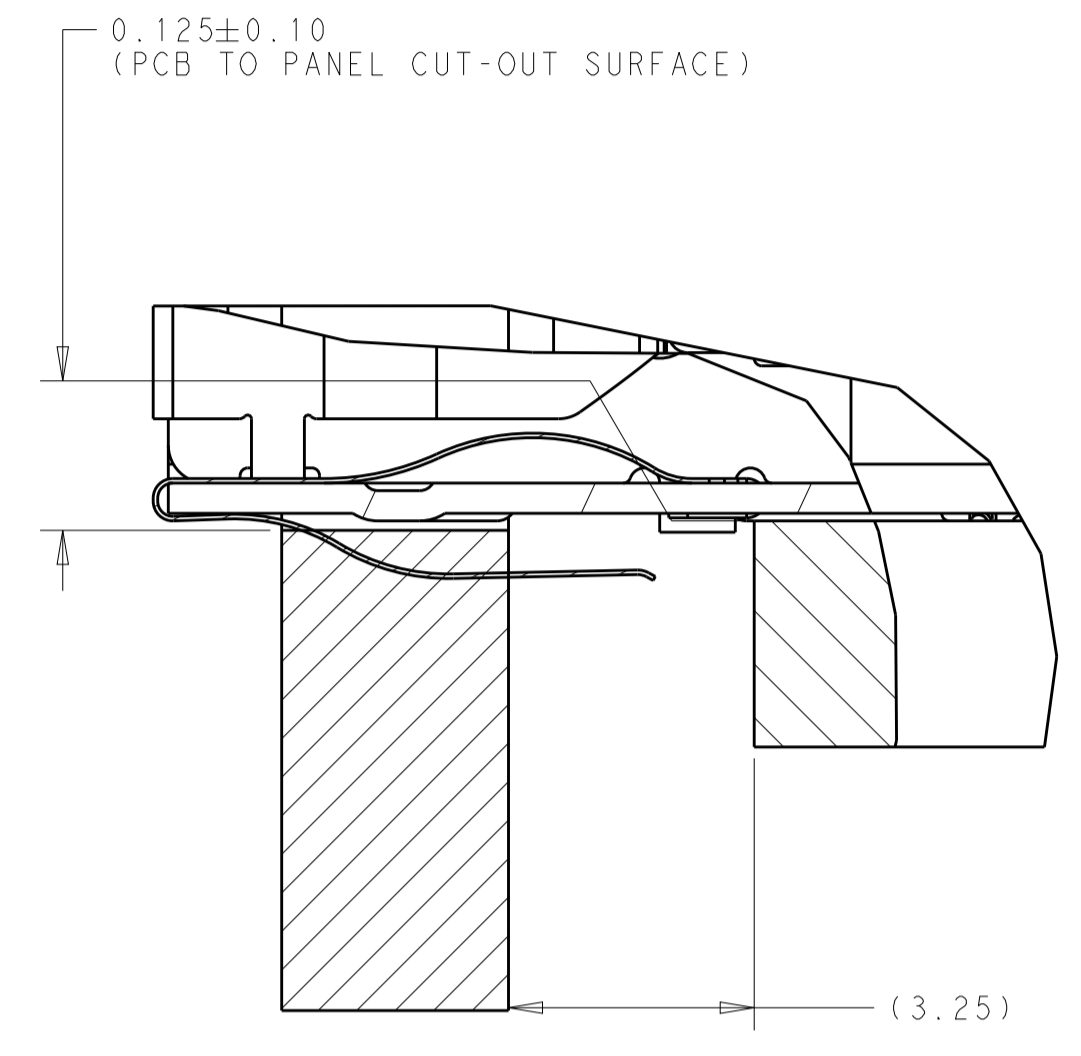
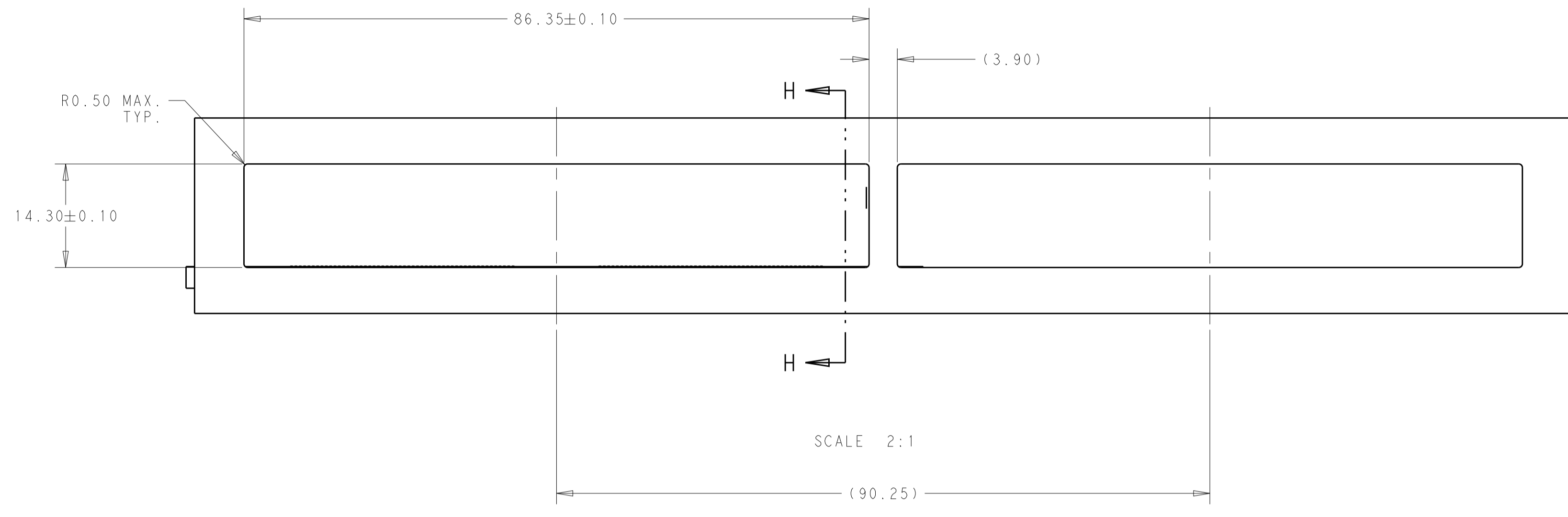
LOC		DIST		REVISIONS			
GP	00	P	LTN	DESCRIPTION	DATE	DMN	APVD
-	-	-	-	SEE SHEET 1	-	-	-



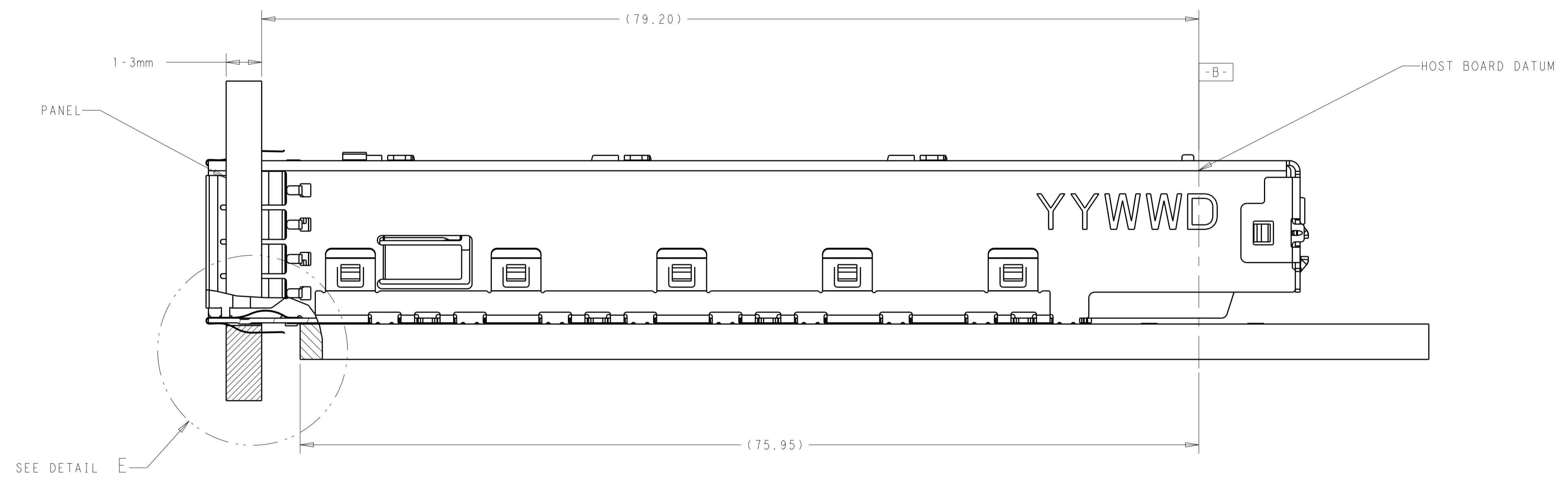
THIS DRAWING IS A CONTROLLED DOCUMENT.

DIMENSIONS:	TOLERANCES UNLESS OTHERWISE SPECIFIED:	DMN	ANDY.XIE	Z1MAR2016	TE Connectivity
mm	0 PLC ±.25 1 PLC ±0.25 2 PLC ±0.15 3 PLC ±0.10 4 PLC ±. ANGLES ±.	CHK	-	-	
MATERIAL	FINISH	APVD	Sean Han	Z1MAR2016	NAME
-	-	PRODUCT SPEC	-	-	CAGE ASSEMBLY
-	-	APPLICATION SPEC	-	-	CFP2 1X2
-	-	WEIGHT	-	-	SIZE
-	-	Customer Drawing	-	-	A1
-	-	SCALE	1:1	SHEET	3
-	-	REV	A	OF	4

LOC		DIST		REVISIONS			
GP	00	P	LTN	DESCRIPTION	DATE	DMN	APVD
-	-	-	-	SEE SHEET 1	-	-	-



DETAIL E
 SCALE 10:1



SECTION H-H
 SCALE 4:1

THIS DRAWING IS A CONTROLLED DOCUMENT.		DMN	ANDY.XIE	ZIMAR2016	TE Connectivity
DIMENSIONS:		CHK	-	-	
mm	0 PLC ±	APVD	Sean Han	ZIMAR2016	NAME
	1 PLC ±0.25	PRODUCT SPEC			CAGE ASSEMBLY
	2 PLC ±0.15	APPLICATION SPEC			CFP2 1X2
	3 PLC ±0.10				
	4 PLC ±				
MATERIAL	FINISH	WEIGHT	A1 - C=2287076		RESTRICTED TO
Customer Drawing		SCALE	1:1	SHEET 4 OF 4	REV A

X-ON Electronics

Largest Supplier of Electrical and Electronic Components

Click to view similar products for [I/O Connectors](#) category:

Click to view products by [TE Connectivity](#) manufacturer:

Other Similar products are found below :

[571763P](#) [58098-0628](#) [72.250.1628.2](#) [72.250.2428.2](#) [74720-0505](#) [76.350.0729.0](#) [76871-1403](#) [FCN-244F080-G/1](#) [FCN-260A9920](#) [PCR-E36PM](#) [PCS-XE26MA+](#) [G38A71314B](#) [1571250010](#) [157-22500-3](#) [MS3471L14-19P L/C](#) [172501-4002](#) [172501-6002](#) [FCN-260C008-A/L0](#) [FCN-260C024-AL0](#) [FCN-261Z008](#) [2000314-1](#) [200331-1](#) [PCR-E36FC+](#) [PCS-E28FS+](#) [PCS-XE26SLFD+](#) [PCS-XE26SLFDT+](#) [G730VID08BDC24](#) [U90B2054081210](#) [38113800006](#) [DP3AR020WQ1R200](#) [Z4.102.0680.0](#) [500-1040](#) [500-1052](#) [500-1054](#) [ZP-4008-66L](#) [0709821002](#) [DX40-20P\(55\)](#) [5554841-1](#) [MS3474W18-8P-LC*](#) [U90B3054061110](#) [U65-E04-4020](#) [ZPF000000000097891](#) [747360449](#) [10099439-003C-TRLF](#) [10137239-0021LF](#) [E9320-001-01](#) [10137239-0011LF](#) [70289-001LF](#) [70.060.1028.0](#) [109029-ZZ](#)