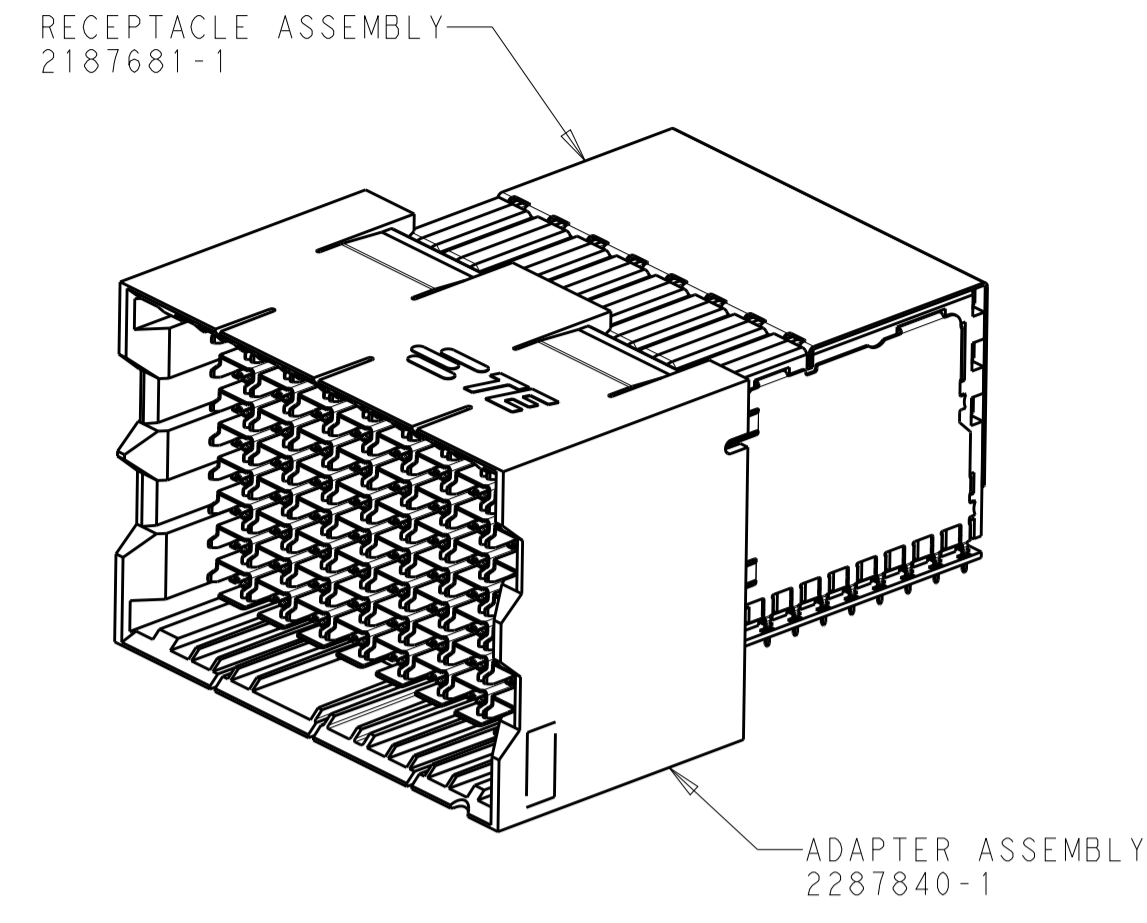
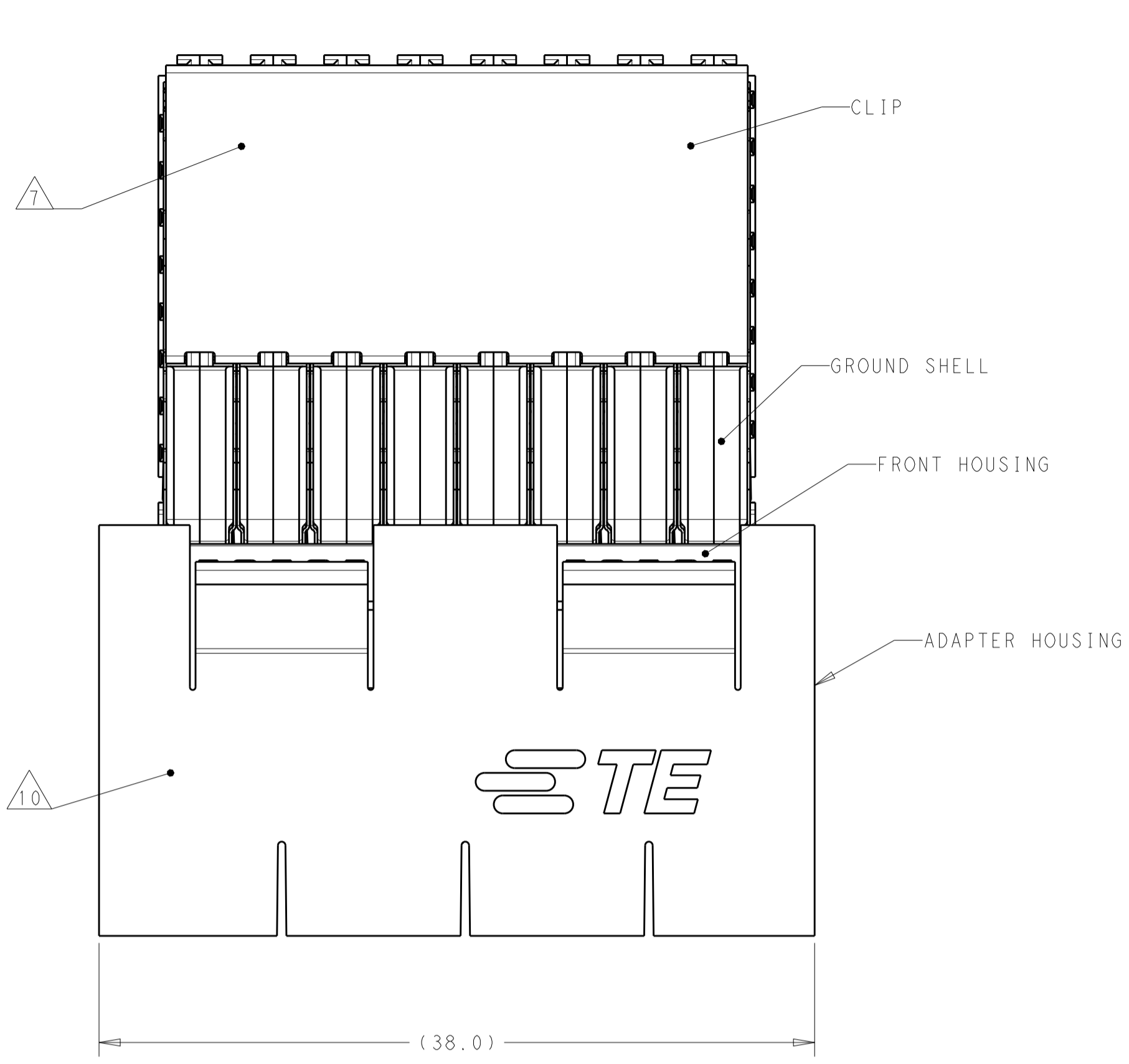
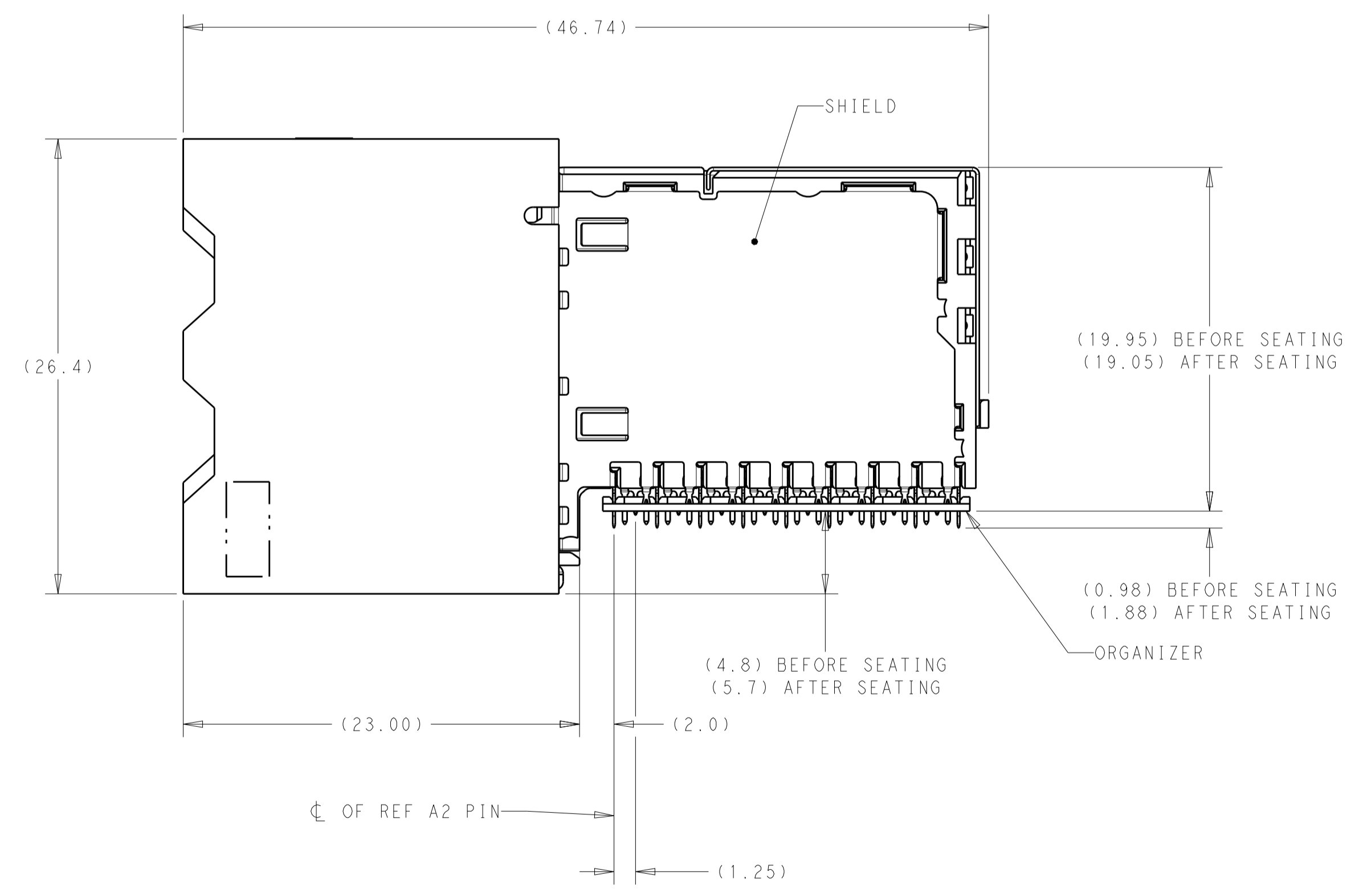
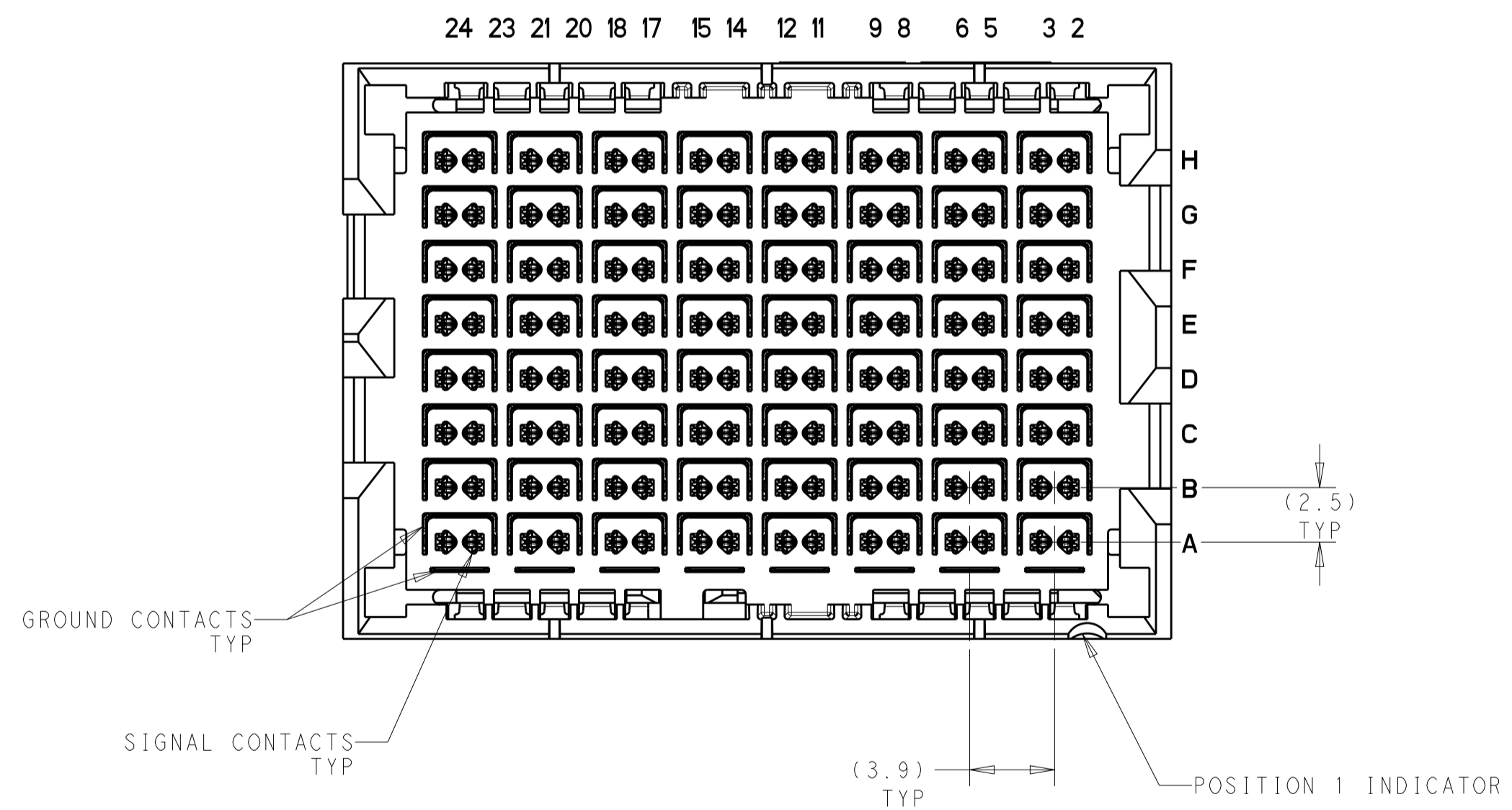


REVISIONS				
P.	LTN	DESCRIPTION	DATE	DWN APVD
1		RELEASED PER ECO-17-000464	23JAN2017	JM MH
A1		ECO-17-006000	01MAY2017	MH DS



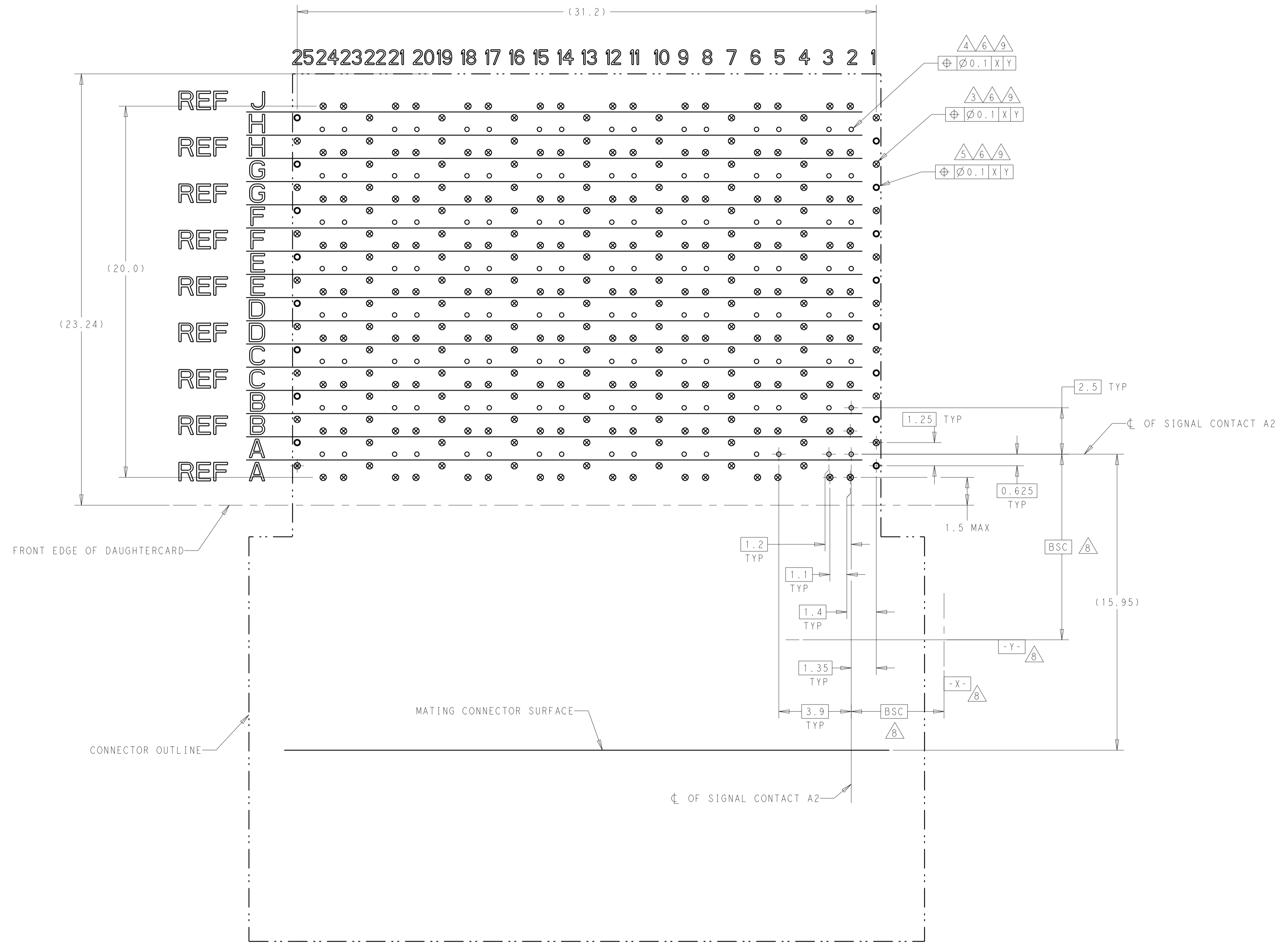
- 1 CONTACTS AND SHIELDS - COPPER ALLOY
CLIP - STAINLESS STEEL
HOUSINGS, GROUND SHELLS, AND ORGANIZER - THERMOPLASTIC, UL 94V-0, BLACK
- 2 CONFORMS TO THE REQUIREMENTS OF TE PRODUCT SPECIFICATION 108-32112
BASED ON TELCORDIA GR-1217-CORE FOR SYSTEM QUALITY LEVEL III,
APPLICATIONS IN CONTROLLED ENVIRONMENTS (CENTRAL OFFICE).
COMPLIANT PIN AREA: 0.5µm MIN MATTE TIN.
- 3 GROUND PLATED THRU HOLE REQUIREMENTS:
FINISHED HOLE = $\varnothing 0.37 \pm 0.05$
HOLE SIZE PRIOR TO PLATING = $\varnothing 0.450 \pm 0.025$
COPPER THICKNESS = 0.025 MIN
IMMERSION TIN IF APPLICABLE = (0.00095)
- 4 SIGNAL PLATED THRU HOLE REQUIREMENTS:
FINISHED HOLE = $\varnothing 0.29 \pm 0.05$
HOLE SIZE PRIOR TO PLATING = $\varnothing 0.368 \pm 0.025$ (#79 DRILL)
COPPER THICKNESS = 0.025 MIN
IMMERSION TIN IF APPLICABLE = (0.00095)
- 5 SI VIA PLATED THRU HOLE REQUIREMENTS:
FINISHED HOLE = ($\varnothing 0.22$)
HOLE SIZE PRIOR TO PLATING = $\varnothing 0.300 \pm 0.025$
COPPER THICKNESS = 0.025 MIN
IMMERSION TIN IF APPLICABLE = (0.00095)
- 6 SI VIAS & SIGNAL HOLES:
PTH DIMENSIONS APPLY TO THE TOP 1.00mm OF THE PCB THICKNESS FROM THE
CONNECTOR MOUNTING SIDE.
GROUND HOLES:
PTH DIMENSIONS APPLY TO THE TOP 1.25mm OF THE PCB THICKNESS FROM THE
CONNECTOR MOUNTING SIDE.
- 7 CONNECTOR MARKED WITH PART NUMBER, DATE CODE, AND "85 OHM" IN
APPROXIMATE AREA SHOWN.
- 8 DATUMS AND BASIC DIMENSIONS ESTABLISHED BY CUSTOMER
- 9 APPLIES TO FINISHED HOLE DIAMETER.
- 10 CONNECTOR MARKED WITH ASSEMBLY PART NUMBER, DATE CODE, AND "85 OHM"
IN APPROXIMATE AREA SHOWN.



2287841-1
PART NUMBER

THIS DRAWING IS A CONTROLLED DOCUMENT.		DWN J. McCLINTON 26SEP2014	TE Connectivity
DIMENSIONS: mm		CHK J. McCLELLAN 26SEP2014	
TOLERANCES UNLESS OTHERWISE SPECIFIED:		APVD J. McCLELLAN 26SEP2014	NAME RIGHT ANGLE ADAPTER ASSEMBLY, 8 PAIR 8 COLUMN, 85 OHM DPO, STRADA WHISPER
0 PLC ± 1 PLC ±0.13 2 PLC ± 3 PLC ± 4 PLC ± ANGLES ± FINISH		PRODUCT SPEC 2	
MATERIAL		APPLICATION SPEC	RESTRICTED TO
FINISH		SIZE CAGE CODE DRAWING NO	A1
CUSTOMER DRAWING		WEIGHT	SCALE 4:1 SHEET 1 OF 2 REV A1

REVISIONS				
P.	LTN	DESCRIPTION	DATE	APVD
-	-	SEE SHEET 1	-	-



RECOMMENDED PCB LAYOUT
 SINGLE CONNECTOR (NON-STACKING)
 COMPONENT SIDE SHOWN
 SCALE 8:1

- = SIGNAL
- ⊗ = GROUND
- ⊙ = SIGNAL INTEGRITY VIA TO GROUND

THIS DRAWING IS A CONTROLLED DOCUMENT.		OWN J. McCLINTON 26SEP2014	TE Connectivity		
DIMENSIONS:		CHK J. McCLELLAN 26SEP2014			
mm		APVD J. McCLELLAN 26SEP2014			
0 PLC ± 1 PLC ± 2 PLC ±0.13 3 PLC ± 4 PLC ± ANGLES ±		TOLERANCES UNLESS OTHERWISE SPECIFIED: PRODUCT SPEC APPLICATION SPEC	NAME RIGHT ANGLE ADAPTER ASSEMBLY, 8 PAIR 8 COLUMN, 85 OHM DPO, STRADA WHISPER		
MATERIAL		WEIGHT	SIZE A1	CAGE CODE C=2287841	RESTRICTED TO
FINISH		CUSTOMER DRAWING	SCALE 1:1	SHEET 2 OF 2	REV A1

X-ON Electronics

Largest Supplier of Electrical and Electronic Components

Click to view similar products for [High Speed/Modular Connectors](#) category:

Click to view products by [TE Connectivity](#) manufacturer:

Other Similar products are found below :

[650827-1](#) [74040-1346](#) [1410191-1](#) [1410368-3](#) [1410964-2](#) [1410326-3](#) [1410367-3](#) [1410971-4](#) [1467833-1](#) [2000877-1](#) [2000878-1](#) [2041314-1](#)
[2065387-1](#) [2187307-1](#) [163P](#) [1934290-1](#) [2000875-1](#) [2065917-1](#) [2102736-2](#) [FSR-40](#) [2169868-2](#) [22354-8](#) [437-5040-000](#) [5-1393565-0](#) [039-](#)
[0246-000](#) [0740618502](#) [0761601016](#) [0784461022](#) [10123159-12ELF](#) [030-2415-003/100 PK](#) [030-7380-004](#) [030-2494-001](#) [532939-1](#) [5532901-](#)
[3](#) [3-1469268-7](#) [74748-102LF](#) [10041743-101LF](#) [10066670-100002LF](#) [1-533915-1](#) [249-4515-000](#) [7-1469373-3](#) [DL2-2J/S](#) [2000713-8](#)
[2000713-7](#) [10124313-101LF](#) [3011-21](#) [757105208](#) [430305-001](#) [4395800100](#) [8140115](#)