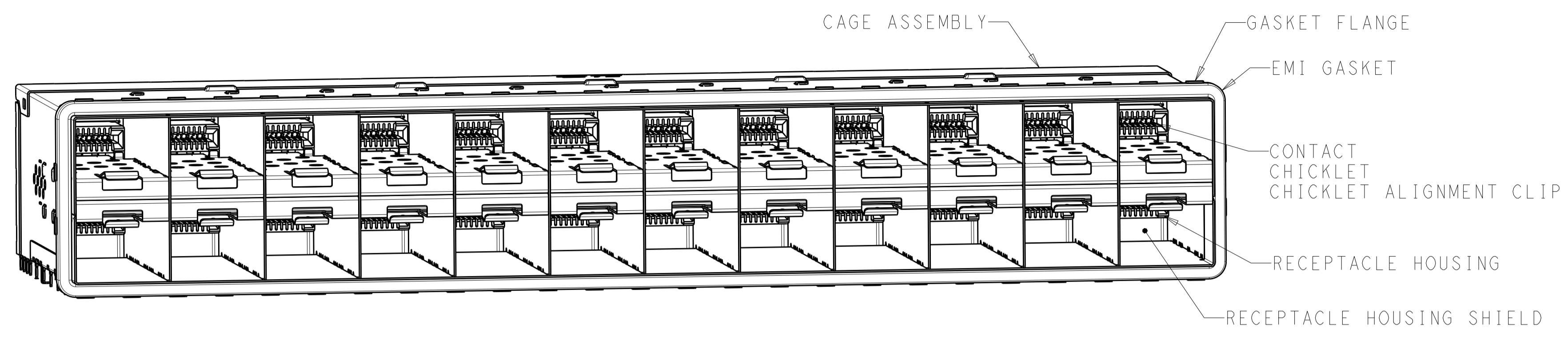
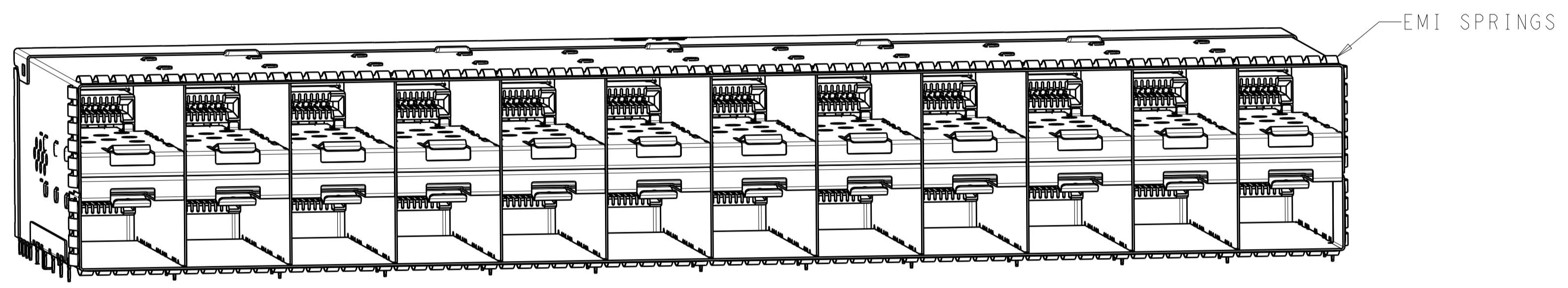


LOC	DIST	REVISIONS					
GP	00	P	LTN	DESCRIPTION	DATE	DWN	APVD
		1		INITIAL RELEASE	26JAN2015	MS	PAR
		A		MASS PRODUCTION	20DEC2015	PP	SH

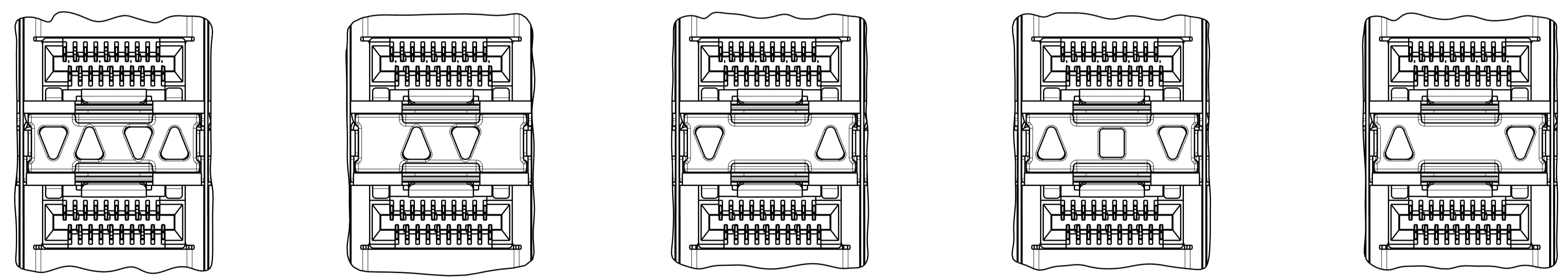


2288172-1



2288172-5

- MATERIALS:**
 CAGE ASSEMBLY - NICKEL-SILVER ALLOY PER ASTM B 122
 RECEPTACLE HOUSING - LCP, BLACK, UL 94V-0 RATED
 RECEPTACLE HOUSING SHIELD - COPPER ALLOY
 CHICKLET - LCP, BLACK, UL 94V-0 RATED
 CHICKLET ALIGNMENT CLIP - PBT
 CONTACT - COPPER ALLOY
 EMI GASKET - ELASTOMERIC
 GASKET FLANGE - STAINLESS STEEL
 LIGHT PIPE - POLYCARBONATE
 LIGHT PIPE HOUSING - ZINC ALLOY
 EMI SPRINGS - PHOSPHOR BRONZE PER ASTM B103
- CONTACT FINISH:**
 CONFORMS TO THE REQUIREMENTS OF TYCO ELECTRONICS
 PRODUCT SPECIFICATION 108-2481, BASED ON EIA/ECA-364-1000.01A,
 (CONTROLLED ENVIRONMENT APPLICATIONS) ON MATING INTERFACE,
 TIN ON NEEDLE EYE
- PCB MINIMUM THICKNESS = 1.5mm**
- FOR HOLE SIZE AND PLATINGS,**
 SEE APPLICATION SPECIFICATION 114-13319
- LIGHT PIPE PAD LAYOUT IS FOR 0805 LOW PROFILE**
 LED PACKAGE WITH A HEIGHT OF 0.8mm
- THE ENTIRE AREA OF THE CONNECTOR FOOTPRINT, INDICATED BY THE**
 DASHED LINE, TO BE CONSIDERED THE KEEPOUT AREA FOR COMPONENTS
 AND SIGNAL TRACES, TOP SIDE ONLY, TOP SIDE TRACES ALLOWED
 WITHIN CONNECTOR HOLE PATTERN
- DIMENSION APPLIES FROM EMI SPRINGS ONLY.**



INNER/OUTER LIGHT PIPE
 2288172-2, 2288172-6
 SCALE 4:1

INNER LIGHT PIPE
 2288172-3, 2288172-7
 SCALE 4:1

OUTER LIGHT PIPE
 2288172-4, 2288172-8
 SCALE 4:1

CENTER/REVERSED OUTER
 1-2288172-7, 1-2288172-9
 SCALE 4:1

REVERSED OUTER
 1-2288172-8, 2-2288172-0
 SCALE 4:1

173.5	EMI SPRINGS	REVERSED OUTER	2-2288172-0
		CENTER/REVERSED OUTER	1-2288172-9
176.25	EMI GASKET	REVERSED OUTER	1-2288172-8
		CENTER/REVERSED OUTER	1-2288172-7
173.5	EMI SPRINGS	OUTER	2288172-8
		INNER	2288172-7
		INNER/OUTER	2288172-6
176.25	EMI GASKET	NONE	2288172-5
		OUTER	2288172-4
		INNER	2288172-3
		INNER/OUTER	2288172-2
		NONE	2288172-1
(E)	CAGE TYPE	LIGHT PIPE CONFIGURATION	PART NUMBER

THIS DRAWING IS A CONTROLLED DOCUMENT. DIMENSIONING AND TOLERANCING PER ASME Y14.5M-2009. TOLERANCES UNLESS OTHERWISE SPECIFIED:

DIMENSIONS:	mm	0 PLC ±0.10	1 PLC ±0.10	2 PLC ±0.10	3 PLC ±0.10	4 PLC ±0.10	ANGLES ±°	FINISH
-------------	----	-------------	-------------	-------------	-------------	-------------	-----------	--------

SEE NOTES

APVD	DATE	NAME
M. SHIRK	26JAN2015	
P. RECCE	26JAN2015	

PRODUCT SPEC: 108-2431
 APPLICATION SPEC: 114-13319

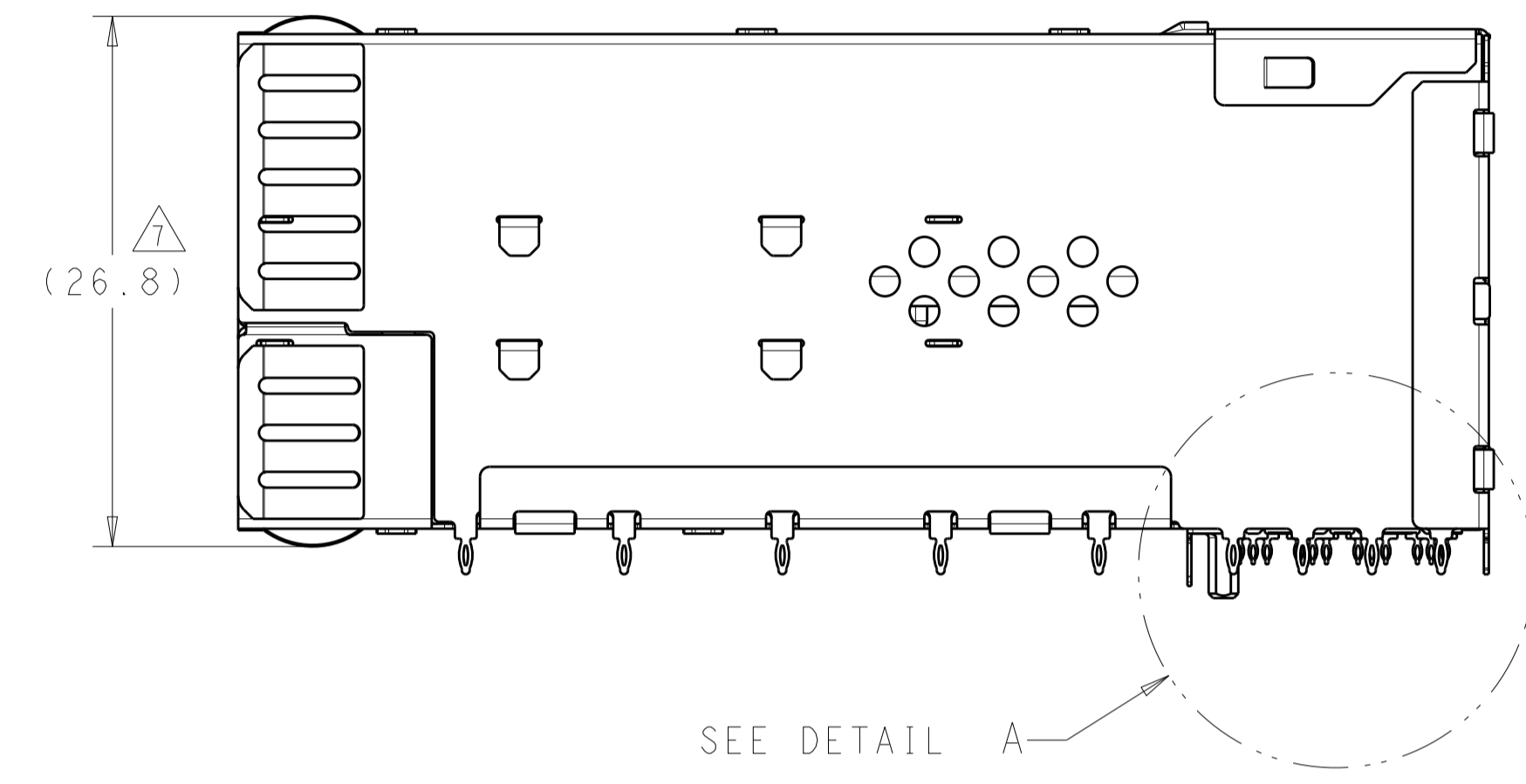
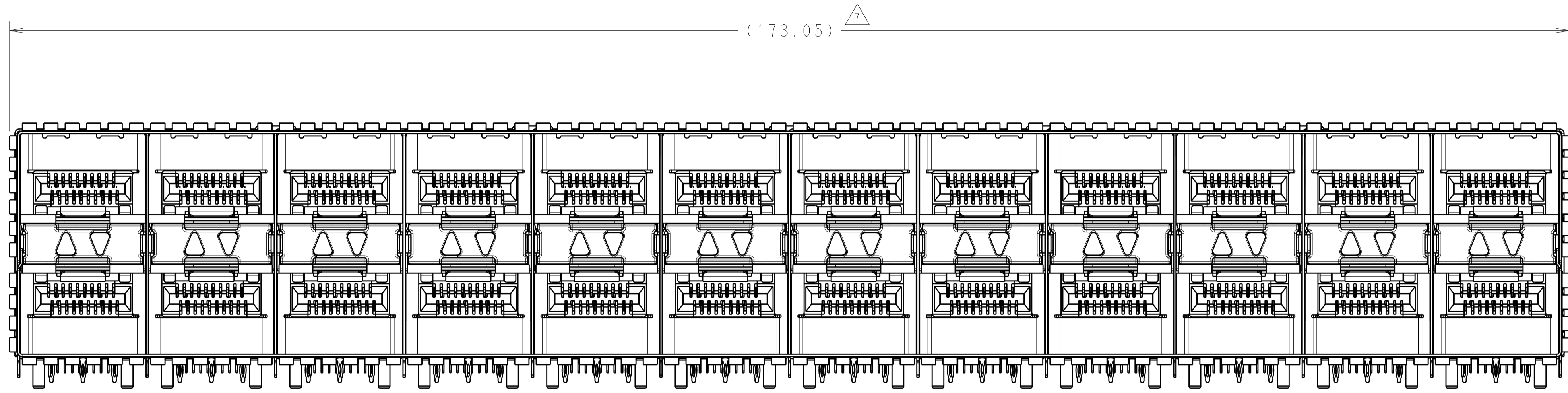
SIZE: A1
 CAGE CODE: 00779
 DRAWING NO: 2288172

RESTRICTED TO: A

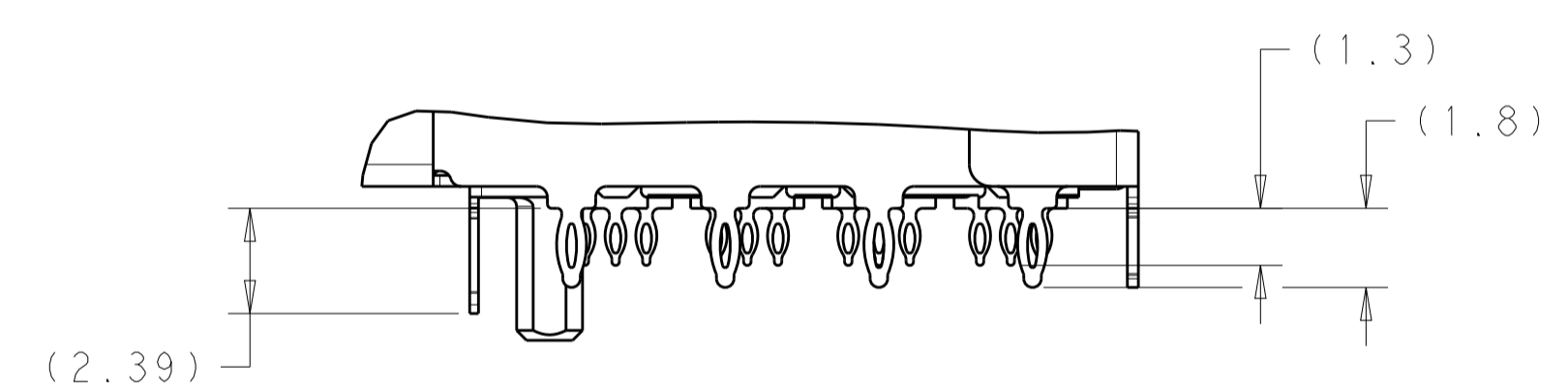
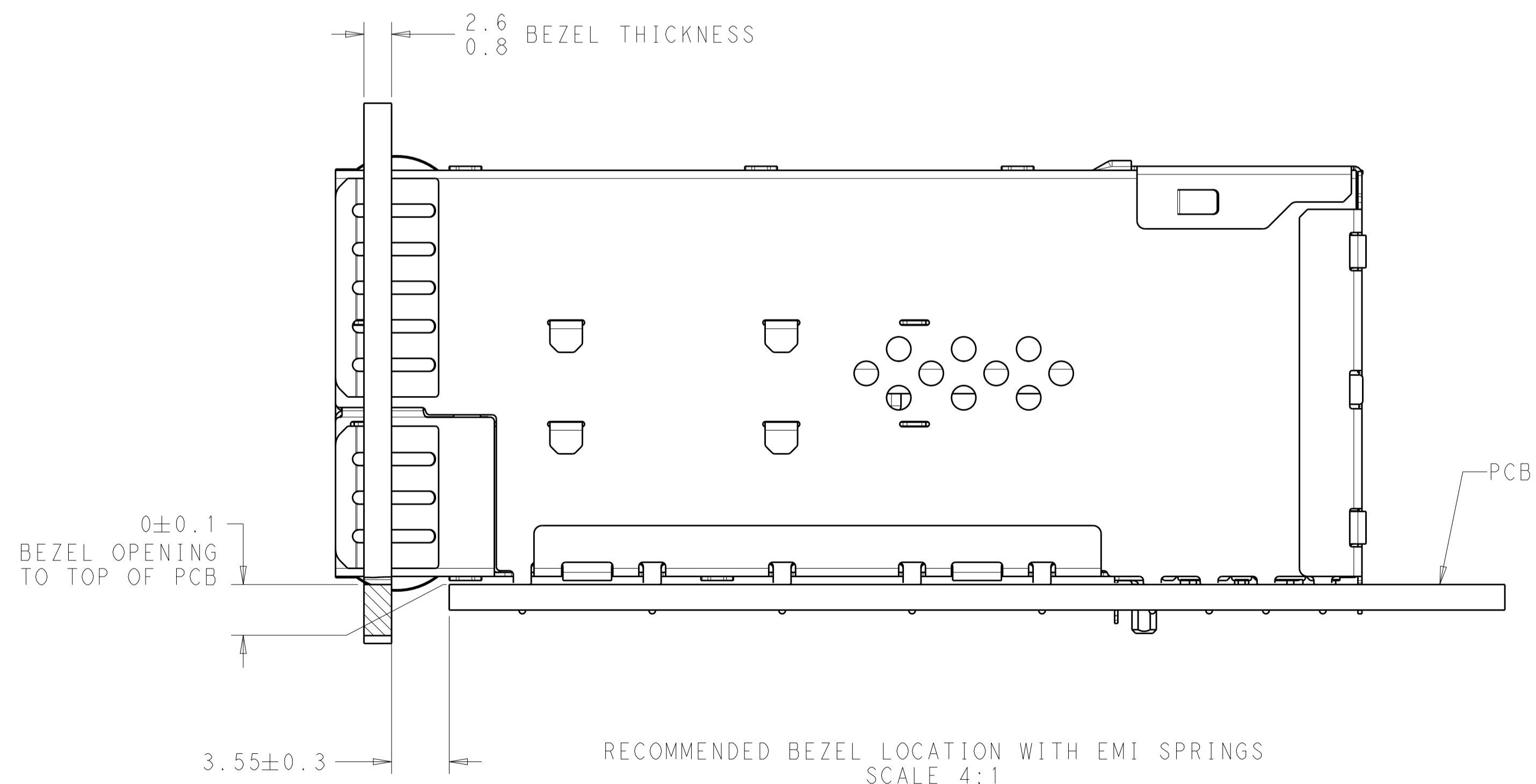
CUSTOMER DRAWING

SCALE: 2:1 SHEET: 1 OF 5 REV: A

LOC	DIST	REVISIONS					
GP	00	P	LYR	DESCRIPTION	DATE	DWN	APVD
		-		SEE SHEET 1			



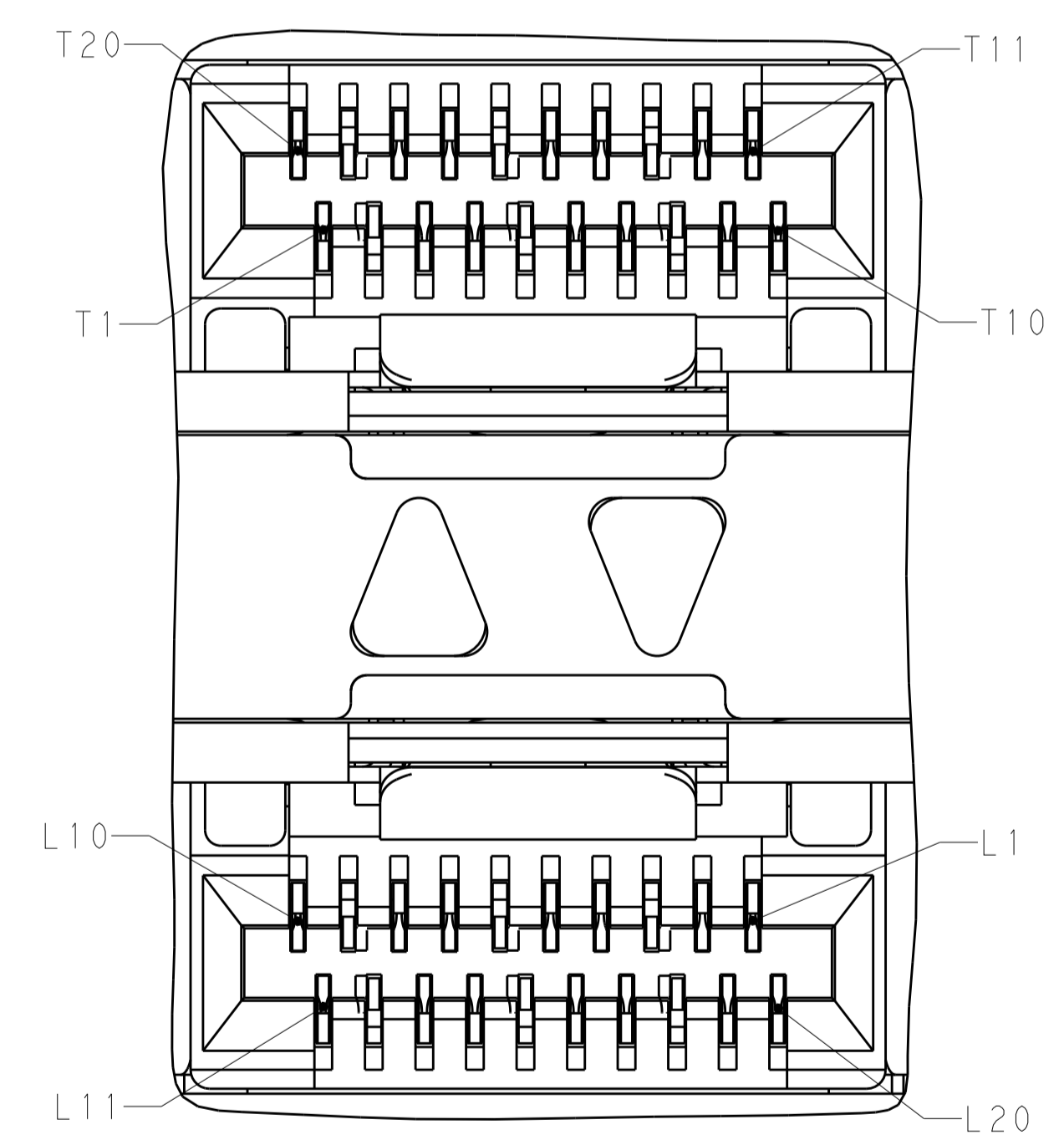
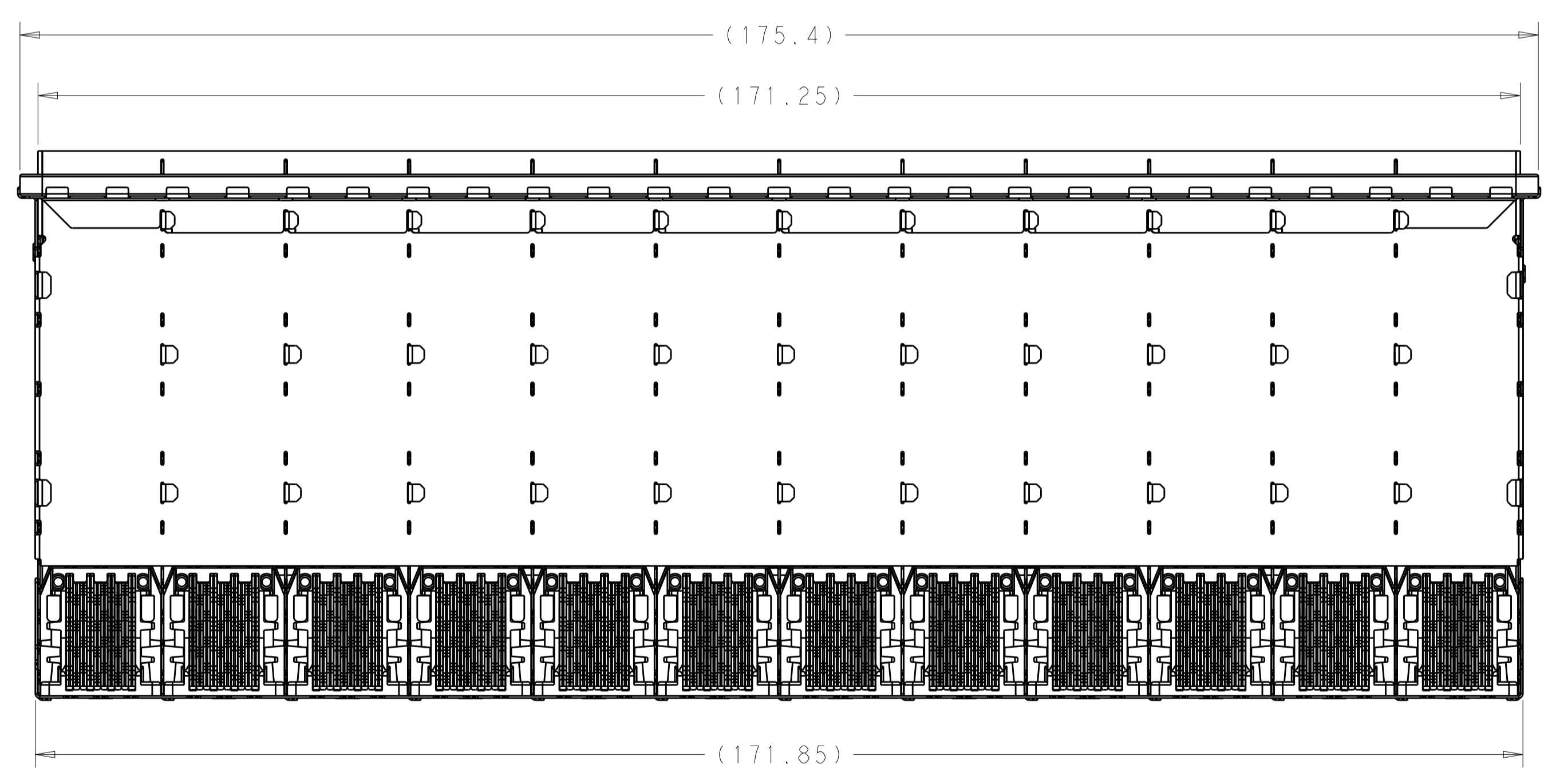
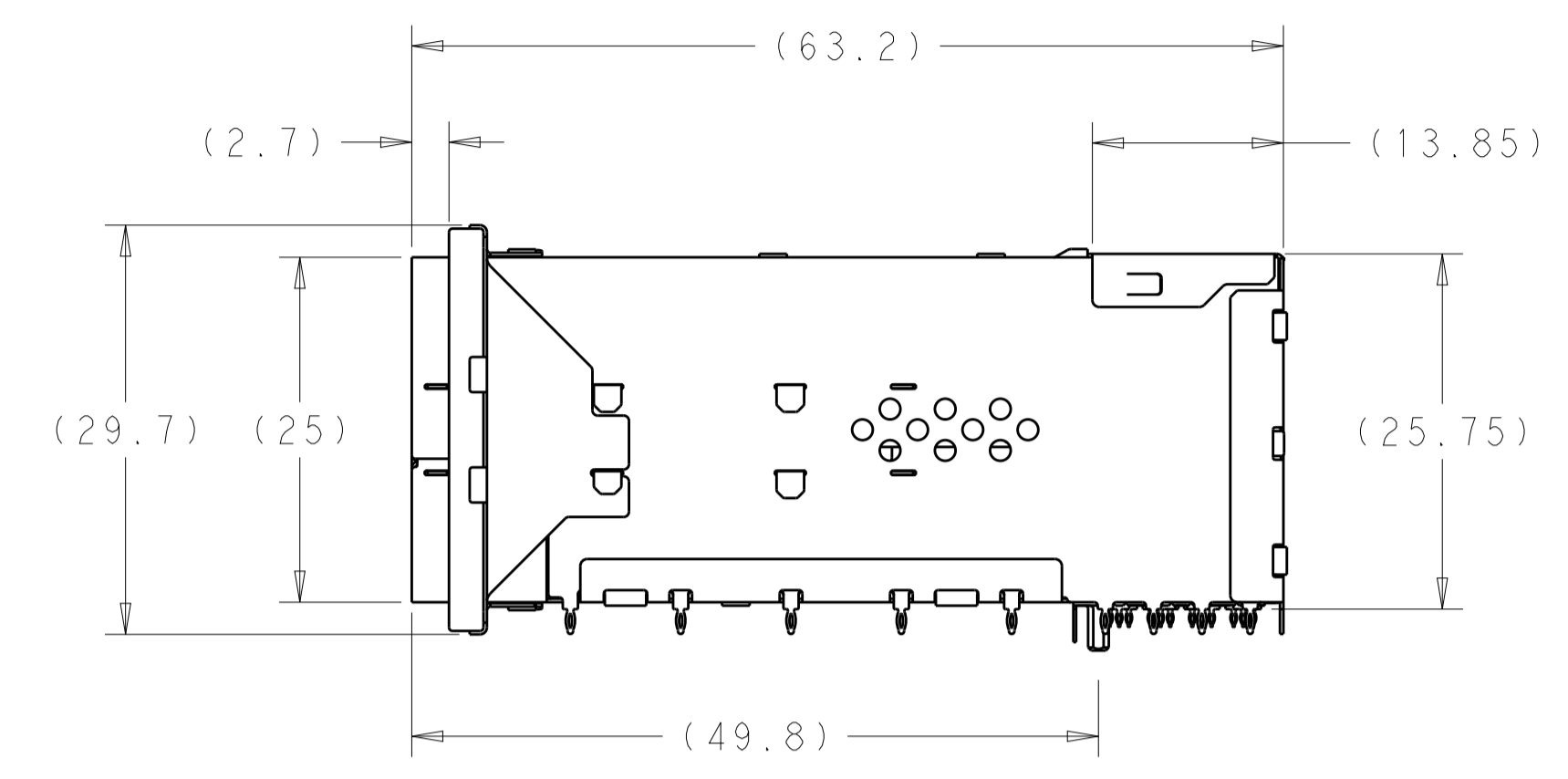
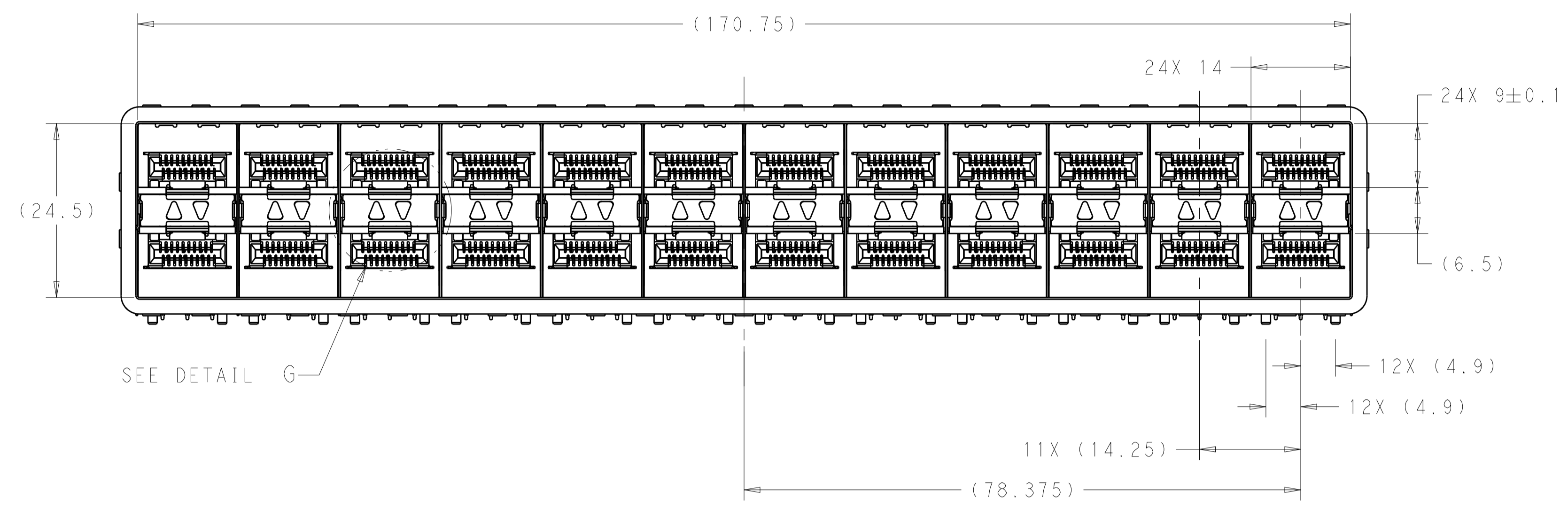
2288172-7
 EMI SPRINGS ONLY
 SCALE 3:1



DETAIL A
 SCALE 6:1

THIS DRAWING IS A CONTROLLED DOCUMENT.		DWN: M. SHIRK 26JAN2015	TE Connectivity
		CHK: P. RECCE 26JAN2015	
DIMENSIONS:	TOLERANCES UNLESS OTHERWISE SPECIFIED:	APVD:	NAME: RECEPTACLE ASSEMBLY, 2X12, STACKED, zSFP+
mm	0 PLC ±0.10	PRODUCT SPEC	SIZE: CAGE CODE DRAWING NO
	1 PLC ±0.10	108-2431	A100779C=2288172
	2 PLC ±0.10	APPLICATION SPEC	RESTRICTED TO
	3 PLC ±0.10	114-13319	
	4 PLC ±	WEIGHT	
	ANGLES	FINISH	
MATERIAL	SEE NOTES	CUSTOMER DRAWING	SCALE 2:1 SHEET 2 OF 5 REV A

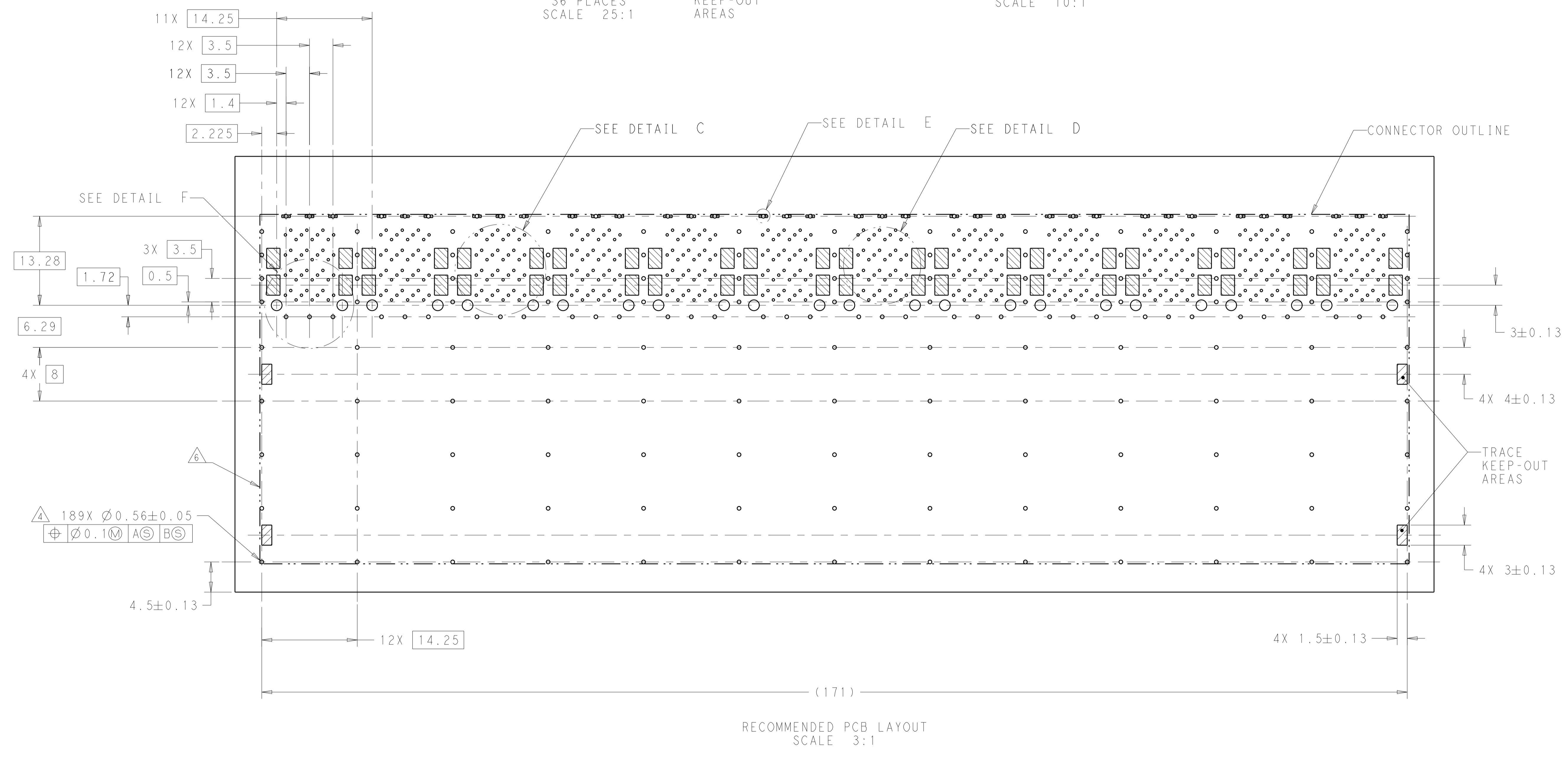
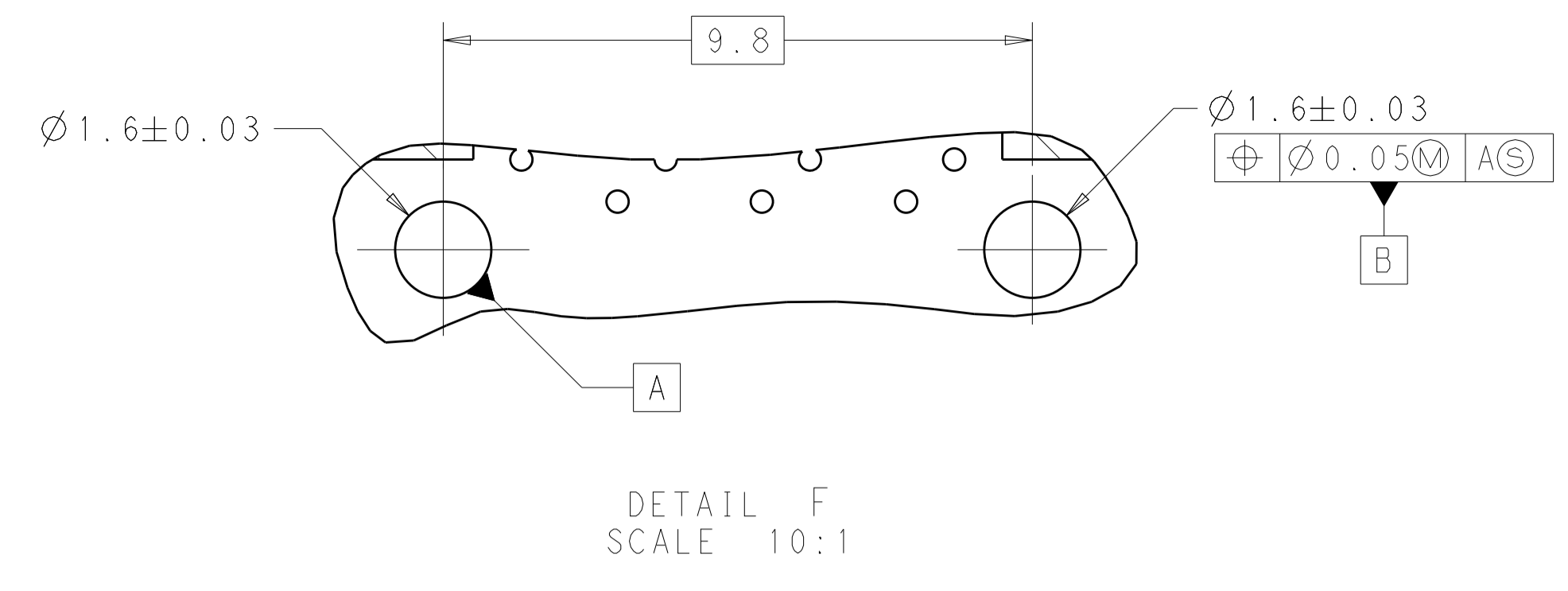
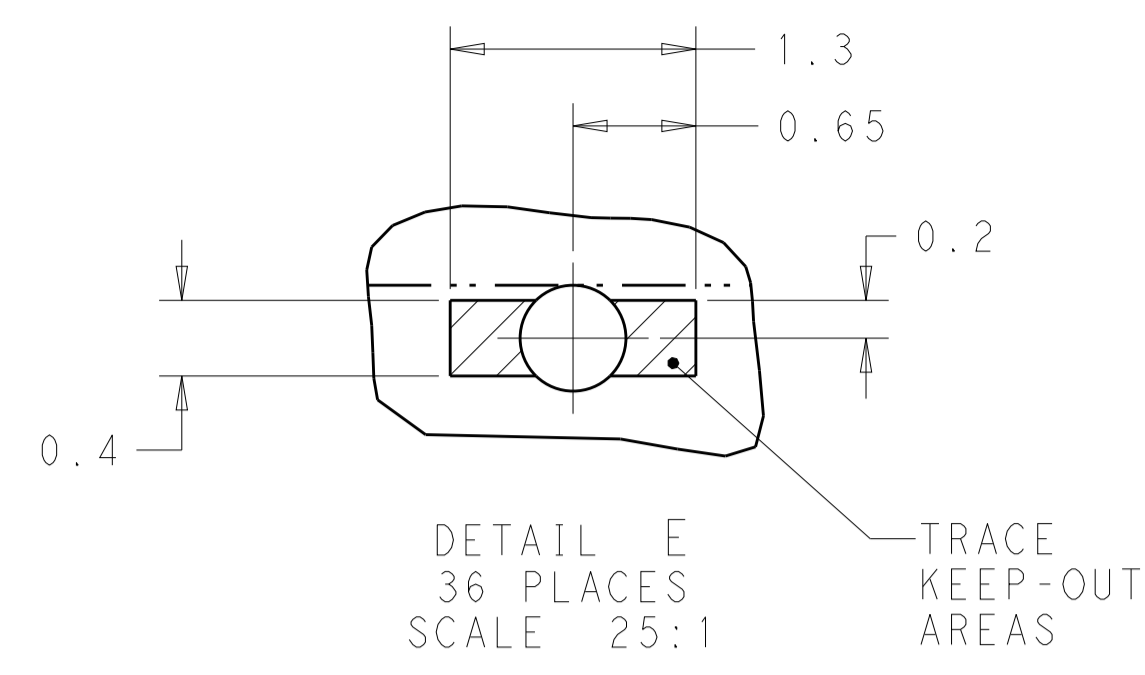
LOC		DIST		REVISIONS			
GP	00	P	LTN	DESCRIPTION	DATE	DWN	APVD
		-		SEE SHEET 1			



DETAIL G
 12X INDIVIDUALLY
 STACKED, zSFP+
 SCALE 10:1

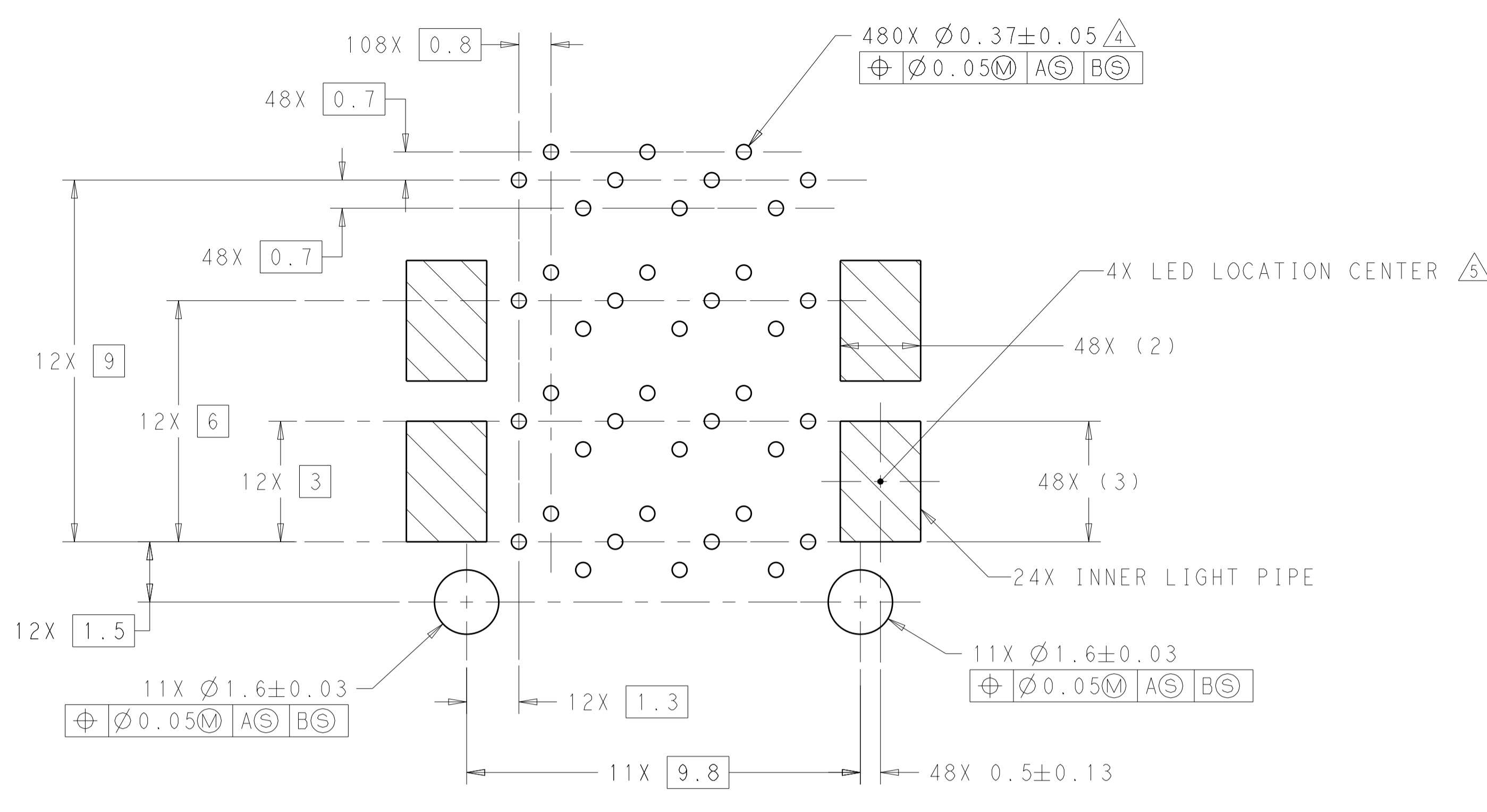
THIS DRAWING IS A CONTROLLED DOCUMENT. DIMENSIONING AND TOLERANCING PER ASME Y14.5M-2009.		DWN: M. SHIRK 26JAN2015 CHK: P. RECCE 26JAN2015 APVD: -	TE Connectivity RECEPTACLE ASSEMBLY, 2X12, STACKED, zSFP+
DIMENSIONS: mm	TOLERANCES UNLESS OTHERWISE SPECIFIED: 0 PLC ± 0.10 1 PLC ± 0.10 2 PLC ± 0.10 3 PLC ± 0.10 4 PLC ± 0.10 ANGLES \pm FINISH \pm	PRODUCT SPEC: 108-2431 APPLICATION SPEC: 114-13319 WEIGHT: - CUSTOMER DRAWING	
MATERIAL: SEE NOTES	SEE NOTES	SIZE: A100779 CAGE CODE: C=2288172 SCALE: 2:1 SHEET: 3 OF 5 REV: A	RESTRICTED TO: -

LOC		DIST		REVISIONS			
GP	00	P	LTN	DESCRIPTION	DATE	DMN	APVD
		-	-	SEE SHEET 1	-	-	-

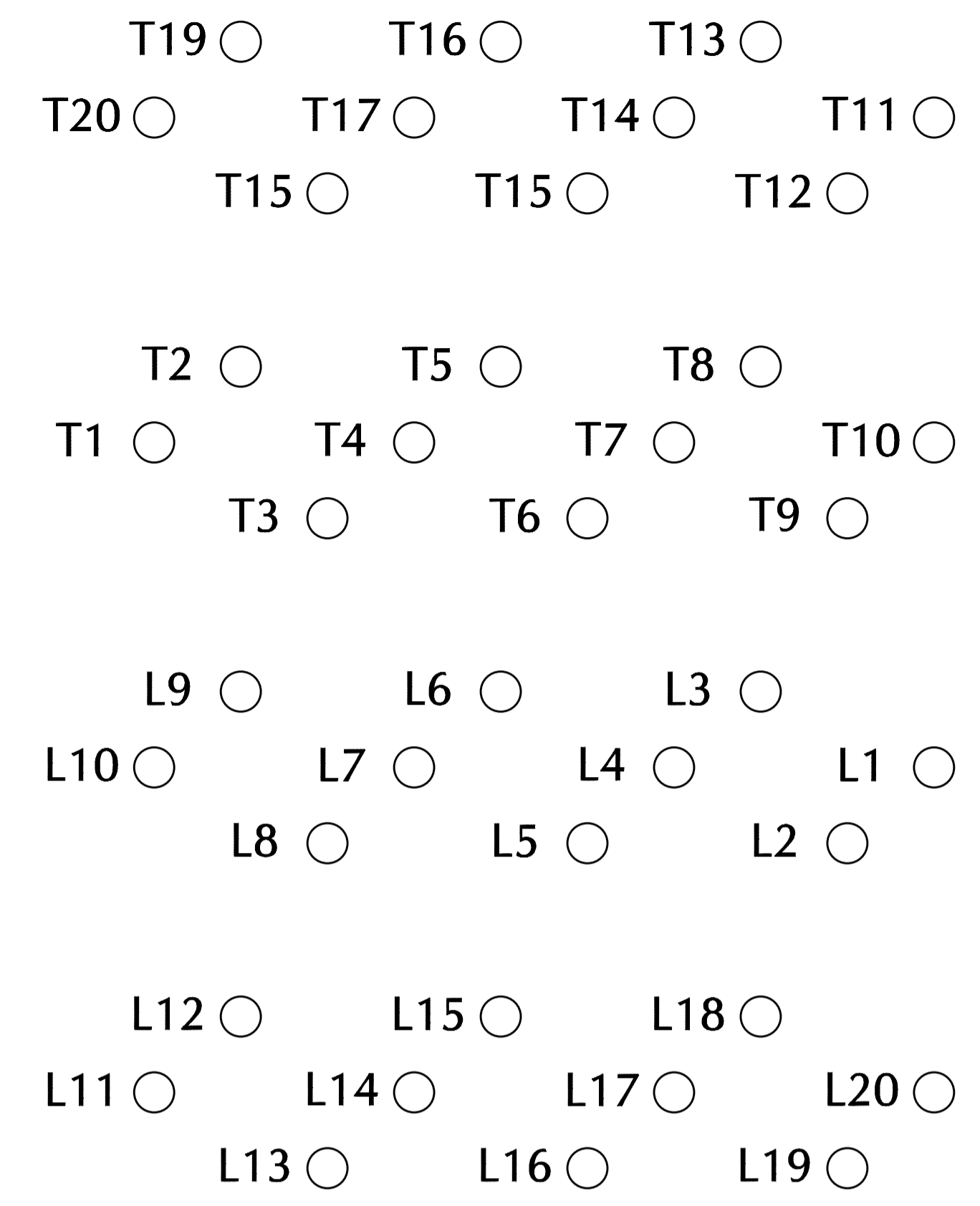


THIS DRAWING IS A CONTROLLED DOCUMENT. DIMENSIONING AND TOLERANCING PER ASME Y14.5M-2009.		DMN: M. SHIRK 26JAN2015 CHK: P. RECCE 26JAN2015 APVD: -	NAME: RECEPTACLE ASSEMBLY, 2X12, STACKED, zSFP+
DIMENSIONS: mm	TOLERANCES UNLESS OTHERWISE SPECIFIED: 0 PLC ±0.10 1 PLC ±0.10 2 PLC ±0.10 3 PLC ±0.10 4 PLC ±0.10 ANGLES ±°	PRODUCT SPEC: 108-2431 APPLICATION SPEC: 114-13319 WEIGHT: -	SIZE: A1 CAGE CODE: 00779 DRAWING NO: C=2288172
MATERIAL: SEE NOTES	FINISH: SEE NOTES	CUSTOMER DRAWING	RESTRICTED TO: -
SCALE: 2:1		SHEET: 4 OF 5	REV: A

LOC	DIST	REVISIONS					
GP	00	P	LTN	DESCRIPTION	DATE	DWN	APVD
		-		SEE SHEET 1			



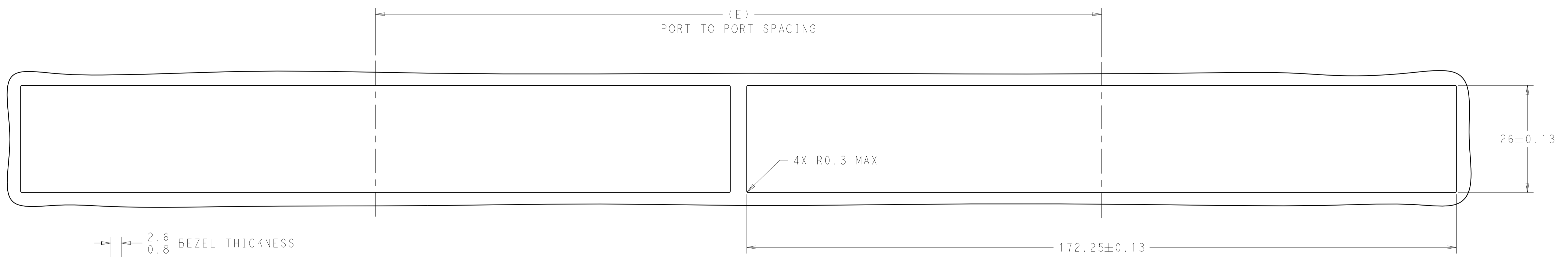
DETAIL C
 RECOMMENDED PIN AND LIGHT PIPE LAYOUT
 SCALE 10:1



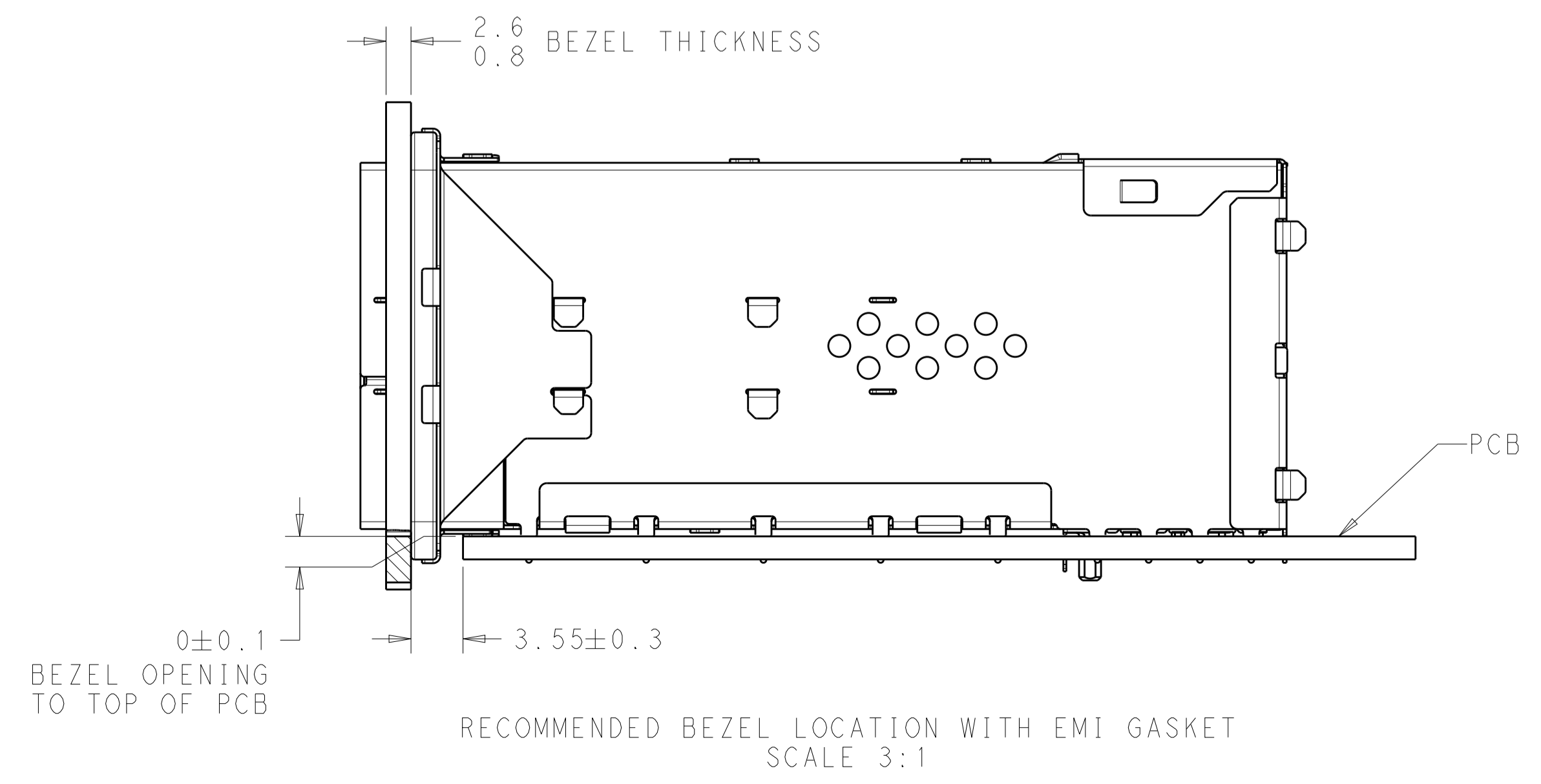
PIN MAP LEGEND

PIN NUMBER	FUNCTION
L1/T1	VEET
L2/T2	TX-FAULT
L3/T3	TX-DISABLE
L4/T4	SDA
L5/T5	SCL
L6/T6	MOD_ABS
L7/T7	RS0
L8/T8	RX_LOS
L9/T9	RS1
L10/T10	VEER
L11/T11	VEER
L12/T12	RD-
L13/T13	RD+
L14/T14	VEER
L15/T15	VCCR
L16/T16	VCCT
L17/T17	VEET
L18/T18	TD+
L19/T19	TD-
L20/T20	VEET

DETAIL D
 PIN MAP
 12 PLACES
 SCALE 20:1



RECOMMENDED BEZEL CUT OUT DETAIL



RECOMMENDED BEZEL LOCATION WITH EMI GASKET
 SCALE 3:1

THIS DRAWING IS A CONTROLLED DOCUMENT. DIMENSIONING AND TOLERANCING PER ASME Y14.5M-2009.

DIMENSIONS:	TOLERANCES UNLESS OTHERWISE SPECIFIED:	DWN: M. SHIRK 26JAN2015	CHK: P. RECCE 26JAN2015	APVD:	
mm	0 PLC ±0.10 1 PLC ±0.10 2 PLC ±0.10 3 PLC ±0.10 4 PLC ±0.10	TE Connectivity NAME: RECEPTACLE ASSEMBLY, 2X12, STACKED, zSFP+ PRODUCT SPEC: 108-2431 APPLICATION SPEC: SIZE: 114-13319 WEIGHT: MATERIAL: SEE NOTES FINISH: SEE NOTES			
MATERIAL:	FINISH:	RESTRICTED TO:	SCALE: 2:1	SHEET 5 OF 5	REV A

X-ON Electronics

Largest Supplier of Electrical and Electronic Components

Click to view similar products for [I/O Connectors](#) category:

Click to view products by [TE Connectivity](#) manufacturer:

Other Similar products are found below :

[571763P](#) [72.250.1628.2](#) [72.250.2428.2](#) [74720-0505](#) [76.350.0729.0](#) [76871-1403](#) [FCN-244F080-G/1](#) [FCN-260A9920](#) [MP-5T180MUNNA-005](#)
[PCR-E36PM](#) [PCS-XE26MA+](#) [G38A71314B](#) [1571250010](#) [157-22500-3](#) [MS3471L14-19P L/C](#) [91-569786-35H](#) [172501-4002](#) [172501-6002](#)
[FCN-260C008-A/L0](#) [FCN-260C024-AL0](#) [FCN-261Z008](#) [2000314-1](#) [200331-1](#) [PCR-E36FC+](#) [PCS-E28FS+](#) [PCS-XE26SLFD+](#) [PCS-](#)
[XE26SLFDT+](#) [G730VID08BDC24](#) [U90B2054081210](#) [UE86K842720321](#) [38113800006](#) [DP3AR020WQ1R200](#) [Z4.102.0680.0](#) [500-1040](#)
[500-1052](#) [500-1054](#) [ZP-4008-66L](#) [0709821002](#) [10-565995-597N](#) [DX40-20P\(55\)](#) [5554841-1](#) [MS3474W18-8P-LC*](#) [U90B3054061110](#) [U65-](#)
[E04-4020](#) [ZPF000000000097891](#) [557-262M2-06C](#) [747360449](#) [10099439-003C-TRLF](#) [10137239-0021LF](#) [E9320-001-01](#)