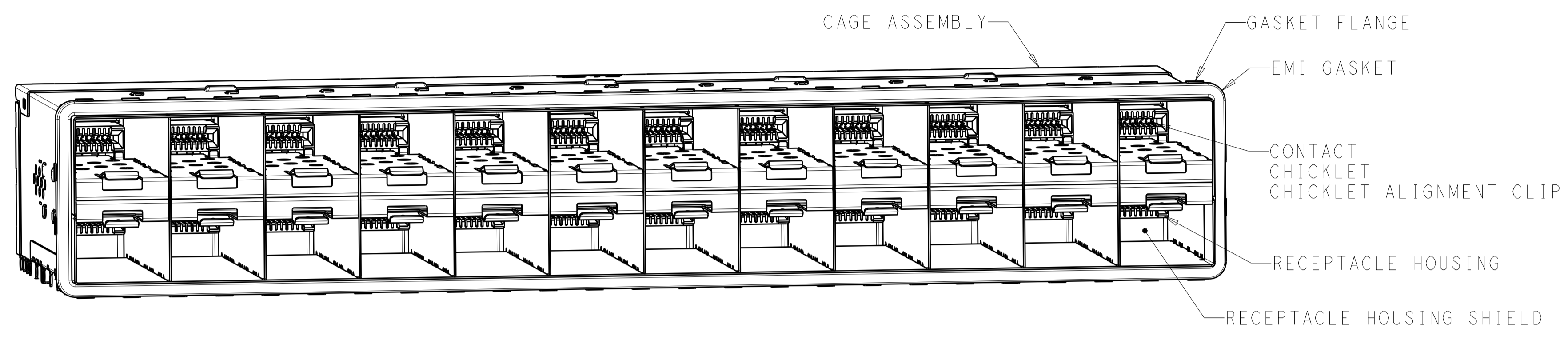
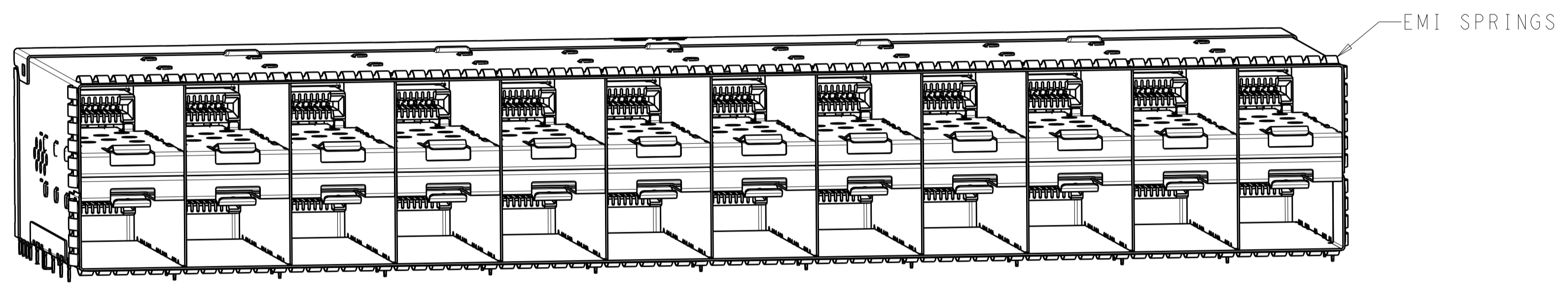


LOC	DIST	REVISIONS					
GP	00	P	LTH	DESCRIPTION	DATE	DWN	APVD
		1		INITIAL RELEASE	26JAN2015	MS	PAR
		A		MASS PRODUCTION	20DEC2015	PP	SH

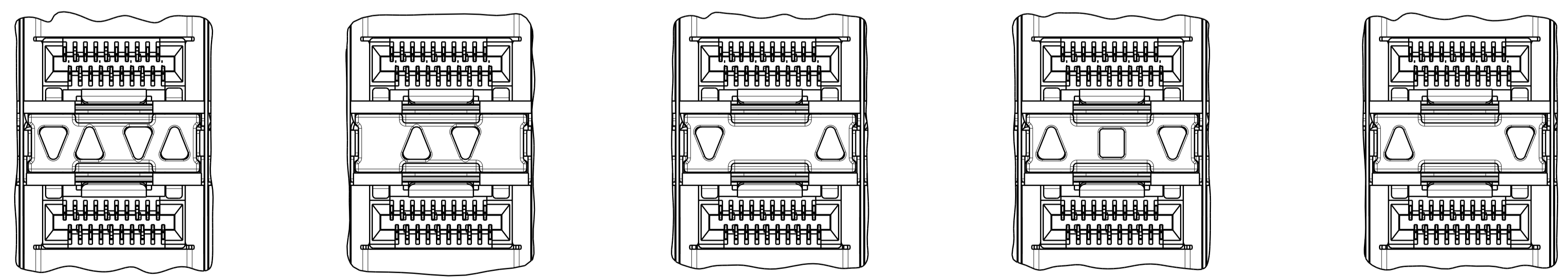


2288172-1



2288172-5

- MATERIALS:**
 CAGE ASSEMBLY - NICKEL-SILVER ALLOY PER ASTM B 122
 RECEPTACLE HOUSING - LCP, BLACK, UL 94V-0 RATED
 RECEPTACLE HOUSING SHIELD - COPPER ALLOY
 CHICKLET - LCP, BLACK, UL 94V-0 RATED
 CHICKLET ALIGNMENT CLIP - PBT
 CONTACT - COPPER ALLOY
 EMI GASKET - ELASTOMERIC
 GASKET FLANGE - STAINLESS STEEL
 LIGHT PIPE - POLYCARBONATE
 LIGHT PIPE HOUSING - ZINC ALLOY
 EMI SPRINGS - PHOSPHOR BRONZE PER ASTM B103
- CONTACT FINISH:**
 CONFORMS TO THE REQUIREMENTS OF TYCO ELECTRONICS
 PRODUCT SPECIFICATION 108-2481, BASED ON EIA/ECA-364-1000.01A,
 (CONTROLLED ENVIRONMENT APPLICATIONS) ON MATING INTERFACE,
 TIN ON NEEDLE EYE
- PCB MINIMUM THICKNESS = 1.5mm**
- FOR HOLE SIZE AND PLATINGS,
 SEE APPLICATION SPECIFICATION 114-13319
- LIGHT PIPE PAD LAYOUT IS FOR 0805 LOW PROFILE
 LED PACKAGE WITH A HEIGHT OF 0.8mm
- THE ENTIRE AREA OF THE CONNECTOR FOOTPRINT, INDICATED BY THE
 DASHED LINE, TO BE CONSIDERED THE KEEPOUT AREA FOR COMPONENTS
 AND SIGNAL TRACES, TOP SIDE ONLY, TOP SIDE TRACES ALLOWED
 WITHIN CONNECTOR HOLE PATTERN
- DIMENSION APPLIES FROM EMI SPRINGS ONLY.



INNER/OUTER LIGHT PIPE
 2288172-2, 2288172-6
 SCALE 4:1

INNER LIGHT PIPE
 2288172-3, 2288172-7
 SCALE 4:1

OUTER LIGHT PIPE
 2288172-4, 2288172-8
 SCALE 4:1

CENTER/REVERSED OUTER
 1-2288172-7, 1-2288172-9
 SCALE 4:1

REVERSED OUTER
 1-2288172-8, 2-2288172-0
 SCALE 4:1

173.5	EMI SPRINGS	REVERSED OUTER	2-2288172-0
		CENTER/REVERSED OUTER	1-2288172-9
176.25	EMI GASKET	REVERSED OUTER	1-2288172-8
		CENTER/REVERSED OUTER	1-2288172-7
173.5	EMI SPRINGS	OUTER	2288172-8
		INNER	2288172-7
		INNER/OUTER	2288172-6
176.25	EMI GASKET	NONE	2288172-5
		OUTER	2288172-4
		INNER	2288172-3
		INNER/OUTER	2288172-2
		NONE	2288172-1
(E)	CAGE TYPE	LIGHT PIPE CONFIGURATION	PART NUMBER

THIS DRAWING IS A CONTROLLED DOCUMENT. DIMENSIONING AND TOLERANCING PER ASME Y14.5M-2009. TOLERANCES UNLESS OTHERWISE SPECIFIED:

DIMENSIONS:	mm	0 PLC ±0.10 1 PLC ±0.10 2 PLC ±0.10 3 PLC ±0.10 4 PLC ±0.10
ANGLES:		±°
FINISH:		±"

SEE NOTES

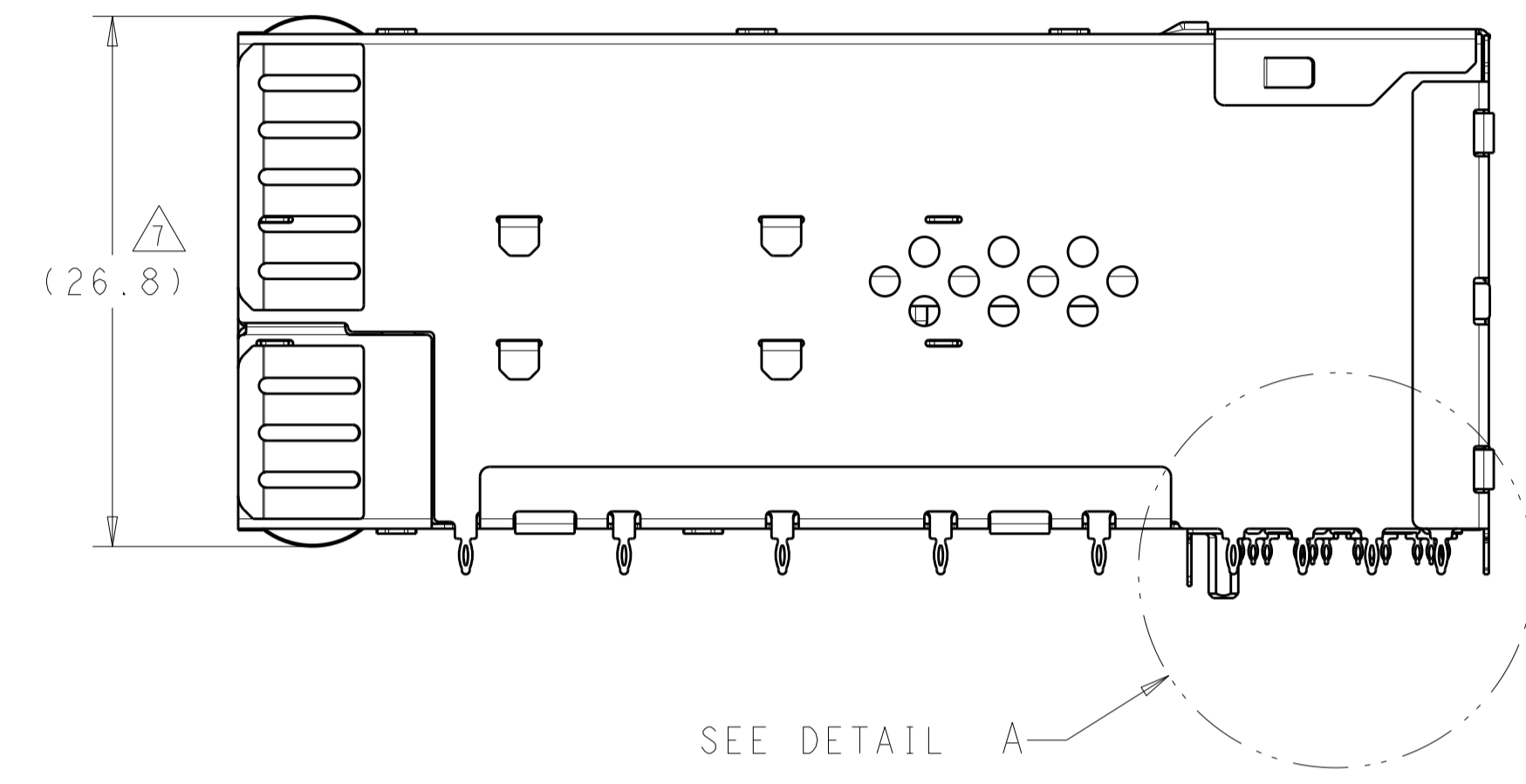
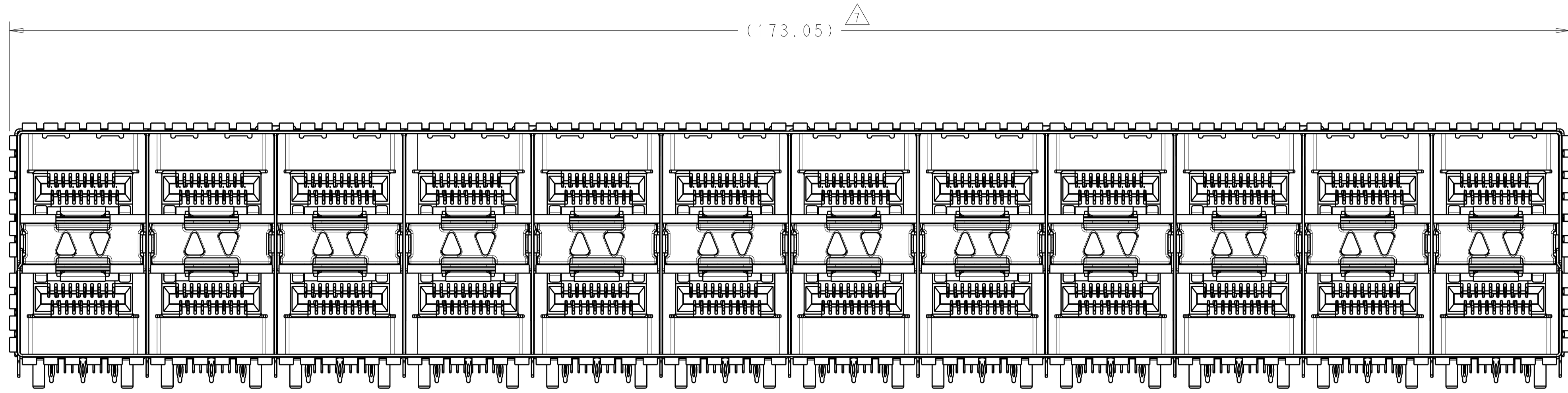
APVD	26JAN2015	NAME	RECEPTACLE ASSEMBLY, 2X12, STACKED, zSFP+
CHK	P.RECCE	PRODUCT SPEC	108-2431
		APPLICATION SPEC	114-13319
		WEIGHT	
		CUSTOMER DRAWING	

STE TE Connectivity

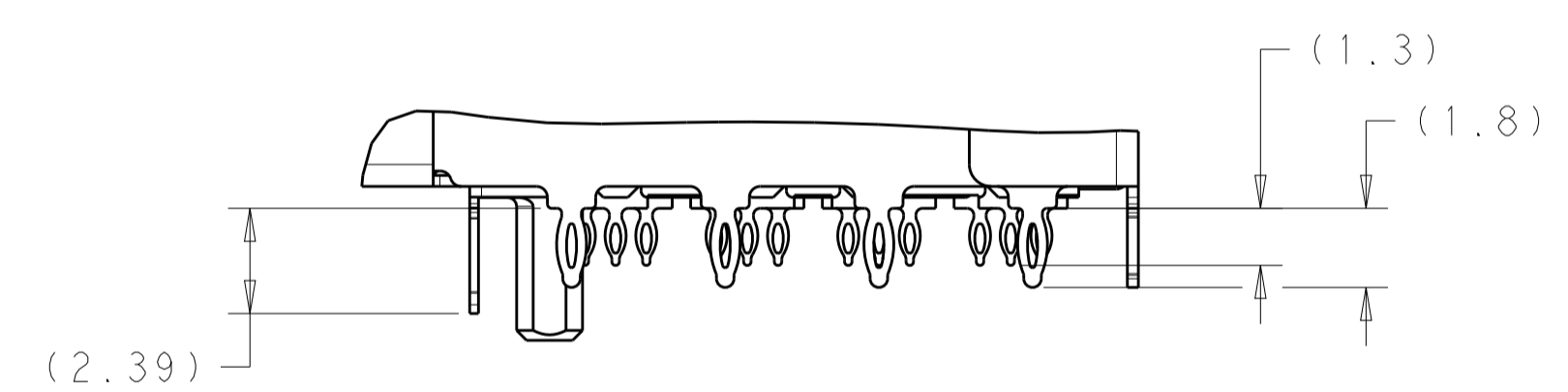
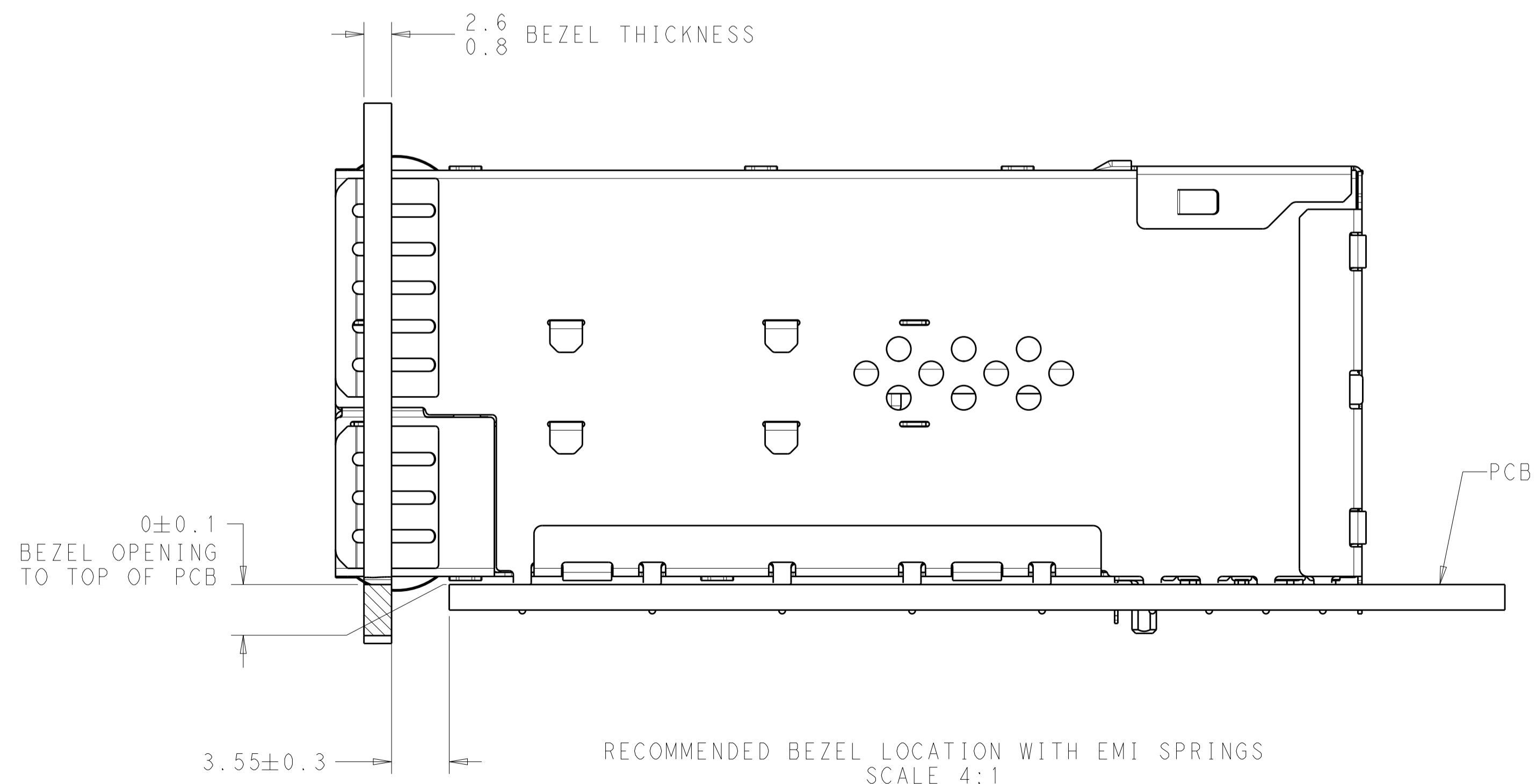
SIZE: CAGE CODE: DRAWING NO: A100779C=2288172

SCALE: 2:1 SHEET 1 OF 5 REV A

LOC	DIST	REVISIONS					
GP	00	P	LYR	DESCRIPTION	DATE	DWN	APVD
		-		SEE SHEET 1			



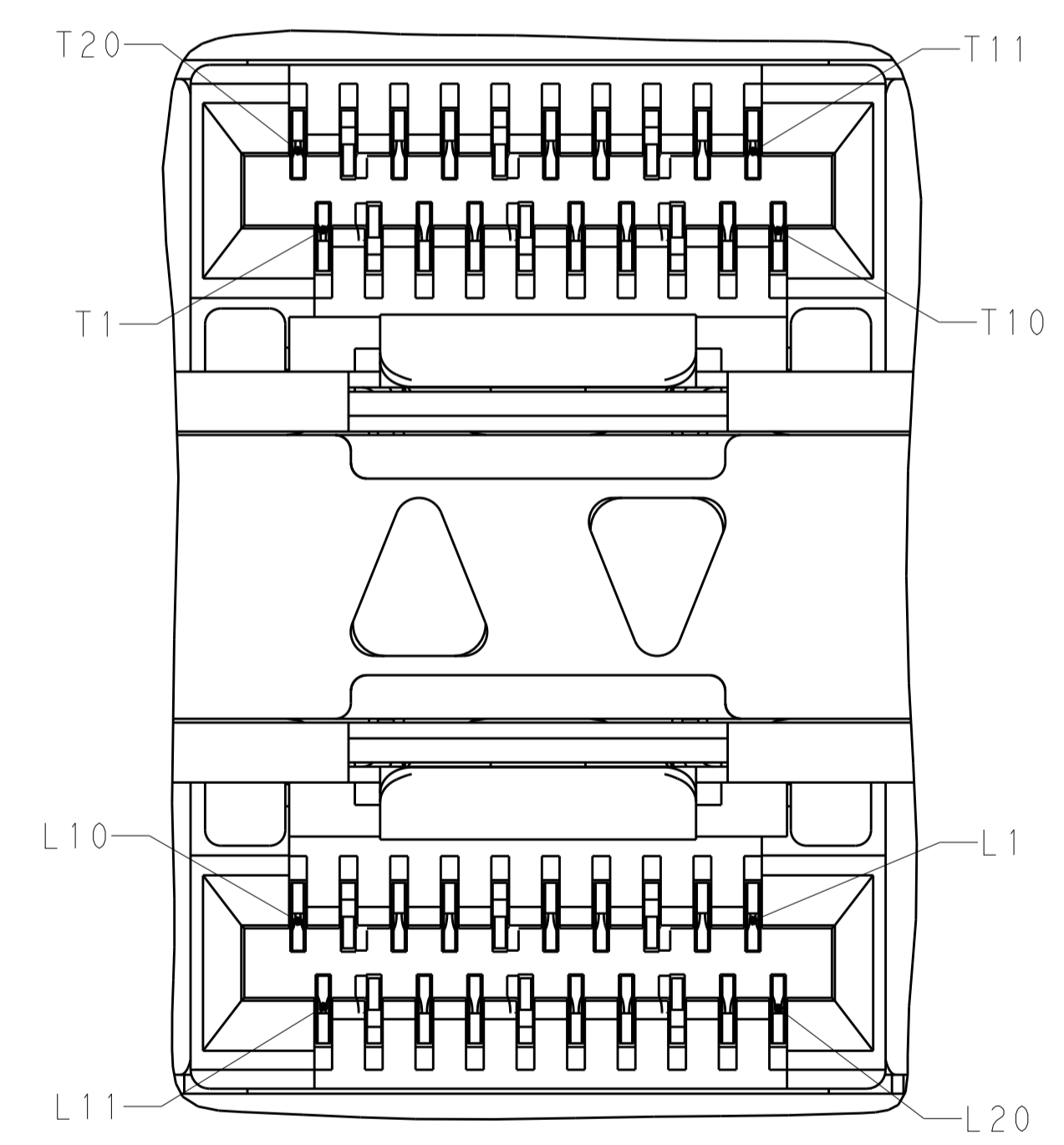
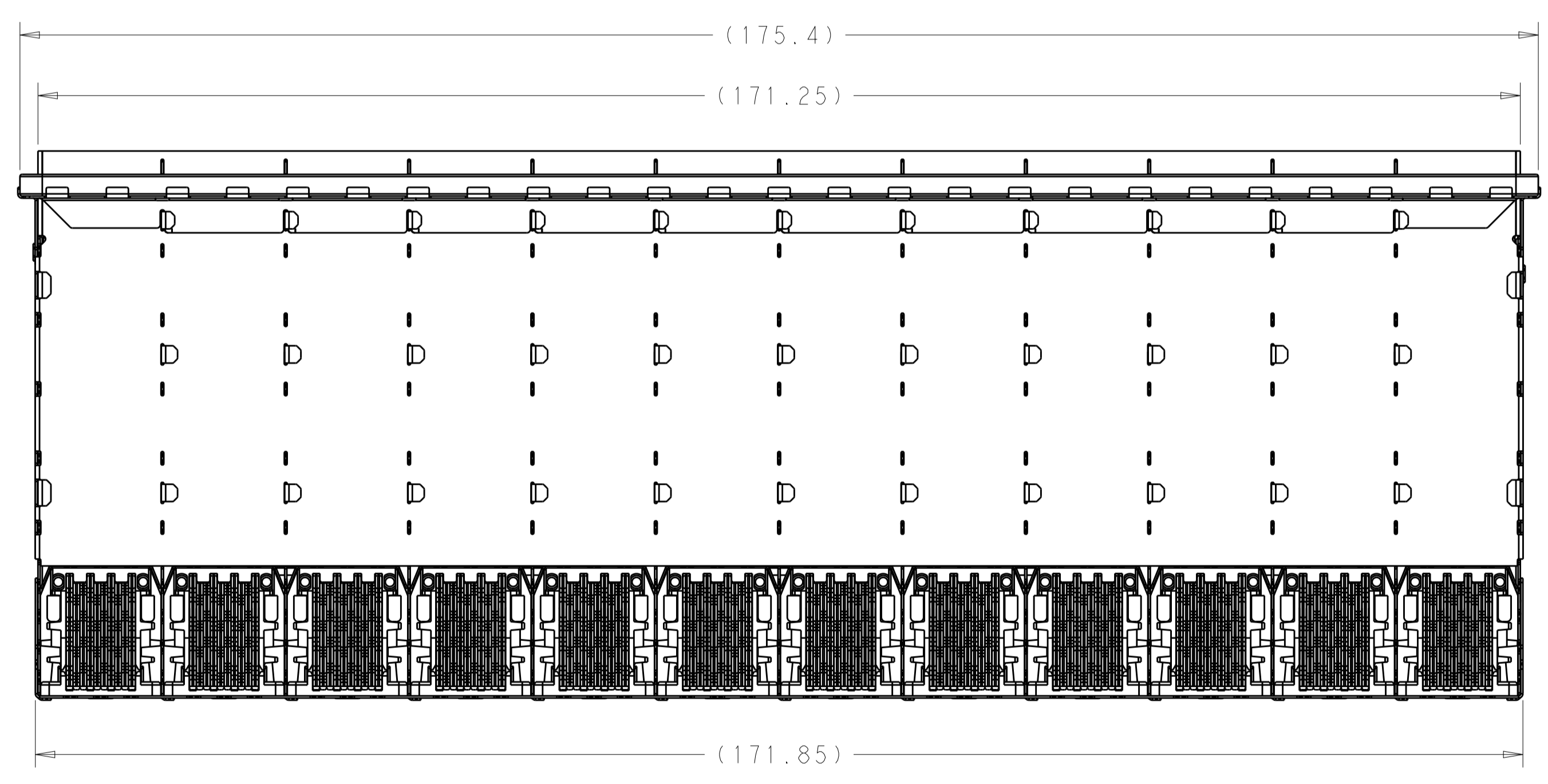
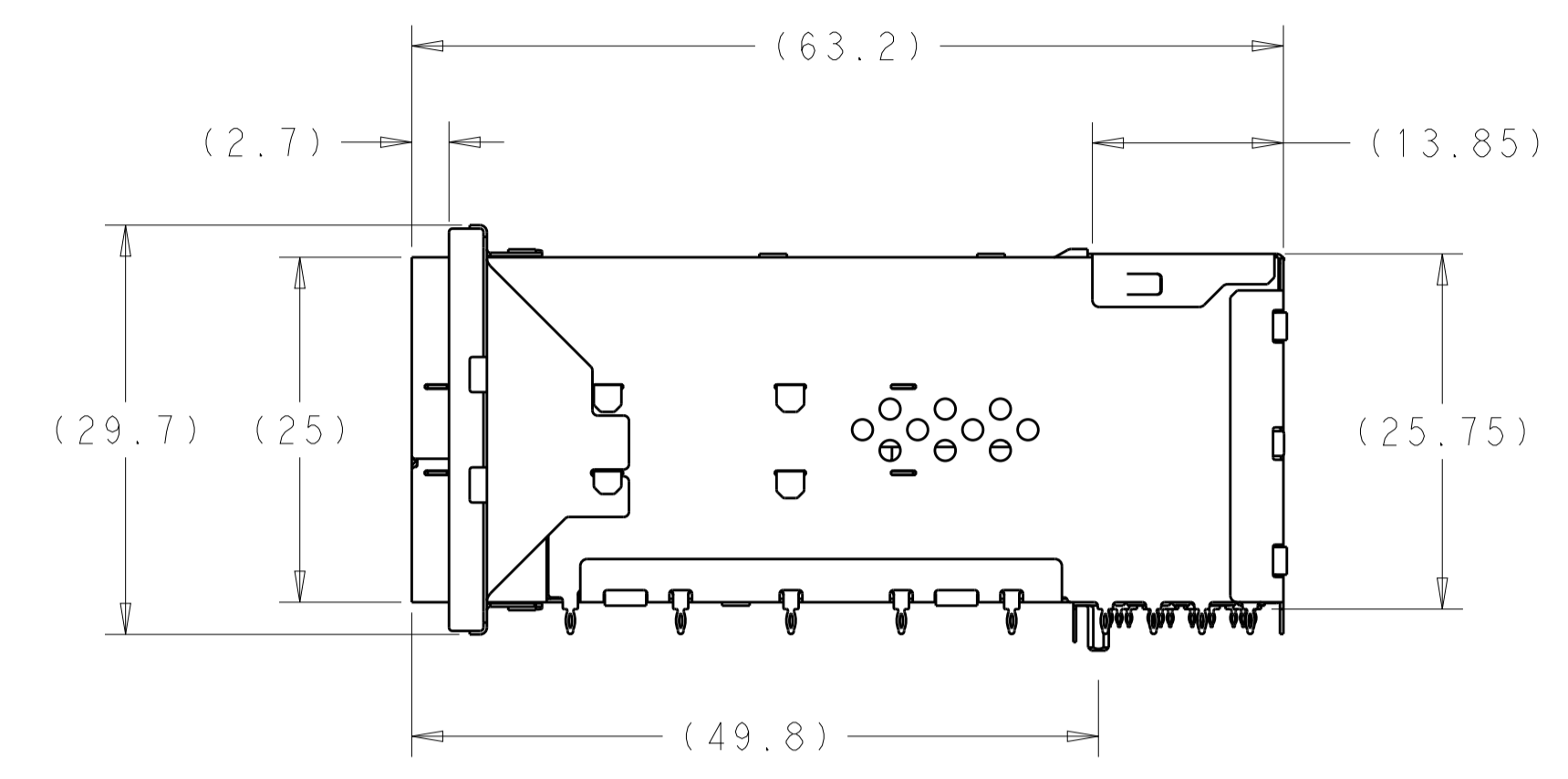
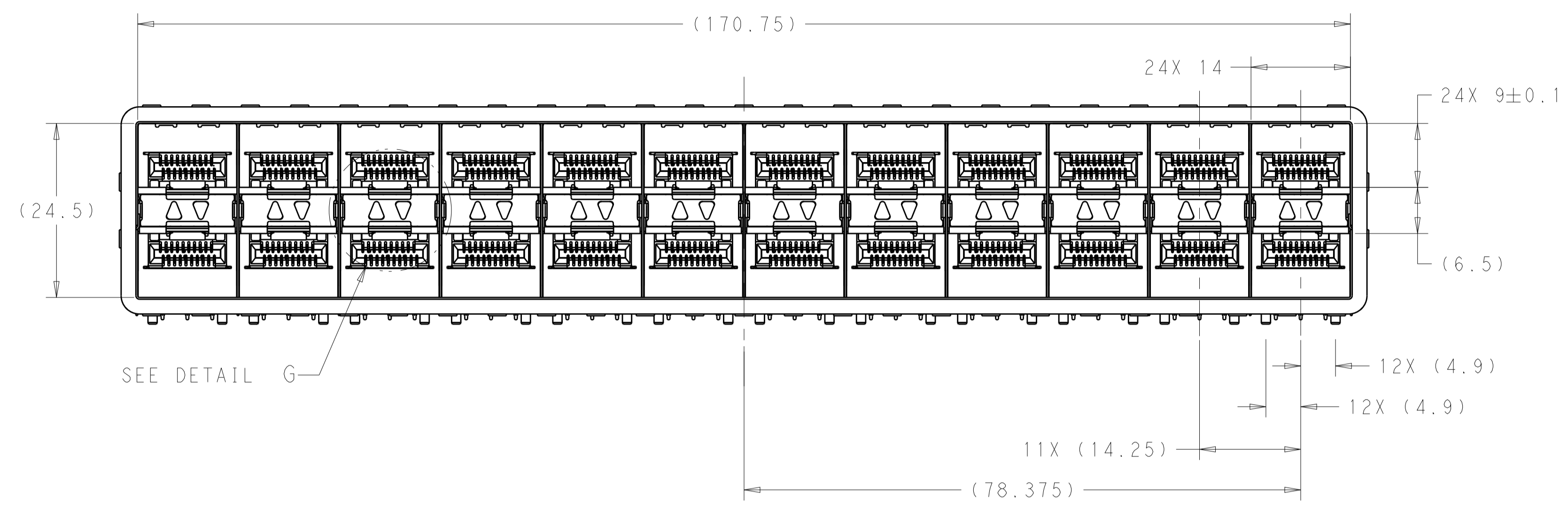
2288172-7
 EMI SPRINGS ONLY
 SCALE 3:1



DETAIL A
 SCALE 6:1

THIS DRAWING IS A CONTROLLED DOCUMENT.		DWN: M. SHIRK 26JAN2015	TE Connectivity
		CHK: P. RECCE 26JAN2015	
DIMENSIONS:	TOLERANCES UNLESS OTHERWISE SPECIFIED:	APVD:	NAME: RECEPTACLE ASSEMBLY, 2X12, STACKED, zSFP+
mm	0 PLC ±0.10 1 PLC ±0.10 2 PLC ±0.10 3 PLC ±0.10 4 PLC ±	PRODUCT SPEC: 108-2431	SIZE: A100779
	ANGLES	APPLICATION SPEC: 114-13319	CAGE CODE: C=2288172
MATERIAL:	FINISH:	WEIGHT:	RESTRICTED TO:
SEE NOTES	SEE NOTES	CUSTOMER DRAWING	SCALE: 2:1 SHEET 2 OF 5 REV A

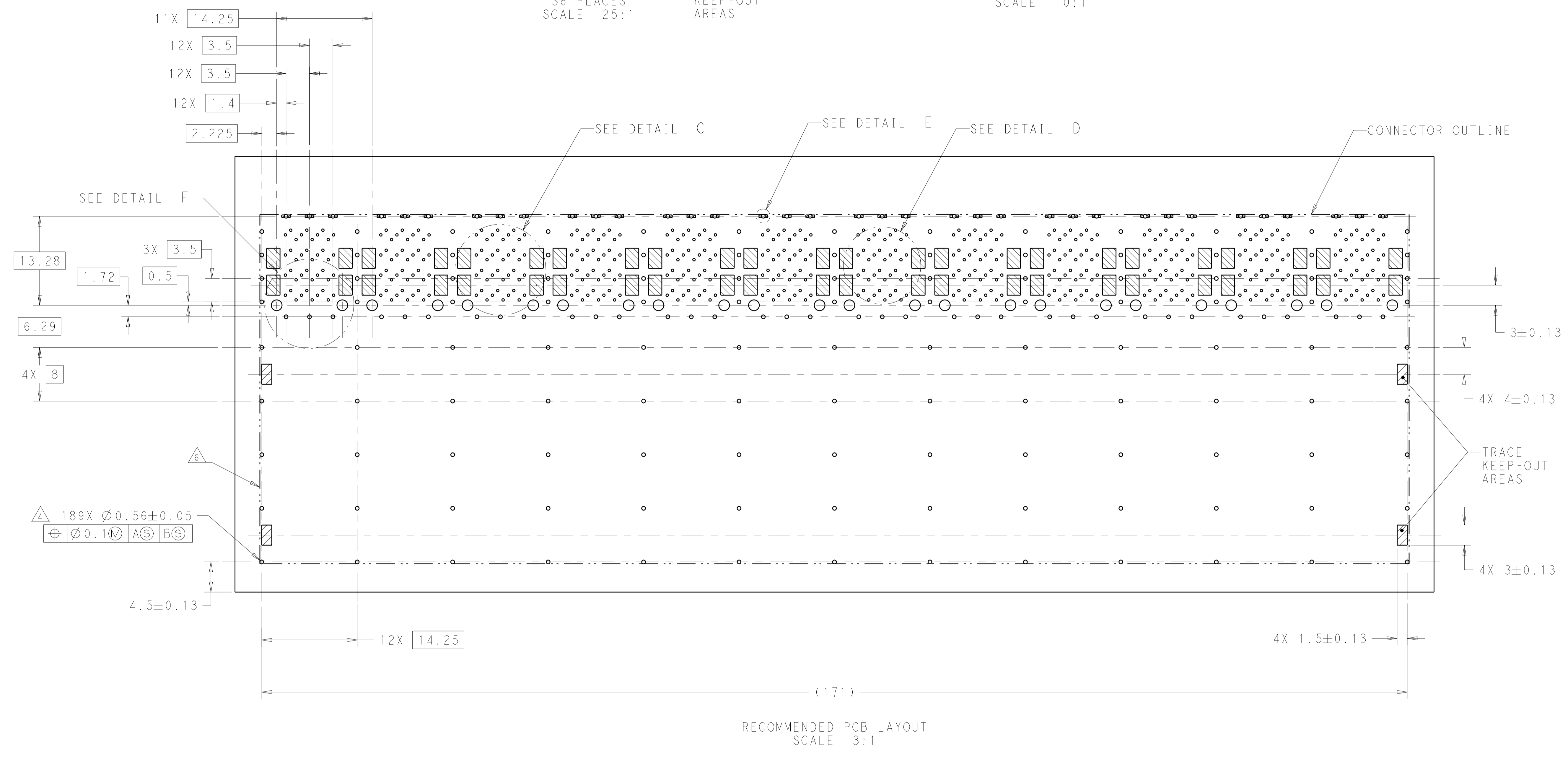
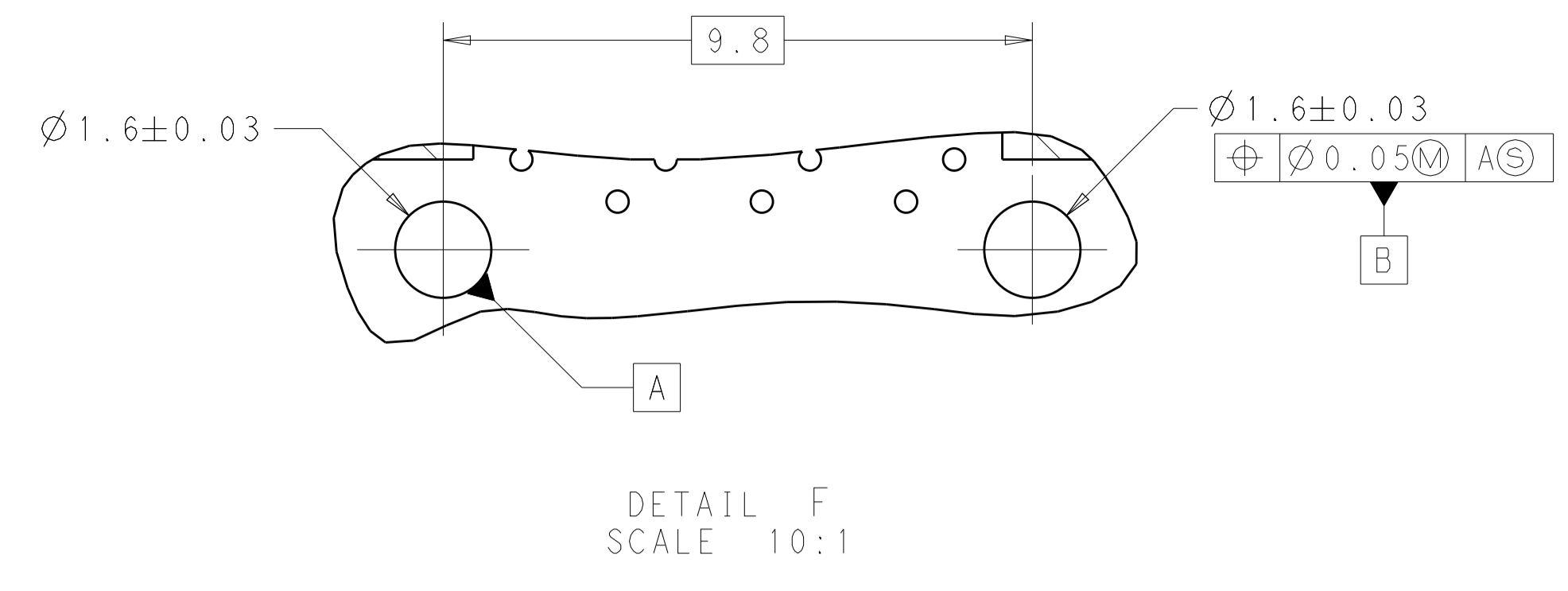
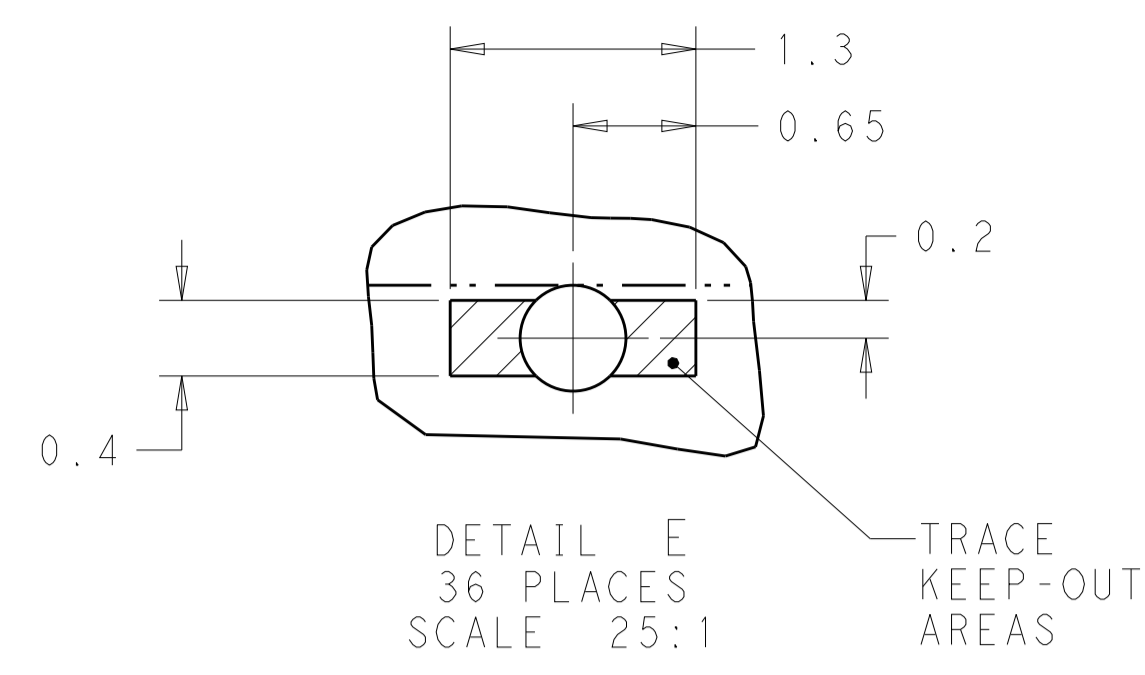
LOC		DIST		REVISIONS			
GP	00	P	LTN	DESCRIPTION	DATE	DWN	APVD
		-		SEE SHEET 1			



DETAIL G
 12X INDIVIDUALLY
 SCALE 10:1

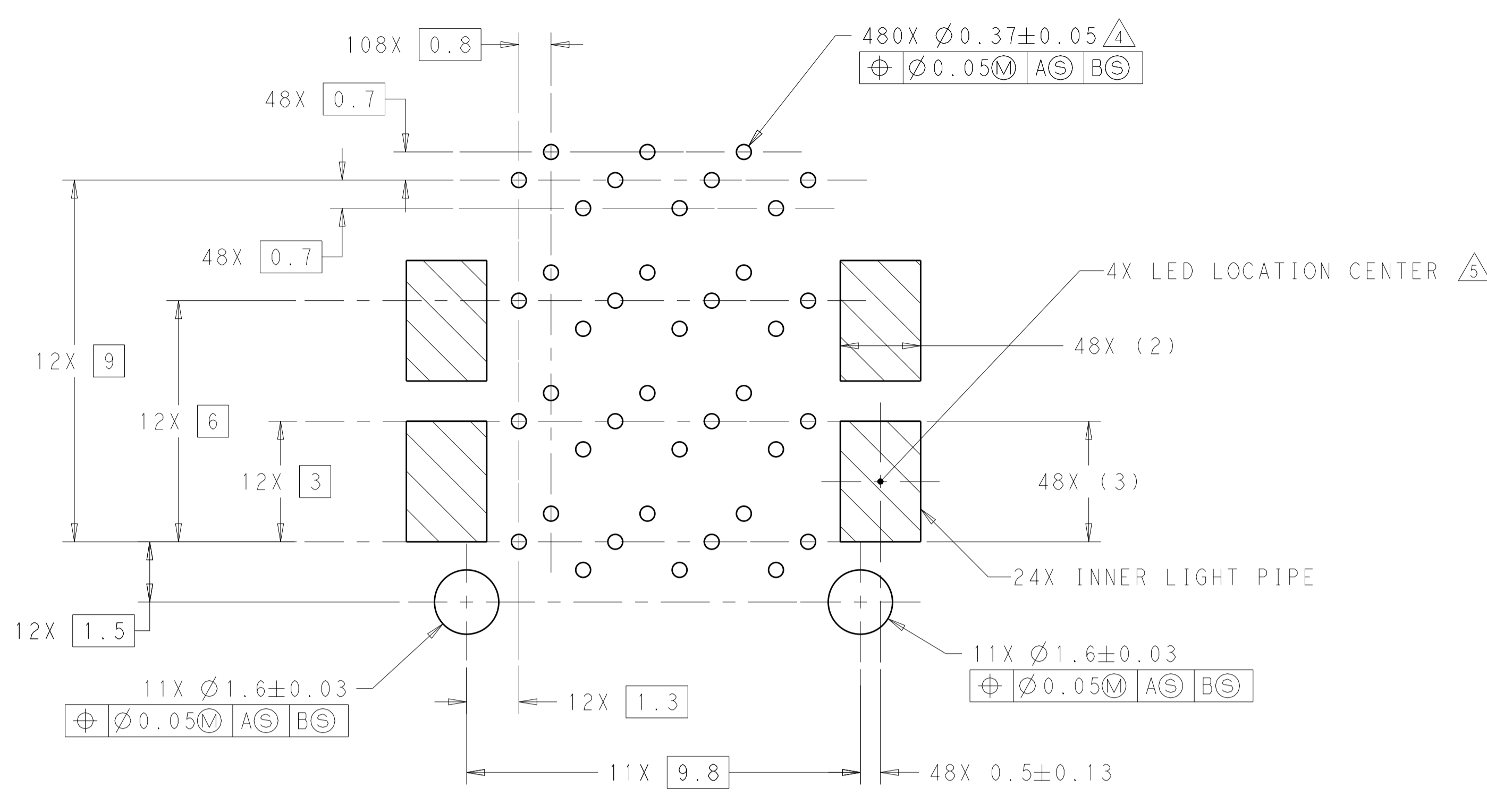
THIS DRAWING IS A CONTROLLED DOCUMENT. DIMENSIONING AND TOLERANCING PER ASME Y14.5M-2009.		DWN: M. SHIRK 26JAN2015 CHK: P. RECCE 26JAN2015 APVD: -	TE Connectivity RECEPTACLE ASSEMBLY, 2X12, STACKED, zSFP+
DIMENSIONS: mm	TOLERANCES UNLESS OTHERWISE SPECIFIED: 0 PLC ±0.10 1 PLC ±0.10 2 PLC ±0.10 3 PLC ±0.10 4 PLC ±0.10 ANGLES ±°	PRODUCT SPEC: 108-2431 APPLICATION SPEC: 114-13319	
MATERIAL: SEE NOTES	FINISH: SEE NOTES	WEIGHT: - CUSTOMER DRAWING	SIZE: A100779 CAGE CODE: C=2288172 RESTRICTED TO: -
SCALE: 2:1			SHEET: 3 OF 5 REV: A

LOC		DIST		REVISONS			
GP	00	P	LYR	DESCRIPTION	DATE	OWN	APVD
		-	-	SEE SHEET 1	-	-	-

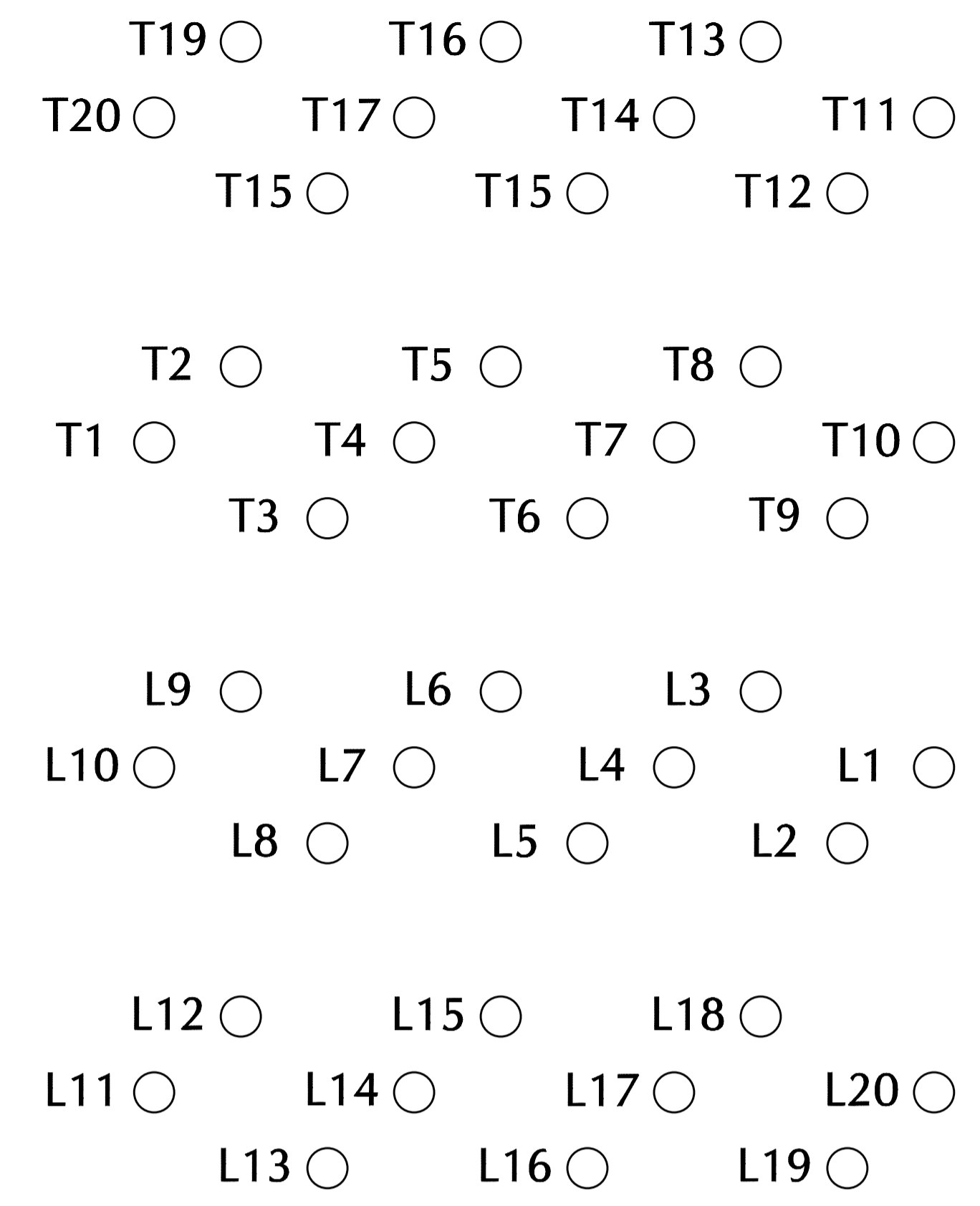


THIS DRAWING IS A CONTROLLED DOCUMENT. DIMENSIONING AND TOLERANCING PER ASME Y14.5M-2009.		OWN: M. SHIRK CHK: P. RECCE APVD: -	26 JAN 2015 26 JAN 2015	TE Connectivity RECEPTACLE ASSEMBLY, 2X12, STACKED, zSFP+
DIMENSIONS: mm	TOLERANCES UNLESS OTHERWISE SPECIFIED:	PRODUCT SPEC: 108-2431	APPLICATION SPEC: 114-13319	
0 PLC ±0.10 1 PLC ±0.10 2 PLC ±0.10 3 PLC ±0.10 4 PLC ±0.10 ANGLES ±°	FINISH: -	SIZE: A100779	CAGE CODE: C=2288172	RESTRICTED TO: -
MATERIAL: -	SEE NOTES	WEIGHT: -	CUSTOMER DRAWING	SCALE: 2:1 SHEET 4 OF 5 REV A

LOC	DIST	REVISIONS					
GP	00	P	LTN	DESCRIPTION	DATE	DWN	APVD
		-		SEE SHEET 1			

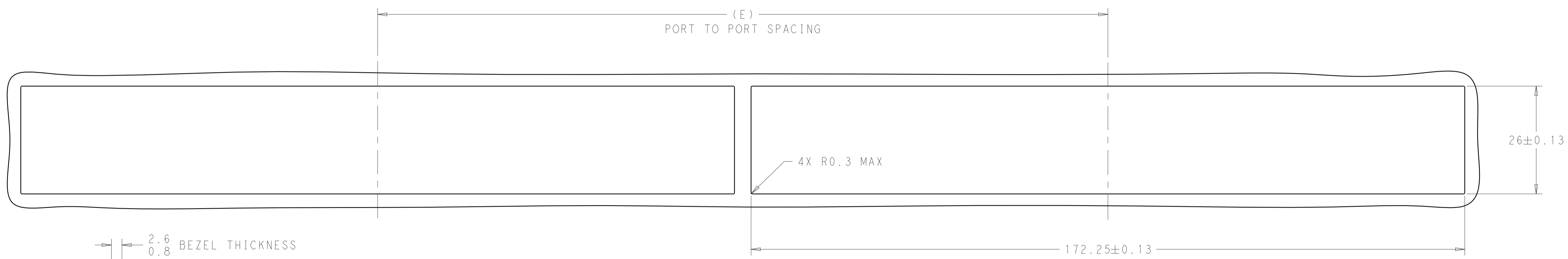


DETAIL C
 RECOMMENDED PIN AND LIGHT PIPE LAYOUT
 SCALE 10:1

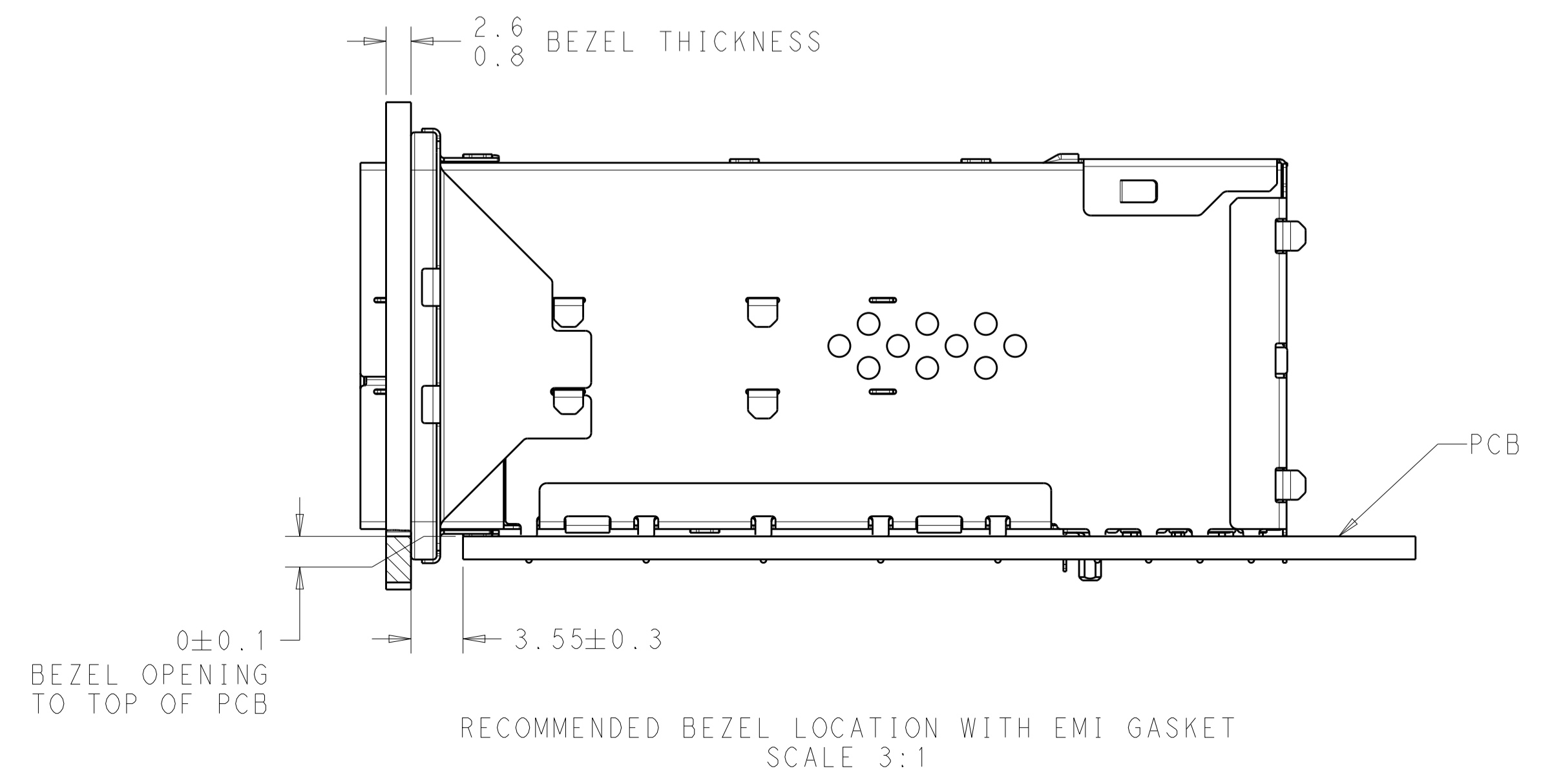


PIN MAP LEGEND	
PIN NUMBER	FUNCTION
L1/T1	VEET
L2/T2	TX-FAULT
L3/T3	TX-DISABLE
L4/T4	SDA
L5/T5	SCL
L6/T6	MOD_ABS
L7/T7	RS0
L8/T8	RX_LOS
L9/T9	RS1
L10/T10	VEER
L11/T11	VEER
L12/T12	RD-
L13/T13	RD+
L14/T14	VEER
L15/T15	VCCR
L16/T16	VCCT
L17/T17	VEET
L18/T18	TD+
L19/T19	TD-
L20/T20	VEET

DETAIL D
 PIN MAP
 12 PLACES
 SCALE 20:1



RECOMMENDED BEZEL CUT OUT DETAIL



RECOMMENDED BEZEL LOCATION WITH EMI GASKET
 SCALE 3:1

THIS DRAWING IS A CONTROLLED DOCUMENT. DIMENSIONING AND TOLERANCING PER ASME Y14.5M-2009		DWN: M. SHIRK 26JAN2015 CHK: P. RECCE 26JAN2015 APVD: -	TE Connectivity RECEPTACLE ASSEMBLY, 2X12, STACKED, zSFP+
DIMENSIONS: mm	TOLERANCES UNLESS OTHERWISE SPECIFIED:	PRODUCT SPEC: 108-2431 APPLICATION SPEC: 114-13319	
MATERIAL: SEE NOTES	FINISH: SEE NOTES	SIZE: A1 CAGE CODE: 00779 DRAWING NO: C=2288172	RESTRICTED TO: -
CUSTOMER DRAWING		SCALE: 2:1	SHEET 5 OF 5 REV A

X-ON Electronics

Largest Supplier of Electrical and Electronic Components

Click to view similar products for [I/O Connectors](#) category:

Click to view products by [TE Connectivity](#) manufacturer:

Other Similar products are found below :

[571763P](#) [58098-0628](#) [72.250.1628.2](#) [72.250.2428.2](#) [74720-0505](#) [76.350.0729.0](#) [76871-1403](#) [FCN-244F080-G/1](#) [FCN-260A9920](#) [PCR-E36PM](#) [PCS-XE26MA+](#) [G38A71314B](#) [1571250010](#) [157-22500-3](#) [MS3471L14-19P L/C](#) [172501-4002](#) [172501-6002](#) [FCN-260C008-A/L0](#) [FCN-260C024-AL0](#) [FCN-261Z008](#) [2000314-1](#) [200331-1](#) [PCR-E36FC+](#) [PCS-E28FS+](#) [PCS-XE26SLFD+](#) [PCS-XE26SLFDT+](#) [G730VID08BDC24](#) [U90B2054081210](#) [38113800006](#) [DP3AR020WQ1R200](#) [Z4.102.0680.0](#) [500-1040](#) [500-1052](#) [500-1054](#) [ZP-4008-66L](#) [0709821002](#) [DX40-20P\(55\)](#) [5554841-1](#) [MS3474W18-8P-LC*](#) [U90B3054061110](#) [U65-E04-4020](#) [ZPF000000000097891](#) [747360449](#) [10099439-003C-TRLF](#) [10137239-0021LF](#) [E9320-001-01](#) [10137239-0011LF](#) [70289-001LF](#) [70.060.1028.0](#) [109029-ZZ](#)