

4

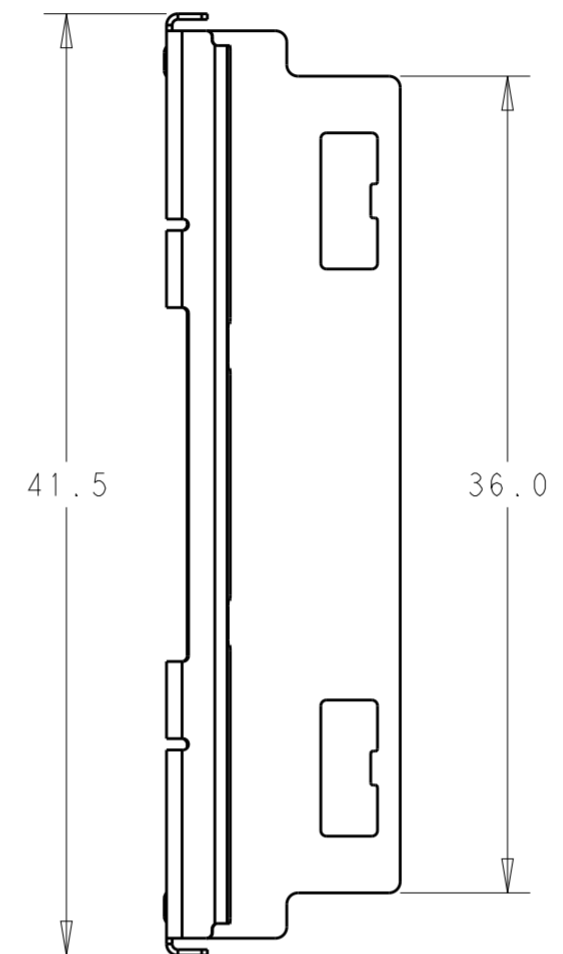
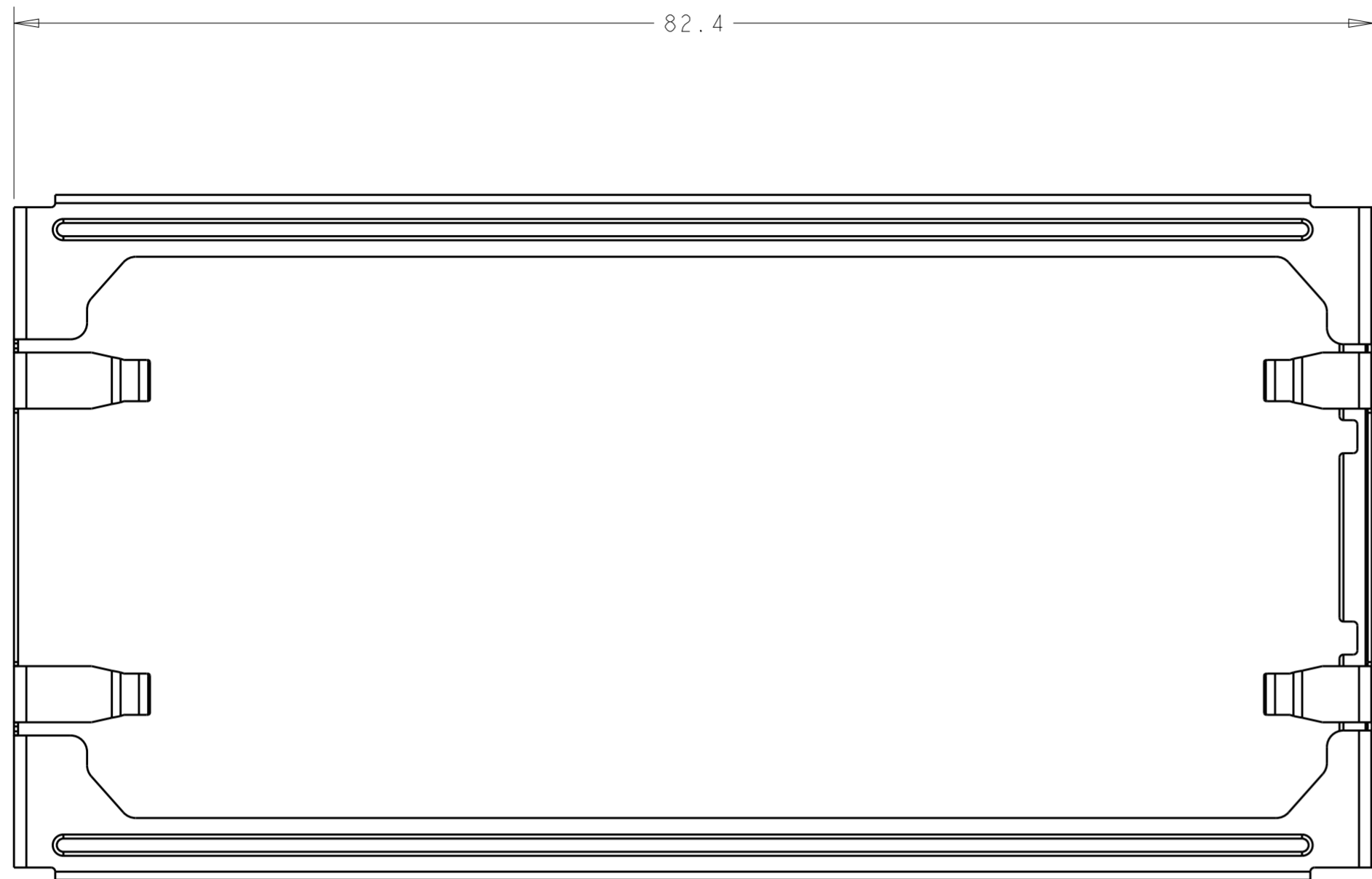
3

2

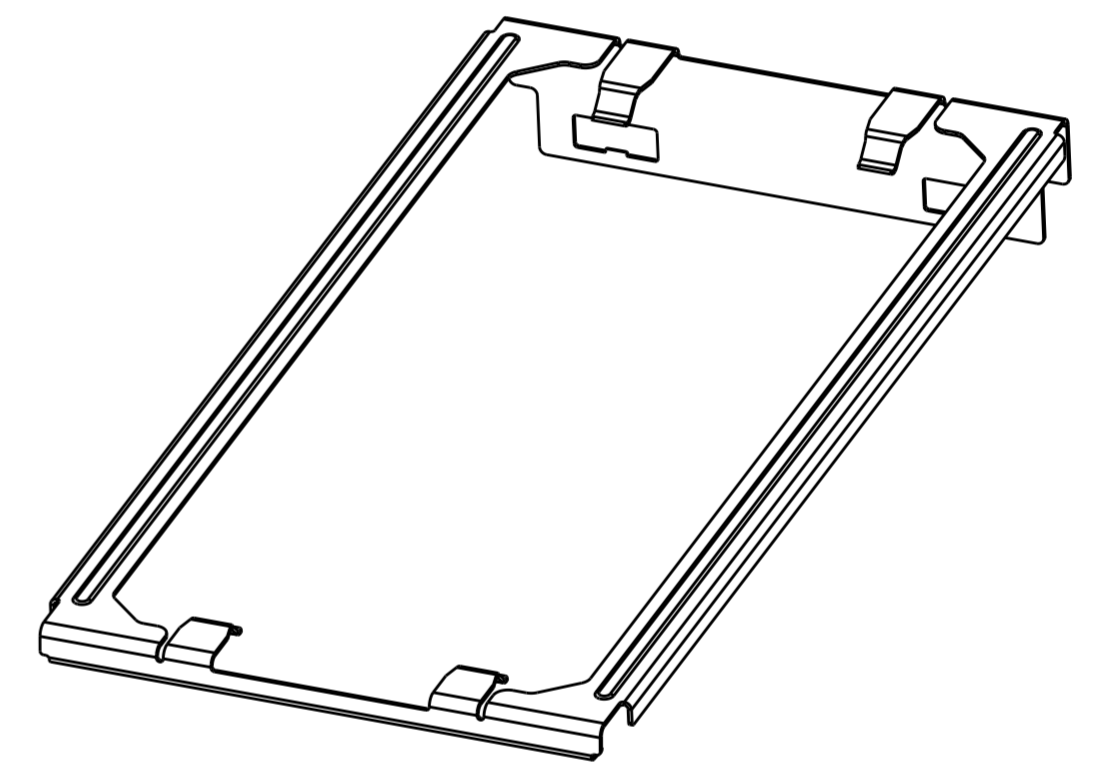
1

THIS DRAWING IS UNPUBLISHED. RELEASED FOR PUBLICATION 20
 © COPYRIGHT 20 BY - ALL RIGHTS RESERVED.

REVISIONS				
P	LTR	DESCRIPTION	DATE	APVD
A		INITIAL RELEASE	05JUN2018	AD SH
A1		ADD PN -4 WITHOUT FLANGE	28MAY2020	IT SH



1 MATERIAL: STAINLESS STEEL
 2 PLATING: PASSIVATE



2288220-2 3D VIEW
 SCALE 2:1



2288220-2
 PART NUMBER

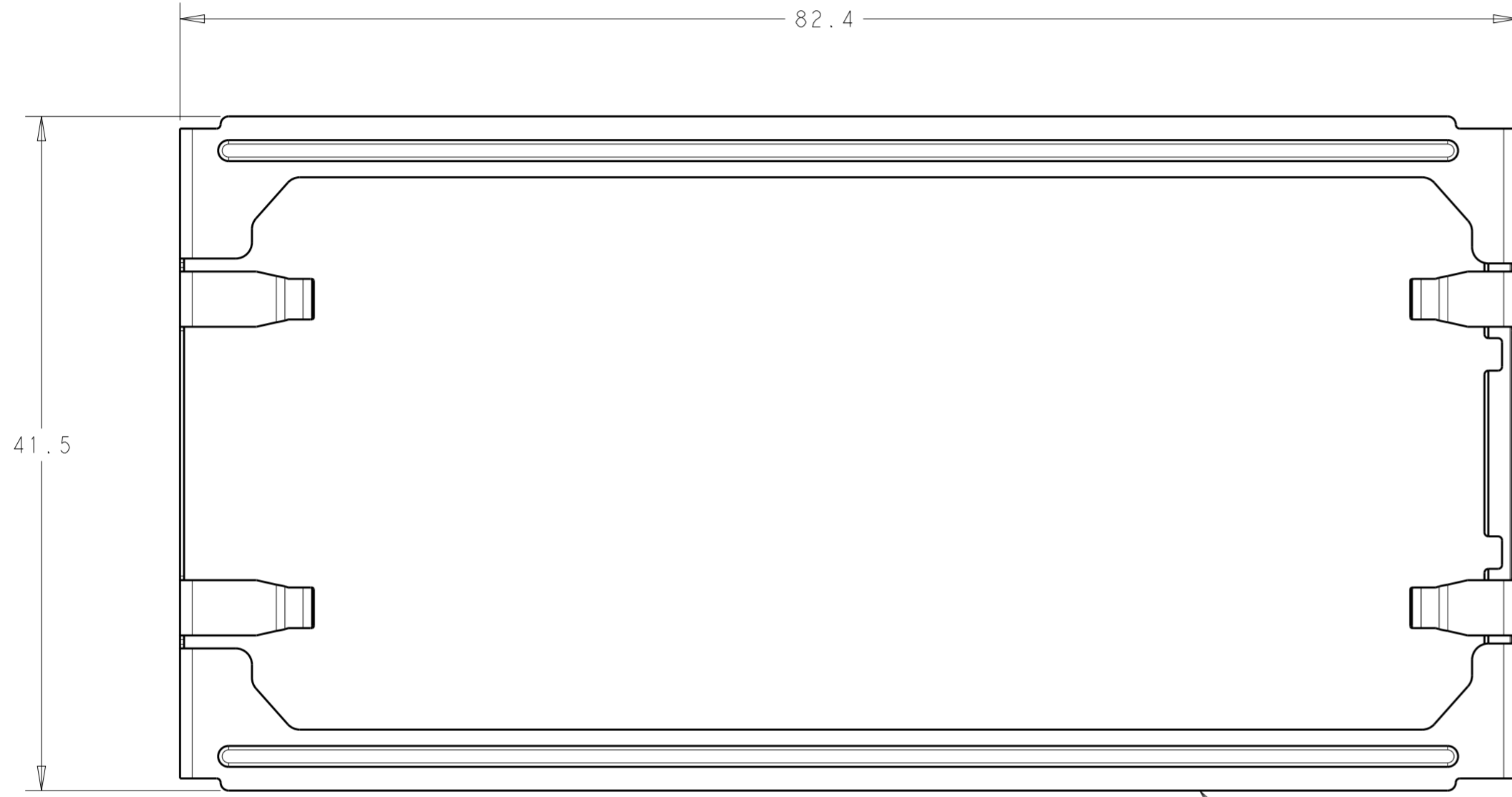
THIS DRAWING IS A CONTROLLED DOCUMENT.		DWN ANDY XIE 11OCT2016	STE TE Connectivity	
		CHK SEAN HAN 11OCT2016		
		APVD SEAN HAN 11OCT2016	NAME HEAT SINK CLIP CFP2	
DIMENSIONS:		PRODUCT SPEC	SIZE	
mm		APPLICATION SPEC	CAGE CODE	
TOLERANCES UNLESS OTHERWISE SPECIFIED:		WEIGHT	DRAWING NO	
0 PLC ±	1 PLC ±0.30	RESTRICTED TO		
2 PLC ±0.25	3 PLC ±0.15	A2 - C-2288220		
4 PLC ±	ANGLES ±	SCALE 1:1 SHEET 1 OF 2 REV A1		
FINISH		CUSTOMER DRAWING		

THIS DRAWING IS UNPUBLISHED. RELEASED FOR PUBLICATION 20
 © COPYRIGHT 20 BY - ALL RIGHTS RESERVED.

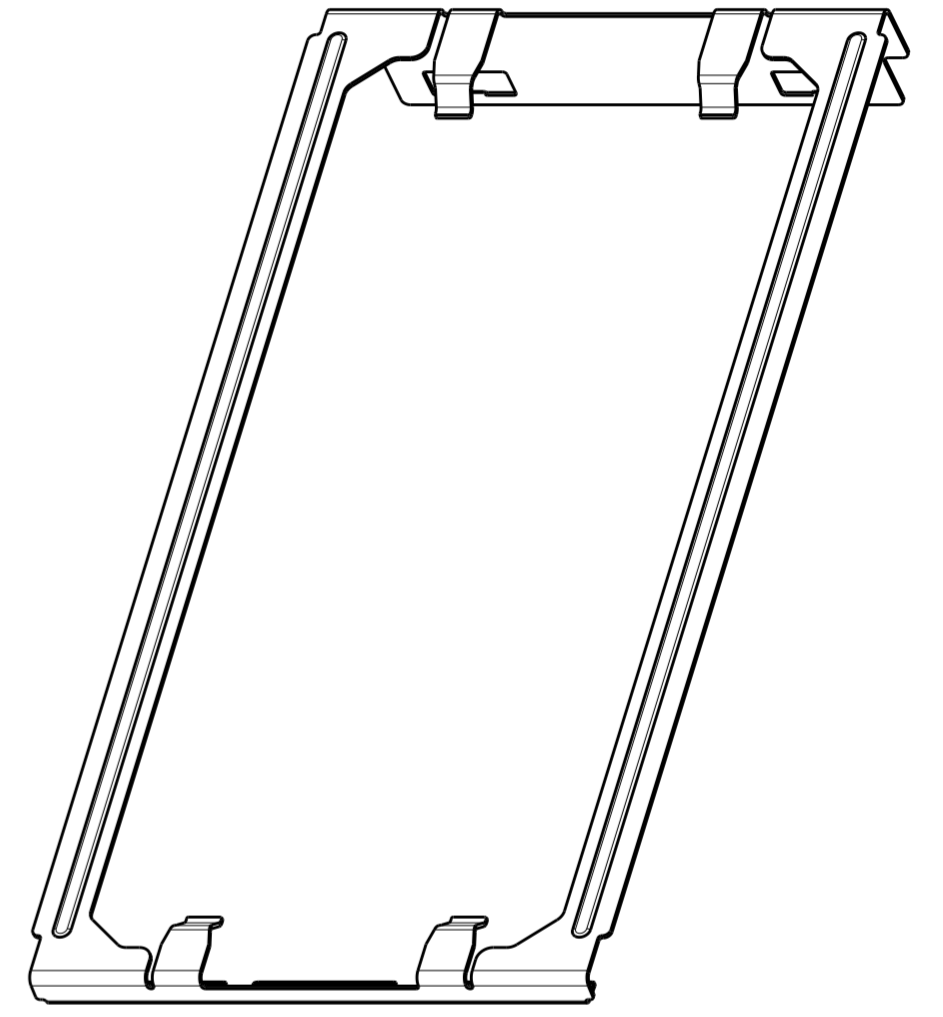
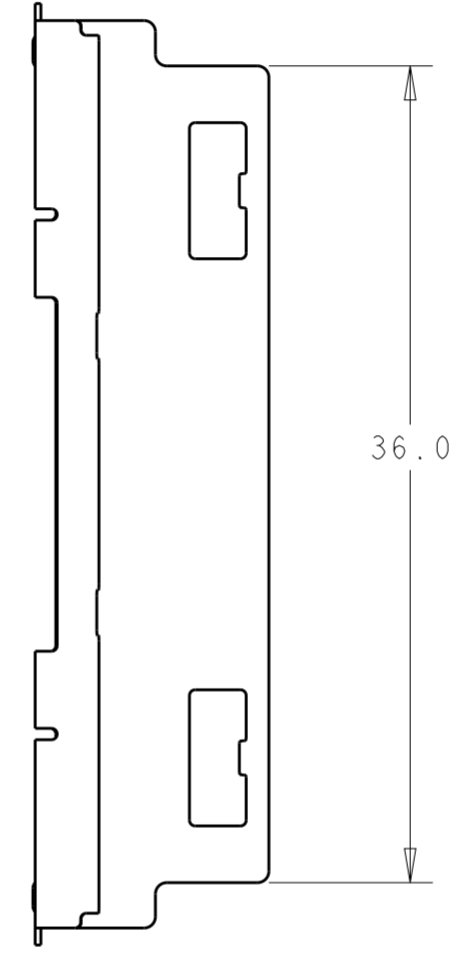
REVISIONS				
P	LTR	DESCRIPTION	DATE	APVD
-	-	SEE SHEET 1	-	-

2288220-4 AS SHOWN

SAME AS 2288220-2 BUT WITH FLAT BEAM (WITHOUT TWO SIDE FLANGE)




FLAT BEAM
2X



2288220-4 3D VIEW
SCALE 2:1



2288220-4
PART NUMBER

THIS DRAWING IS A CONTROLLED DOCUMENT.		DWN ANDY XIE 11OCT2016	 TE Connectivity	
DIMENSIONS: mm		CHK SEAN HAN 11OCT2016		
TOLERANCES UNLESS OTHERWISE SPECIFIED:		APVD SEAN HAN 11OCT2016	NAME HEAT SINK CLIP CFP2	
0 PLC ±	1 PLC ±0.30	PRODUCT SPEC	SIZE	RESTRICTED TO
2 PLC ±0.25	3 PLC ±0.15	APPLICATION SPEC	A2	-
4 PLC ±	ANGLES ±	WEIGHT	CAGE CODE	DRAWING NO
FINISH		CUSTOMER DRAWING	-	G-2288220
		SCALE	1:1	SHEET 2 OF 2
				REV A1

X-ON Electronics

Largest Supplier of Electrical and Electronic Components

Click to view similar products for [I/O Connectors](#) category:

Click to view products by [TE Connectivity](#) manufacturer:

Other Similar products are found below :

[571763P](#) [58098-0628](#) [72.250.1628.2](#) [72.250.2428.2](#) [74720-0505](#) [76.350.0729.0](#) [76871-1403](#) [FCN-244F080-G/1](#) [FCN-260A9920](#) [PCR-E36PM](#) [PCS-XE26MA+](#) [G38A71314B](#) [DX40-50P\(55\)](#) [1571250010](#) [157-22500-3](#) [MS3471L14-19P L/C](#) [91-569786-35H](#) [172501-4002](#) [172501-6002](#) [FCN-260C008-A/L0](#) [FCN-260C024-AL0](#) [FCN-261Z008](#) [2000314-1](#) [200331-1](#) [PCR-E36FC+](#) [PCS-E28FS+](#) [PCS-XE26SLFD+](#) [PCS-XE26SLFDT+](#) [G730VID08BDC24](#) [U90B2054081210](#) [UE86K842720321](#) [38113800006](#) [DP3AR020WQ1R200](#) [Z4.102.0680.0](#) [500-1040](#) [500-1052](#) [500-1054](#) [ZP-4008-66L](#) [0709821002](#) [10-565995-597N](#) [DX40-20P\(55\)](#) [5554841-1](#) [MS3474W18-8P-LC*](#) [U90B3054061110](#) [U65-E04-4020](#) [ZPF000000000097891](#) [557-262M2-06C](#) [747360449](#) [10099439-003C-TRLF](#) [10137239-0021LF](#)