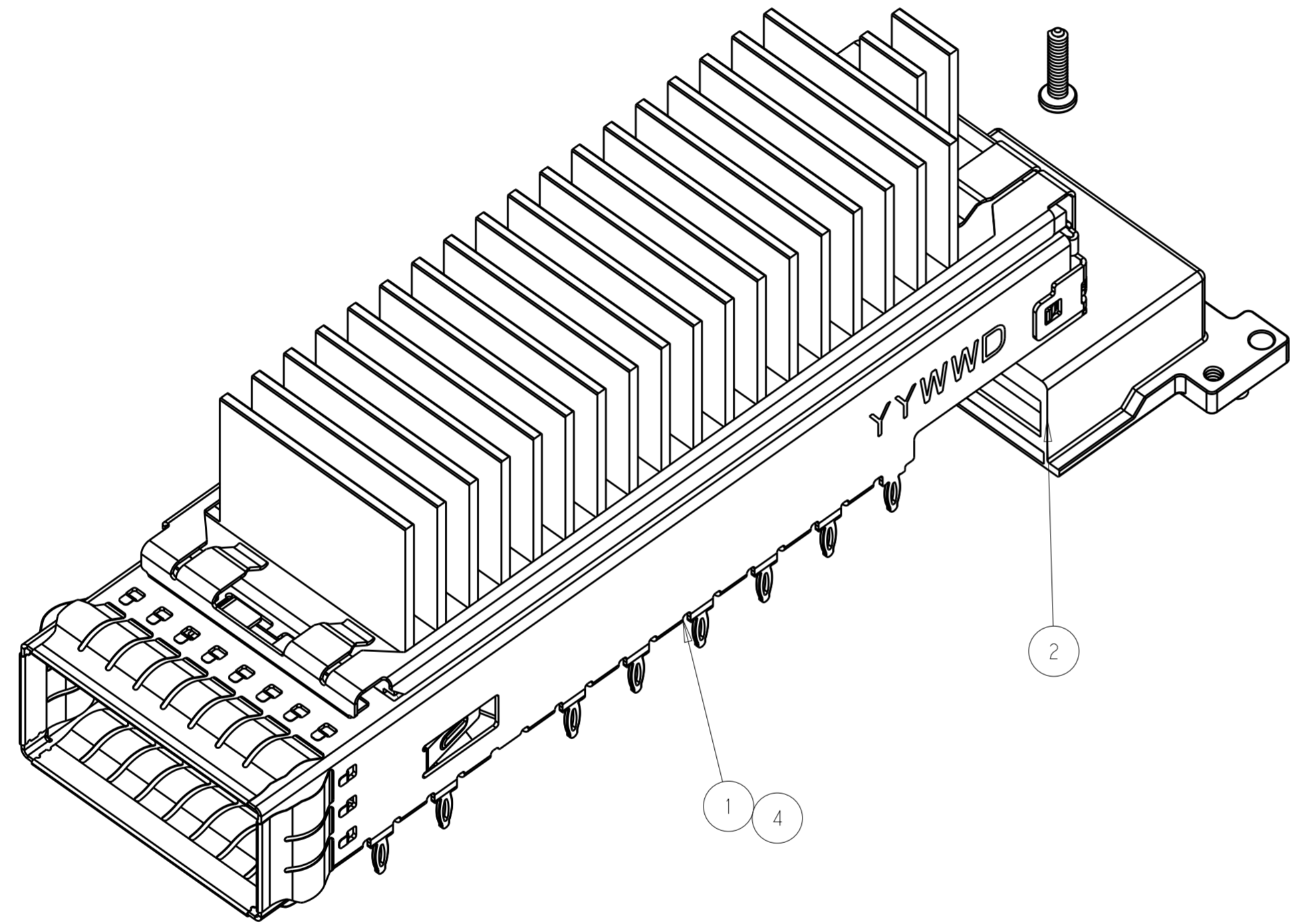


THIS DRAWING IS UNPUBLISHED. RELEASED FOR PUBLICATION 20
 © COPYRIGHT 20 BY - ALL RIGHTS RESERVED.

REVISIONS					
P	LTR	DESCRIPTION	DATE	DWN	APVD
1		PRELIMINARY DRAWING	16JUN2015	AD	SH
2		ADD NEW DASH NUMBER	19JUN2015	AD	SH
4		REVISE BOM	25JUN2015	AD	SH
8		ADDED DASH NUMBER 2288226-4	06FEB2017	TX	SH



- 1. MATERIAL : CAGE :0.3MM THICK NICKEL SILVER ALLOY;
EMI SPRING: COPPER ALLOY;
HEAT SINK CLIP: STAINLESS STEEL;
HEAT SINK:ALUMINUM ALLOY;
RECEPTACLE COVER:ZINC ALLOY;
- 2. FINISH: EMI SPRING -1.27um NICKEL PALTING OVER ALL;
HEAT SINK:BLACK ANODIZED COATING;
RECEPTACLE COVER: 1.27um MIN NICKEL PLATING OVER COPPER PLATING;
HEAT SINK CLIP: PASSIVATE;
- 3.MATES WITH CFP MSA COMPLIANT TRANSCEIVERS.
- 4.DATUM AND BASIC DIMENSION ESTABLISHED BY CUSTOMER.
- 5.MINIMUM PC BOARD THICKNESS: SIGLE SIDE APPLICATIONS=2.99±0.63mm.
- 6.PADS AND VIAS CHASSIS GROUND;
- 7:REFERENCE APPLICATION SPEC 114-XXXX,HOLE A, FOR
RECOMMENDED DRILL HOLE DIAMETER AND PLATING THICKNESS.

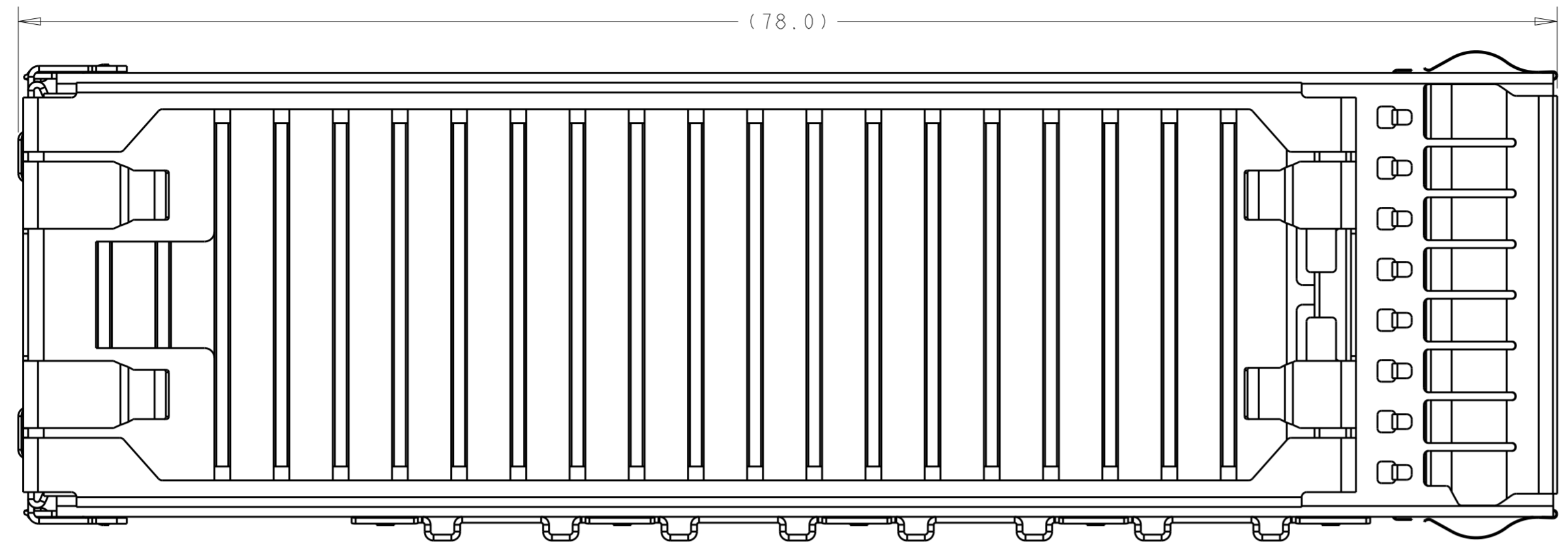
THIS PRINT IS
PRELIMINARY
 UNQUALIFIED PRODUCT
 CONTACT PRODUCT ENGINEERING
 BEFORE USING THIS PRINT

1	-	-	-	2293289-6		
-	1	-	-	2293289-5	CAGE ASSEMBLY WITH HS,CFP4 1X1	4
-	-	1	-	2293289-2		
2	2	2	2	2292789-1	SCREW	3
1	1	1	1	2288228-1	RECEPTACLE COVER ASSEMBLY	2
-	-	-	1	2293289-1	CAGE ASSEMBLY WITH HS,CFP4 1X1	1
-4	-3	-2	-1	PAR NUMBER	DESCRIPTION	ITEM

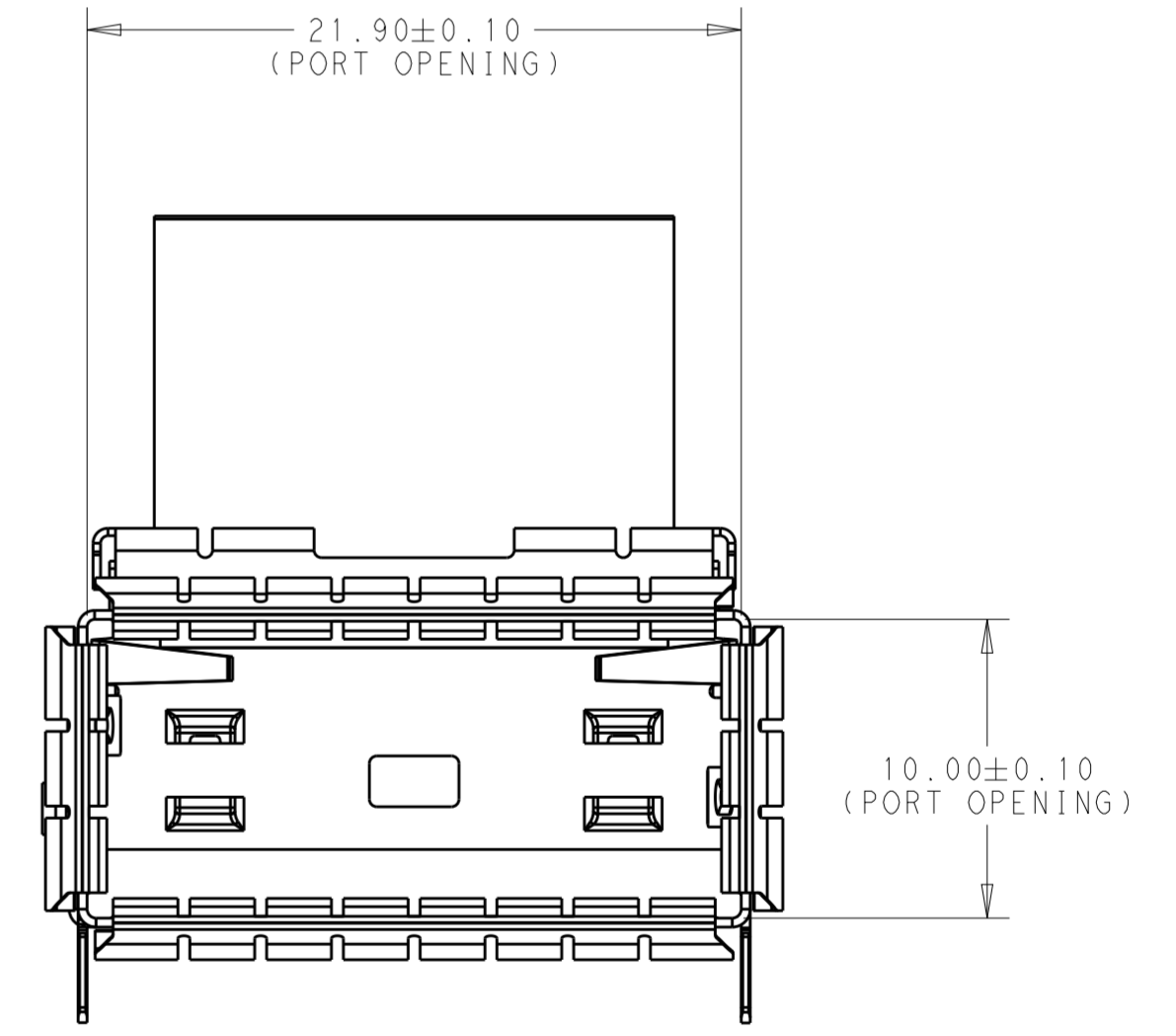
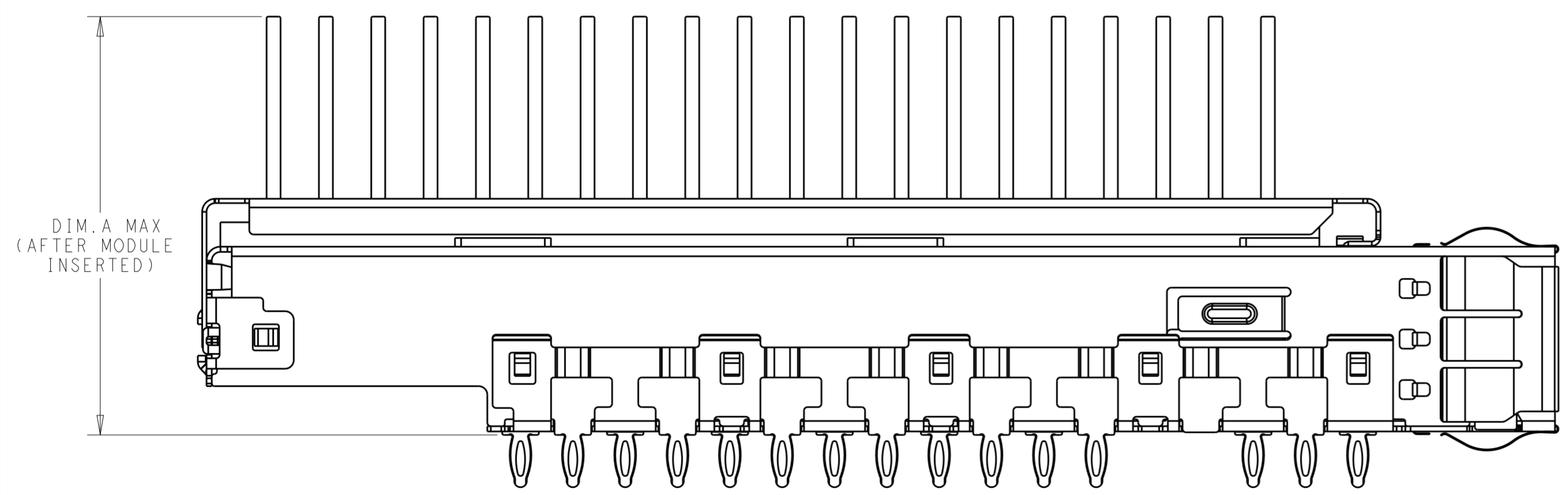
THIS DRAWING IS A CONTROLLED DOCUMENT.		DWN ANDY.XIE 12JUN2015	TE Connectivity			
DIMENSIONS: mm		CHK SEAN.HAN 12JUN2015				
TOLERANCES UNLESS OTHERWISE SPECIFIED: 0 PLC ± 1 PLC ±0.25 2 PLC ±0.13 3 PLC ±0.10 4 PLC ± ANGLES ± FINISH		APVD SEAN.HAN 12JUN2015				
MATERIAL		PRODUCT SPEC APPLICATION SPEC WEIGHT				
		NAME HARD WARE KIT FOR CFP4 1X1 PRESS FIT (CAGE, HS, HS CLIP, COVER, SCREW)	SIZE A2	CAGE CODE -	DRAWING NO G-2288226	RESTRICTED TO -
		CUSTOMER DRAWING	SCALE 1:1	SHEET 1	OF 7	REV 8

THIS DRAWING IS UNPUBLISHED. RELEASED FOR PUBLICATION 20
 © COPYRIGHT 20 BY - ALL RIGHTS RESERVED.

REVISIONS				
P	LTR	DESCRIPTION	DATE	APVD
-		SEE SHEET 1	-	-



THIS PRINT IS
PRELIMINARY
 UNQUALIFIED PRODUCT
 CONTACT PRODUCT ENGINEERING
 BEFORE USING THIS PRINT

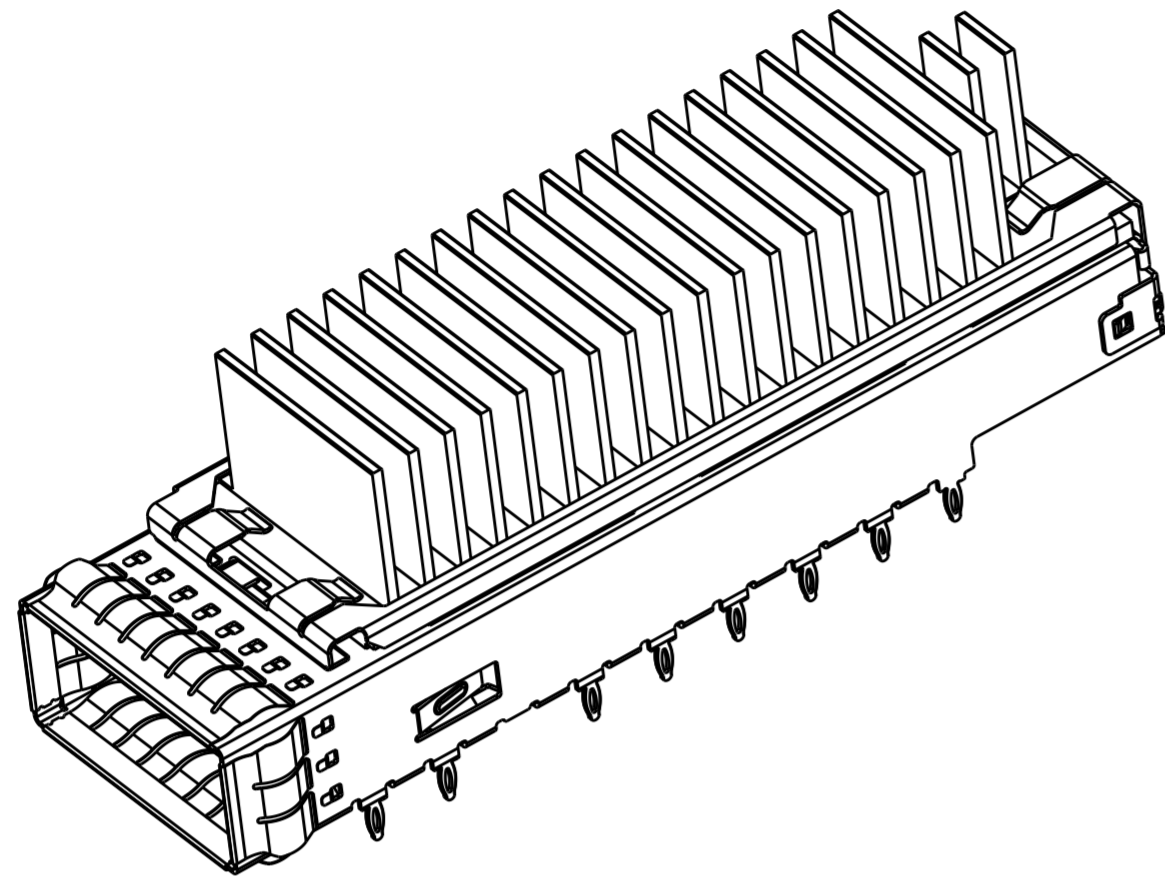


18.5MAX	2293289-6
18.5MAX	2293289-5
25MAX	2293289-2
25MAX	2293289-1
DIM. A	PART NUMBER

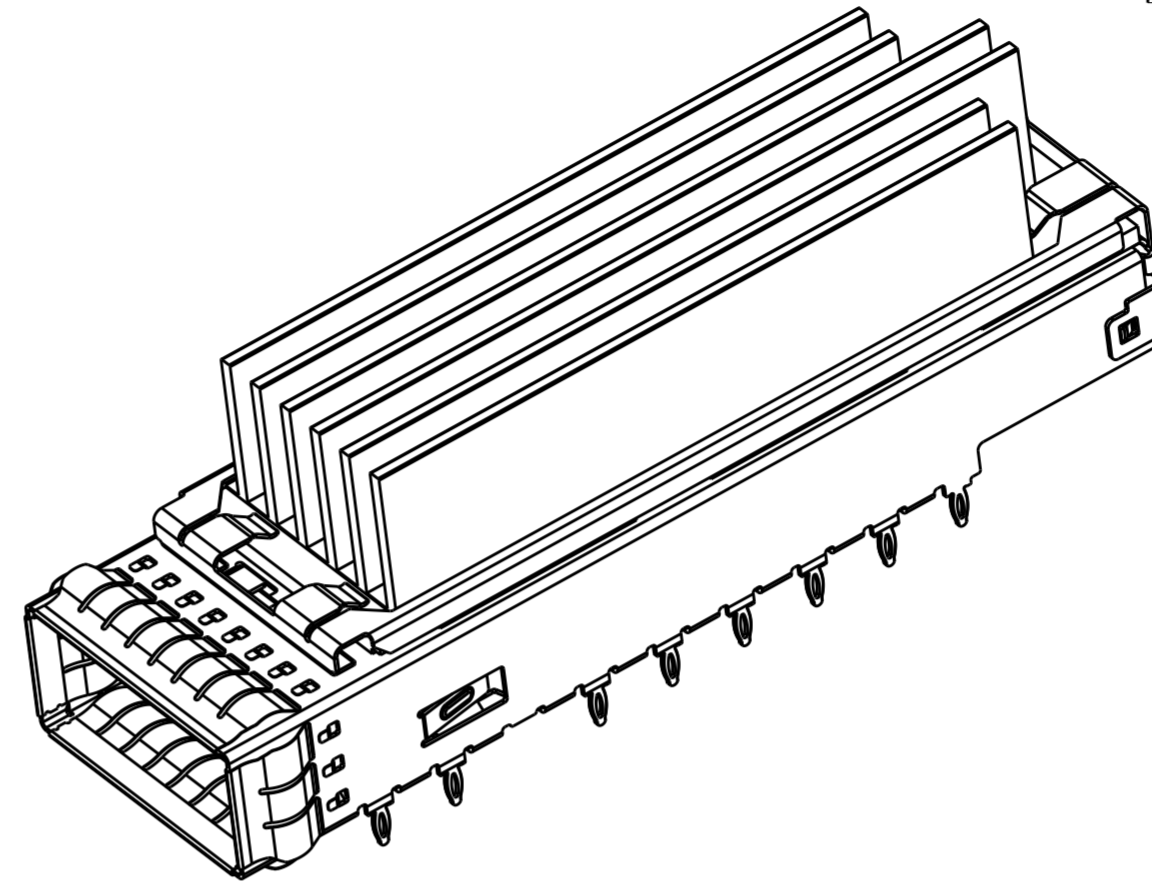
THIS DRAWING IS A CONTROLLED DOCUMENT.		DWN ANDY.XIE 12JUN2015	TE Connectivity NAME HARD WARE KIT FOR CFP4 1X1 PRESS FIT (CAGE, HS, HS CLIP, COVER, SCREW)	
DIMENSIONS:		CHK SEAN.HAN 12JUN2015		
TOLERANCES UNLESS OTHERWISE SPECIFIED:		APVD SEAN.HAN 12JUN2015		
mm		PRODUCT SPEC		
0 PLC ± 1 PLC ±0.25 2 PLC ±0.13 3 PLC ±0.10 4 PLC ± ANGLES ± FINISH ±		APPLICATION SPEC	SIZE A2	CAGE CODE -
MATERIAL		WEIGHT	DRAWING NO C-2288226	RESTRICTED TO -
-		CUSTOMER DRAWING	SCALE 1:1	SHEET 2 OF 7
			REV 8	

THIS DRAWING IS UNPUBLISHED. RELEASED FOR PUBLICATION 20
 © COPYRIGHT 20 BY - ALL RIGHTS RESERVED.

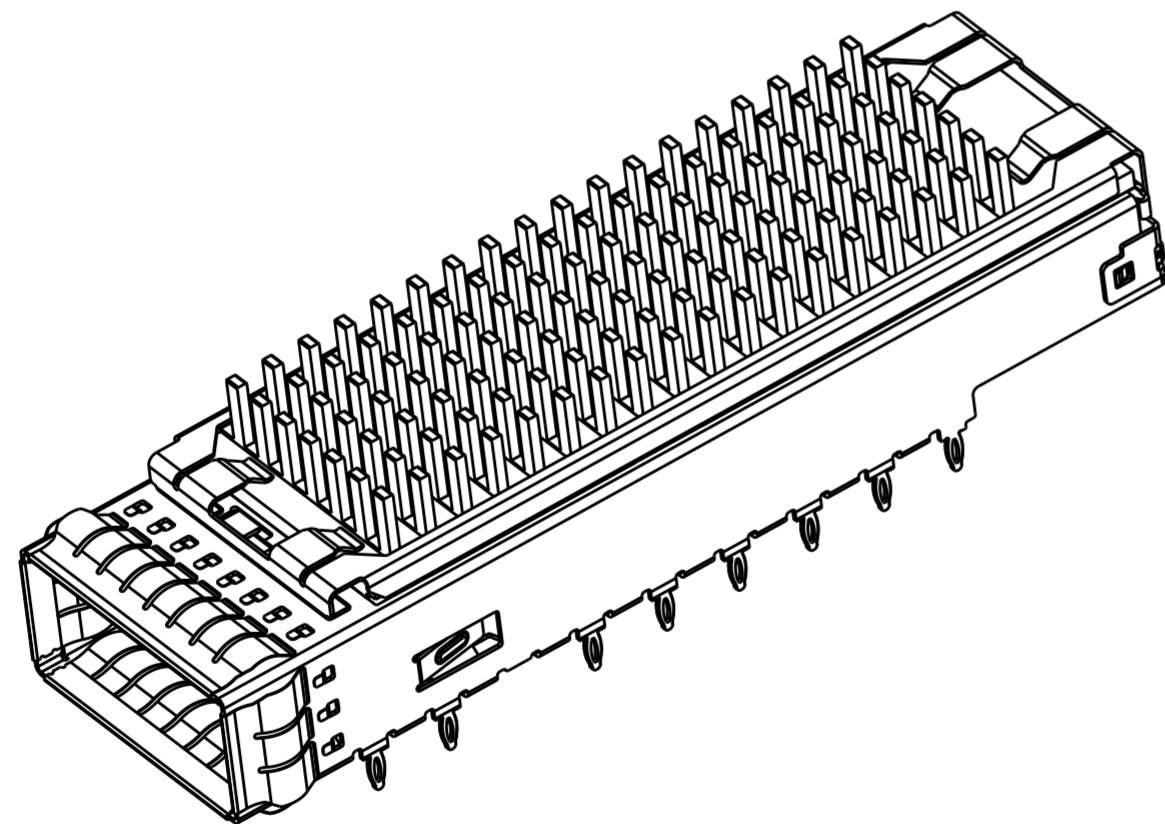
REVISIONS				
P	LTR	DESCRIPTION	DATE	APVD
-		SEE SHEET 1	-	-



2293289-1
 2293289-6
 SCALE 2:1


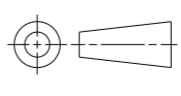


2293289-2
 SCALE 2:1



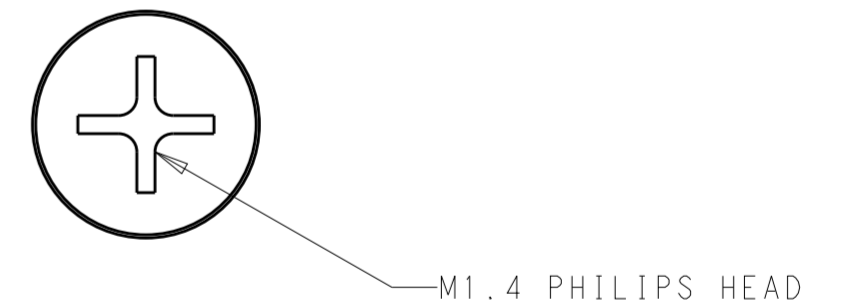
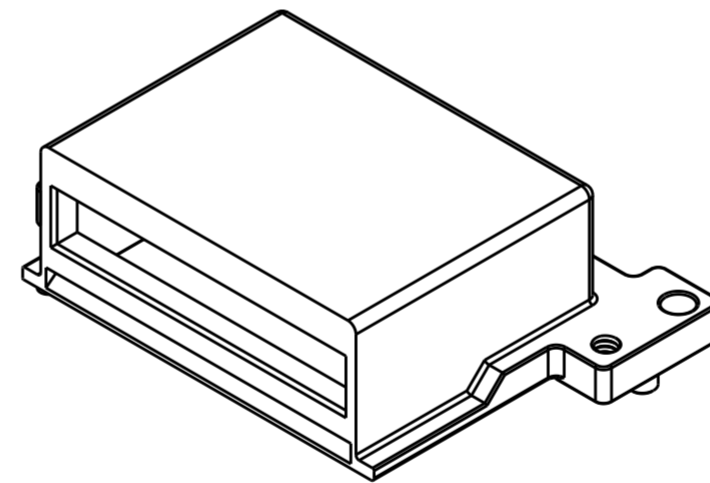
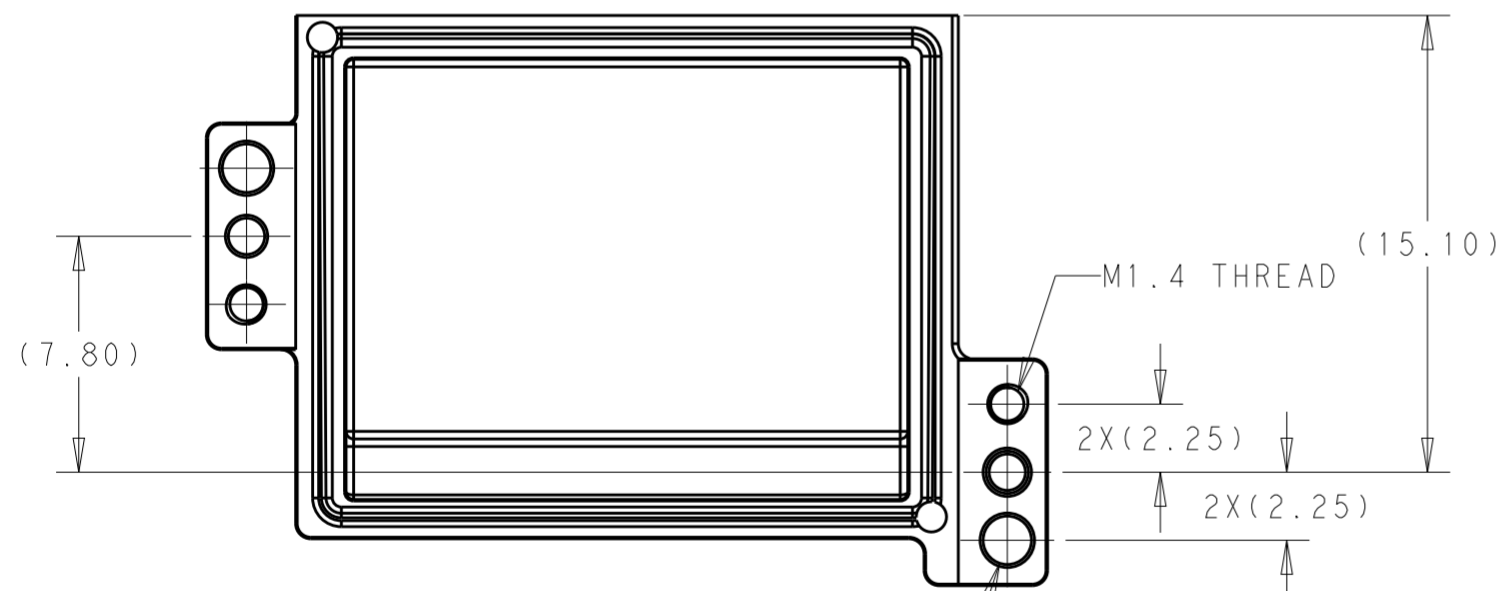
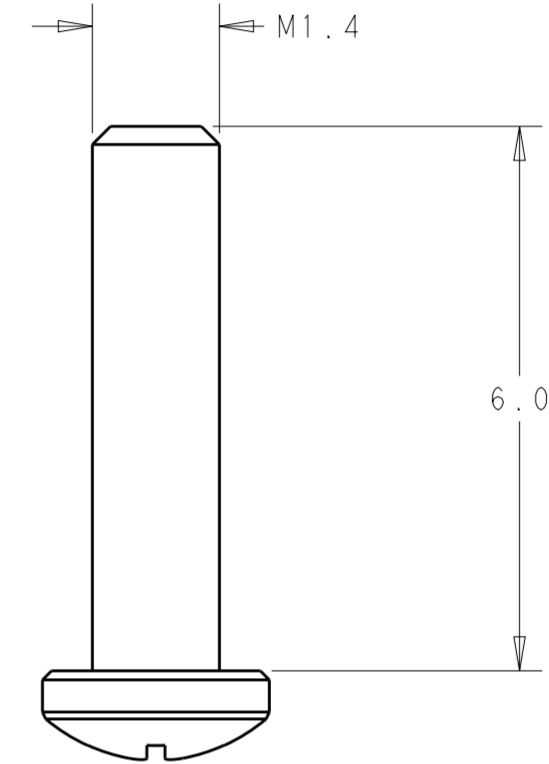
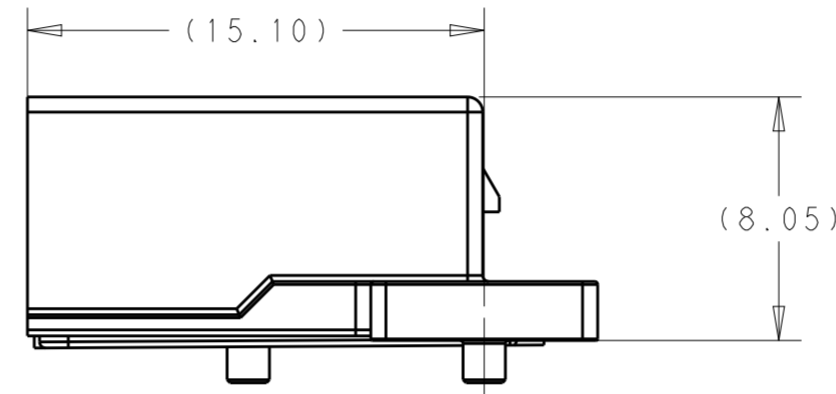
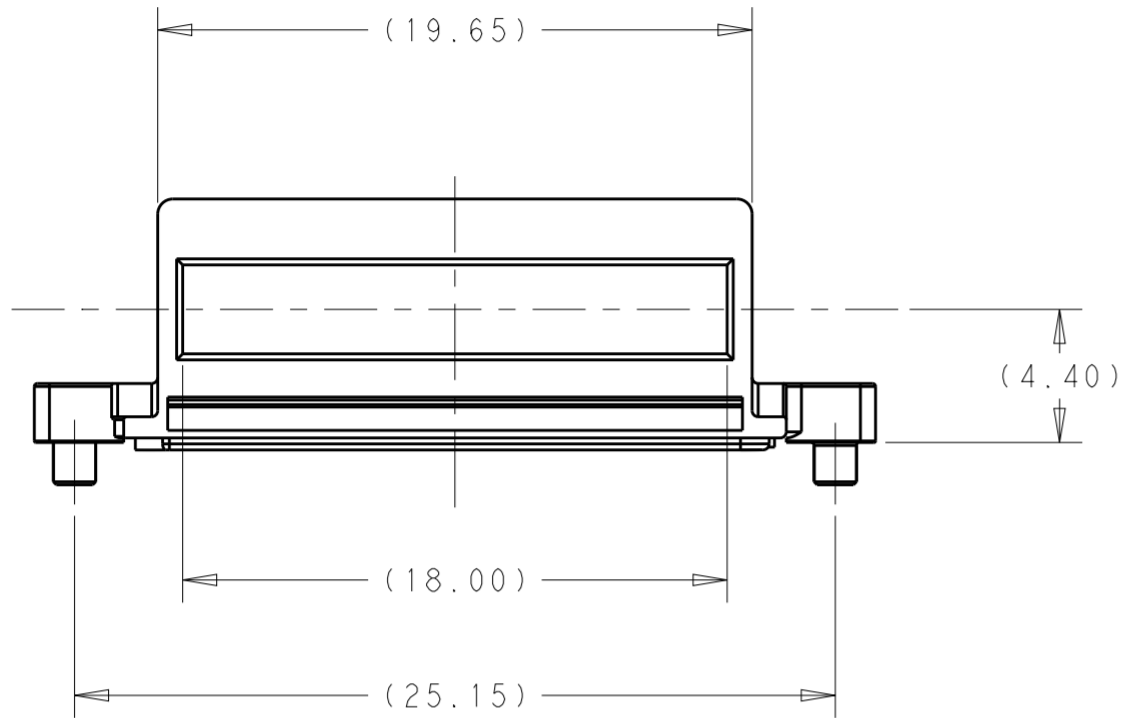
2293289-5
 SCALE 2:1

THIS PRINT IS
PRELIMINARY
 UNQUALIFIED PRODUCT
 CONTACT PRODUCT ENGINEERING
 BEFORE USING THIS PRINT

THIS DRAWING IS A CONTROLLED DOCUMENT.		DWN ANDY.XIE 12JUN2015	 TE Connectivity	
		CHK SEAN.HAN 12JUN2015		
		APVD SEAN.HAN 12JUN2015		
		PRODUCT SPEC		
DIMENSIONS: mm 		NAME HARD WARE KIT FOR CFP4 1X1 PRESS FIT (CAGE, HS, HS CLIP, COVER, SCREW)		RESTRICTED TO
TOLERANCES UNLESS OTHERWISE SPECIFIED: 0 PLC ± 1 PLC ±0.25 2 PLC ±0.13 3 PLC ±0.10 4 PLC ± ANGLES ± FINISH ±		APPLICATION SPEC - WEIGHT -		SIZE A2
MATERIAL		CUSTOMER DRAWING		CAGE CODE -
		DRAWING NO C-2288226		SCALE 1:1
		SHEET 3 OF 7		REV 8

THIS DRAWING IS UNPUBLISHED. RELEASED FOR PUBLICATION 20
 © COPYRIGHT 20 BY - ALL RIGHTS RESERVED.

REVISIONS				
P	LTR	DESCRIPTION	DATE	APVD
-	-	SEE SHEET 1	-	-



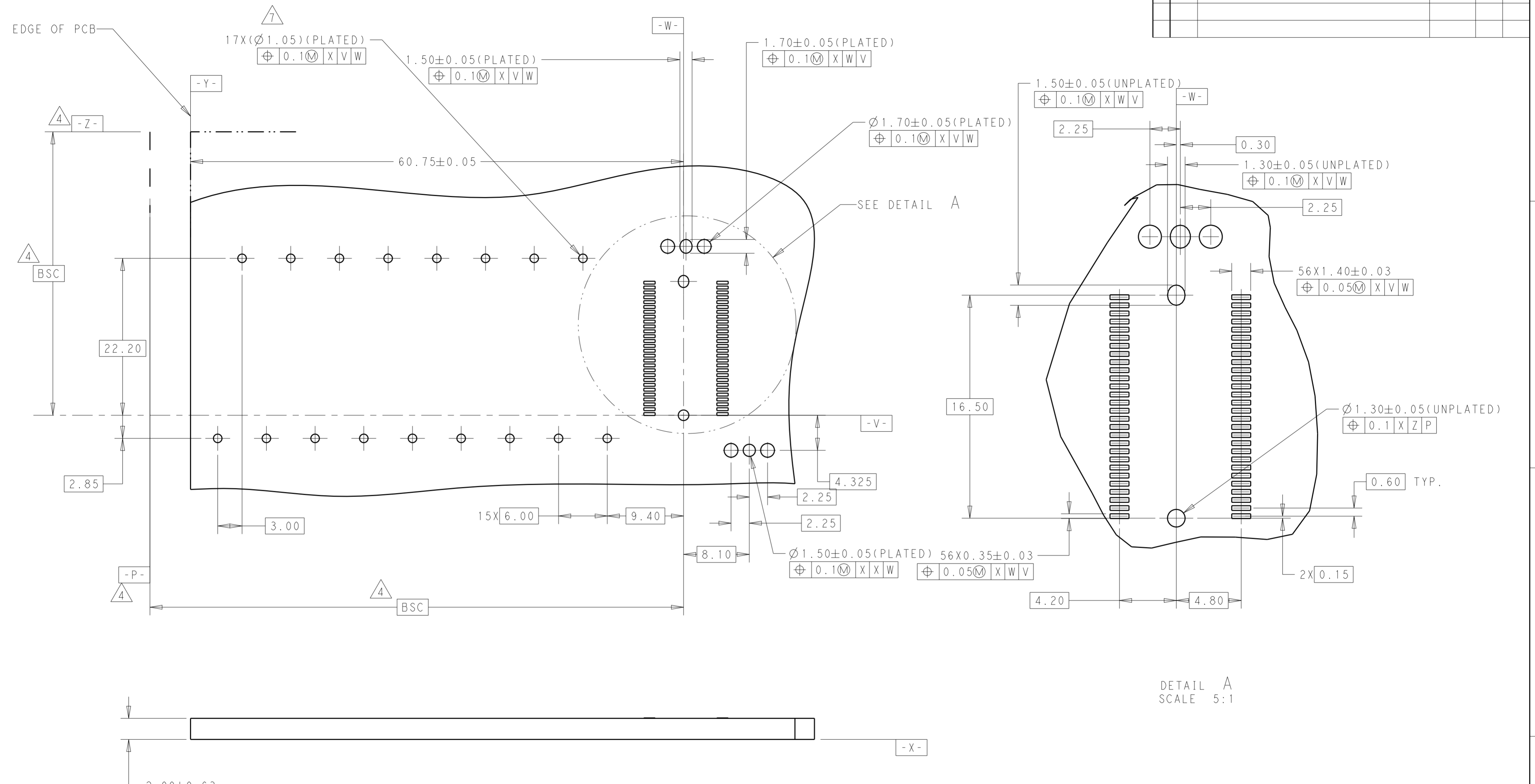
EM120160 ±0.08

THIS PRINT IS
PRELIMINARY
 UNQUALIFIED PRODUCT
 CONTACT PRODUCT ENGINEERING
 BEFORE USING THIS PRINT

THIS DRAWING IS A CONTROLLED DOCUMENT.		DWN ANDY.XIE 12JUN2015	TE Connectivity	
DIMENSIONS: mm		CHK SEAN.HAN 12JUN2015		
TOLERANCES UNLESS OTHERWISE SPECIFIED:		APVD SEAN.HAN 12JUN2015	NAME HARD WARE KIT FOR CFP4 1X1 PRESS FIT (CAGE, HS, HS CLIP, COVER, SCREW)	
0 PLC ± 1 PLC ±0.25 2 PLC ±0.13 3 PLC ±0.10 4 PLC ± ANGLES ± FINISH ±		PRODUCT SPEC -	SIZE A2	CAGE CODE -
MATERIAL -		APPLICATION SPEC -	DRAWING NO C-2288226	RESTRICTED TO -
-		WEIGHT -	SCALE 1:1 SHEET 4 OF 7 REV 8	
CUSTOMER DRAWING				

THIS DRAWING IS UNPUBLISHED. RELEASED FOR PUBLICATION 20
 © COPYRIGHT 20 BY - ALL RIGHTS RESERVED.

REVISIONS				
P	LTR	DESCRIPTION	DATE	APVD
-	-	SEE SHEET 1	-	-

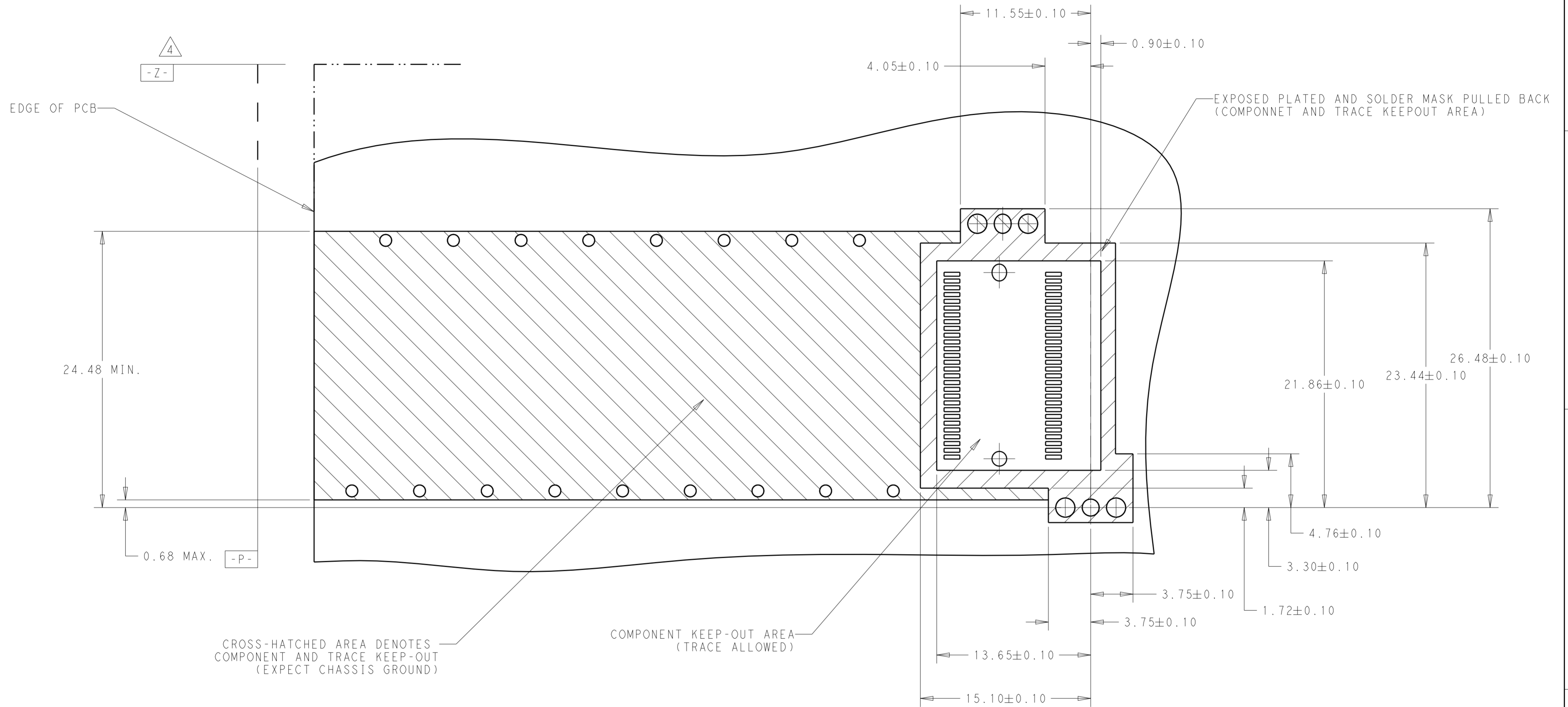


THIS PRINT IS
PRELIMINARY
 UNQUALIFIED PRODUCT
 CONTACT PRODUCT ENGINEERING
 BEFORE USING THIS PRINT

THIS DRAWING IS A CONTROLLED DOCUMENT.		DWN ANDY.XIE 12JUN2015	TE Connectivity																						
DIMENSIONS: mm		CHK SEAN.HAN 12JUN2015																							
TOLERANCES UNLESS OTHERWISE SPECIFIED:		APVD SEAN.HAN 12JUN2015	NAME HARD WARE KIT FOR CFP4 1X1 PRESS FIT (CAGE, HS, HS CLIP, COVER, SCREW)																						
<table border="0"> <tr> <td>0 PLC</td> <td>±</td> <td></td> </tr> <tr> <td>1 PLC</td> <td>±0.25</td> <td></td> </tr> <tr> <td>2 PLC</td> <td>±0.13</td> <td></td> </tr> <tr> <td>3 PLC</td> <td>±0.10</td> <td></td> </tr> <tr> <td>4 PLC</td> <td>±</td> <td></td> </tr> <tr> <td>ANGLES</td> <td>±</td> <td></td> </tr> <tr> <td>FINISH</td> <td></td> <td></td> </tr> </table>		0 PLC	±		1 PLC	±0.25		2 PLC	±0.13		3 PLC	±0.10		4 PLC	±		ANGLES	±		FINISH			PRODUCT SPEC -	SIZE A2	CAGE CODE -
0 PLC	±																								
1 PLC	±0.25																								
2 PLC	±0.13																								
3 PLC	±0.10																								
4 PLC	±																								
ANGLES	±																								
FINISH																									
MATERIAL -		APPLICATION SPEC -	DRAWING NO. C-2288226	RESTRICTED TO -																					
		WEIGHT -	SCALE 1:1	SHEET 5 OF 7																					
		CUSTOMER DRAWING	REV 8																						

THIS DRAWING IS UNPUBLISHED. RELEASED FOR PUBLICATION 20
 © COPYRIGHT 20 BY - ALL RIGHTS RESERVED.

REVISIONS				
P	LTR	DESCRIPTION	DATE	APVD
-	-	SEE SHEET 1	-	-



CROSS-HATCHED AREA DENOTES COMPONENT AND TRACE KEEP-OUT (EXPECT CHASSIS GROUND)

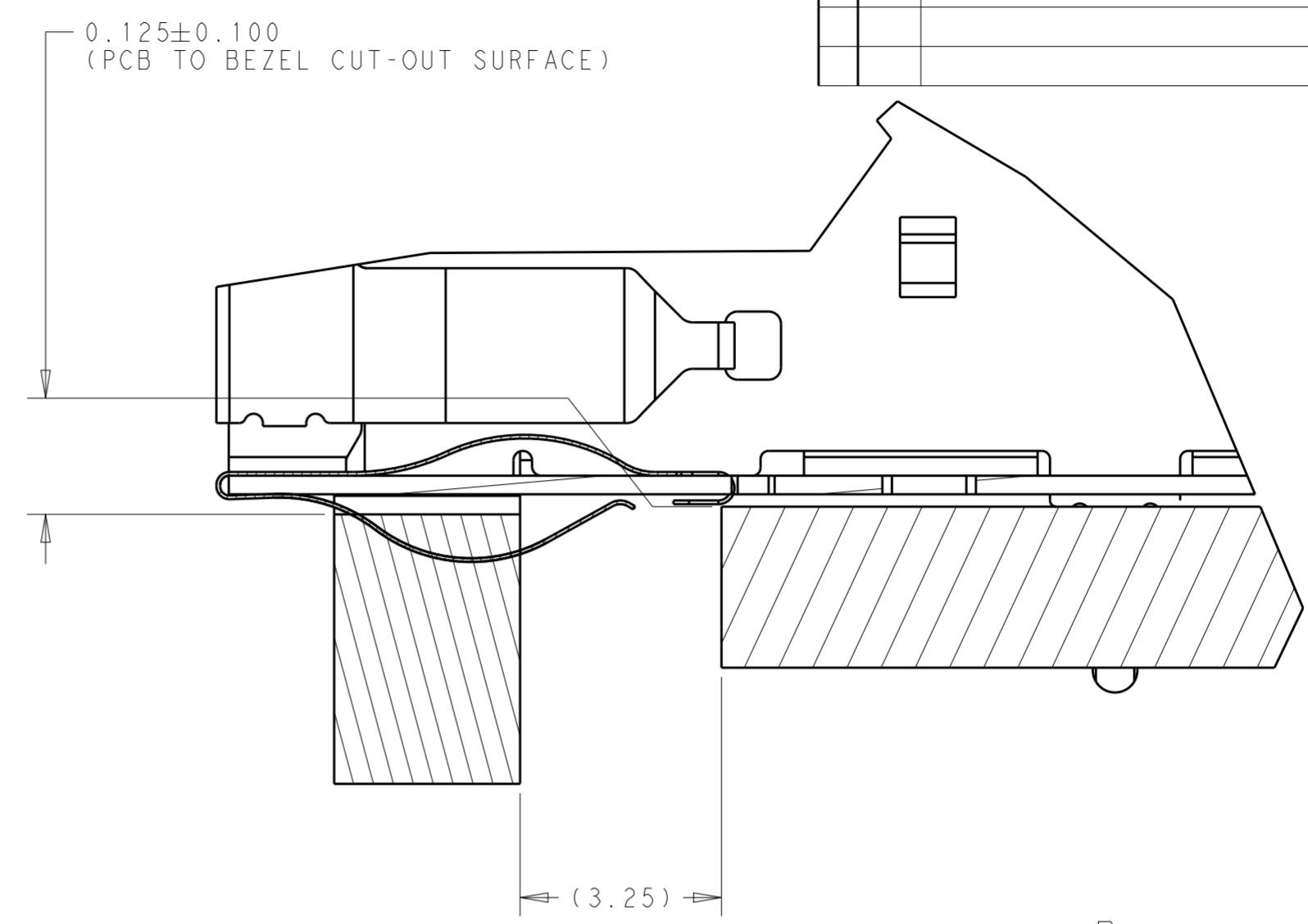
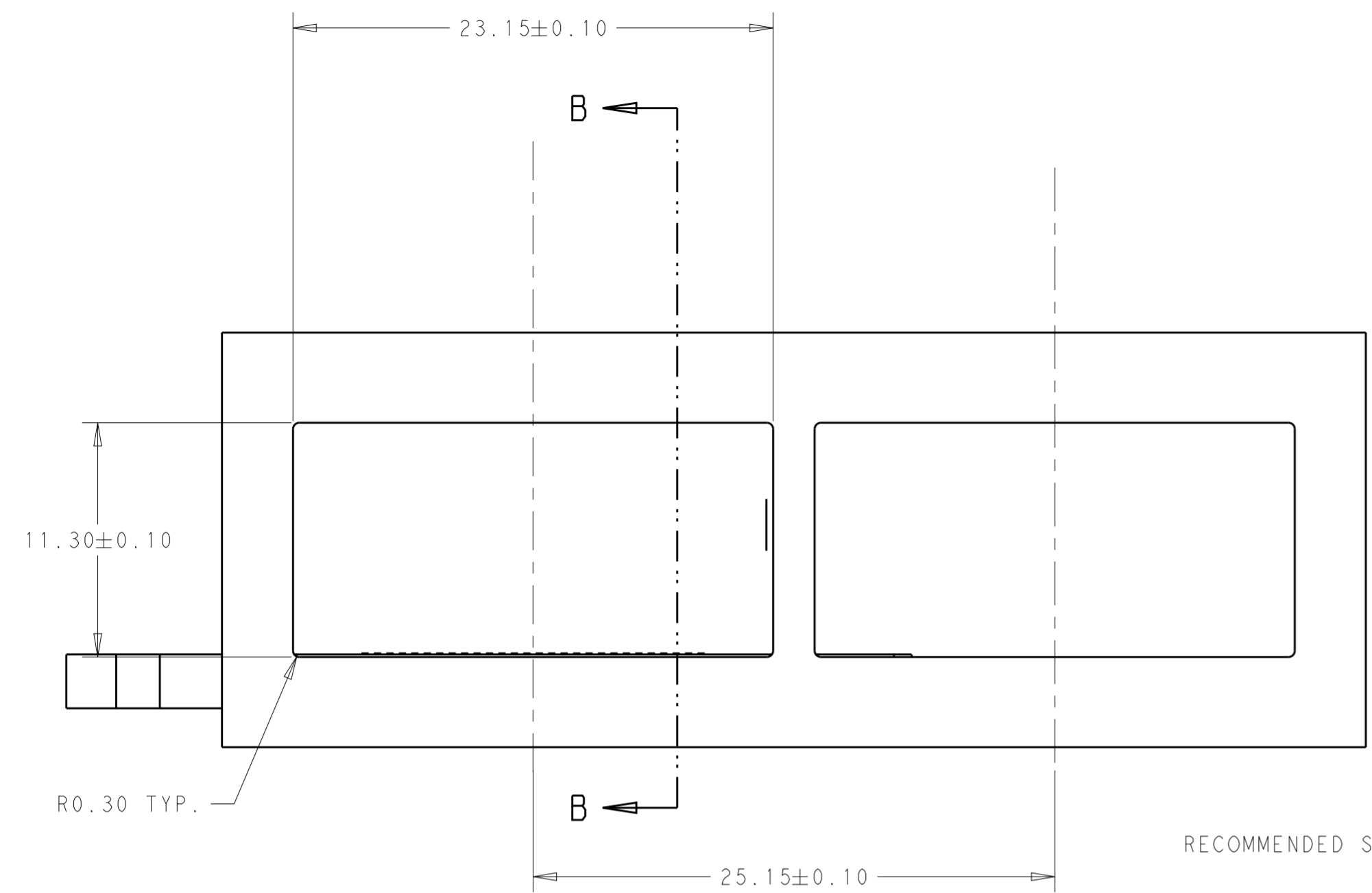
COMPONENT KEEP-OUT AREA (TRACE ALLOWED)

THIS PRINT IS
PRELIMINARY
 UNQUALIFIED PRODUCT
 CONTACT PRODUCT ENGINEERING
 BEFORE USING THIS PRINT

THIS DRAWING IS A CONTROLLED DOCUMENT.		DWN ANDY.XIE 12JUN2015	TE Connectivity	
DIMENSIONS: mm		CHK SEAN.HAN 12JUN2015		
TOLERANCES UNLESS OTHERWISE SPECIFIED:		APVD SEAN.HAN 12JUN2015	NAME HARD WARE KIT FOR CFP4 1X1 PRESS FIT (CAGE, HS, HS CLIP, COVER, SCREW)	
0 PLC ± 1 PLC ±0.25 2 PLC ±0.13 3 PLC ±0.10 4 PLC ±		PRODUCT SPEC -	SIZE A2	CAGE CODE -
MATERIAL -		APPLICATION SPEC -	DRAWING NO. C-2288226	RESTRICTED TO -
ANGLES FINISH		WEIGHT -	SCALE 1:1	SHEET 6 OF 7
CUSTOMER DRAWING		REV 8		

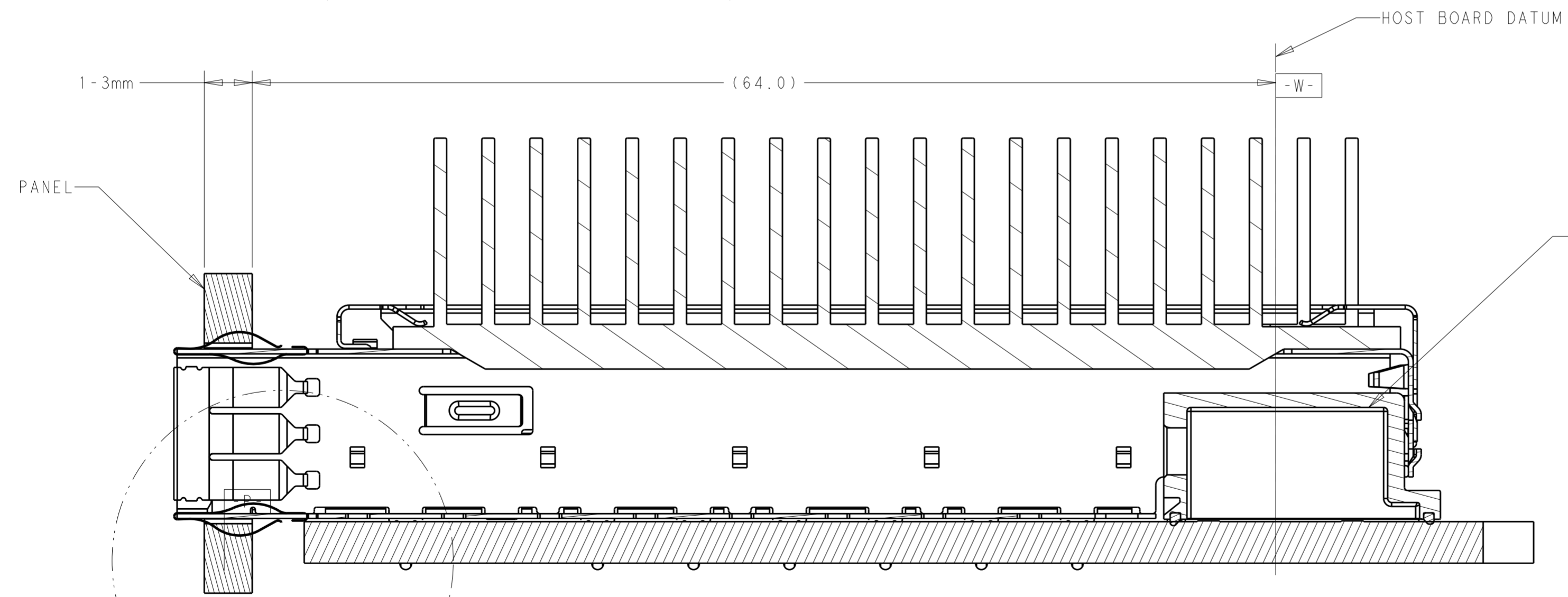
THIS DRAWING IS UNPUBLISHED. RELEASED FOR PUBLICATION 20
 © COPYRIGHT 20 BY - ALL RIGHTS RESERVED.

REVISIONS				
P	LTR	DESCRIPTION	DATE	APVD
-	-	SEE SHEET 1	-	-



RECOMMENDED SINGLE SIDE APPLICATION

DETAIL B
SCALE 10:1



THIS PRINT IS
PRELIMINARY
 UNQUALIFIED PRODUCT
 CONTACT PRODUCT ENGINEERING
 BEFORE USING THIS PRINT

SECTION B-B
SCALE 4:1

THIS DRAWING IS A CONTROLLED DOCUMENT.		DWN ANDY.XIE 12JUN2015	TE Connectivity	
DIMENSIONS: mm		CHK SEAN.HAN 12JUN2015		
TOLERANCES UNLESS OTHERWISE SPECIFIED:		APVD SEAN.HAN 12JUN2015	NAME HARD WARE KIT FOR CFP4 1X1 PRESS FIT (CAGE, HS, HS CLIP, COVER, SCREW)	
0 PLC ± 1 PLC ±0.25 2 PLC ±0.13 3 PLC ±0.10 4 PLC ± ANGLES ± FINISH ±		PRODUCT SPEC -	SIZE A2	CAGE CODE -
MATERIAL -		APPLICATION SPEC -	DRAWING NO. C-2288226	RESTRICTED TO -
-		WEIGHT -	SCALE 1:1 SHEET 7 OF 7 REV 8	
-		CUSTOMER DRAWING		

X-ON Electronics

Largest Supplier of Electrical and Electronic Components

Click to view similar products for [I/O Connectors](#) category:

Click to view products by [TE Connectivity](#) manufacturer:

Other Similar products are found below :

[571763P](#) [72.250.1628.2](#) [72.250.2428.2](#) [74720-0505](#) [76.350.0729.0](#) [76871-1403](#) [FCN-244F080-G/1](#) [FCN-260A9920](#) [MP-5T180MUNNA-005](#)
[PCR-E36PM](#) [PCS-XE26MA+](#) [G38A71314B](#) [1571250010](#) [157-22500-3](#) [MS3471L14-19P L/C](#) [91-569786-35H](#) [172501-4002](#) [172501-6002](#)
[FCN-260C008-A/L0](#) [FCN-260C024-AL0](#) [FCN-261Z008](#) [2000314-1](#) [200331-1](#) [PCR-E36FC+](#) [PCS-E28FS+](#) [PCS-XE26SLFD+](#) [PCS-](#)
[XE26SLFDT+](#) [G730VID08BDC24](#) [U90B2054081210](#) [UE86K842720321](#) [38113800006](#) [DP3AR020WQ1R200](#) [Z4.102.0680.0](#) [500-1040](#)
[500-1052](#) [500-1054](#) [ZP-4008-66L](#) [0709821002](#) [10-565995-597N](#) [DX40-20P\(55\)](#) [5554841-1](#) [U90B3054061110](#) [U65-E04-4020](#)
[ZPF00000000097891](#) [557-262M2-06C](#) [747360449](#) [10099439-003C-TRLF](#) [10137239-0021LF](#) [E9320-001-01](#) [10137239-0011LF](#)