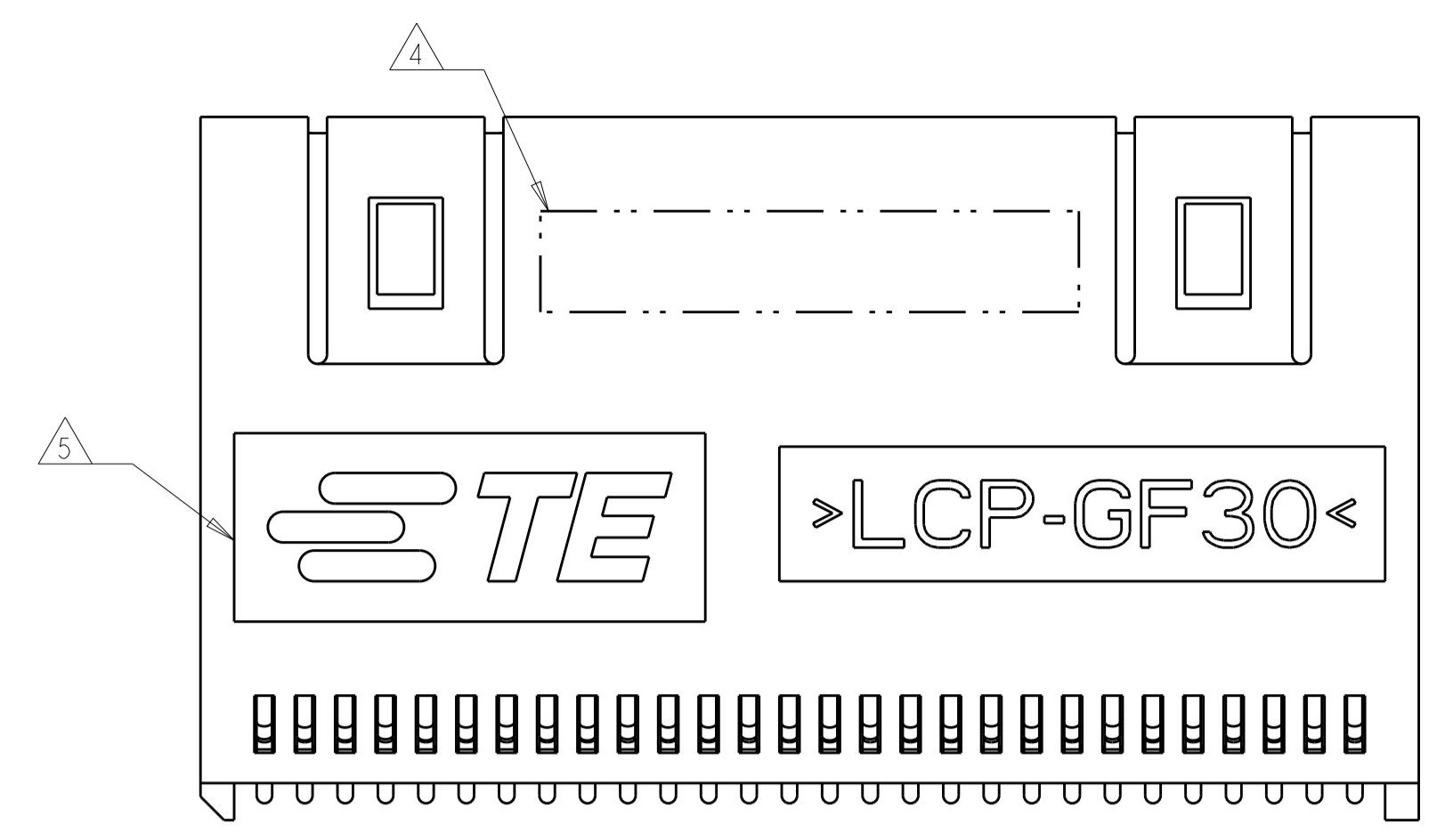
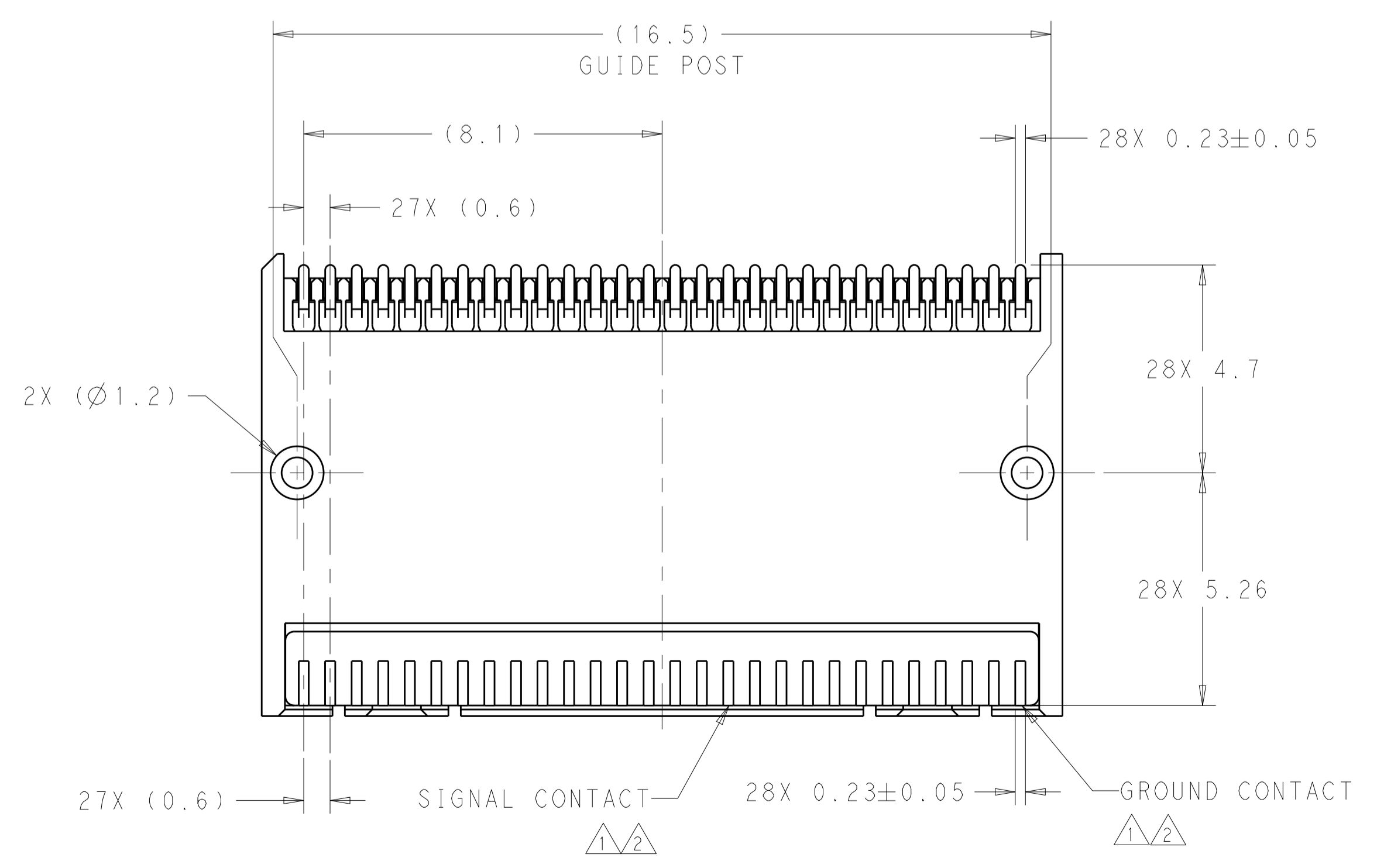
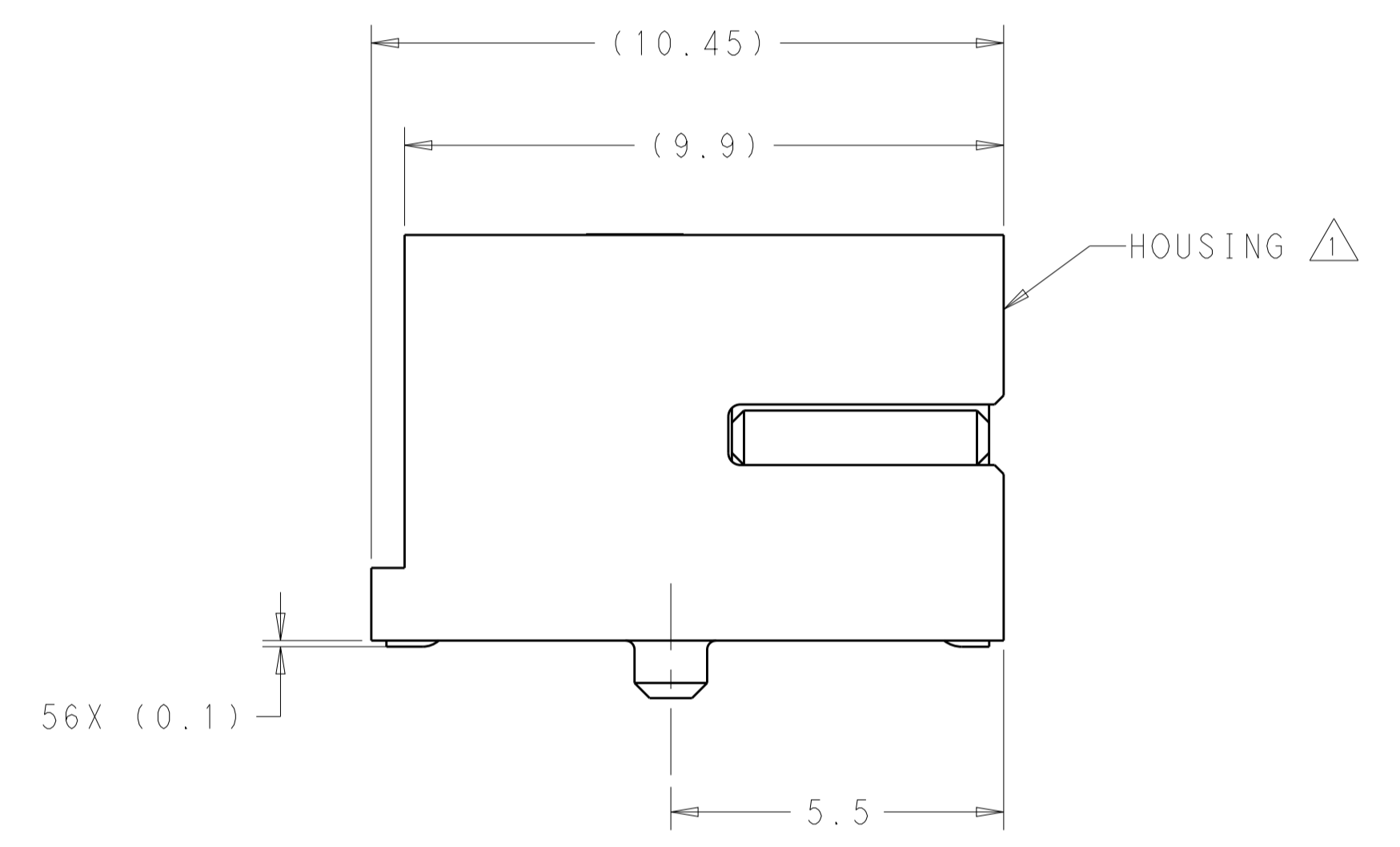
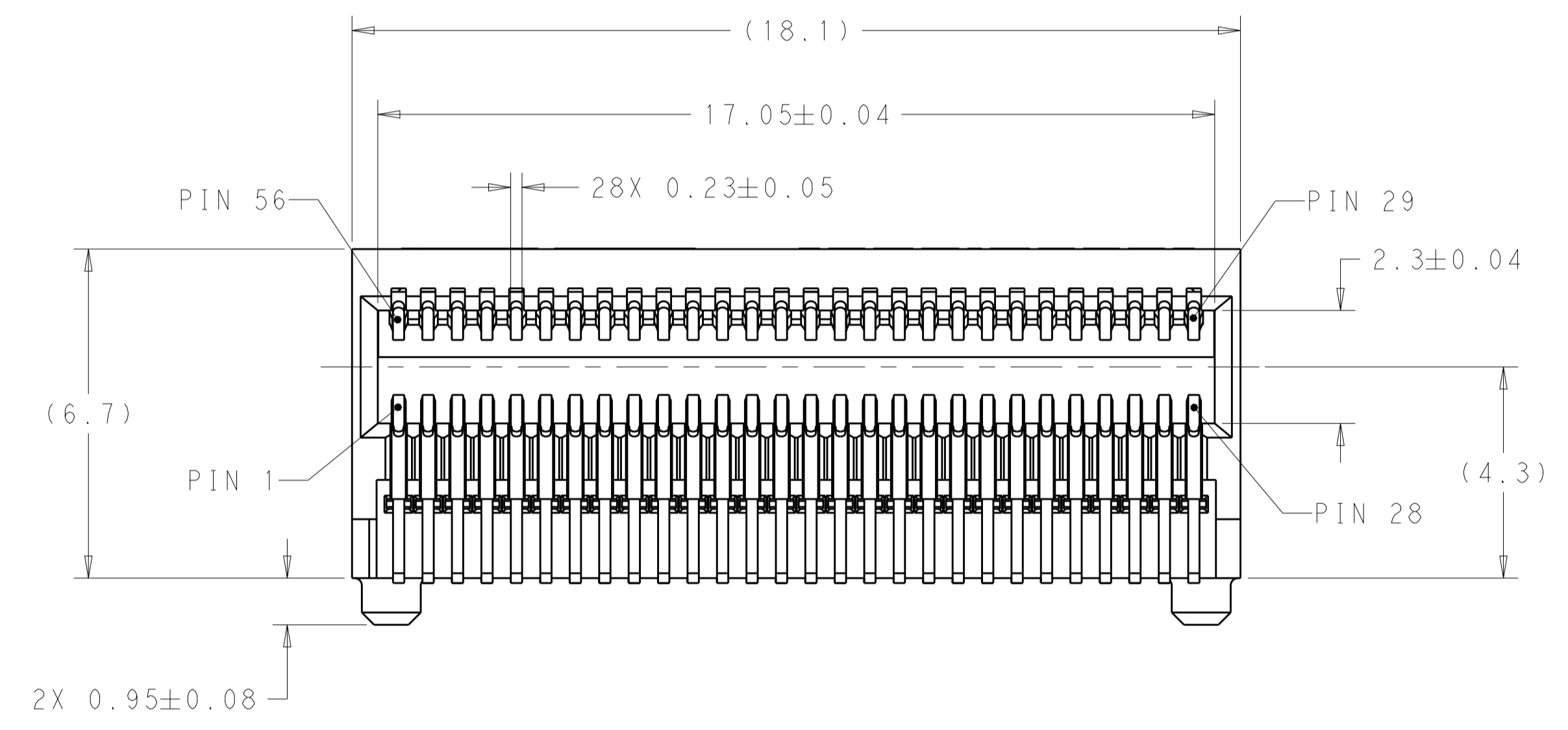


REVISIONS				
P.	LTN.	DESCRIPTION	DATE	APVD.
A		RELEASED PER ECO-18-005803	26APR2018	MS JW



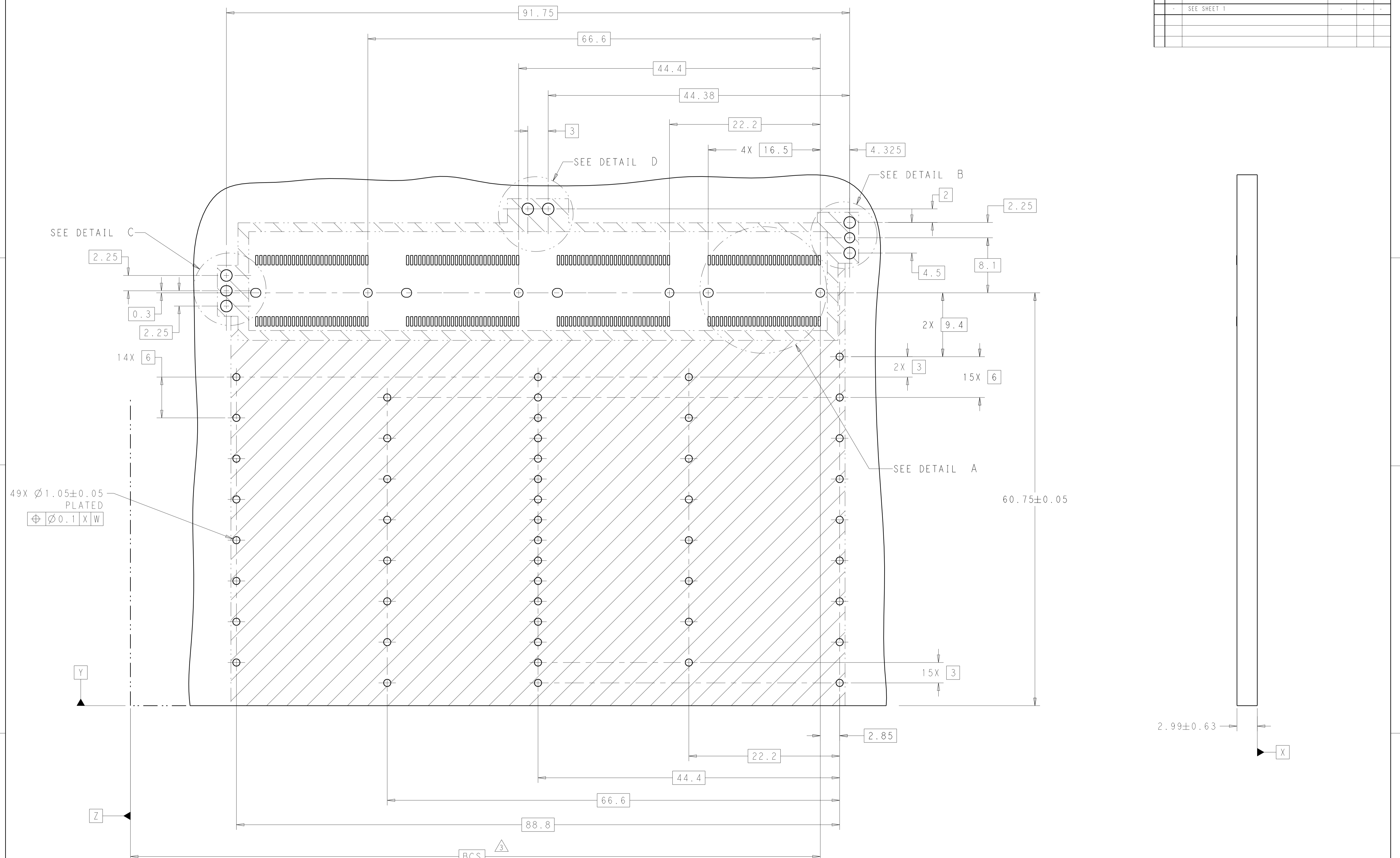
- △ MATERIALS:
 HOUSING- POLYESTER LCP, UL 94V-0
 SIGNAL CONTACT- COPPER ALLOY.
 GROUND CONTACT- COPPER ALLOY.
- △ CONTACT FINISH: CONFORMS TO THE REQUIREMENTS OF TE PRODUCT SPECIFICATION 108-32103, BASED ON EIA/ECA-364-1000.01A, (CONTROLLED ENVIRONMENT APPLICATIONS) ON MATING INTERFACE, GOLD FLASH ON SOLDER TAIL.
- △ DATUM AND BASIC DIMENSION ESTABLISHED BY CUSTOMER.
- △ PART NUMBER AND DATE CODE MARKED IN APPROXIMATE AREA SHOWN.
- △ MANUFACTURER'S LOGO APPROXIMATELY AS SHOWN.



2288229-1
 PART NUMBER

THIS DRAWING IS A CONTROLLED DOCUMENT.		DWN: B. MATTHEWS 01MAY2015	TE Connectivity NAME: CONNECTOR ASSEMBLY, RECEPTACLE, CFP4 PRODUCT SPEC: 108-32103 APPLICATION SPEC: 114-32146	SIZE: A	CAGE CODE: 100779	DRAWING NO: C=2288229	RESTRICTED TO: -
DIMENSIONS: mm		CHK: M. SCHMITT 01MAY2015		MATERIAL: -	WEIGHT: -	CUSTOMER DRAWING	SCALE: 10:1
TOLERANCES UNLESS OTHERWISE SPECIFIED:		APVD: M. SCHMITT 01MAY2015	FINISH: -		REV: A		
0 PLC	±	MATERIAL: -		SCALE: 10:1			
1 PLC	±0.1	FINISH: -		SHEET 1 OF 4			
2 PLC	±	MATERIAL: -		REV: A			
3 PLC	±	FINISH: -		SCALE: 10:1			
4 PLC	±	MATERIAL: -		SHEET 1 OF 4			
ANGLES	±	FINISH: -		REV: A			

REVISIONS				
P.	LTN.	DESCRIPTION	DATE	APVD.
-	-	SEE SHEET 1	-	-

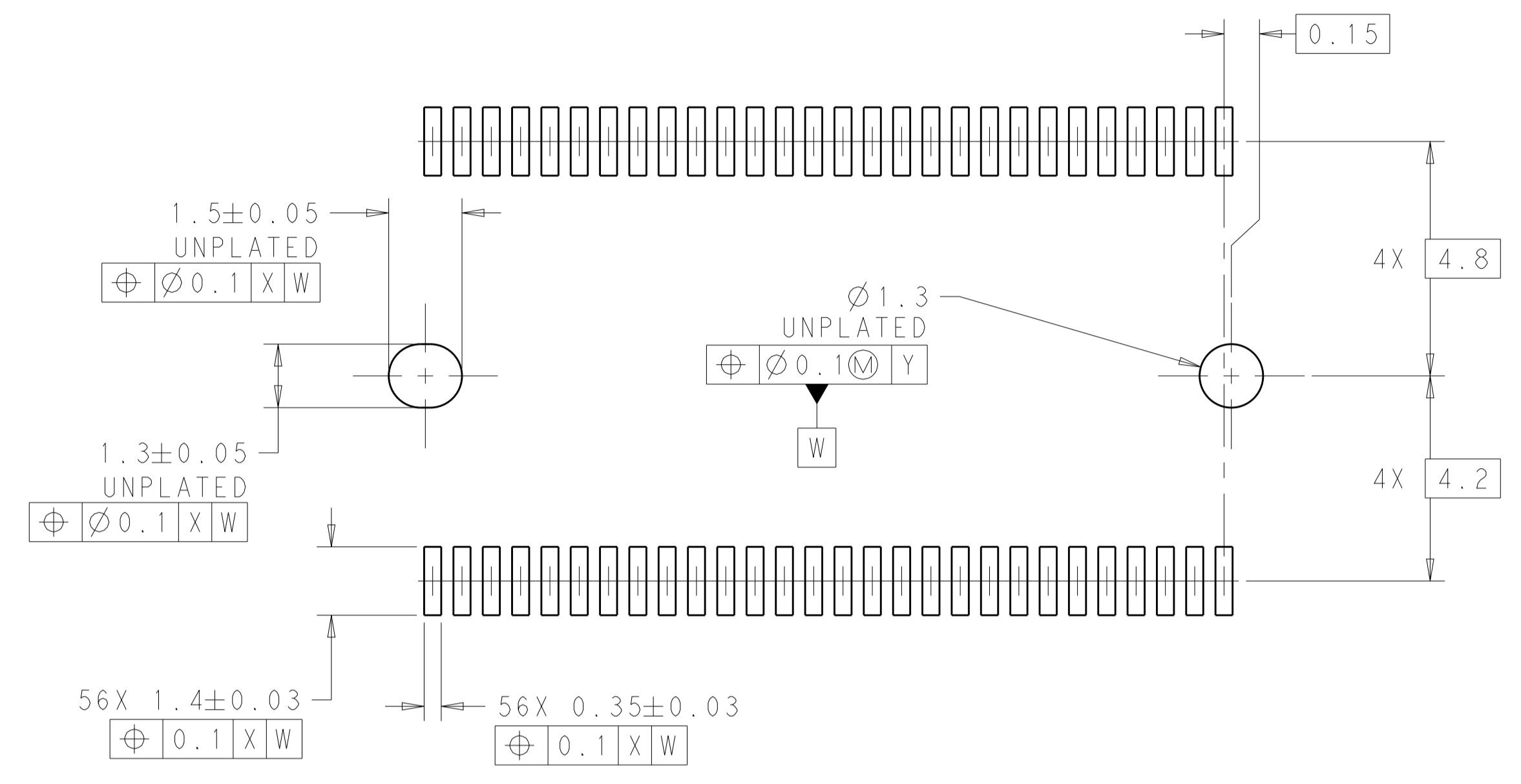


49X $\varnothing 1.05 \pm 0.05$
 PLATED
 $\varnothing 0.1$ X W

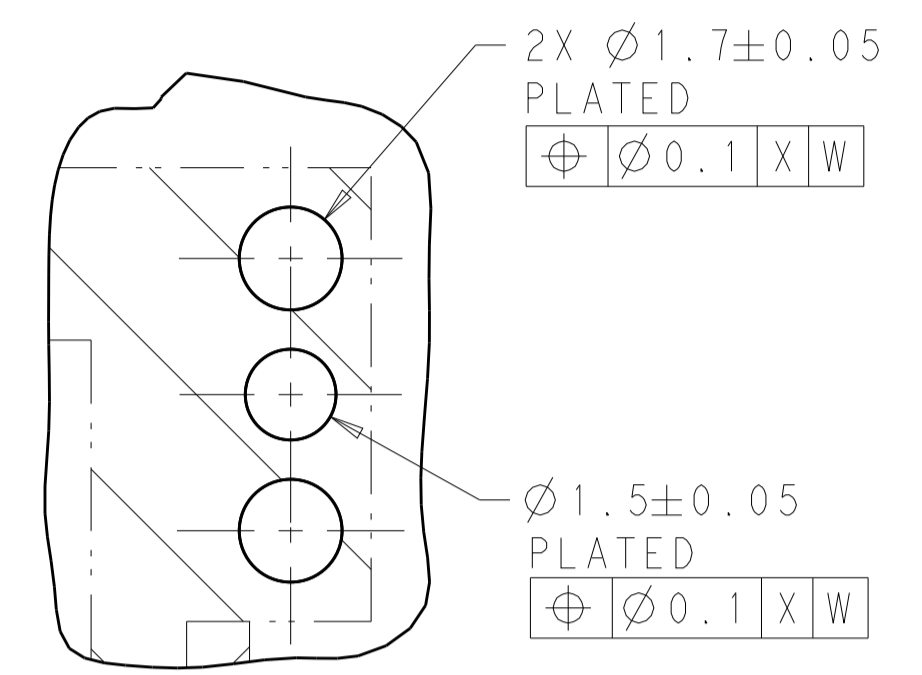
RECOMMENDED PCB LAYOUT
 SCALE 4:1
 SINGLE SIDED APPLICATION
 1X1 CONFIGURATION SHOWN

THIS DRAWING IS A CONTROLLED DOCUMENT.		DWN B. MATTHEWS 01MAY2015	TE Connectivity
DIMENSIONS: mm		CHK M. SCHMITT 01MAY2015	
TOLERANCES UNLESS OTHERWISE SPECIFIED:		APVD M. SCHMITT 01MAY2015	NAME CONNECTOR ASSEMBLY, RECEPTACLE, CFP4 PRODUCT SPEC 108-32103 APPLICATION SPEC 114-32146 SIZE CAGE CODE DRAWING NO. RESTRICTED TO A100779C=2288229 MATERIAL FINISH WEIGHT CUSTOMER DRAWING SCALE 10:1 SHEET 2 OF 4 REV A
0 PLC ± 1 PLC ±0.1 2 PLC ± 3 PLC ± 4 PLC ± ANGLES ±		WEIGHT CUSTOMER DRAWING	
		SCALE 10:1 SHEET 2 OF 4 REV A	
MATERIAL FINISH WEIGHT CUSTOMER DRAWING		SCALE 10:1 SHEET 2 OF 4 REV A	

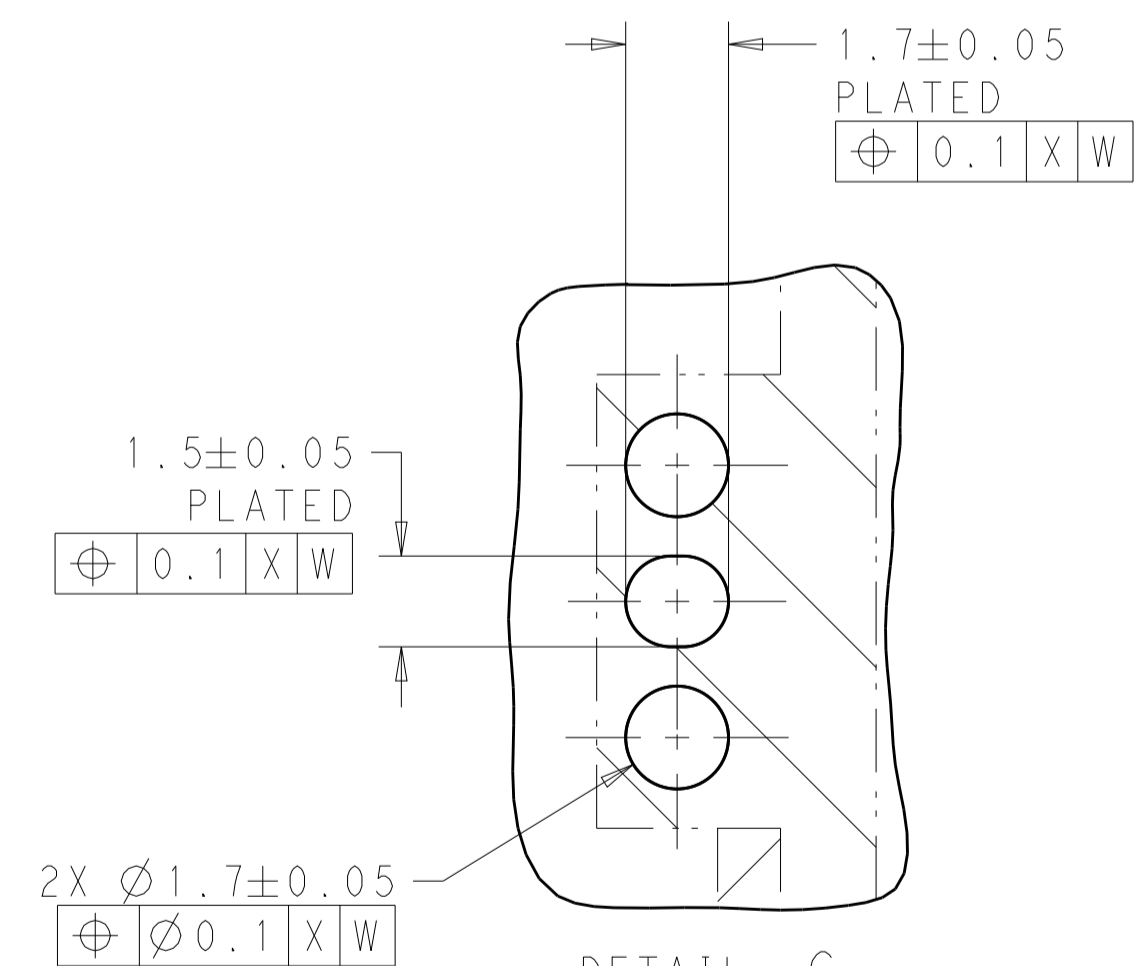
REVISIONS				
P.	LTN	DESCRIPTION	DATE	APVD
-	-	SEE SHEET 1	-	-



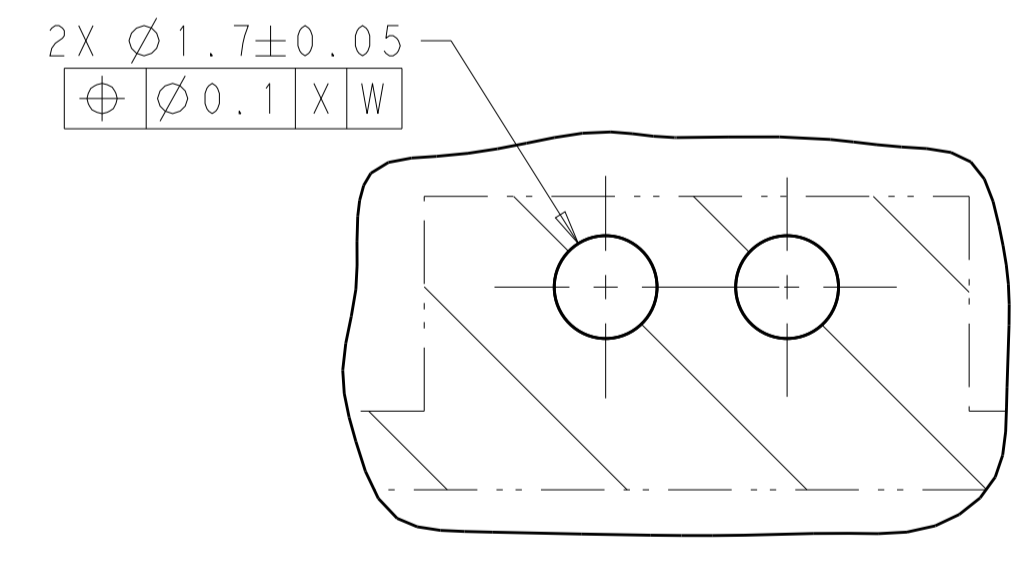
DETAIL A
 4X INDIVIDUALLY
 SCALE 10:1



DETAIL B
 SCALE 8:1



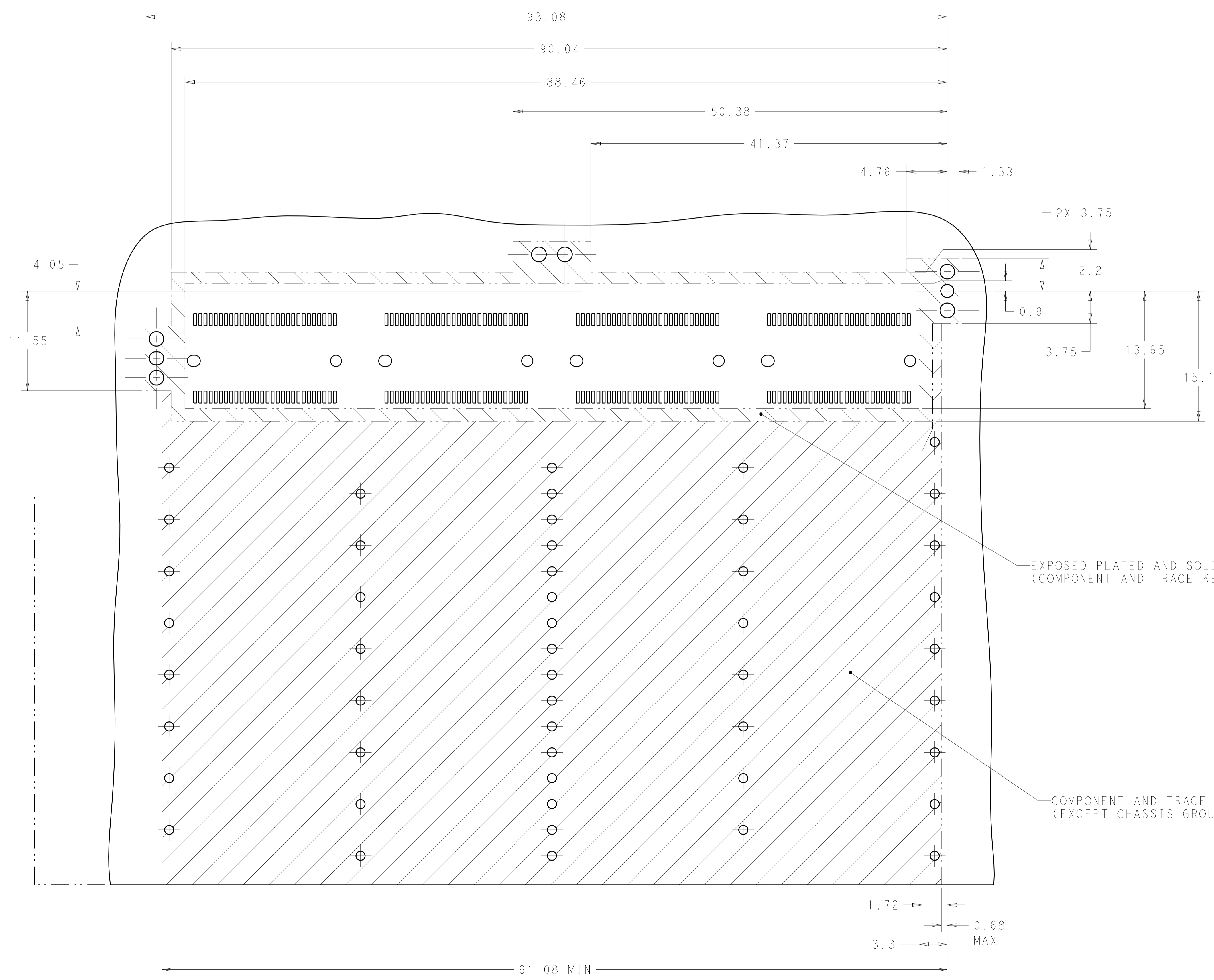
DETAIL C
 SCALE 8:1



DETAIL D
 SCALE 8:1

THIS DRAWING IS A CONTROLLED DOCUMENT.		DWN: B. MATTHEWS 01MAY2015 CHK: M. SCHMITT 01MAY2015 APVD: M. SCHMITT 01MAY2015	TE Connectivity
DIMENSIONS: mm	TOLERANCES UNLESS OTHERWISE SPECIFIED: 0 PLC ± 1 PLC ±0.1 2 PLC ± 3 PLC ± 4 PLC ± ANGLES ± FINISH	NAME: CONNECTOR ASSEMBLY, RECEPTACLE, CFP4 PRODUCT SPEC: 108-32103 APPLICATION SPEC: 114-32146 WEIGHT: - CUSTOMER DRAWING	

REVISIONS				
P.	LTN	DESCRIPTION	DATE	APVD
-	-	SEE SHEET 1	-	-



EXPOSED PLATED AND SOLDERMASK PULLED BACK
(COMPONENT AND TRACE KEEP-OUT AREA)

COMPONENT AND TRACE KEEP-OUT AREA
(EXCEPT CHASSIS GROUND)

SCALE 4:1

THIS DRAWING IS A CONTROLLED DOCUMENT.		DWN B. MATTHEWS 01MAY2015	TE Connectivity
DIMENSIONS: mm		CHK M. SCHMITT 01MAY2015	
TOLERANCES UNLESS OTHERWISE SPECIFIED:		APVD M. SCHMITT 01MAY2015	NAME CONNECTOR ASSEMBLY, RECEPTACLE, CFP4
0 PLC ±	1 PLC ±0.1	PRODUCT SPEC 108-32103	SIZE A1
2 PLC ±	3 PLC ±	APPLICATION SPEC 114-32146	CAGE CODE C=2288229
4 PLC ±	ANGLES ±	WEIGHT	RESTRICTED TO
MATERIAL	FINISH	CUSTOMER DRAWING	SCALE 10:1 SHEET 4 OF 4 REV A

X-ON Electronics

Largest Supplier of Electrical and Electronic Components

Click to view similar products for [I/O Connectors](#) category:

Click to view products by [TE Connectivity](#) manufacturer:

Other Similar products are found below :

[571763P](#) [72.250.1628.2](#) [72.250.2428.2](#) [74720-0505](#) [76.350.0729.0](#) [76871-1403](#) [FCN-244F080-G/1](#) [FCN-260A9920](#) [MP-5T180MUNNA-005](#)
[PCR-E36PM](#) [PCS-XE26MA+](#) [G38A71314B](#) [1571250010](#) [157-22500-3](#) [MS3471L14-19P L/C](#) [91-569786-35H](#) [172501-4002](#) [172501-6002](#)
[FCN-260C008-A/L0](#) [FCN-260C024-AL0](#) [FCN-261Z008](#) [2000314-1](#) [200331-1](#) [PCR-E36FC+](#) [PCS-E28FS+](#) [PCS-XE26SLFD+](#) [PCS-](#)
[XE26SLFDT+](#) [G730VID08BDC24](#) [HDMR-29-01-S-SM-TR](#) [U90B2054081210](#) [UE86K842720321](#) [38113800006](#) [DP3AR020WQ1R200](#)
[Z4.102.0680.0](#) [500-1040](#) [500-1052](#) [500-1054](#) [ZP-4008-66L](#) [0709821002](#) [10-565995-597N](#) [DX40-20P\(55\)](#) [5554841-1](#) [U90B3054061110](#)
[U65-E04-4020](#) [ZPF00000000097891](#) [557-262M2-06C](#) [747360449](#) [10099439-003C-TRLF](#) [10137239-0021LF](#) [E9320-001-01](#)