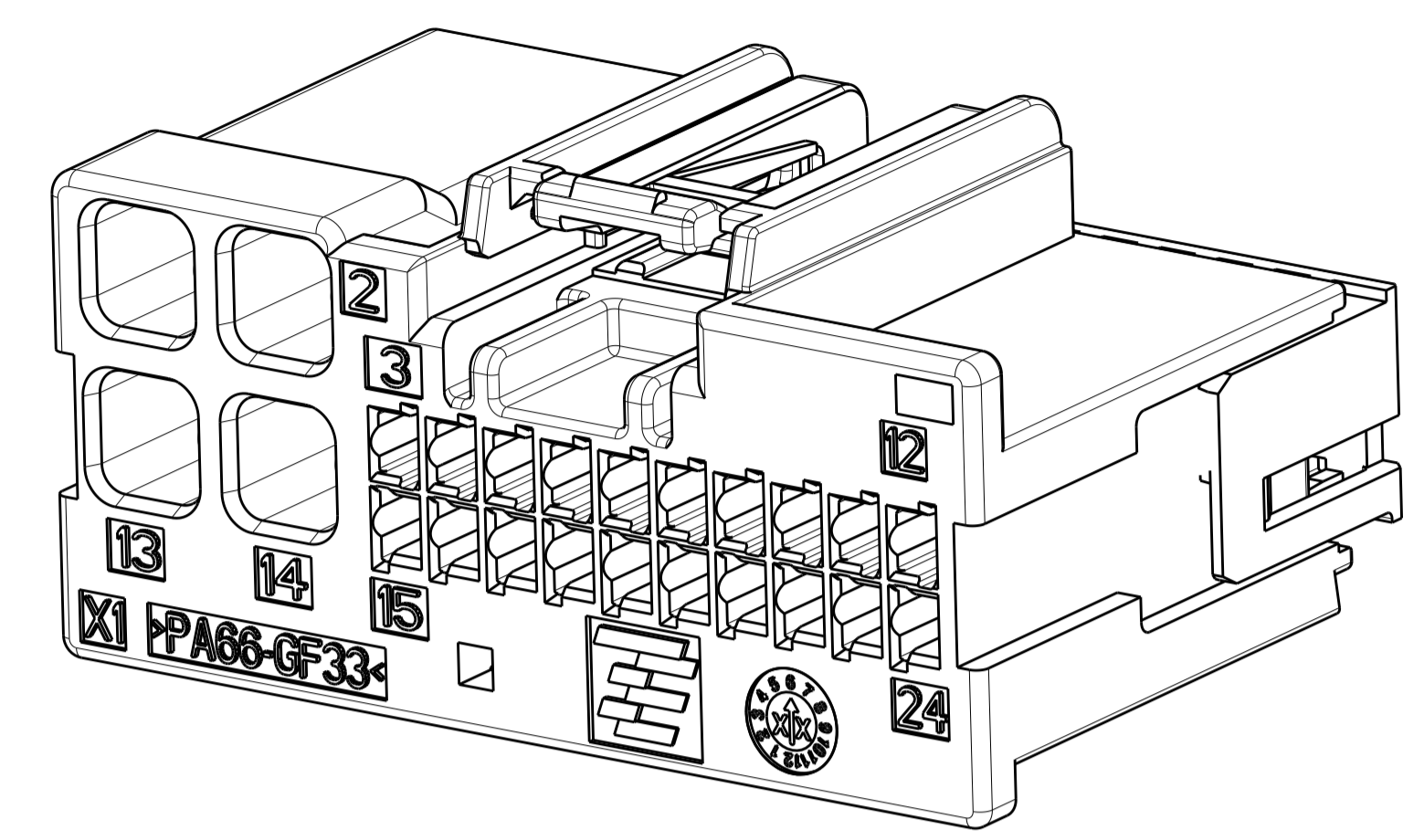
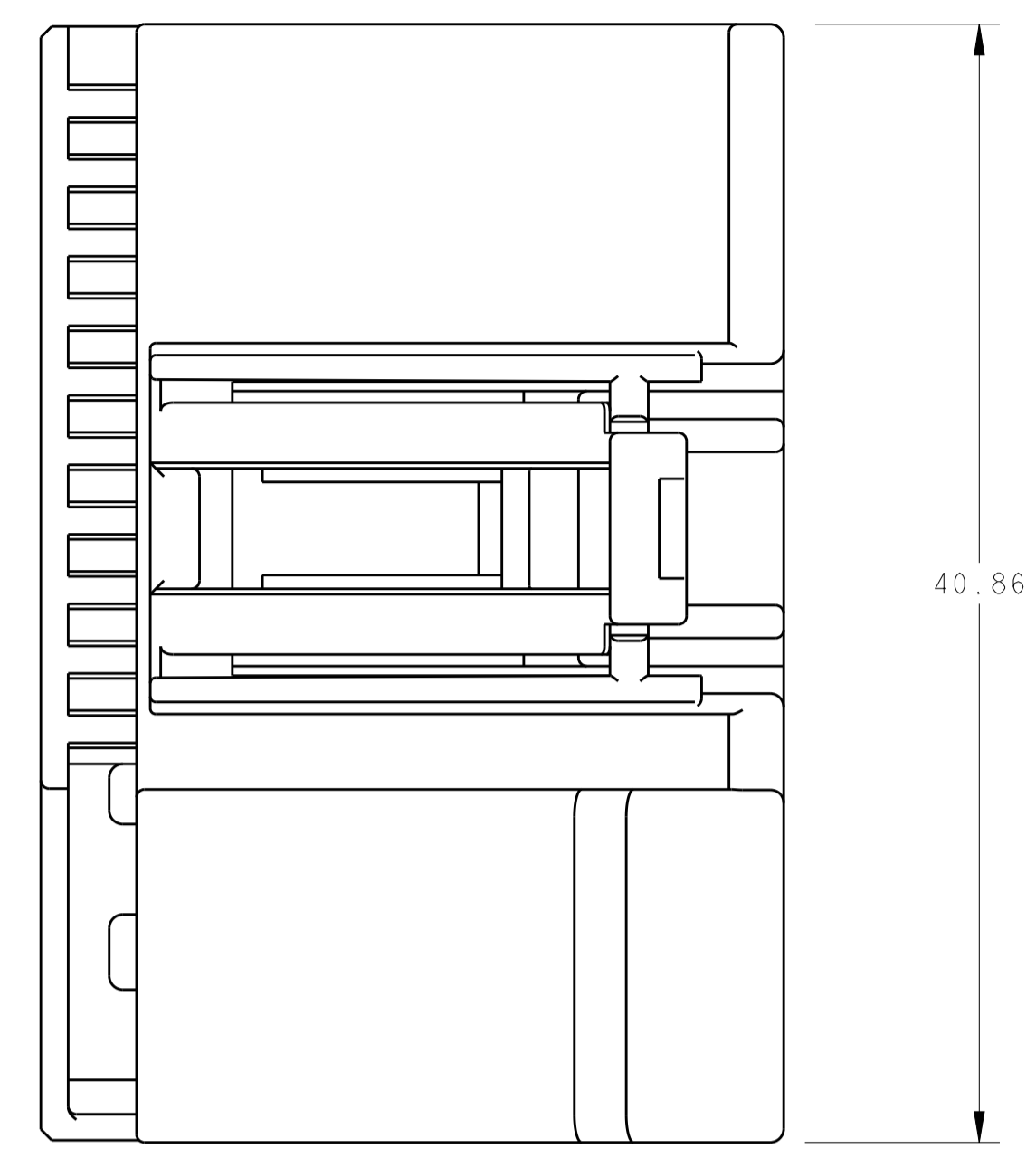
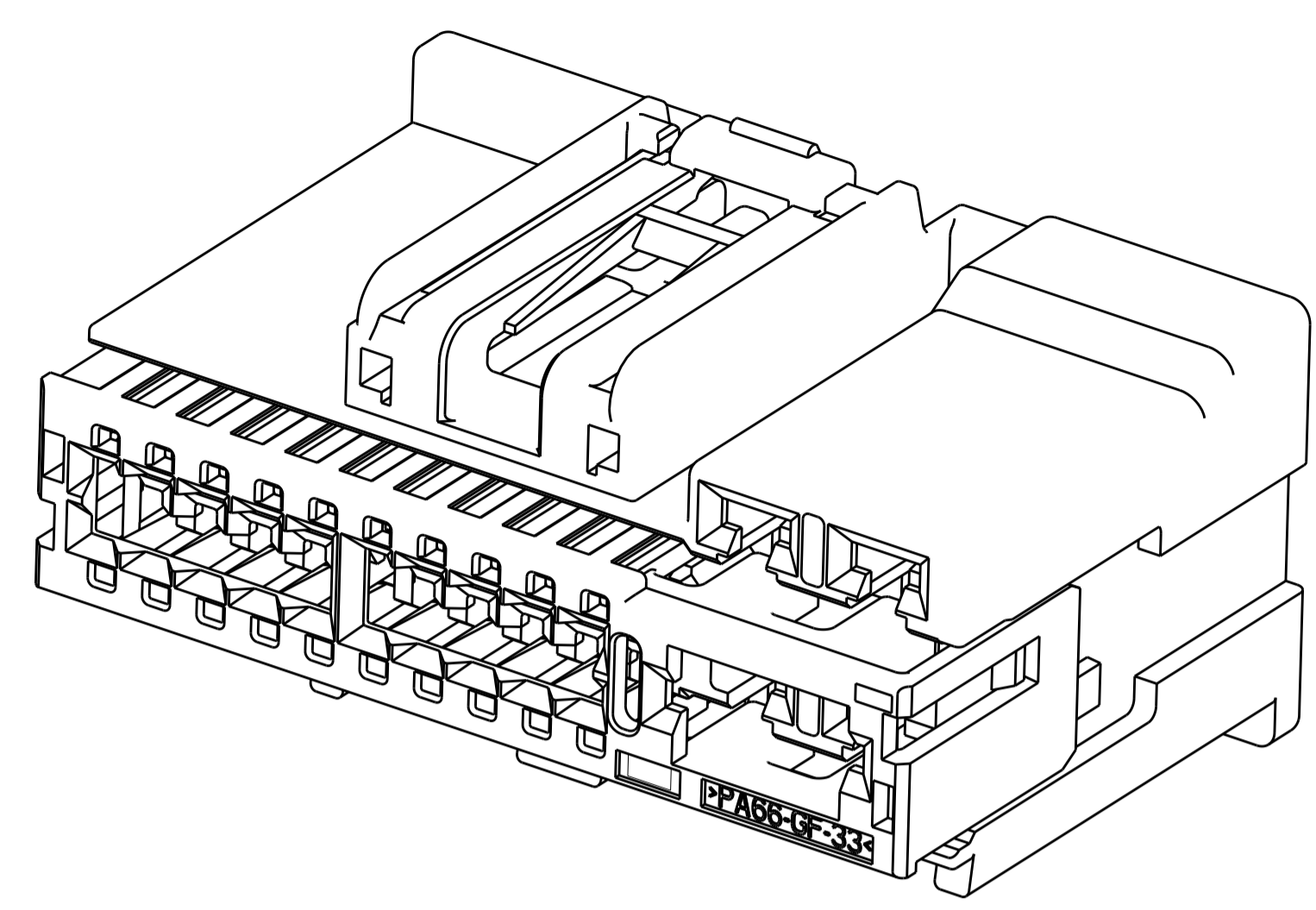
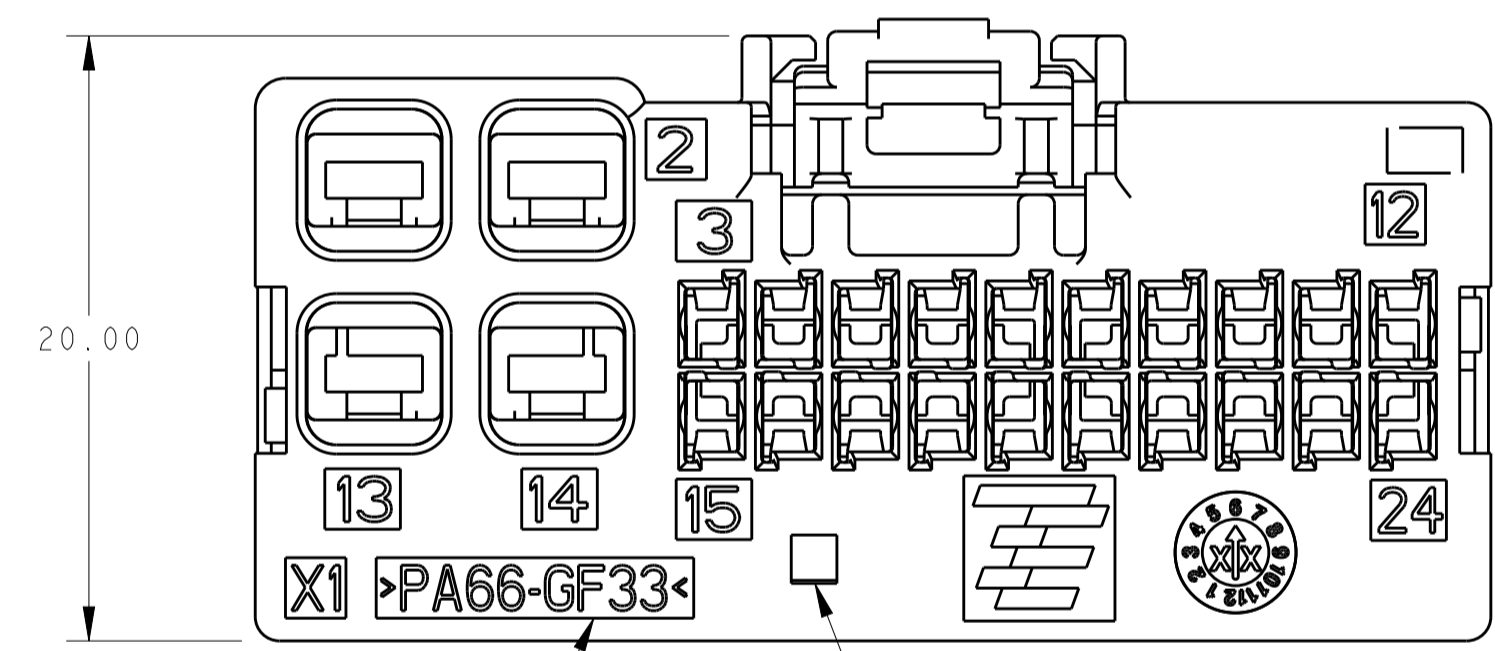
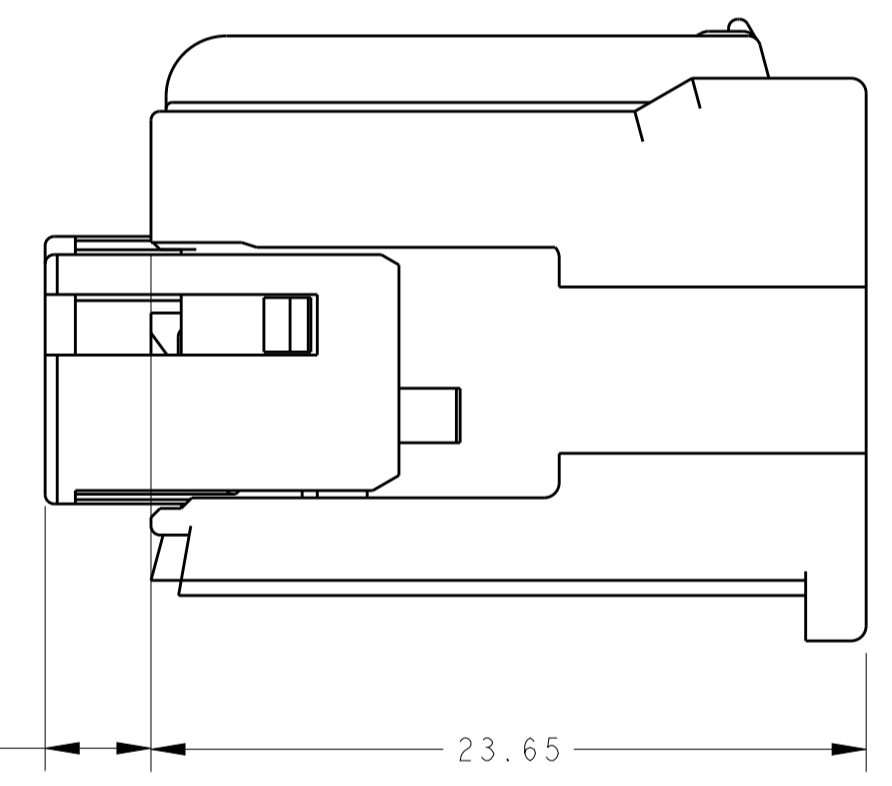
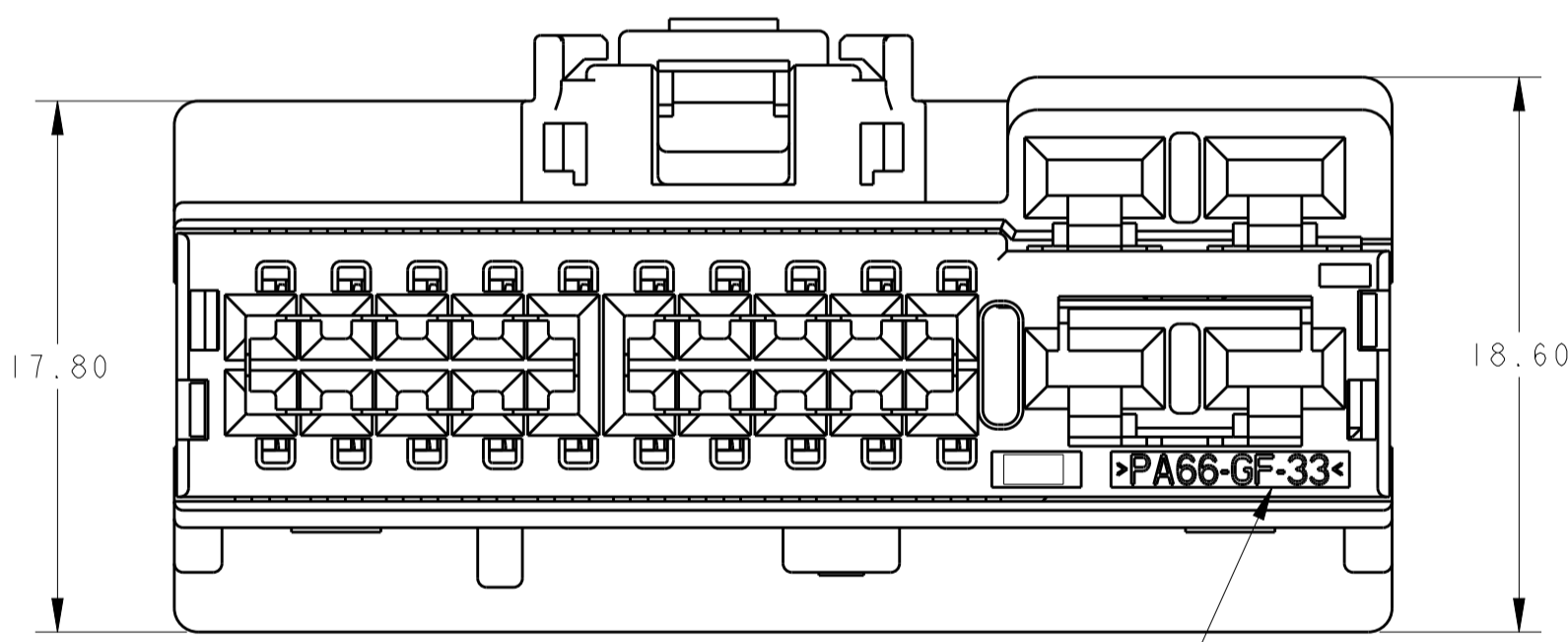


REVISIONS				
P.	LTN	DESCRIPTION	DATE	DWN APVD
I		PRELIMINARY	17OCT2014	DLD CJS
A		RELEASED PER ECO-15-002891	24FEB2015	DLD CJS
A1		REVISED PER ECO-18-013523	28AUG2018	JMS CS
A2		REVISED PER ECO-19-004164	25MAR2019	JMS CS



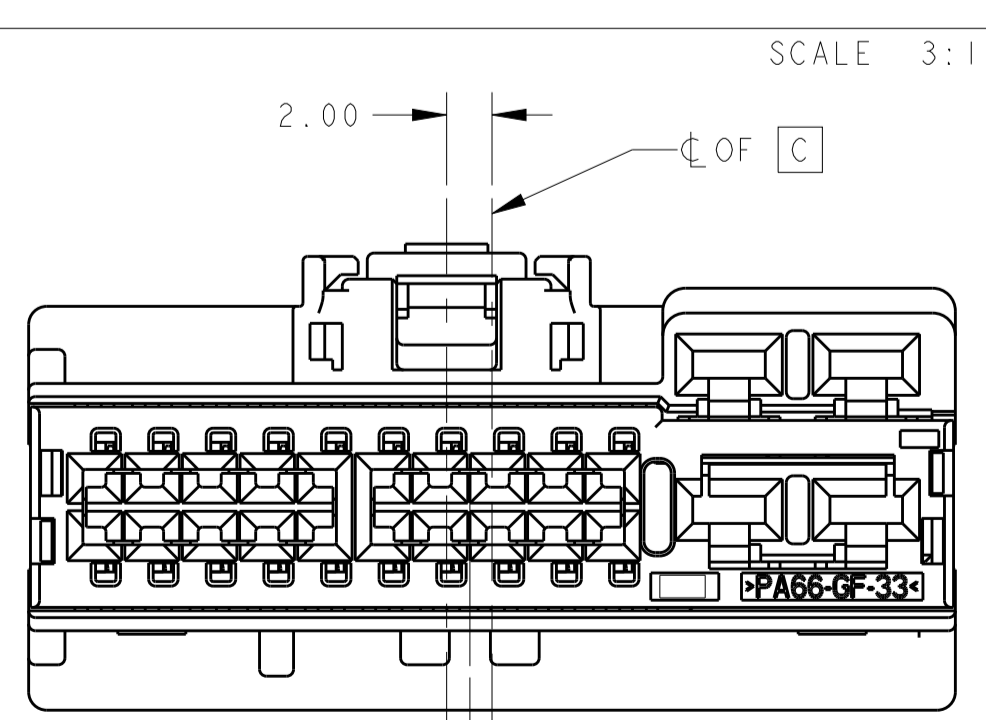
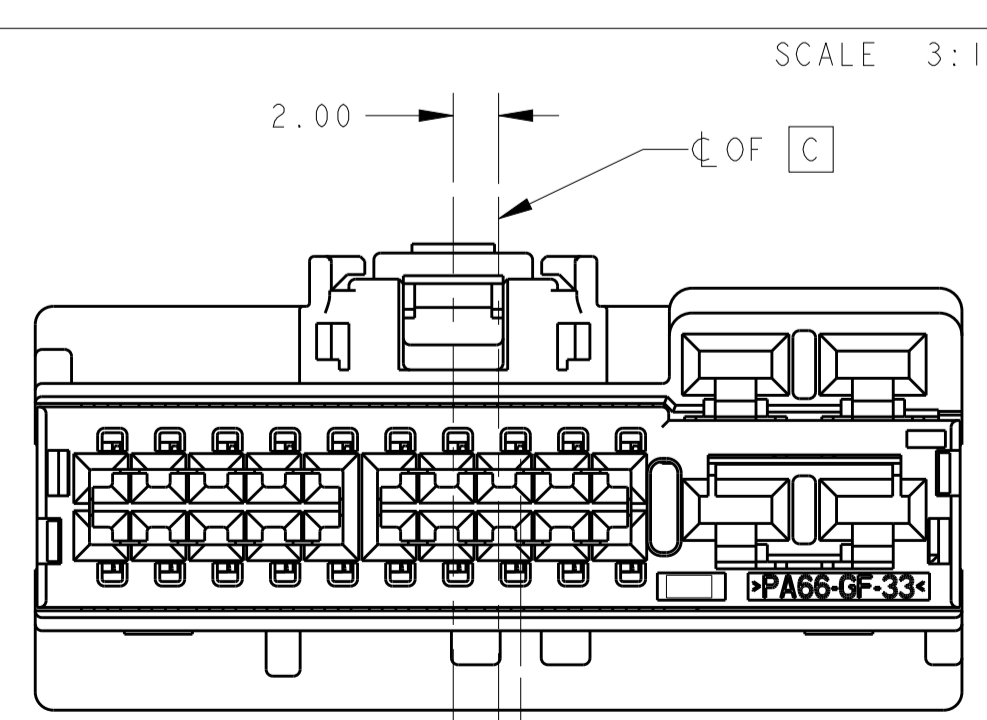
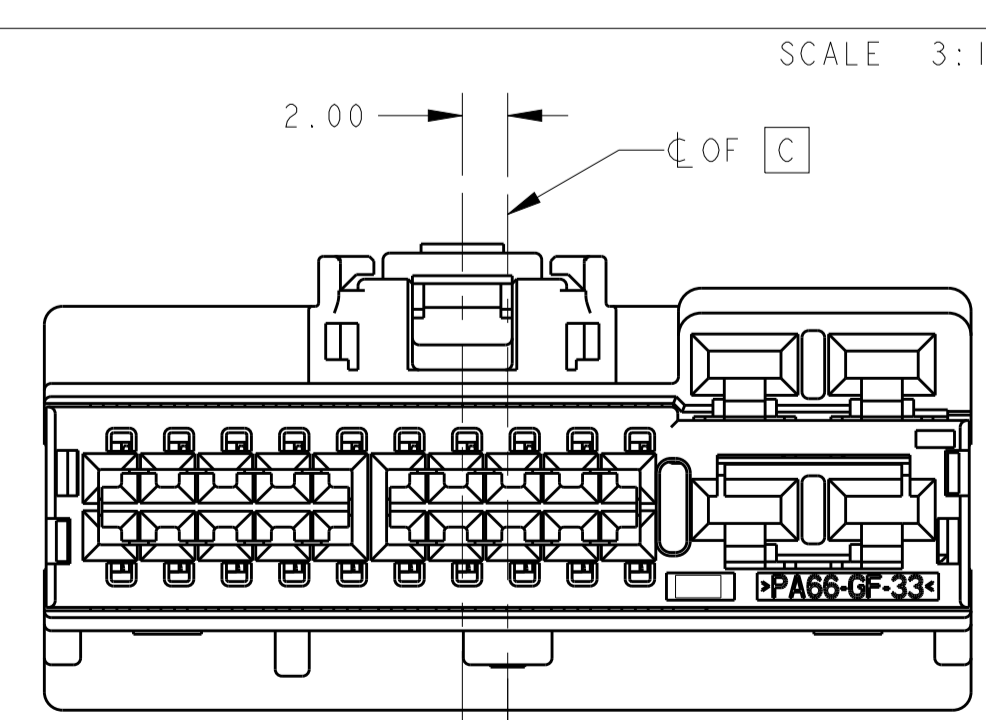
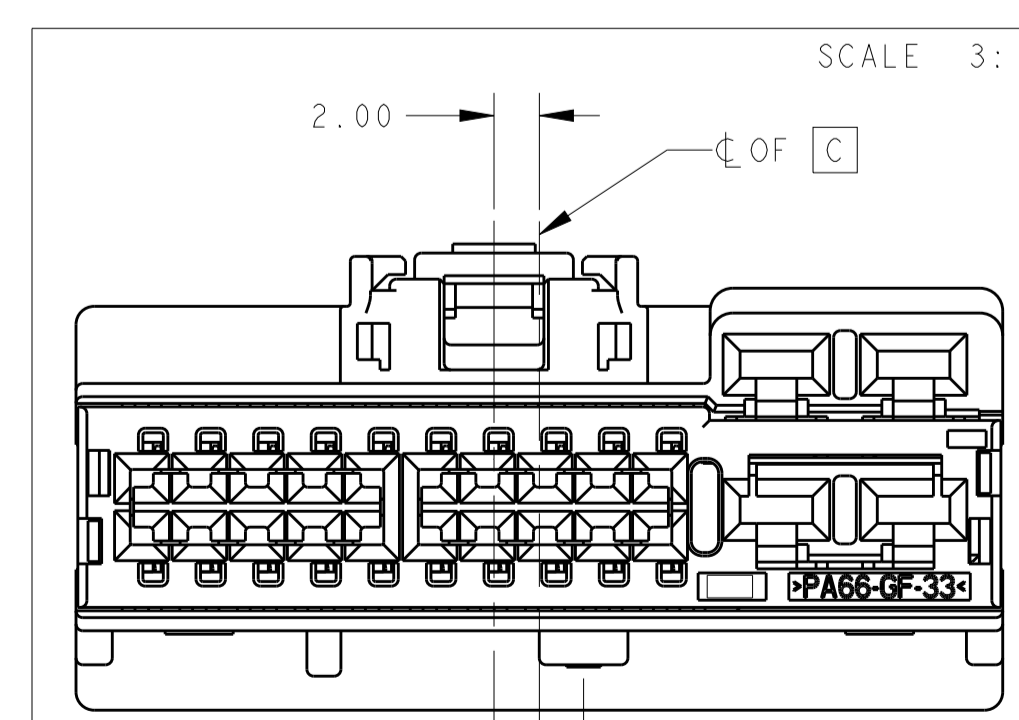
- 1. TPA SHIPPED IN PRE-LATCHED POSITION.
- 2. 2288274-1 SHOWN IN GENERAL VIEWS.
- 3. THIS PART NUMBER HAS NOT COMPLETED VALIDATION TESTING.
- 4. PRELIMINARY - NOT RELEASED FOR PRODUCTION
- 5. DUE TO BULK PACKAGED ARRANGEMENT, TPA MAY BE MOVED FROM THE PRE-LATCHED POSITION TO CLOSED OR PARTIALLY CLOSED DURING SHIPMENT. PLEASE REFER TO TE SPECIFICATION 408-32044 FOR TPA RESET INSTRUCTIONS.
- 6. APPLICABLE RECEPTACLES FOR THIS CONNECTOR:
 0.64 GENERATION Y - TE P/N'S 2035334-X AND 1924955-X
 2.8 CIRCUITS - FCI APEX 2.8 FAMILY, REF P/N 54001431 OR SIMILAR (ACCEPTS 10AWG - 22AWG)



PARTS MARKED WITH EITHER GF33 OR GF35

PARTS MARKED WITH EITHER GF33 OR GF35

OPTIONAL NON-FUNCTIONAL VOID CORING



KEY A

KEY B

KEY C

KEY D

KEYING ARRANGEMENT

3/4	D	---	2288274-4
	C	BROWN	2288274-3
	B	GRAY	2288274-2
	A	BLACK	2288274-1
	KEYING OPTION	COLOR	PART NUMBER

THIS DRAWING IS A CONTROLLED DOCUMENT.		DWN D. DRUMMOND 17OCT2014	
DIMENSIONS: mm		CHK C. SCHMID 17OCT2014	
TOLERANCES UNLESS OTHERWISE SPECIFIED:		APVD C. SCHMID 17OCT2014	NAME PLUG ASSEMBLY, 24 POSITION UNSEALED HYBRID (4X 2.8, 20X 0.64)
0 PLC ±		PRODUCT SPEC	
1 PLC ±0.3		APPLICATION SPEC	SIZE CAGE CODE DRAWING NO RESTRICTED TO 408-32044 A100779C=2288274
2 PLC ±		WEIGHT	
3 PLC ±		Customer Drawing	SCALE 4:1 SHEET 1 OF 1 REV A2
4 PLC ±			
ANGLES ±°			
FINISH			

X-ON Electronics

Largest Supplier of Electrical and Electronic Components

Click to view similar products for [Automotive Connectors](#) category:

Click to view products by [TE Connectivity](#) manufacturer:

Other Similar products are found below :

[003-018-000](#) [60403001](#) [60993906-B](#) [M902-2131](#) [M902-2161](#) [72.330.1035.1](#) [73.353.4028.0](#) [F119300-B](#) [F166900](#) [F258300-B](#) [F358300-B](#)
[F407400](#) [F444110](#) [F487000](#) [F509500B-B](#) [827153-1](#) [8N1515-32-24P](#) [9-1326729-8](#) [925474-1](#) [928905-1](#) [964562-4](#) [968782-1](#) [GT17SA-8DS-](#)
[HU](#) [98891-1012](#) [98947-1016](#) [12004147](#) [12004475-L](#) [12010290](#) [12010309-B](#) [12015454](#) [12020219-B](#) [12020308](#) [12041318-B](#) [12052225-L](#)
[12052466](#) [12059125](#) [12064869](#) [12004327-B](#) [12010503-B](#) [12015308](#) [12015384](#) [12015909](#) [1-21030-1](#) [12041254](#) [12041318](#) [12047946-B](#)
[12047957](#) [12047957-L](#) [12059473](#) [12066261](#)