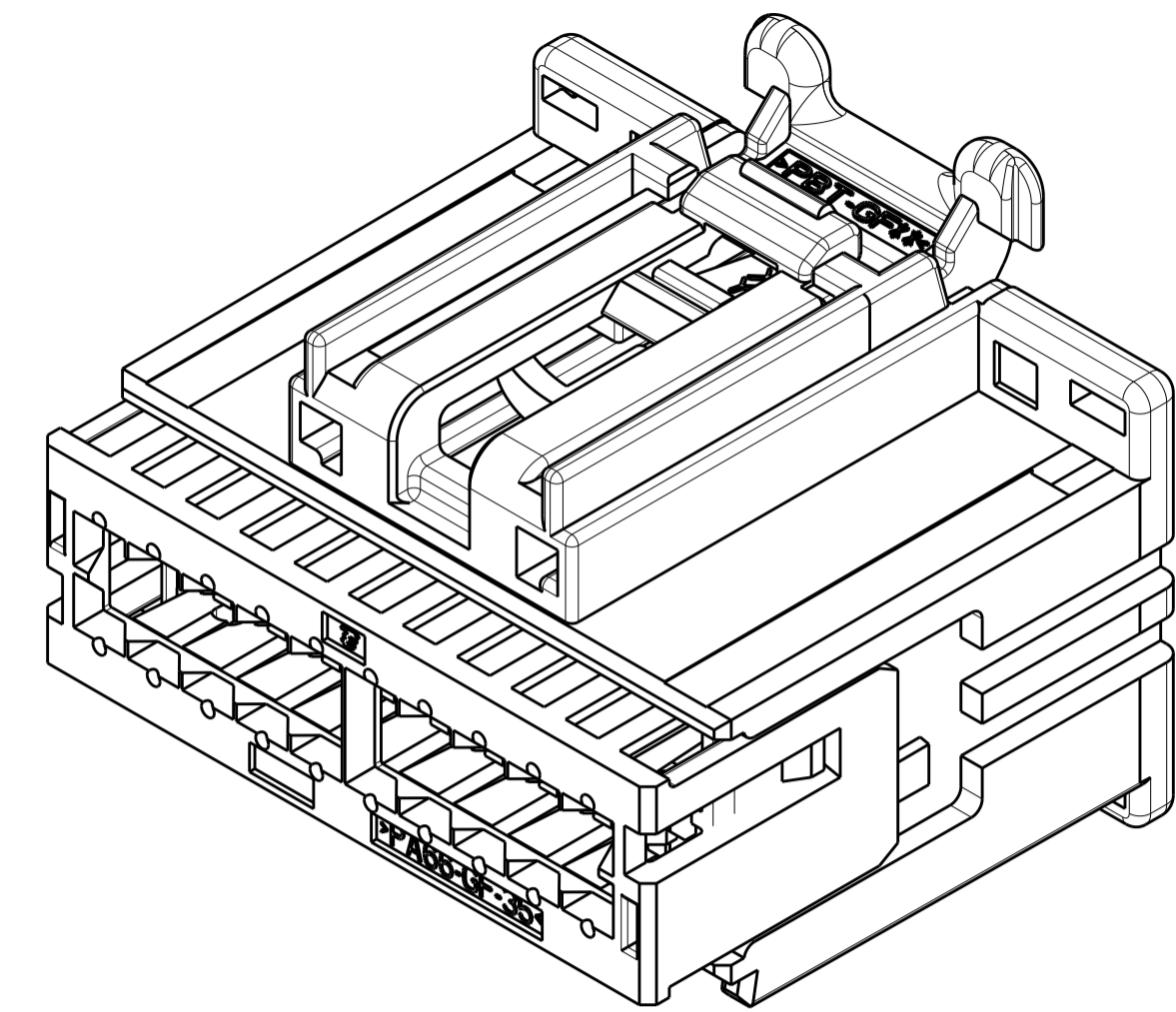
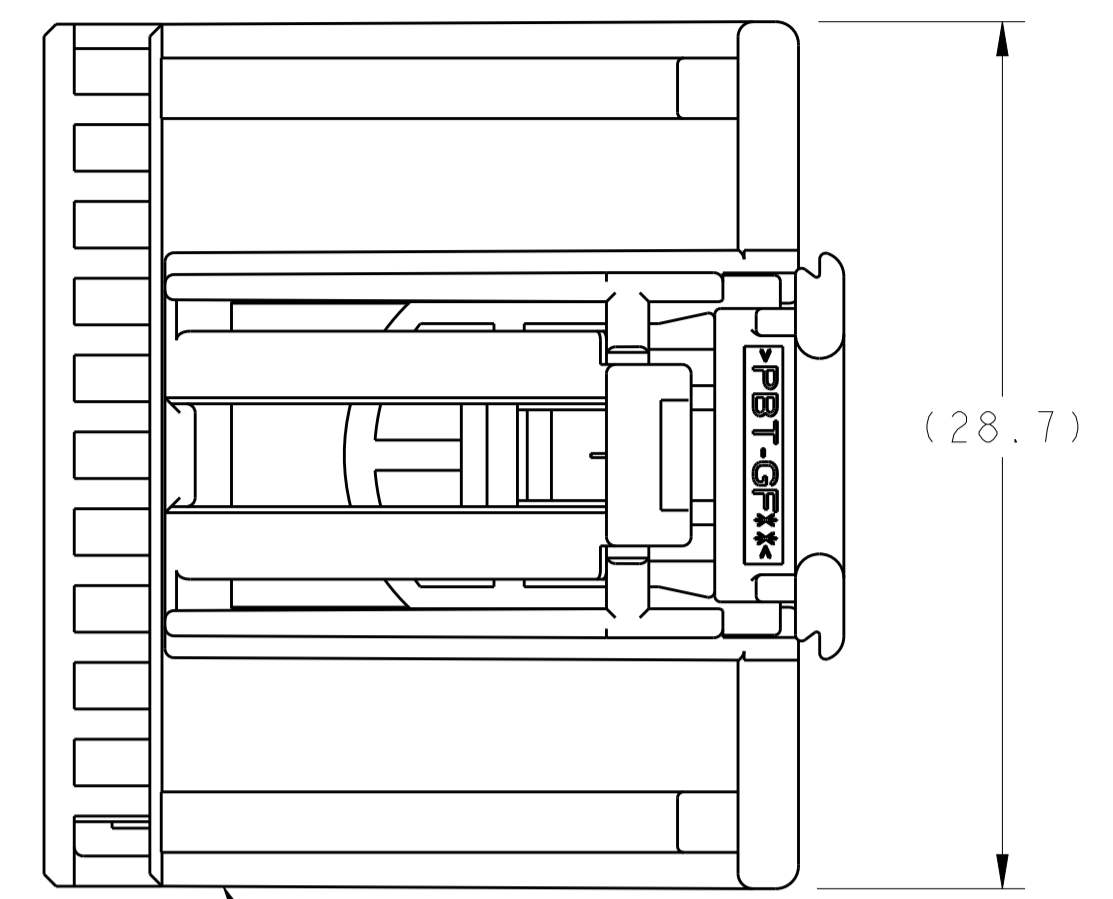


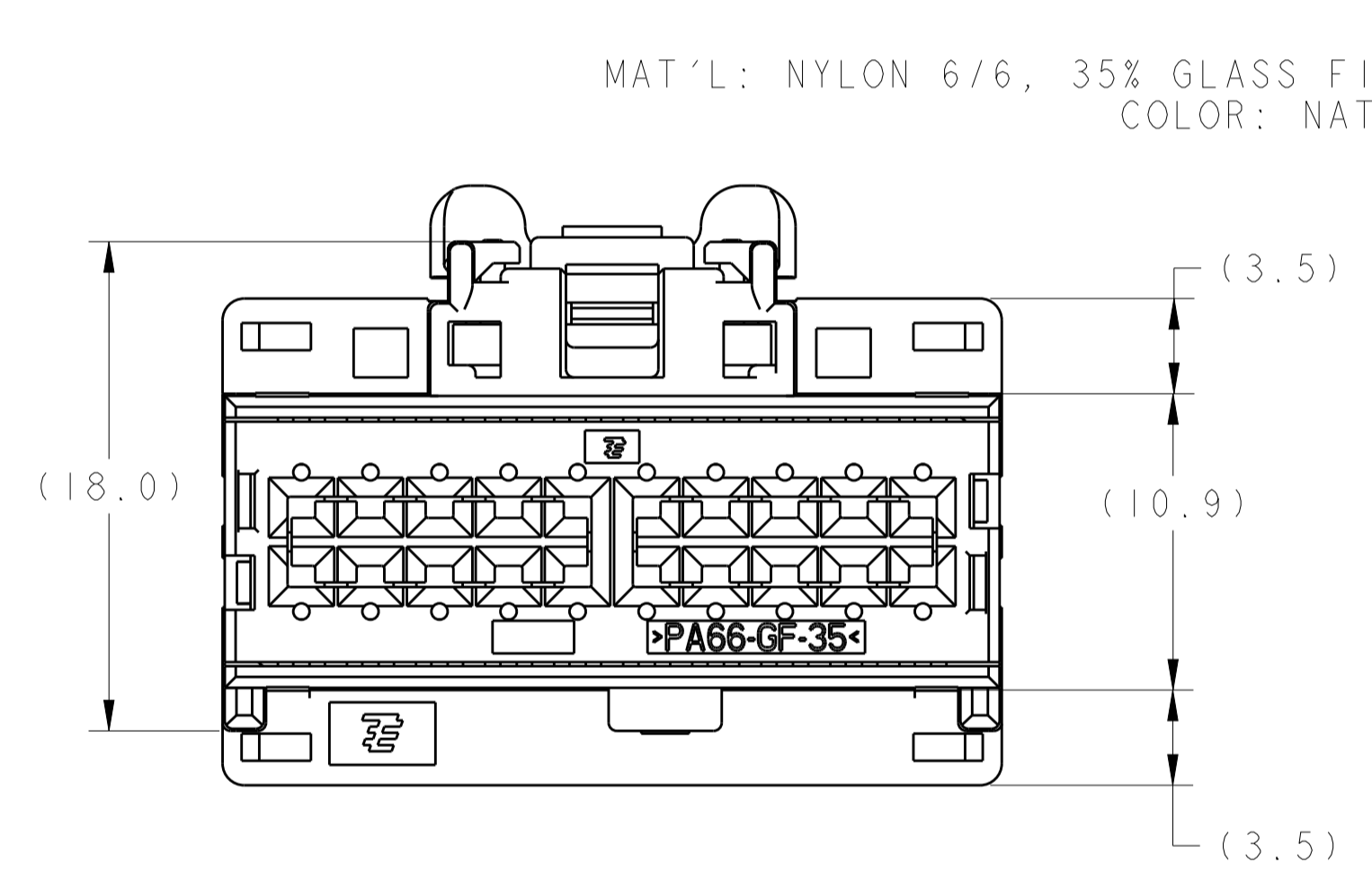
REVISIONS				
P	LTN	DESCRIPTION	DATE	OWN APVD
I		PRELIMINARY	17OCT2014	DLD CJS
A		RELEASED PER ECO-15-002891	24FEB2015	DLD CJS



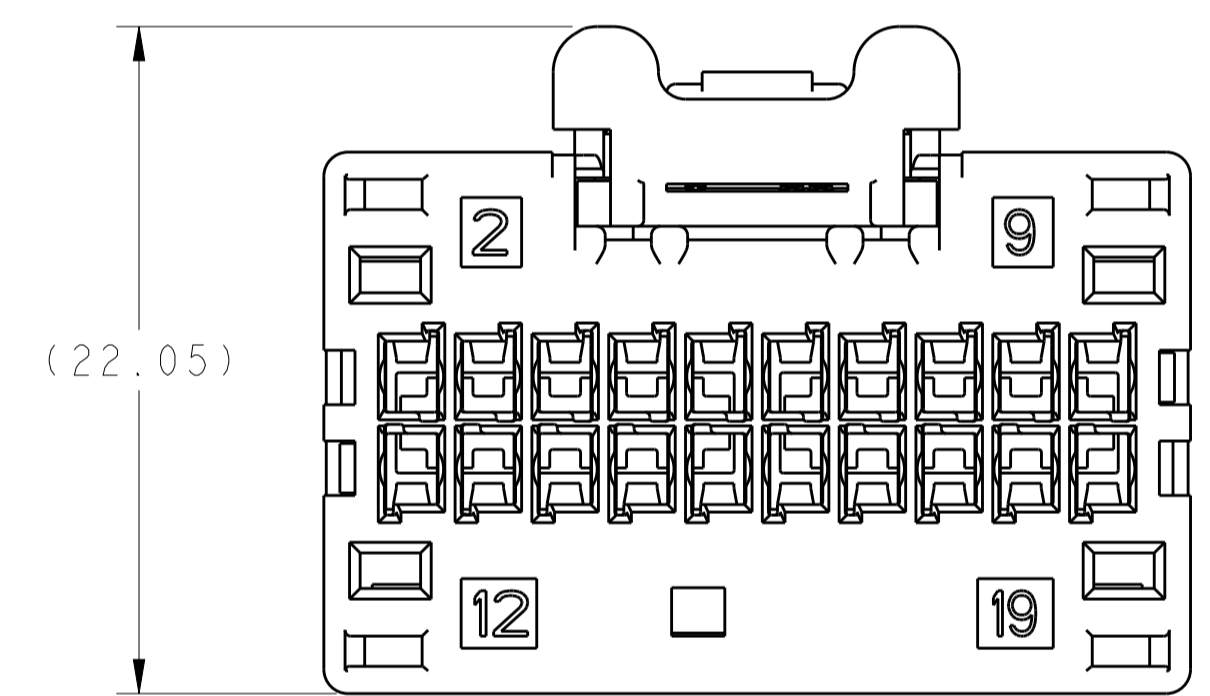
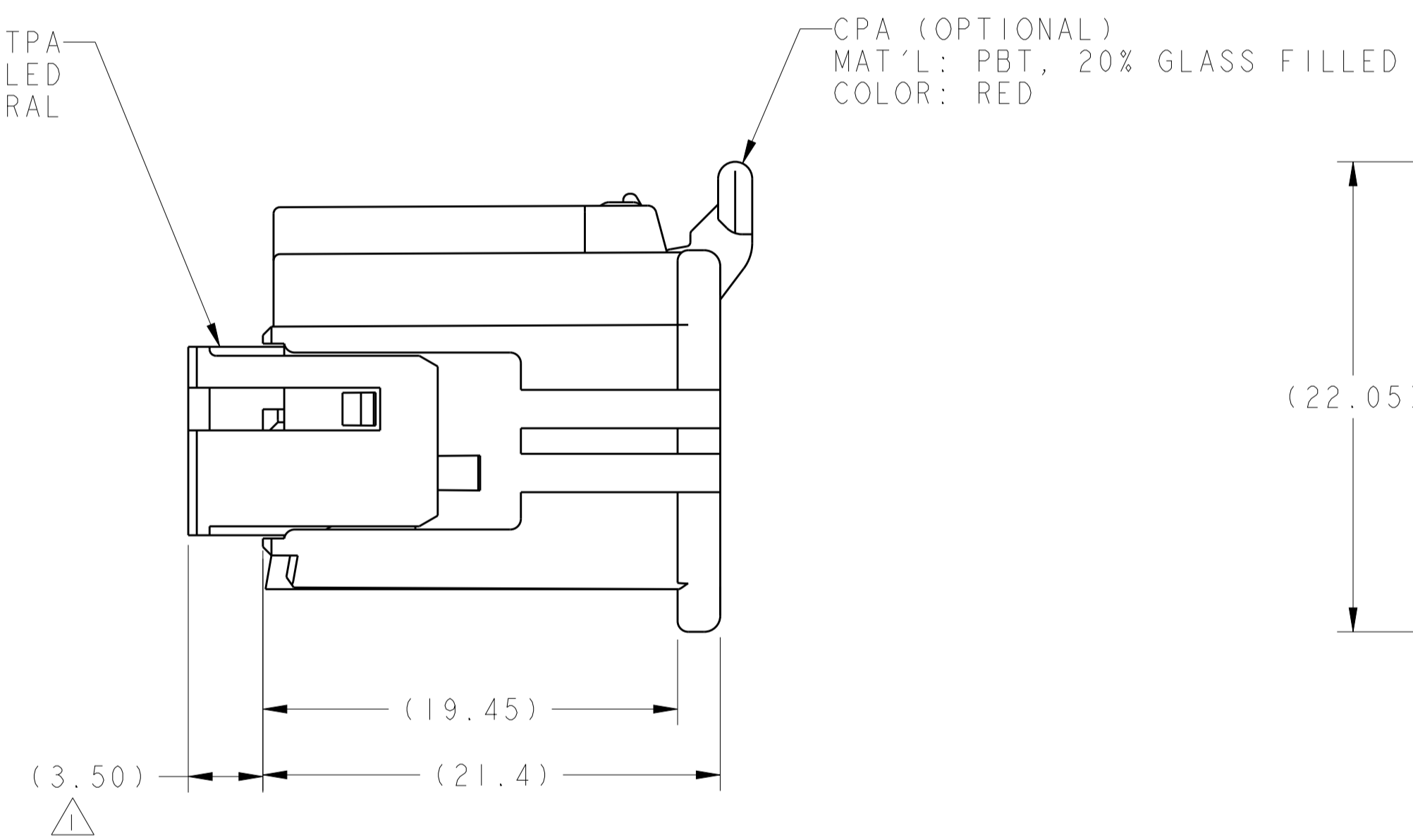
ISOMETRIC VIEW



HOUSING
 MAT'L: NYLON 6/6, 35% GLASS FILLED
 COLOR: SEE TABLE



TPA
 MAT'L: NYLON 6/6, 35% GLASS FILLED
 COLOR: NATURAL



- 1 TPA SHIPPED IN PRE-LATCHED POSITION. TPA'S MAY BECOME SEATED DURING SHIPPING DUE TO BULK PACKAGING. REFERENCE INSTRUCTION SHEET 408-10372 FOR REPOSITIONING OF TPA.
- 2 2288276-7 SHOWN (KEYING OPTION A). REFER TO EWCAP DRAWING 064-U-020-2-Z01 FOR KEYING OPTION VIEWS.
- 3 THIS PRODUCT HAS NOT COMPLETED VALIDATION TESTING.
- 4 PRELIMINARY - NOT RELEASED FOR PRODUCTION
- 5. 30N MAX TERMINAL PUSH THROUGH WITHOUT BUCKLING.
- 6. 40N MIN UNMATED CPA PRESTAGE TO LOCK.
- 7. 40N MIN CPA REMOVAL FORCE.

SUPPLIED	OPTION F	---	1-2288276-2	3 4
SUPPLIED	OPTION E	---	1-2288276-1	3 4
SUPPLIED	OPTION D	---	1-2288276-0	3 4
SUPPLIED	OPTION C	---	2288276-9	3 4
SUPPLIED	OPTION B	GRAY	2288276-8	3 4
SUPPLIED	OPTION A	BLACK	2288276-7	3 4
NOT SUPPLIED	OPTION F	---	2288276-6	3 4
NOT SUPPLIED	OPTION E	---	2288276-5	3 4
NOT SUPPLIED	OPTION D	---	2288276-4	3 4
NOT SUPPLIED	OPTION C	---	2288276-3	3 4
NOT SUPPLIED	OPTION B	GRAY	2288276-2	
NOT SUPPLIED	OPTION A	BLACK	2288276-1	
CPA	USCAR KEYING OPTION 2	COLOR	PART NUMBER	

THIS DRAWING IS A CONTROLLED DOCUMENT.

OWN: D. DRUMMOND 17OCT2014
 CH: C. SCHMID 17OCT2014
 APVD: C. SCHMID 17OCT2014

STE TE Connectivity

NAME: PLUG ASSEMBLY, 2 X 10, UNSEALED, 0.64, GENERATION Y USCAR

SIZE: A1 CAGE CODE: 100779 DRAWING NO: 2288276

SCALE: 4:1 SHEET 1 OF 1 REV A

MATERIAL: SEE CALLOUT
 DIMENSIONS: mm
 TOLERANCES UNLESS OTHERWISE SPECIFIED:
 0 PLC ±0.3
 1 PLC ±0.20
 2 PLC ±0.20
 3 PLC ±0.20
 4 PLC ±0.20
 ANGLES ±1°
 FINISH: -

CUSTOMER DRAWING

X-ON Electronics

Largest Supplier of Electrical and Electronic Components

Click to view similar products for [Automotive Connectors](#) category:

Click to view products by [TE Connectivity](#) manufacturer:

Other Similar products are found below :

[003-018-000](#) [60403001](#) [60993906-B](#) [M902-2131](#) [M902-2161](#) [M902-2344](#) [72.330.1035.1](#) [73.353.4028.0](#) [F119300-B](#) [F166900](#) [F258300-B](#)
[F358300-B](#) [F407400](#) [F444110](#) [F487000](#) [F509500B-B](#) [827153-1](#) [8N1515-32-24P](#) [9-1326729-8](#) [925474-1](#) [928905-1](#) [964562-4](#) [968782-1](#)
[GT17SA-8DS-HU](#) [98891-1012](#) [98947-1016](#) [12004147](#) [12004475-L](#) [12010290](#) [12010309-B](#) [12015454](#) [12020219-B](#) [12041318-B](#) [12052225-](#)
[L](#) [12052466](#) [12064869](#) [12004327-B](#) [12015308](#) [12015384](#) [12015909](#) [1-21030-1](#) [12041254](#) [12041318](#) [12047946-B](#) [12047957](#) [12047957-L](#)
[12059473](#) [12066261](#) [12110546](#) [12110546-B](#)