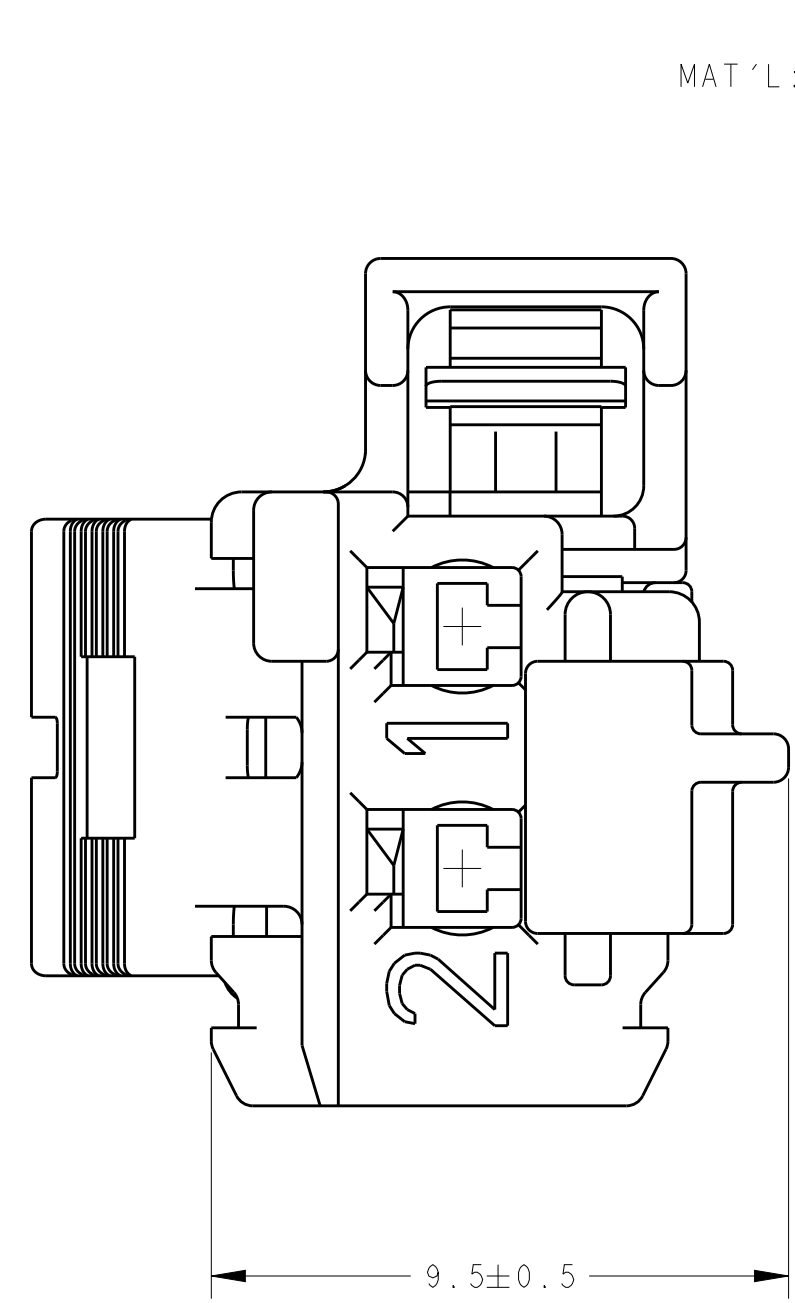
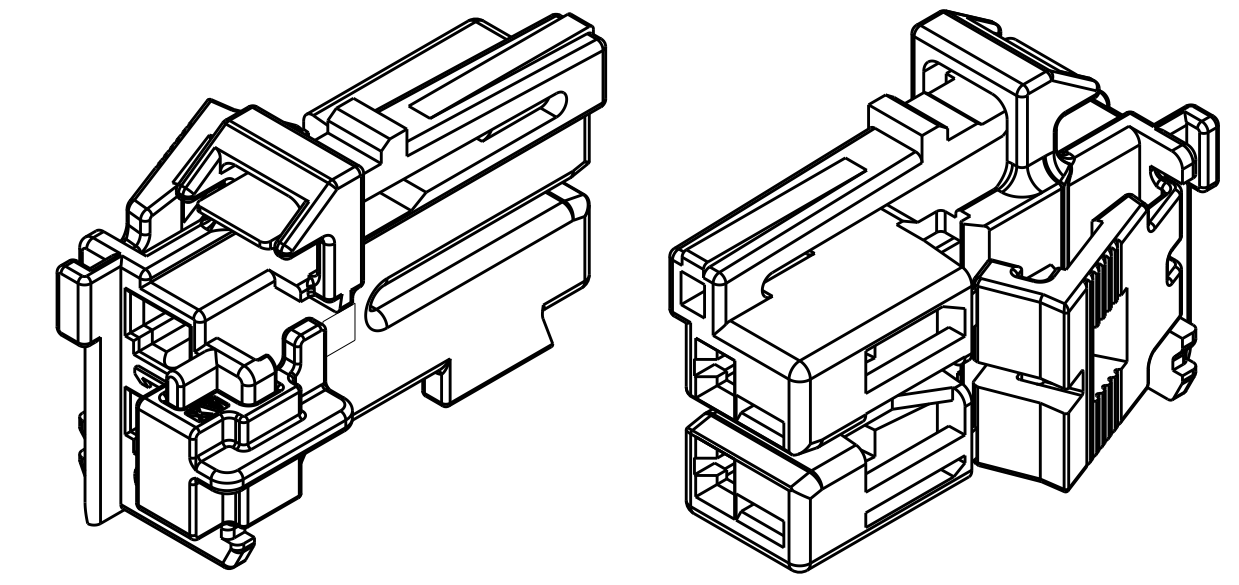
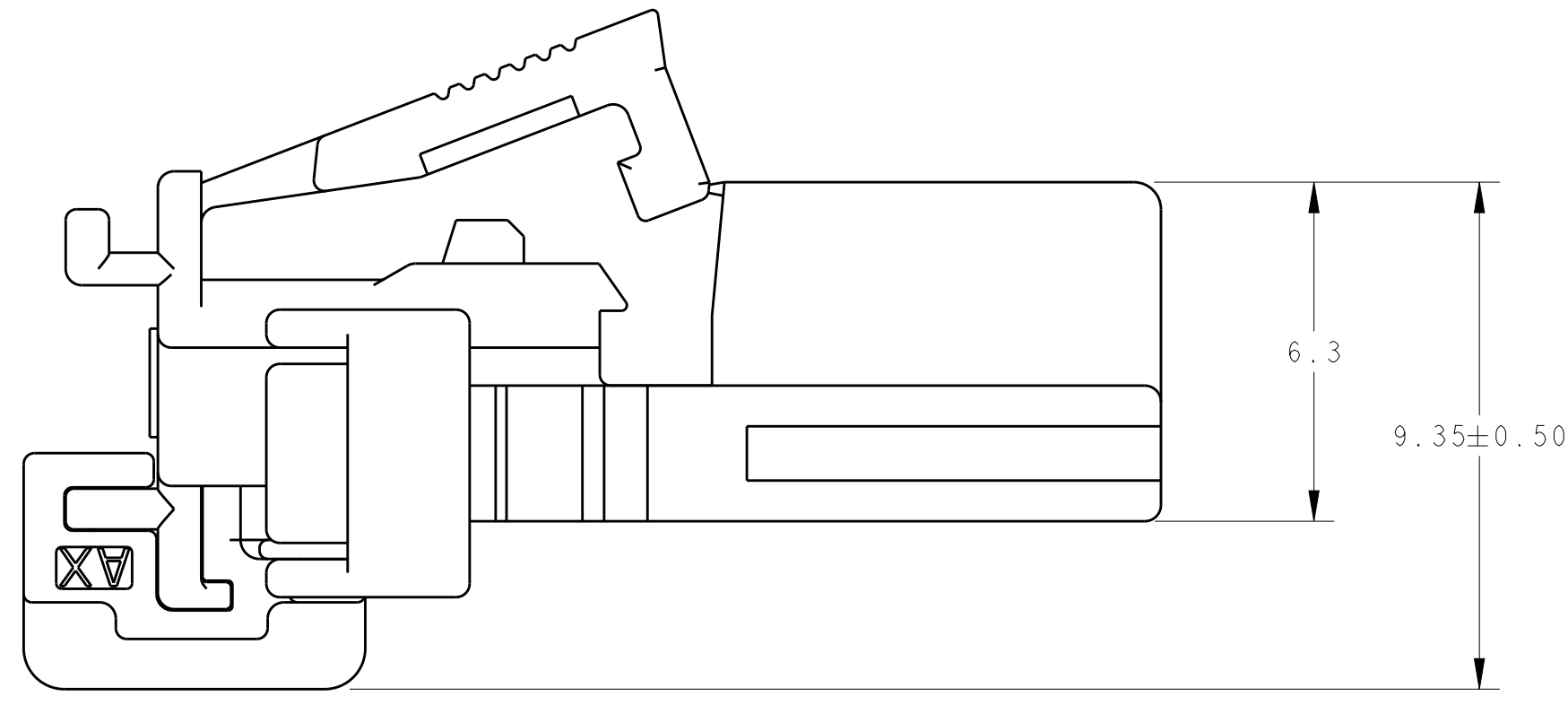
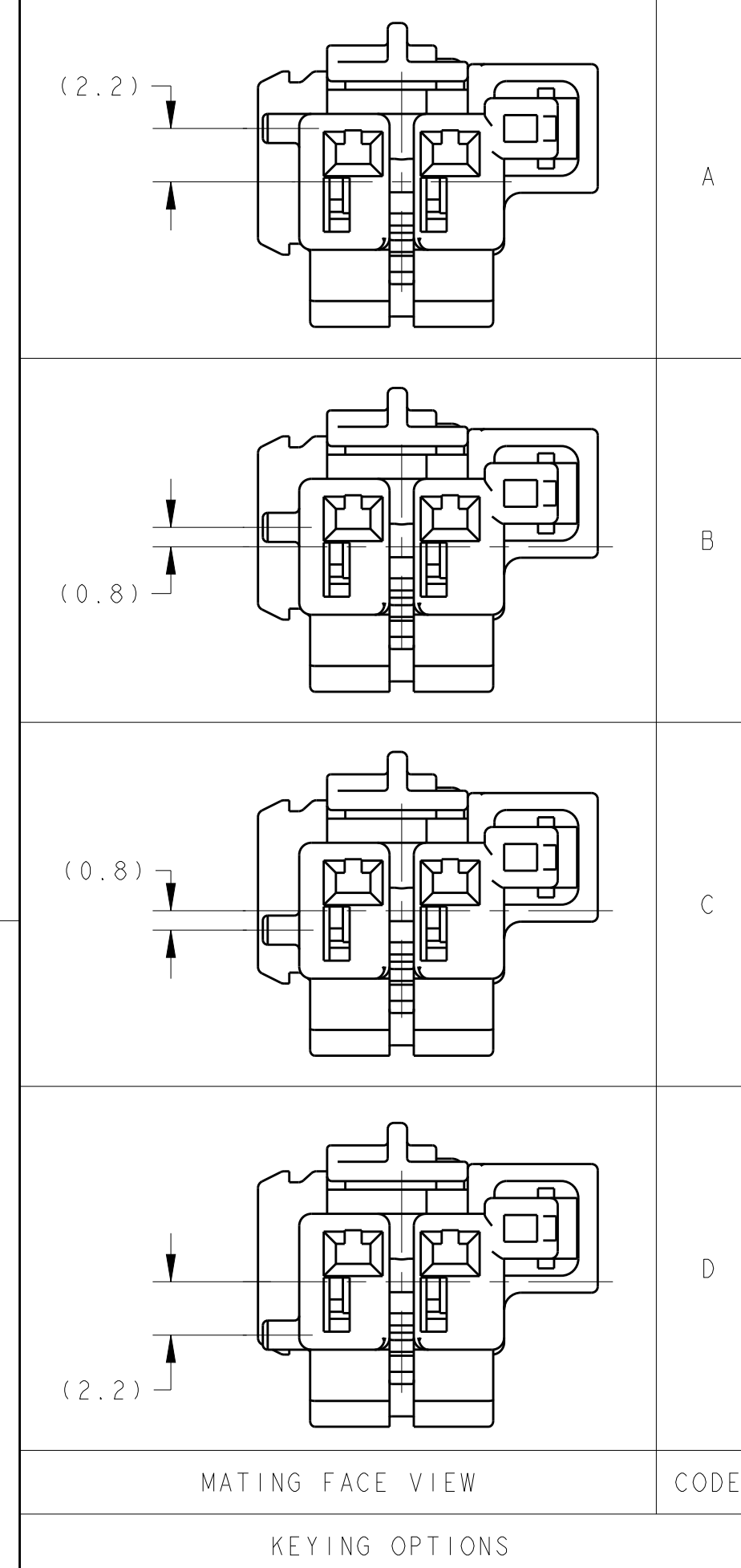
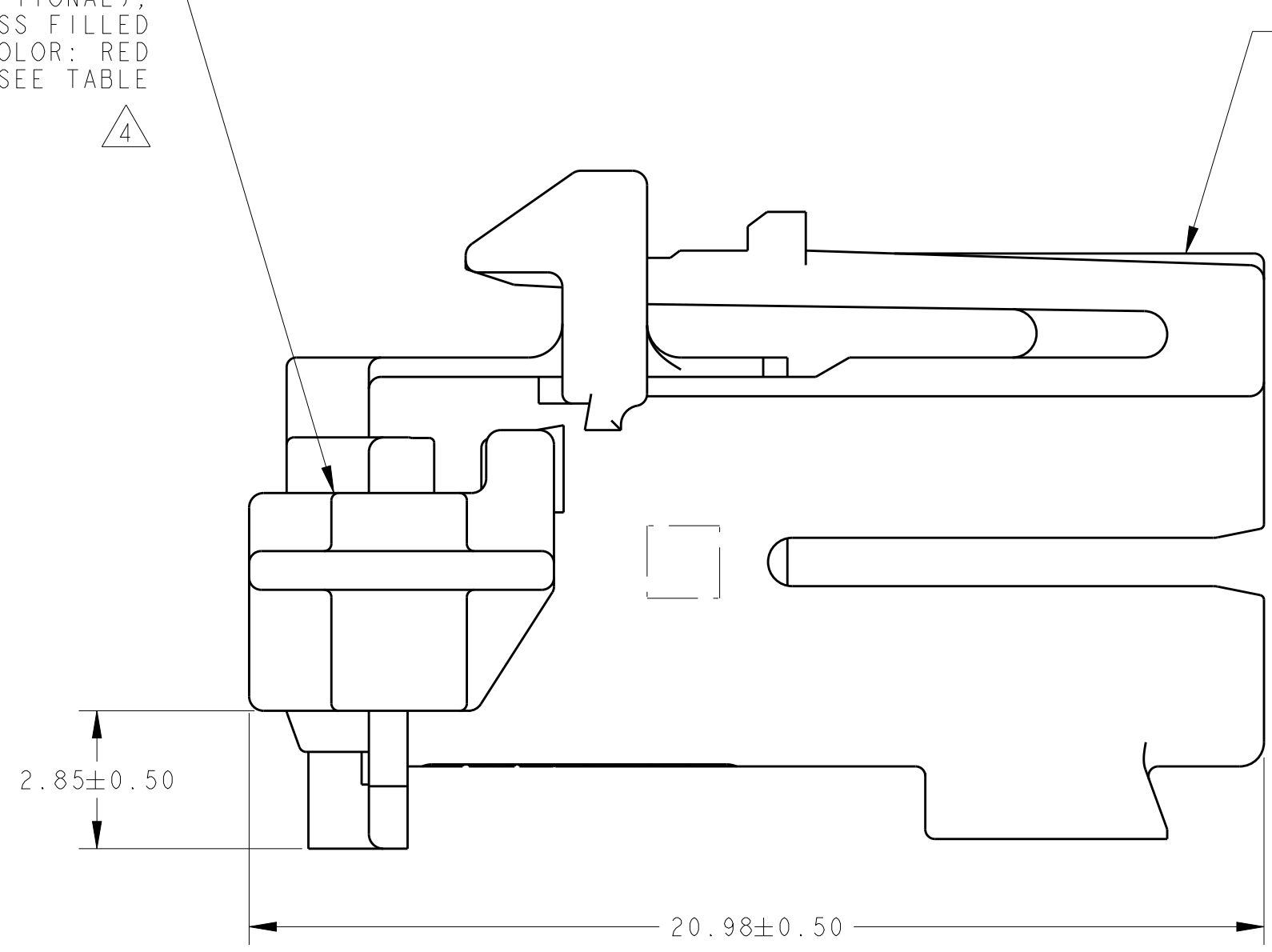


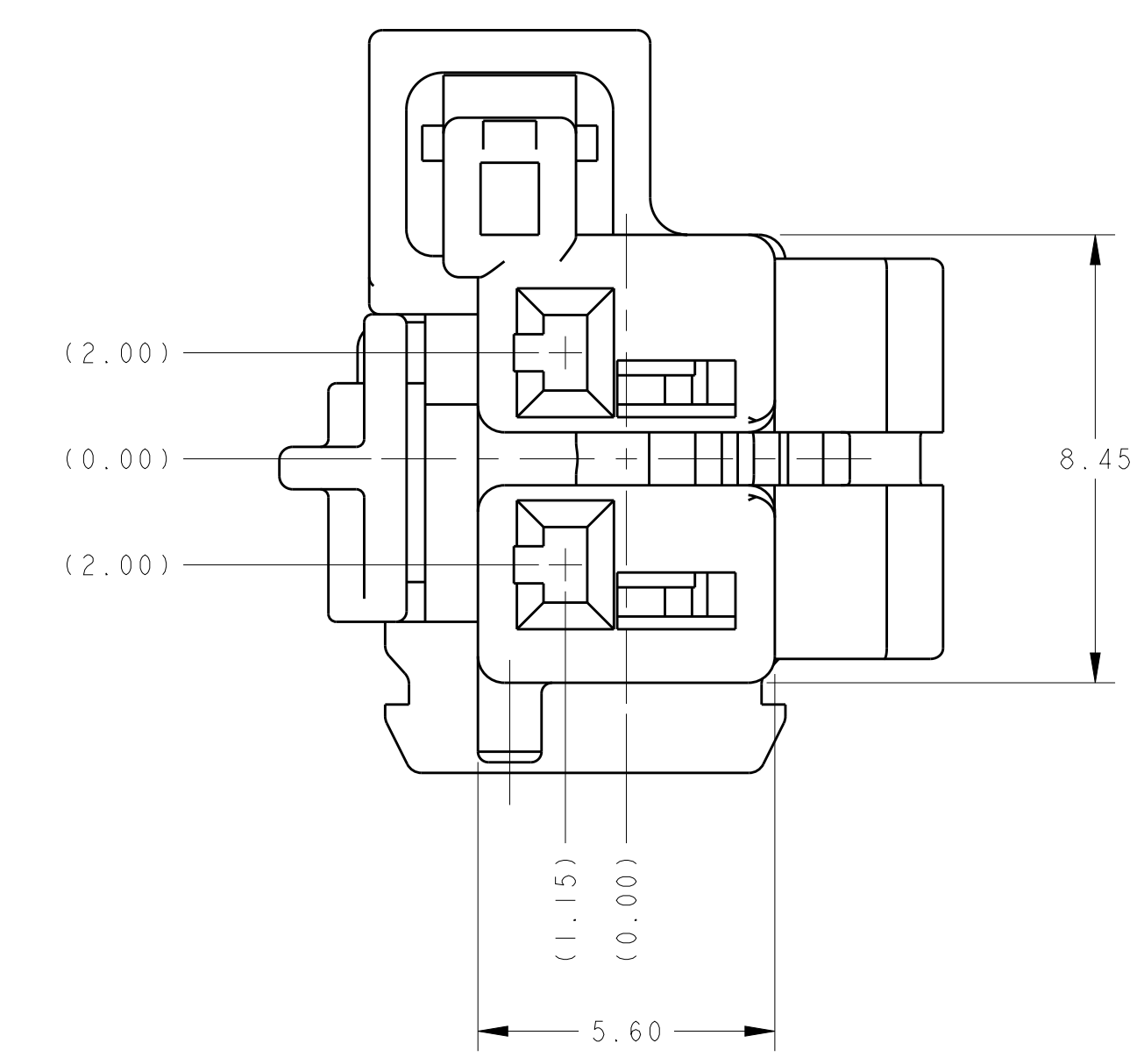
LOC	DIST	REVISIONS					
		P	LTN	DESCRIPTION	DATE	DWN	APVD
1	N	I		PROPOSED	29DEC2014	JRS	PDR
		A		UPDATED PRELIMINARY TO RELEASED STATUS	02DEC2015	PR	PR



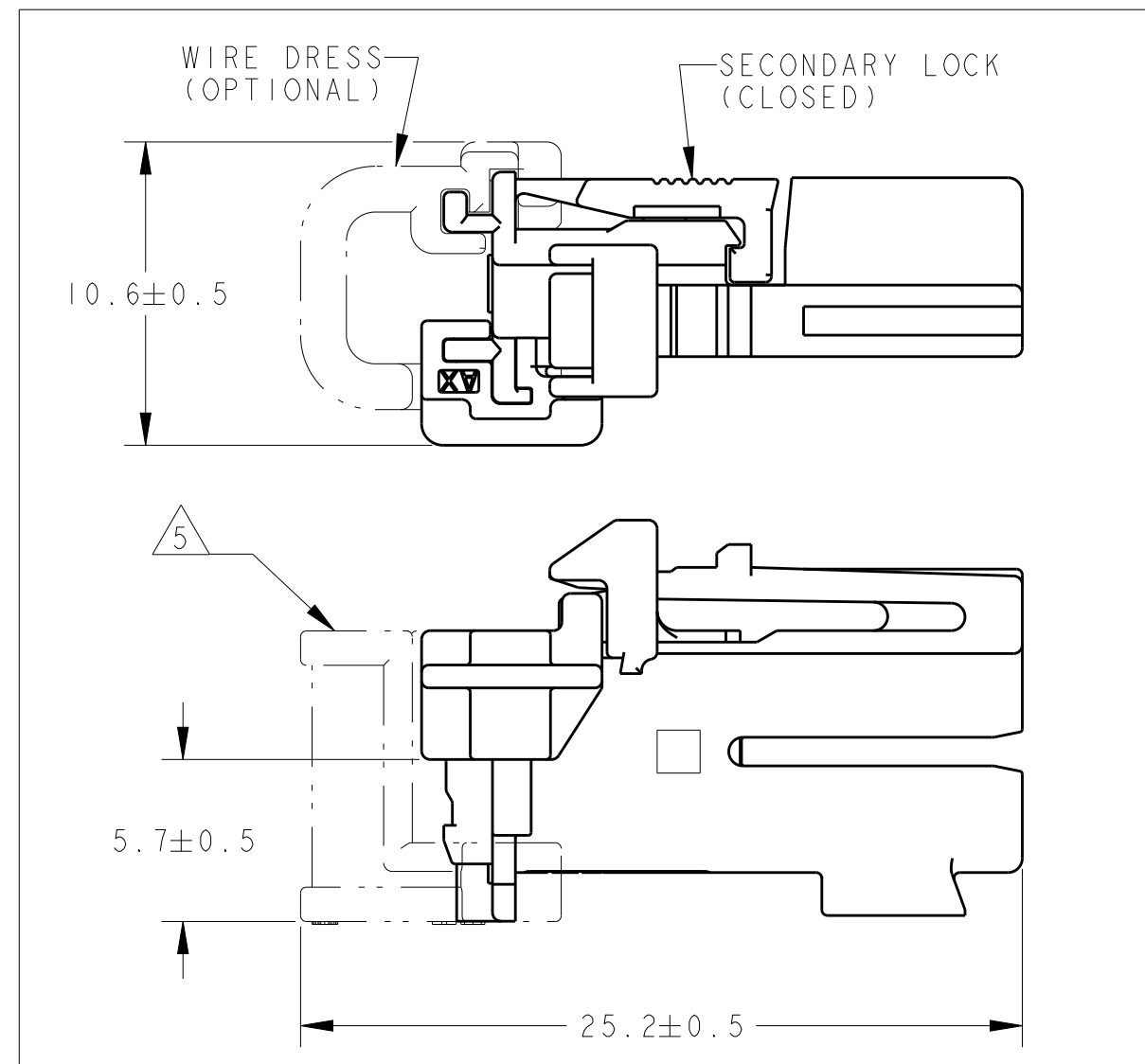
CPA (OPTIONAL),  
 MAT'L: PA66, 10% GLASS FILLED  
 COLOR: RED  
 QTY: SEE TABLE



PLUG HOUSING,  
 MAT'L: PA66, 10% GLASS FILLED  
 COLOR: SEE TABLE  
 QTY: 1



- 2289523-1 SHOWN IN GENERAL VIEWS.
  - PLUG ASSEMBLY WILL ACCEPT THE FOLLOWING TERMINAL PART NUMBERS: 1670144-1 (TIN PLATED) 0.50-0.75mm<sup>2</sup>
  - ASSEMBLY IS SHIPPED WITH SECONDARY LOCK IN THE PRE-LOCK POSITION AS SHOWN, SECONDARY LOCK MAY CLOSE INADVERTENTLY DURING SHIPPING IF THIS OCCURS, RELOCATE SECONDARY LOCK TO THE OPEN POSITION PRIOR TO INSERTION OF TERMINALS.
- △ CPA SHOWN IN PRE-STAGED, AS SHIPPED, POSITION.
- △ WIRE DRESS COVER IS NOT PART OF ASSEMBLY. IT IS SOLD AS A SEPARATE SALEABLE ITEM AS PART NUMBER 2203698-1.



CPA AND SECONDARY LOCK IN CLOSED POSITION WITH OPTIONAL WIRE DRESS (P/N 2203698-1)  
 SCALE 4:1

HOUSING COLOR	CPA QTY	KEYING OPTION	PART NUMBER
GRAY	NA	D	2289523-8
GREEN	NA	C	2289523-7
BLUE	NA	B	2289523-6
NATURAL (BROWN)	NA	A	2289523-5
GRAY	I	D	2289523-4
GREEN	I	C	2289523-3
BLUE	I	B	2289523-2
NATURAL (BROWN)	I	A	2289523-1

THIS DRAWING IS A CONTROLLED DOCUMENT.

DIMENSIONS: mm

TOLERANCES UNLESS OTHERWISE SPECIFIED:

0 PLC	±
1 PLC	±0.3
2 PLC	±0.15
3 PLC	±
4 PLC	±
ANGLES	±

MATERIAL: SEE CALLOUT

FINISH: -

WEIGHT: -

Customer Drawing

DWN: J. R. SHUEY 29DEC2014  
 CHK: P. D. ROMAN 29DEC2014  
 APVD: P. D. ROMAN 29DEC2014

NAME: PLUG ASSEMBLY  
 2 POSN, 1.2mm MCON

SIZE: A1  
 CAGE CODE: -  
 DRAWING NO: 2289523

RESTRICTED TO: -

SCALE: 8:1 SHEET 1 OF 1 REV A

## X-ON Electronics

Largest Supplier of Electrical and Electronic Components

*Click to view similar products for [Automotive Connectors](#) category:*

*Click to view products by [TE Connectivity](#) manufacturer:*

Other Similar products are found below :

[003-018-000](#) [60403001](#) [60993906-B](#) [M902-2131](#) [M902-2161](#) [M902-2344](#) [72.330.1035.1](#) [73.353.4028.0](#) [F119300-B](#) [F166900](#) [F258300-B](#)  
[F358300-B](#) [F407400](#) [F444110](#) [F487000](#) [F509500B-B](#) [827153-1](#) [8N1515-32-24P](#) [9-1326729-8](#) [925474-1](#) [928905-1](#) [964562-4](#) [968782-1](#)  
[GT17SA-8DS-HU](#) [98891-1012](#) [98947-1016](#) [12004147](#) [12004475-L](#) [12010290](#) [12010309-B](#) [12015454](#) [12020219-B](#) [12041318-B](#) [12052225-](#)  
[L](#) [12052466](#) [12064869](#) [12004327-B](#) [12015308](#) [12015384](#) [12015909](#) [1-21030-1](#) [12041254](#) [12041318](#) [12047946-B](#) [12047957](#) [12047957-L](#)  
[12059473](#) [12066261](#) [12110546](#) [12110546-B](#)