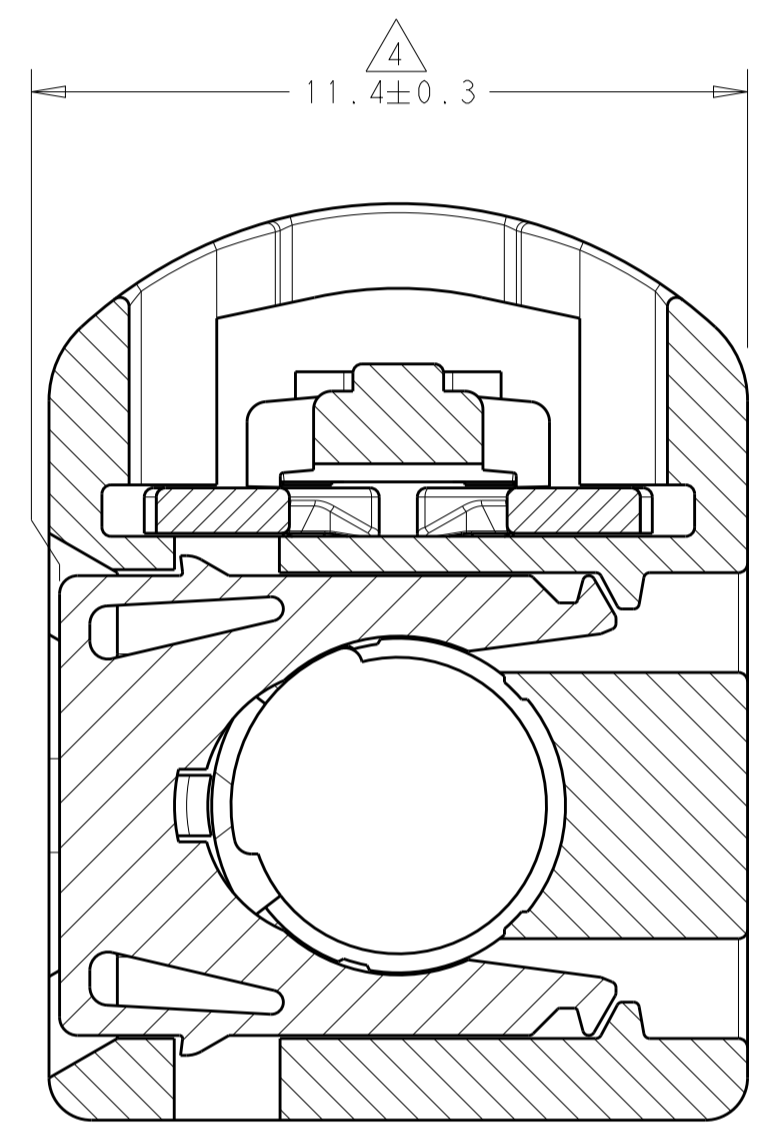
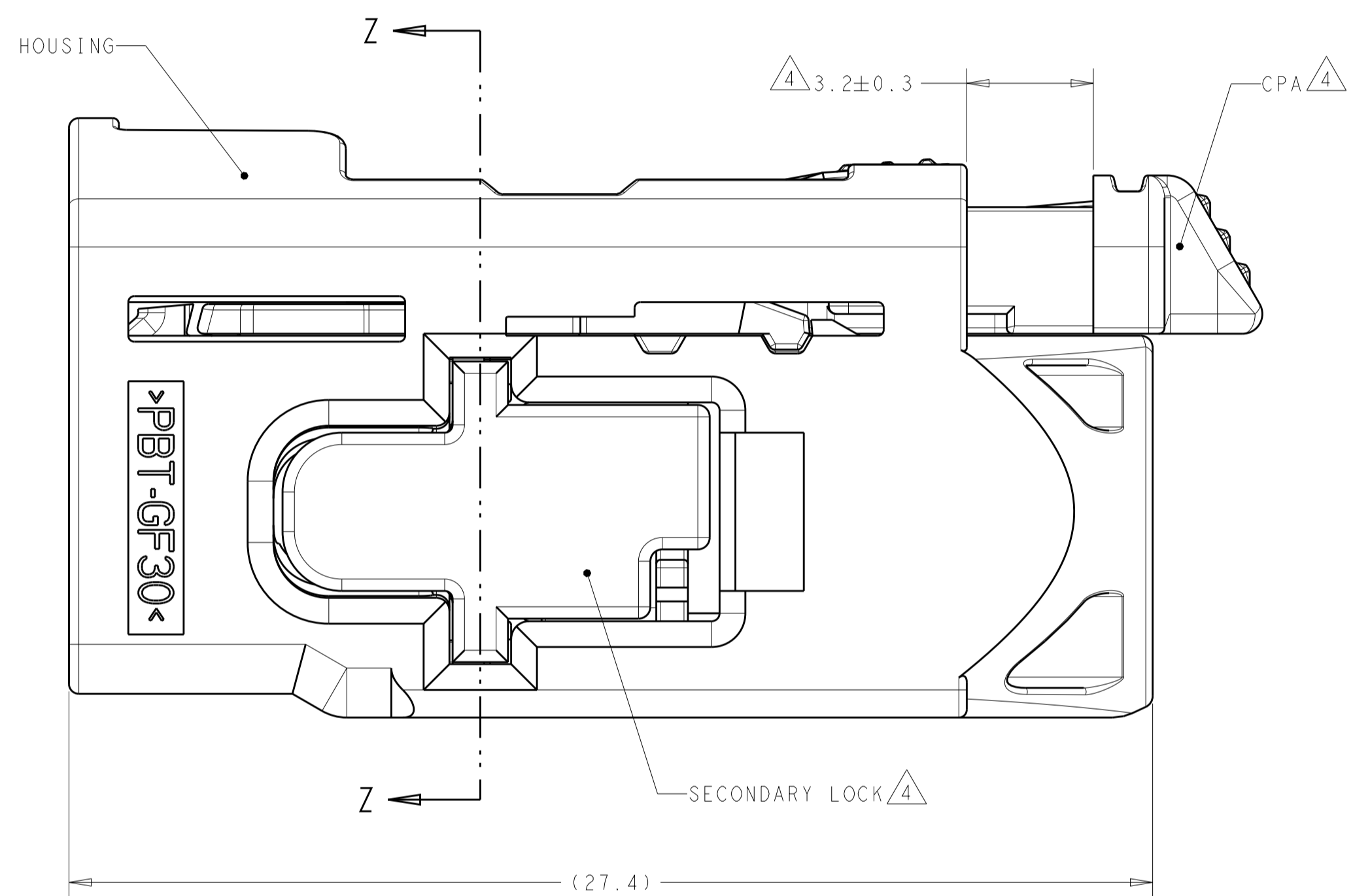
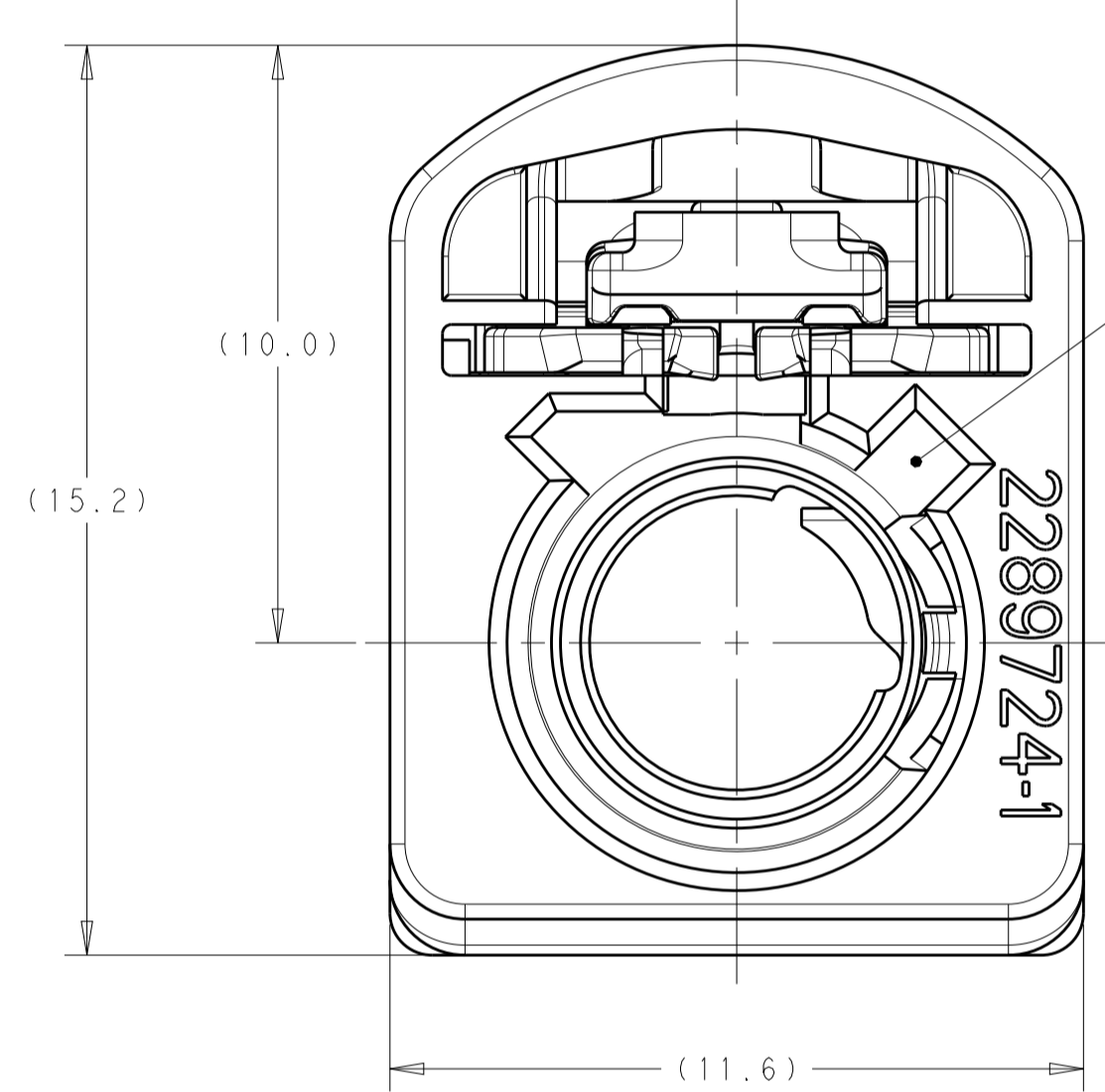
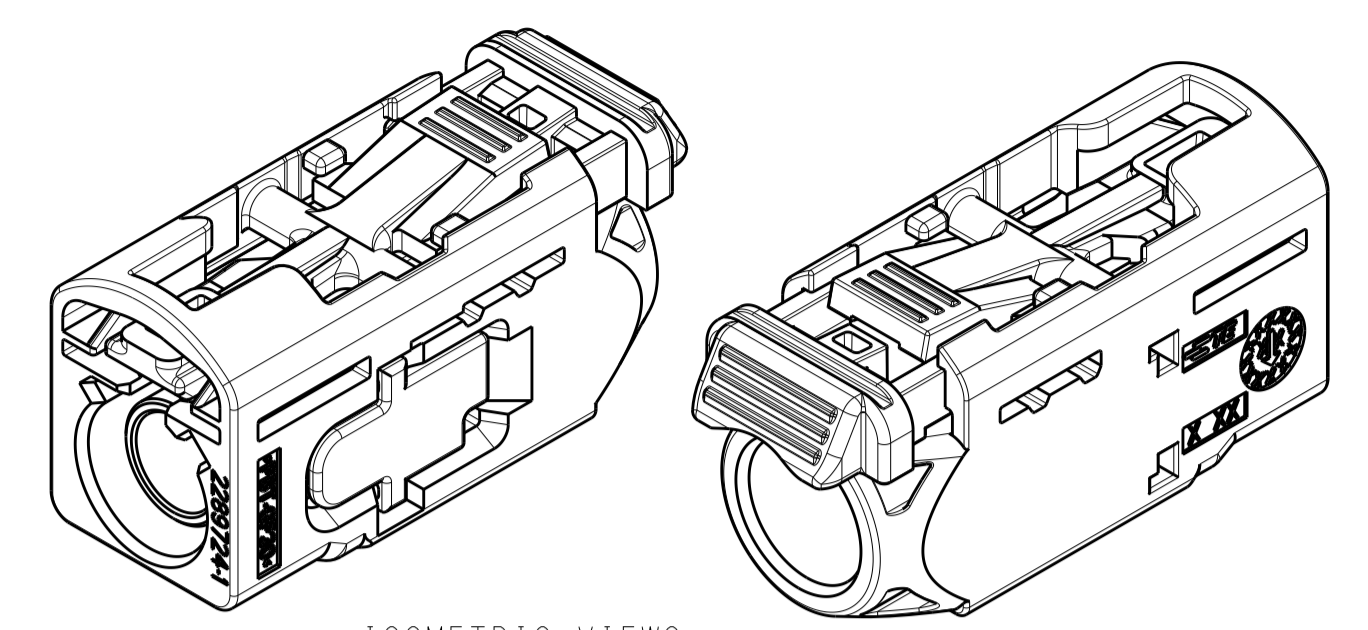
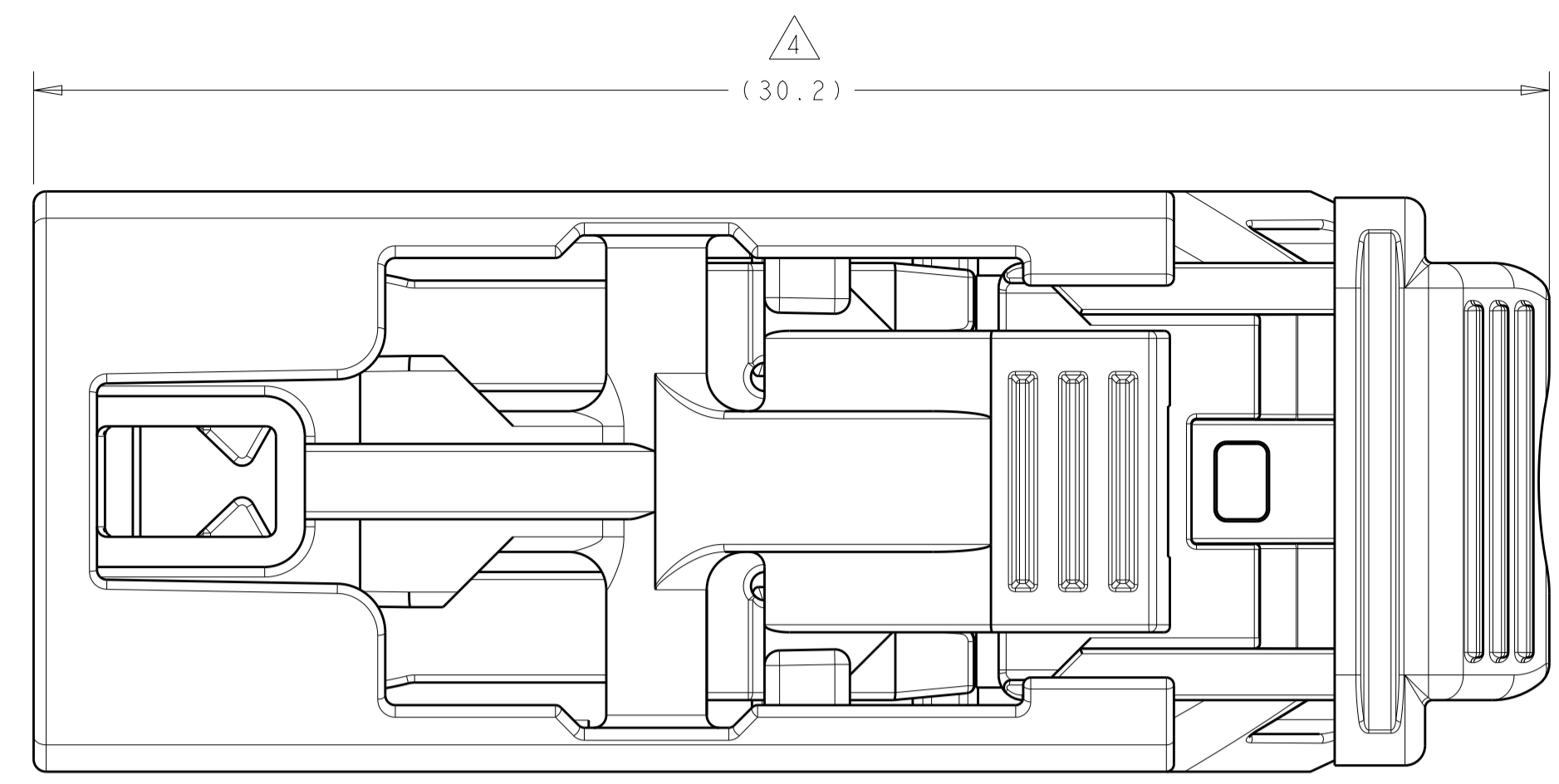


REVISIONS				
P.	LTN	DESCRIPTION	DATE	OWN APVD
A		RELEASED PER ECO-19-002122	11FEB2019	NLE JWH



2289729-1 AS SHOWN

WITHOUT CPA	WITH CPA	CPA	CABLE ASSEMBLY QTY=1	CODING REF	KEYING	CODING COLOR	PART NUMBER
Z	PER DETAIL Z	WATER BLUE	4-2289729-0				
N	PER DETAIL N	PASTEL GREEN	3-2289729-3				
M	PER DETAIL M	PASTEL ORANGE	3-2289729-2				
L	PER DETAIL L	CARMINE RED	3-2289729-1				
K	PER DETAIL K	CURRY	3-2289729-0				
I	PER DETAIL I	BEIGE	2-2289729-9				
H	PER DETAIL H	HEATHER VIOLET	2-2289729-8				
G	PER DETAIL G	BLUE GREY	2-2289729-7				
F	PER DETAIL F	NUT BROWN	2-2289729-6				
E	PER DETAIL E	LEAF GREEN	2-2289729-5				
D	PER DETAIL D	CLARET VIOLET	2-2289729-4				
C	PER DETAIL C	SIGNAL BLUE	2-2289729-3				
B	PER DETAIL B	CREAM	2-2289729-2				
A	PER DETAIL A	JET BLACK	2-2289729-1				
Z	PER DETAIL Z	WATER BLUE	2-2289729-0				
N	PER DETAIL N	PASTEL GREEN	1-2289729-3				
M	PER DETAIL M	PASTEL ORANGE	1-2289729-2				
L	PER DETAIL L	CARMINE RED	1-2289729-1				
K	PER DETAIL K	CURRY	1-2289729-0				
I	PER DETAIL I	BEIGE	2289729-9				
H	PER DETAIL H	HEATHER VIOLET	2289729-8				
G	PER DETAIL G	BLUE GREY	2289729-7				
F	PER DETAIL F	NUT BROWN	2289729-6				
E	PER DETAIL E	LEAF GREEN	2289729-5				
D	PER DETAIL D	CLARET VIOLET	2289729-4				
C	PER DETAIL C	SIGNAL BLUE	2289729-3				
B	PER DETAIL B	CREAM	2289729-2				
A	PER DETAIL A	JET BLACK	2289729-1				

- 1 HOUSING - POLYESTER PBT, COLOR: SEE TABLE, GLASS FILLED
 CPA - POLYESTER PBT, TRAFFIC RED, GLASS FILLED
 SECONDARY LOCK - POLYESTER PBT, WATER BLUE, GLASS FILLED
- 2 CABLE ASSEMBLY: SEE TABLE.
- 3 FEMALE INTERFACE PER ISO-20860-1, ISO-20860-2, SAE/USCAR-17, SAE/USCAR-18.
- 4 SECONDARY LOCK AND CPA IN PRESET POSITION. IF SECONDARY LOCK IS IN FULLY LOCKED POSITION, SEE 408-162008 FOR INSTRUCTIONS TO RESET SECONDARY LOCK TO PRESET POSITION.

THIS DRAWING IS A CONTROLLED DOCUMENT. DWN: D.J.HARDY 14APR2015, CHK: D.J.LANE 14APR2015, APVD: D.J.LANE 14APR2015

TE Connectivity

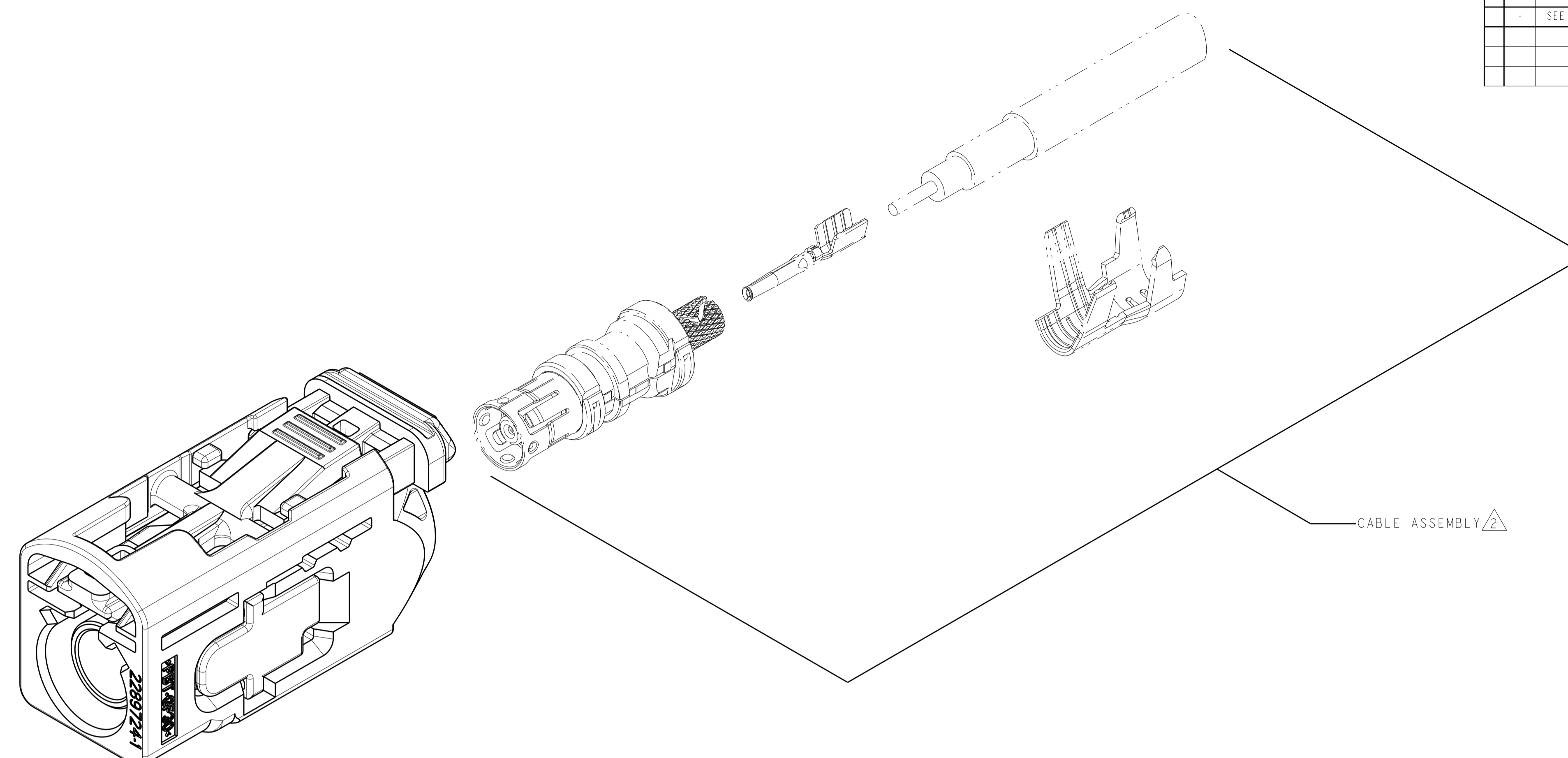
NAME: FEMALE KIT, CPA, 1 POSITION, FAKRA AUTOMATED

PRODUCT SPEC: 108-32137, APPLICATION SPEC: 114-32145

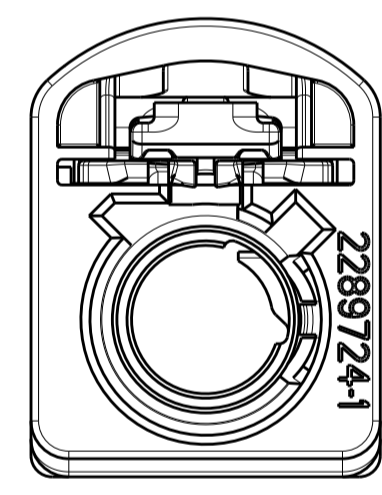
SIZE: A1, CAGE CODE: - , DRAWING NO: C=2289729, SHEET 1 OF 2, REV A

SCALE: 8:1

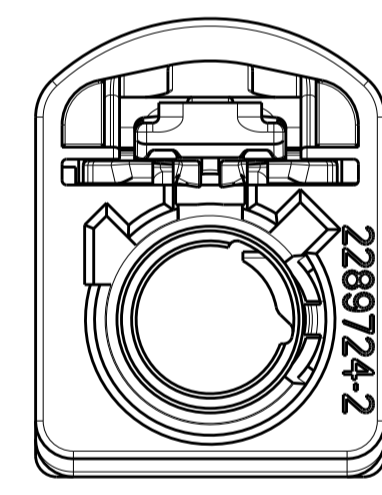
REVISIONS				
P.	LTN	DESCRIPTION	DATE	APVD
-		SEE SHEET 1	-	-



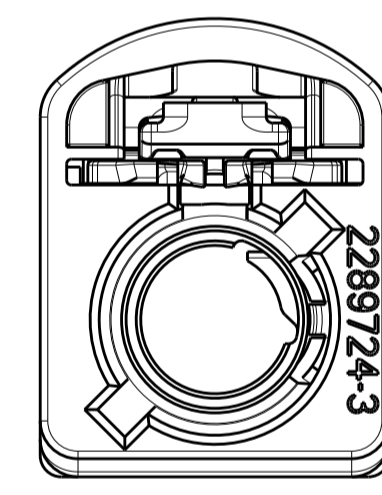
22897291 AS SHOWN
 SCALE 5:1



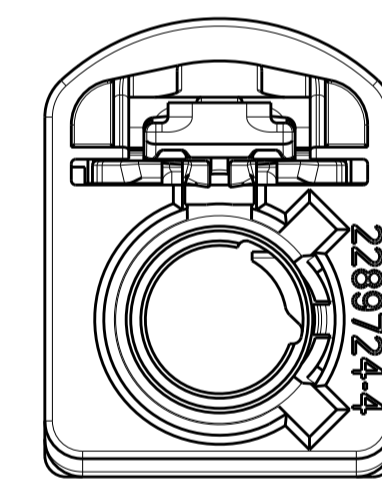
DETAIL A
 SCALE 4:1



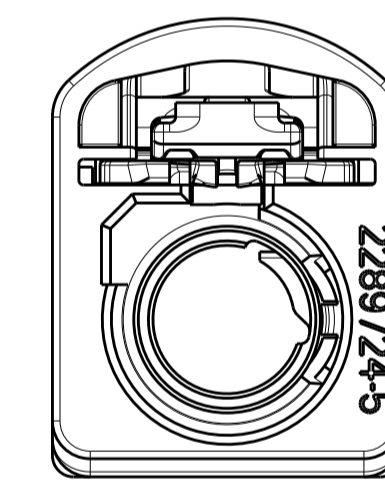
DETAIL B
 SCALE 4:1



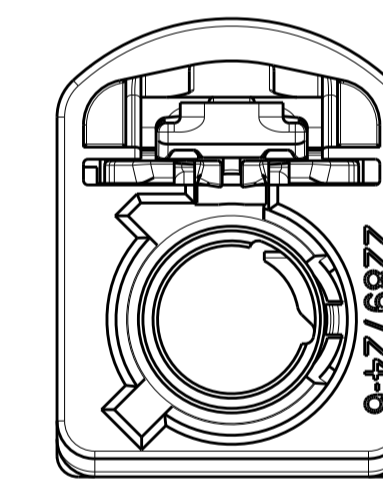
DETAIL C
 SCALE 4:1



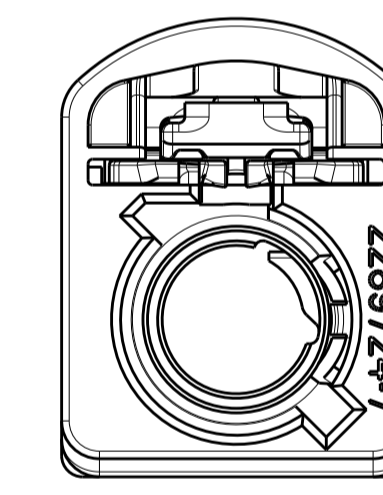
DETAIL D
 SCALE 4:1



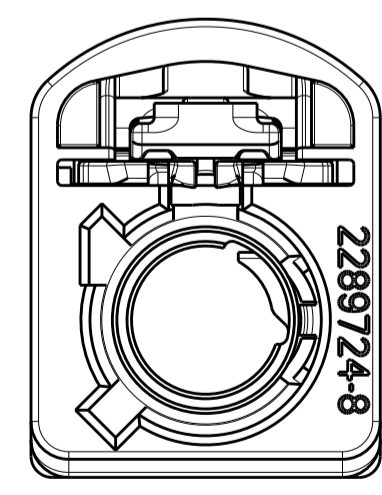
DETAIL E
 SCALE 4:1



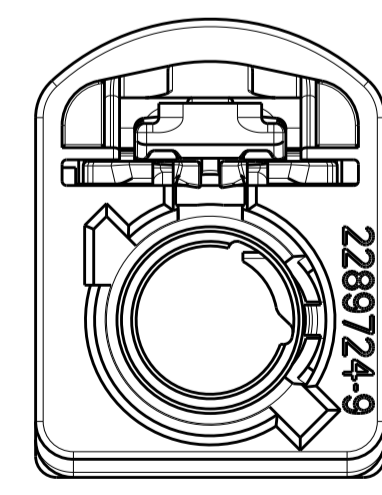
DETAIL F
 SCALE 4:1



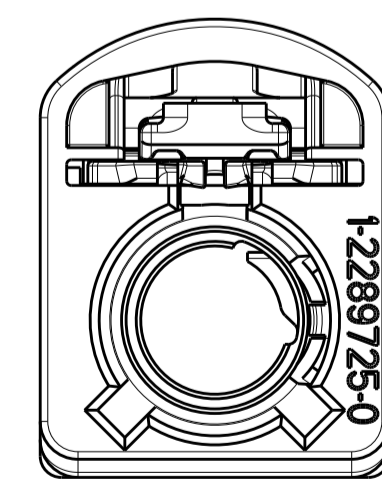
DETAIL G
 SCALE 4:1



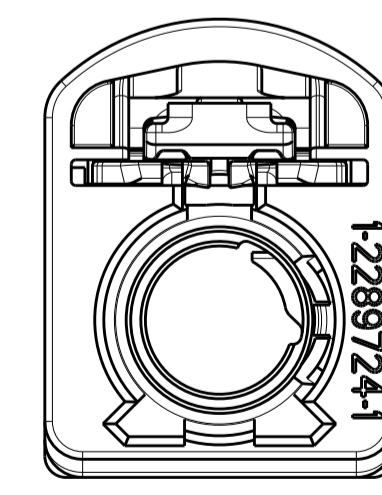
DETAIL H
 SCALE 4:1



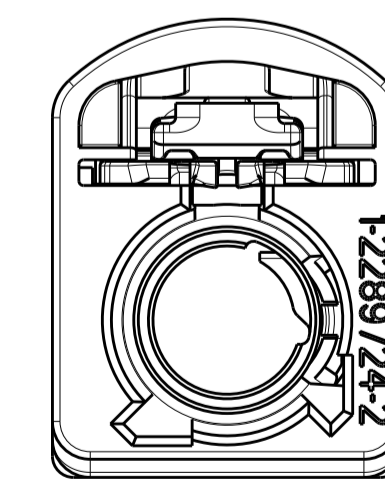
DETAIL I
 SCALE 4:1



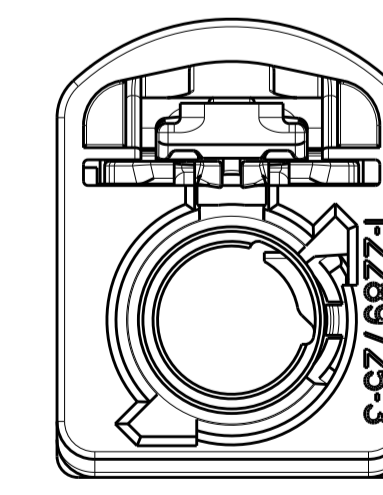
DETAIL K
 SCALE 4:1



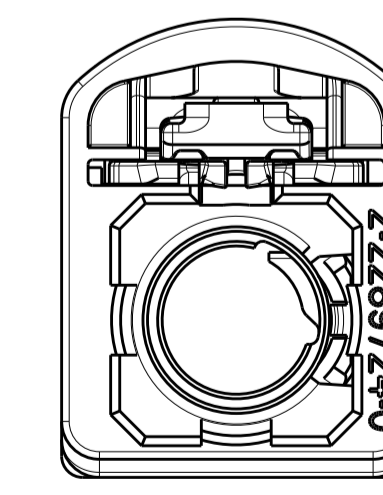
DETAIL L
 SCALE 4:1



DETAIL M
 SCALE 4:1



DETAIL N
 SCALE 4:1



DETAIL Z
 SCALE 4:1

THIS DRAWING IS A CONTROLLED DOCUMENT.		OWN: D. J. HARDY 14APR2015		NAME: FEMALE KIT, CPA, 1 POSITION, FAKRA AUTOMATED		
DIMENSIONS:		CHK: D. J. LANE 14APR2015		PRODUCT SPEC: 108-32137	SIZE: A1	RESTRICTED TO: -
TOLERANCES UNLESS OTHERWISE SPECIFIED:		APVD: D. J. LANE 14APR2015		APPLICATION SPEC: 114-32145	CAGE CODE: -	DRAWING NO: C=2289729
mm				WEIGHT: -	SCALE: 5:1	SHEET 2 OF 2
0 PLC ±					REV: A	
1 PLC ±						
2 PLC ±						
3 PLC ±						
4 PLC ±						
ANGLES ±						
FINISH						
MATERIAL: -						
CUSTOMER DRAWING						

X-ON Electronics

Largest Supplier of Electrical and Electronic Components

Click to view similar products for [Automotive Connectors](#) category:

Click to view products by [TE Connectivity](#) manufacturer:

Other Similar products are found below :

[003-018-000](#) [60403001](#) [60993906-B](#) [M902-2131](#) [M902-2161](#) [72.330.1035.1](#) [73.353.4028.0](#) [F119300-B](#) [F166900](#) [F258300-B](#) [F358300-B](#)
[F407400](#) [F444110](#) [F487000](#) [F509500B-B](#) [827153-1](#) [8N1515-32-24P](#) [9-1326729-8](#) [925474-1](#) [928905-1](#) [964562-4](#) [968782-1](#) [GT17SA-8DS-](#)
[HU](#) [98891-1012](#) [98947-1016](#) [12004147](#) [12004475-L](#) [12010290](#) [12010309-B](#) [12015454](#) [12020219-B](#) [12020308](#) [12041318-B](#) [12052225-L](#)
[12052466](#) [12059125](#) [12064869](#) [12004327-B](#) [12010503-B](#) [12015308](#) [12015384](#) [12015909](#) [1-21030-1](#) [12041254](#) [12041318](#) [12047946-B](#)
[12047957](#) [12047957-L](#) [12059473](#) [12066261](#)