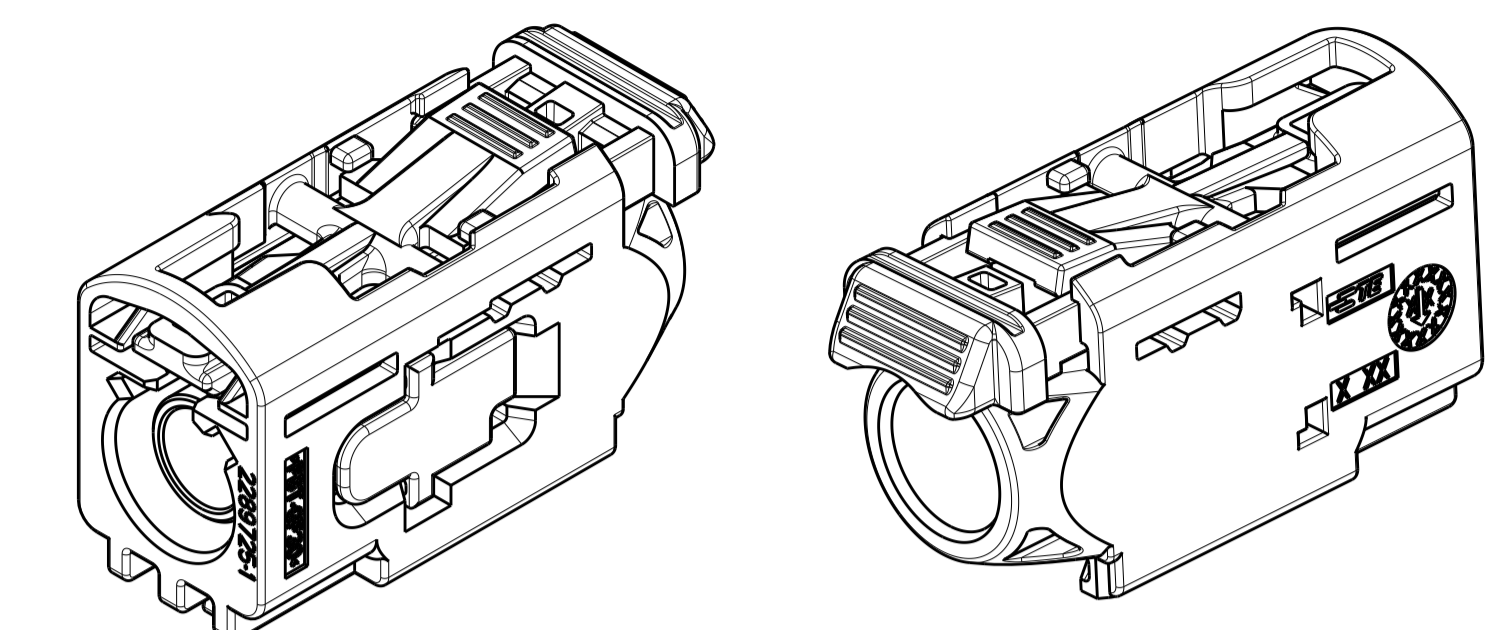
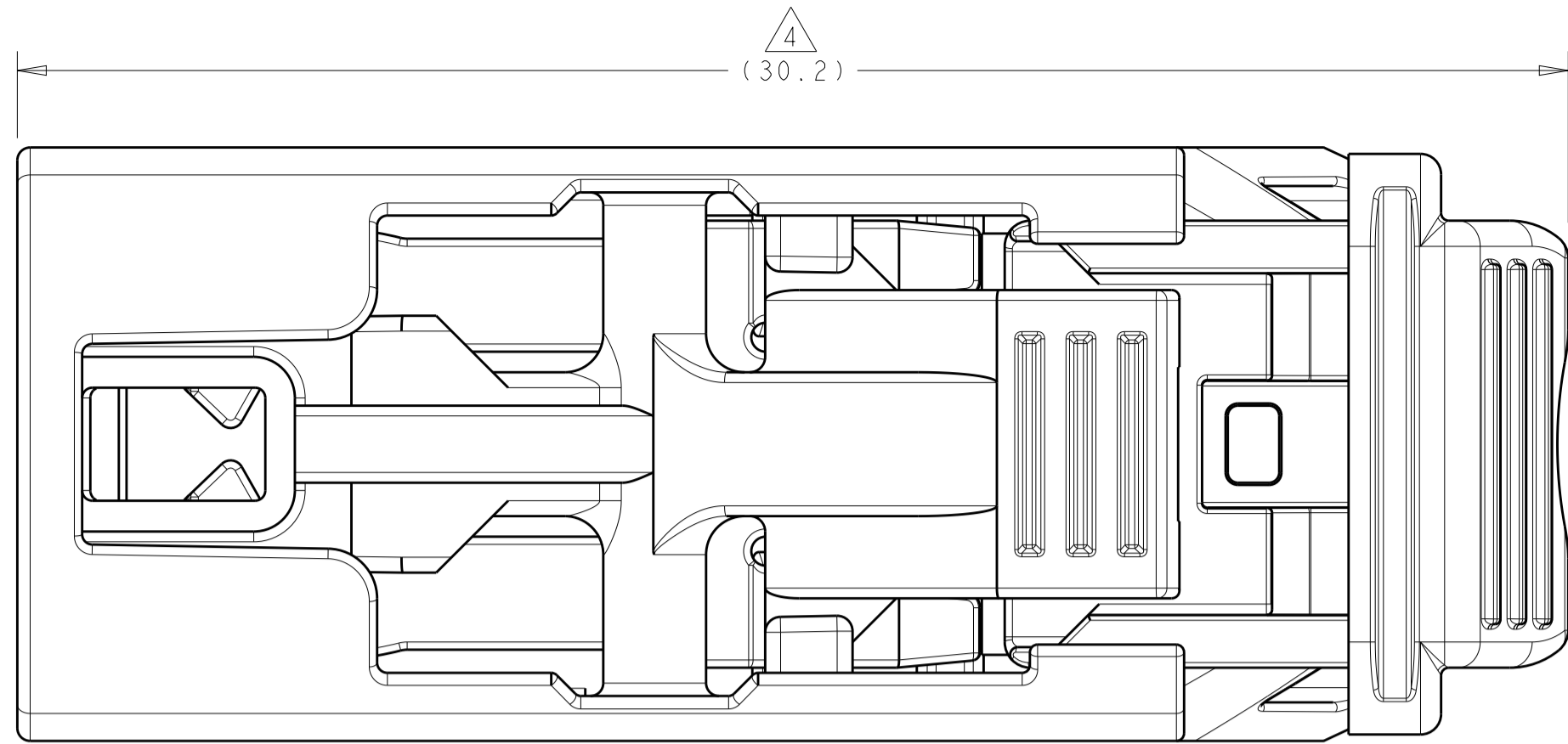
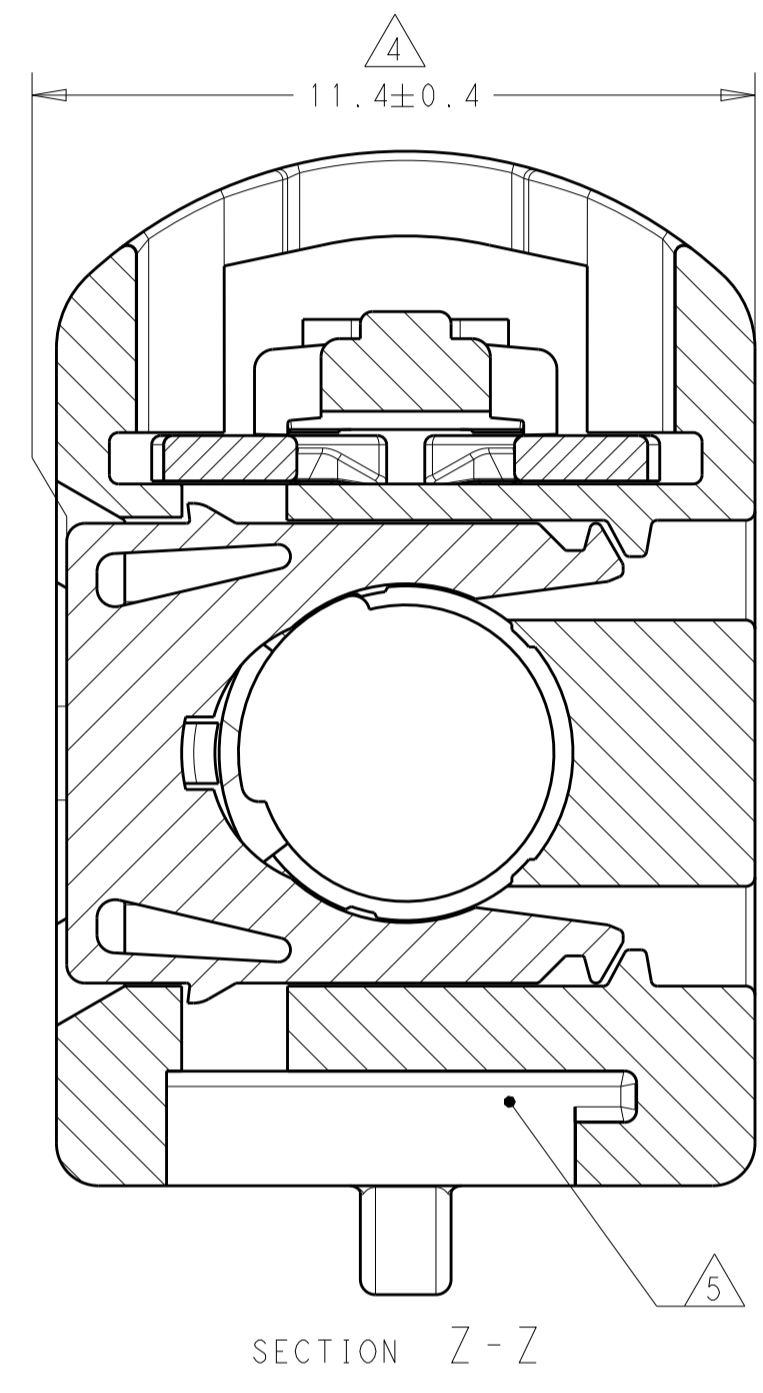
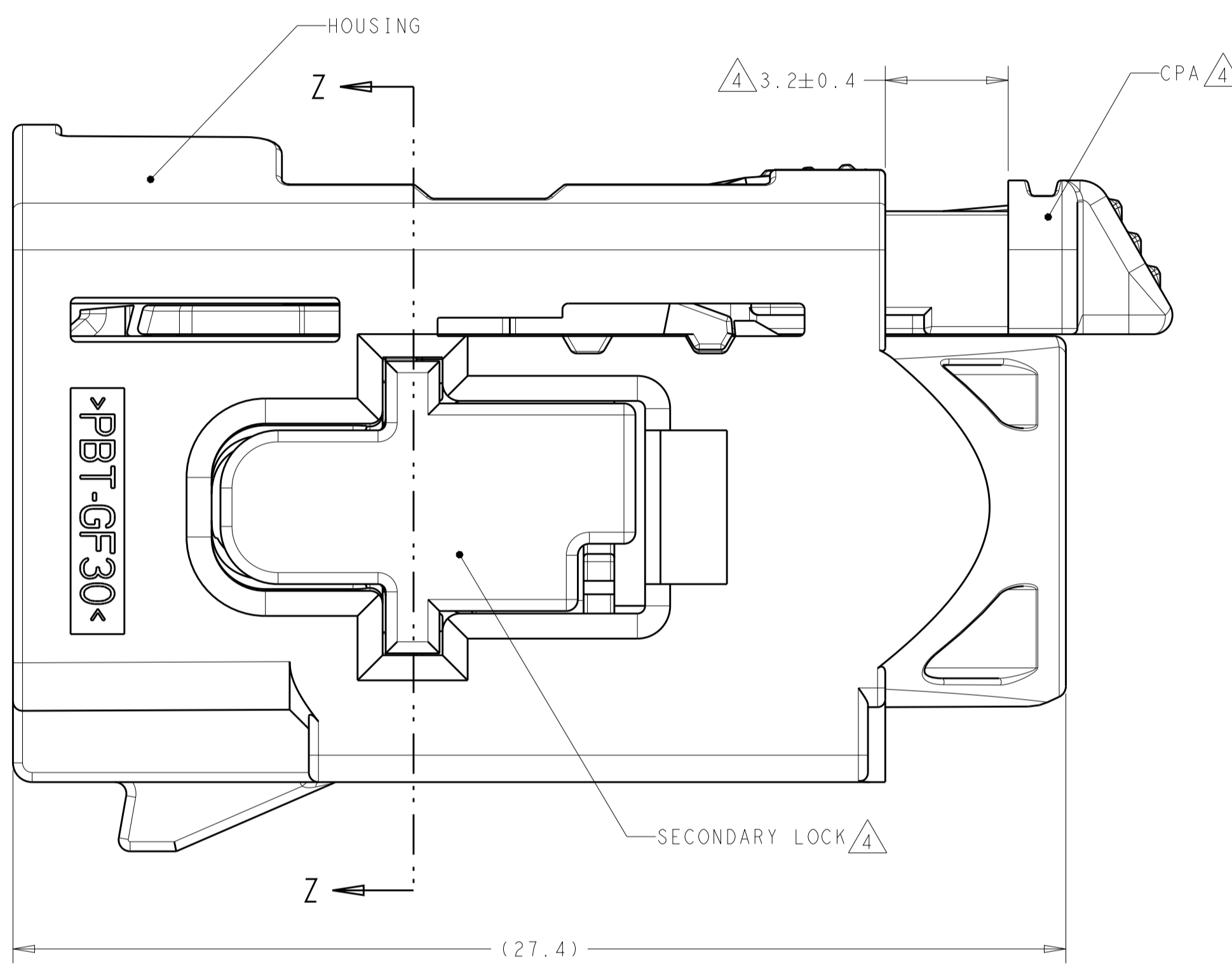
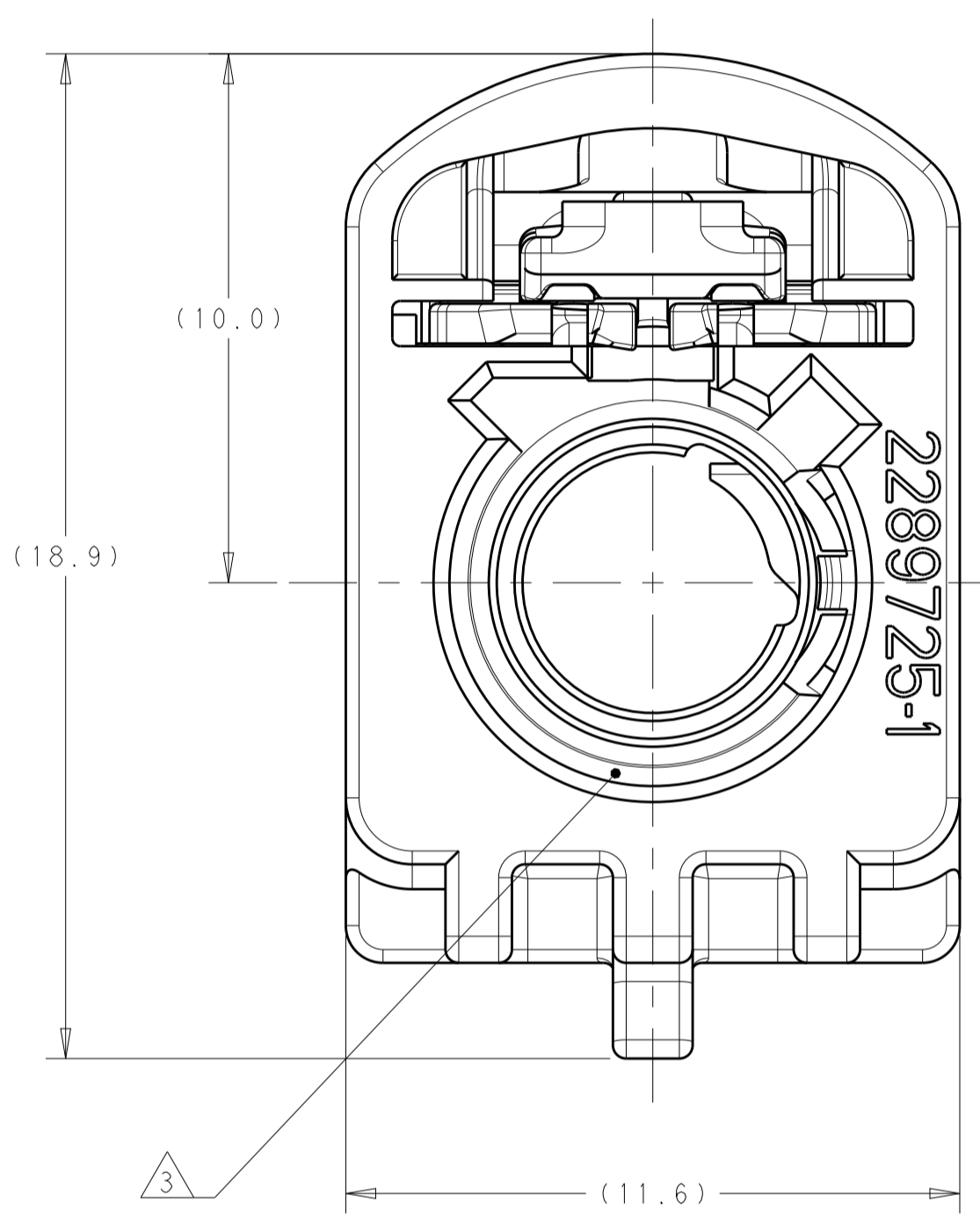


REVISIONS				
P.	LTN	DESCRIPTION	DATE	APP'D
A		RELEASED PER ECO-19-002122	11FEB2019	NLE JWH



ISOMETRIC VIEWS
SCALE 3:1



SECTION Z-Z

2289730-1 AS SHOWN

- ① HOUSING - POLYESTER PBT, COLOR: SEE TABLE, GLASS FILLED
 CPA - POLYESTER PBT, TRAFFIC RED, GLASS FILLED
 SECONDARY LOCK - POLYESTER PBT, WATER BLUE, GLASS FILLED
- ② CABLE ASSEMBLY: SEE TABLE.
- ③ FEMALE INTERFACE PER ISO-20860-1, ISO-20860-2, SAE/USCAR-17, SAE/USCAR-18.
- ④ SECONDARY LOCK AND CPA IN PRESET POSITION. IF SECONDARY LOCK IS IN FULLY LOCKED POSITION, SEE 408-162008 FOR INSTRUCTIONS TO RESET SECONDARY LOCK TO PRESET POSITION.
- ⑤ CLIP SLOT PER SAE/USCAR-18, EWCAP-005-7.

CPA	CABLE ASSEMBLY QTY=1	CODING REF	KEYING	CODING COLOR	PART NUMBER		
WITHOUT CPA	2203275 (SOLD SEPARATELY) SEE SHEET 2	Z	PER DETAIL Z	WATER BLUE	4-2289730-0		
		N	PER DETAIL N	PASTEL GREEN	3-2289730-3		
		M	PER DETAIL M	PASTEL ORANGE	3-2289730-2		
		L	PER DETAIL L	CARMINE RED	3-2289730-1		
		K	PER DETAIL K	CURRY	3-2289730-0		
		I	PER DETAIL I	BEIGE	2-2289730-9		
		H	PER DETAIL H	HEATHER VIOLET	2-2289730-8		
		G	PER DETAIL G	BLUE GREY	2-2289730-7		
		F	PER DETAIL F	NUT BROWN	2-2289730-6		
		E	PER DETAIL E	LEAF GREEN	2-2289730-5		
		D	PER DETAIL D	CLARET VIOLET	2-2289730-4		
		C	PER DETAIL C	SIGNAL BLUE	2-2289730-3		
		B	PER DETAIL B	CREAM	2-2289730-2		
		A	PER DETAIL A	JET BLACK	2-2289730-1		
		WITH CPA	2203275 (SOLD SEPARATELY) SEE SHEET 2	Z	PER DETAIL Z	WATER BLUE	2-2289730-0
				N	PER DETAIL N	PASTEL GREEN	1-2289730-3
M	PER DETAIL M			PASTEL ORANGE	1-2289730-2		
L	PER DETAIL L			CARMINE RED	1-2289730-1		
K	PER DETAIL K			CURRY	1-2289730-0		
I	PER DETAIL I			BEIGE	2289730-9		
H	PER DETAIL H			HEATHER VIOLET	2289730-8		
G	PER DETAIL G			BLUE GREY	2289730-7		
F	PER DETAIL F			NUT BROWN	2289730-6		
E	PER DETAIL E			LEAF GREEN	2289730-5		
D	PER DETAIL D			CLARET VIOLET	2289730-4		
C	PER DETAIL C			SIGNAL BLUE	2289730-3		
B	PER DETAIL B			CREAM	2289730-2		
A	PER DETAIL A			JET BLACK	2289730-1		

THIS DRAWING IS A CONTROLLED DOCUMENT. DWG: D. J. HARDY 14APR2015
 CHK: D. J. HARDY 14APR2015
 APVD: D. J. HARDY 14APR2015

TE TE Connectivity

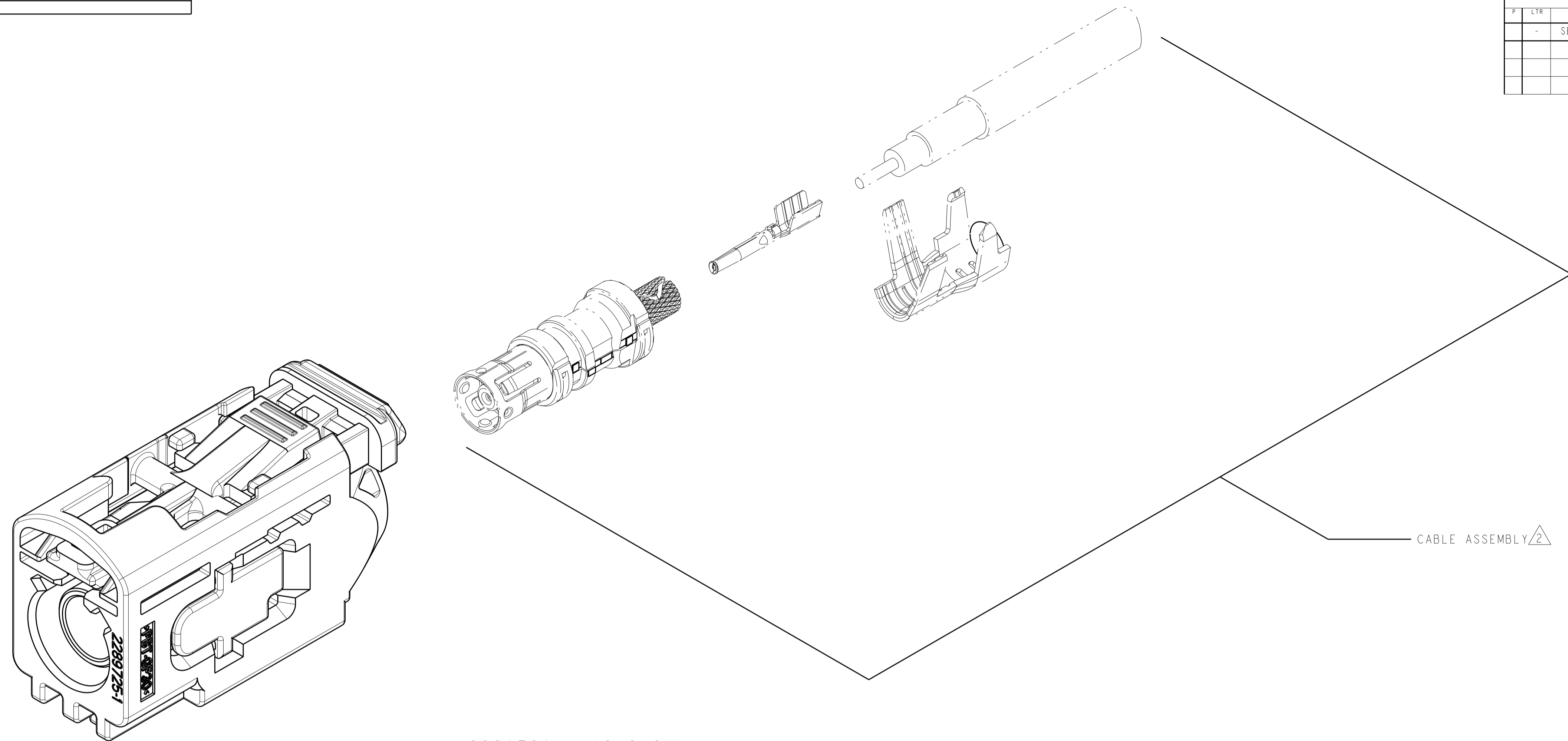
NAME: FEMALE KIT, CPA, CLIP SLOT, 1 POSITION, FAKRA AUTOMATED

PRODUCT SPEC: 108-32137
 APPLICATION SPEC: 114-32145

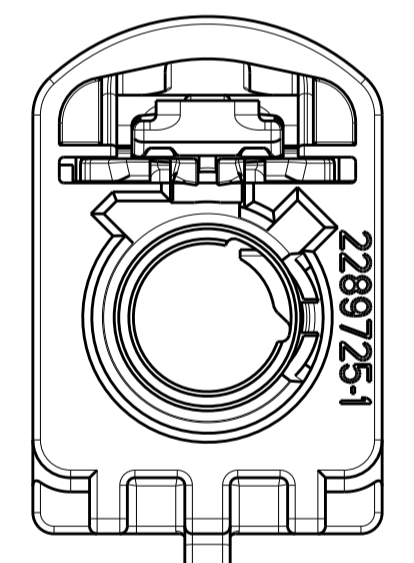
SIZE: A1 CAGE CODE: DRAWING NO: C=2289730
 WEIGHT: RESTRICTED CUSTOMER

SCALE: 8:1 SHEET 1 OF 2 REV A

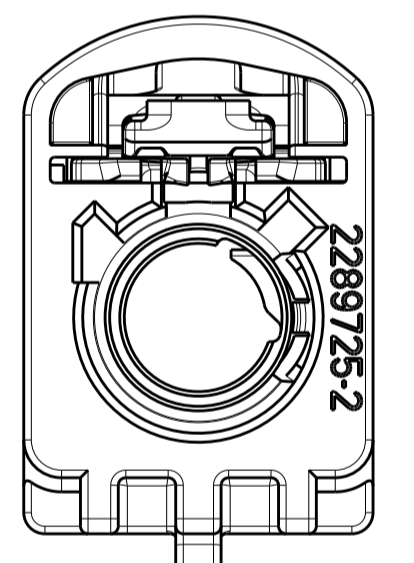
REVISIONS				
P.	LTN	DESCRIPTION	DATE	APVD
-		SEE SHEET 1	-	-



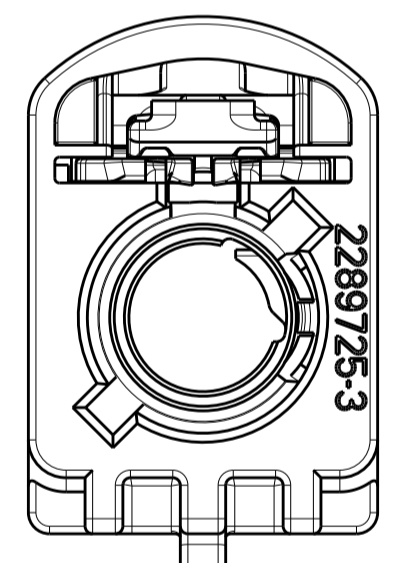
2289730-1 AS SHOWN
SCALE 5:1



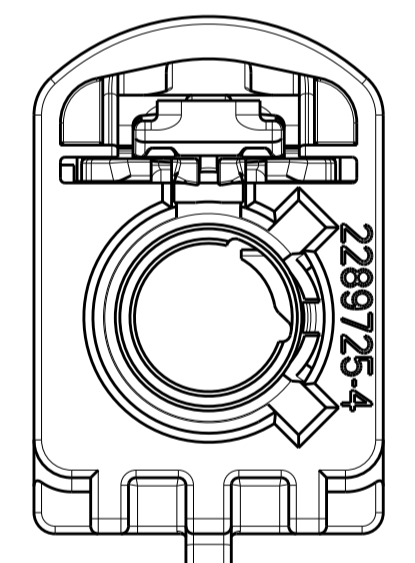
DETAIL A
SCALE 4:1



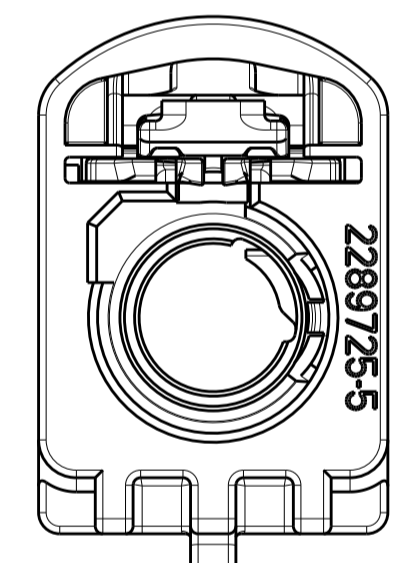
DETAIL B
SCALE 4:1



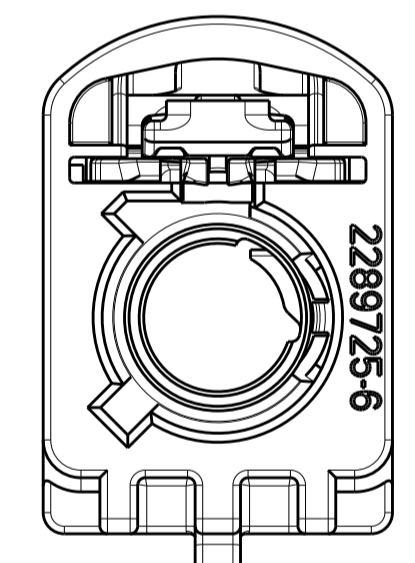
DETAIL C
SCALE 4:1



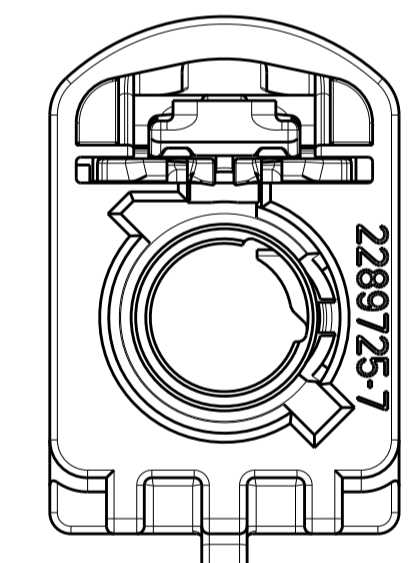
DETAIL D
SCALE 4:1



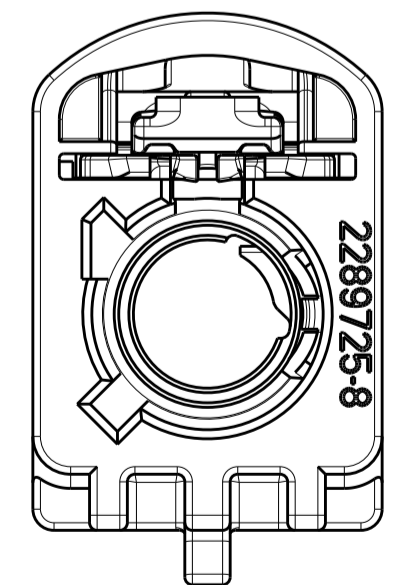
DETAIL E
SCALE 4:1



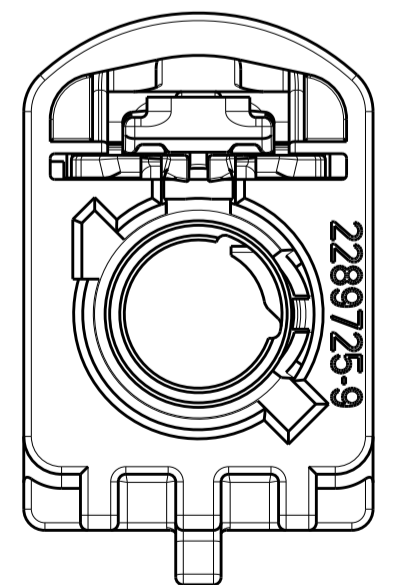
DETAIL F
SCALE 4:1



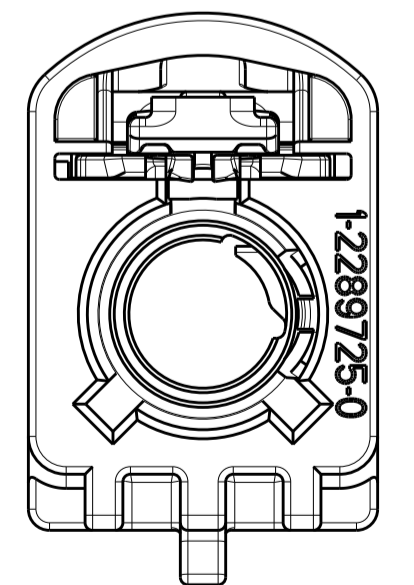
DETAIL G
SCALE 4:1



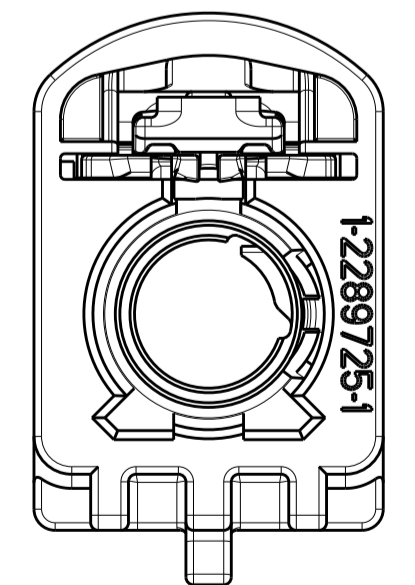
DETAIL H
SCALE 4:1



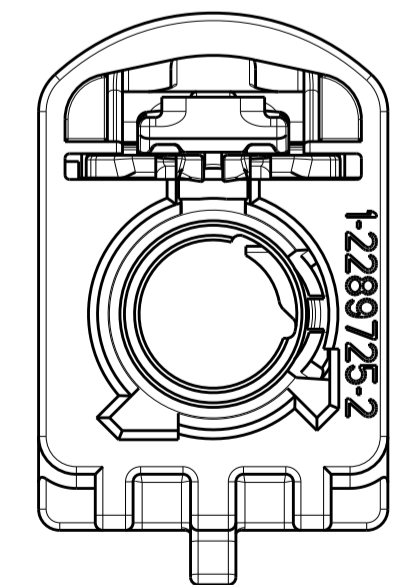
DETAIL I
SCALE 4:1



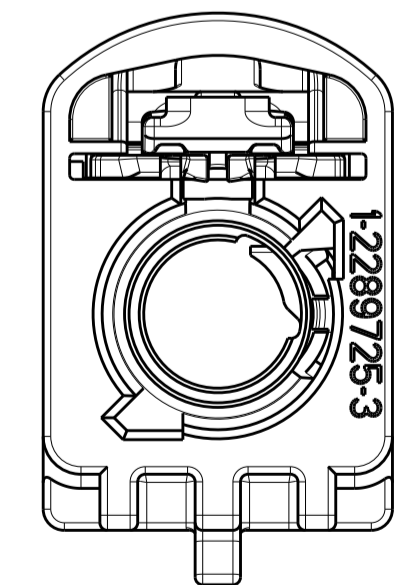
DETAIL K
SCALE 4:1



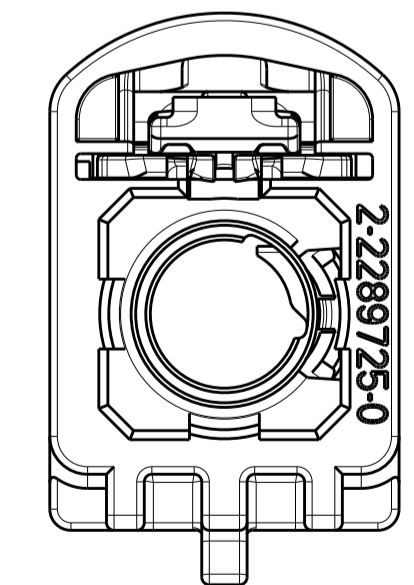
DETAIL L
SCALE 4:1



DETAIL M
SCALE 4:1



DETAIL N
SCALE 4:1



DETAIL Z
SCALE 4:1

THIS DRAWING IS A CONTROLLED DOCUMENT.		OWN: D. J. HARDY 14APR2015	
DIMENSIONS:		CHK: D. J. HARDY 14APR2015	
TOLERANCES UNLESS OTHERWISE SPECIFIED:		APVD: D. J. HARDY 14APR2015	
mm		PRODUCT SPEC	
0 PLC	±	108-32137	NAME: FEMALE KIT, CPA, CLIP SLOT, 1 POSITION, FAKRA AUTOMATED
1 PLC	±	APPLICATION SPEC	SIZE: A1
2 PLC	±	114-32145	CAGE CODE: -
3 PLC	±	RESTRICTED CUSTOMER	DRAWING NO: C=2289730
4 PLC	±		SCALE: 5:1
ANGLES	±		SHEET: 2 OF 2
FINISH	-		REV: A

X-ON Electronics

Largest Supplier of Electrical and Electronic Components

Click to view similar products for [Automotive Connectors](#) category:

Click to view products by [TE Connectivity](#) manufacturer:

Other Similar products are found below :

[003-018-000](#) [60403001](#) [60993906-B](#) [M902-2131](#) [M902-2161](#) [72.330.1035.1](#) [73.353.4028.0](#) [F119300-B](#) [F166900](#) [F258300-B](#) [F358300-B](#)
[F407400](#) [F444110](#) [F487000](#) [F509500B-B](#) [827153-1](#) [8N1515-32-24P](#) [9-1326729-8](#) [925474-1](#) [928905-1](#) [964562-4](#) [968782-1](#) [GT17SA-8DS-](#)
[HU](#) [98891-1012](#) [98947-1016](#) [12004147](#) [12004475-L](#) [12010290](#) [12010309-B](#) [12015454](#) [12020219-B](#) [12020308](#) [12041318-B](#) [12052225-L](#)
[12052466](#) [12059125](#) [12064869](#) [12004327-B](#) [12010503-B](#) [12015308](#) [12015384](#) [12015909](#) [1-21030-1](#) [12041254](#) [12041318](#) [12047946-B](#)
[12047957](#) [12047957-L](#) [12059473](#) [12066261](#)