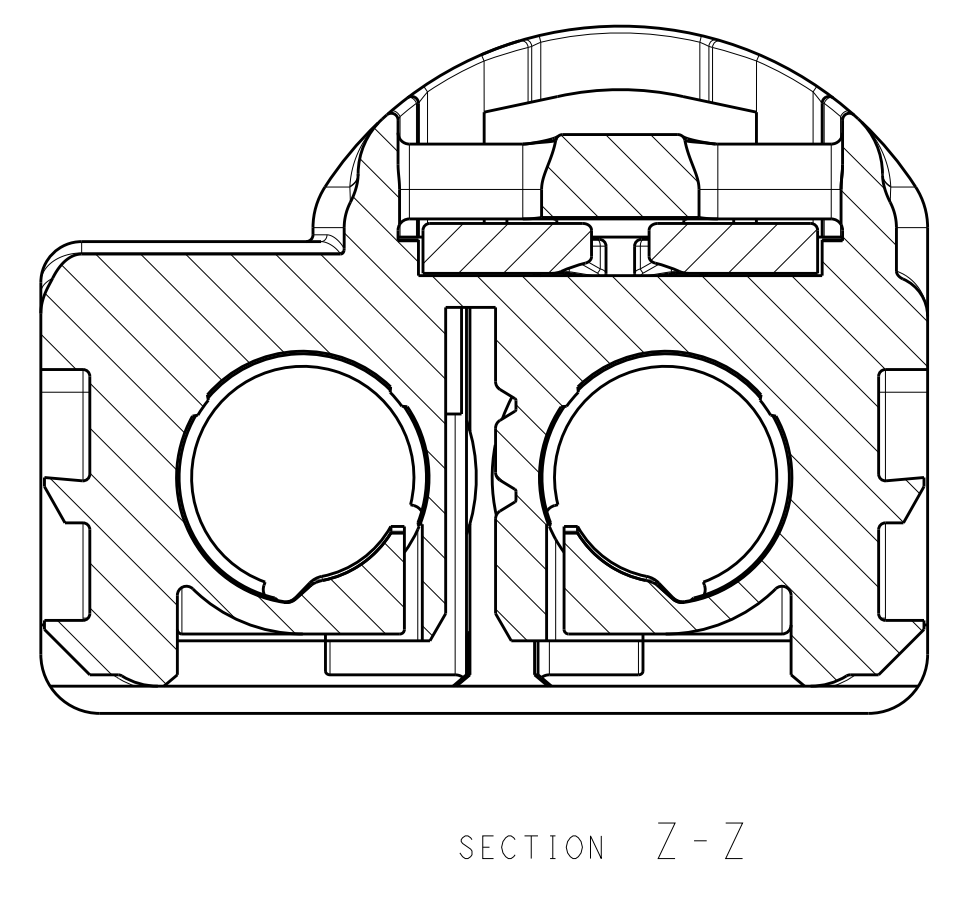
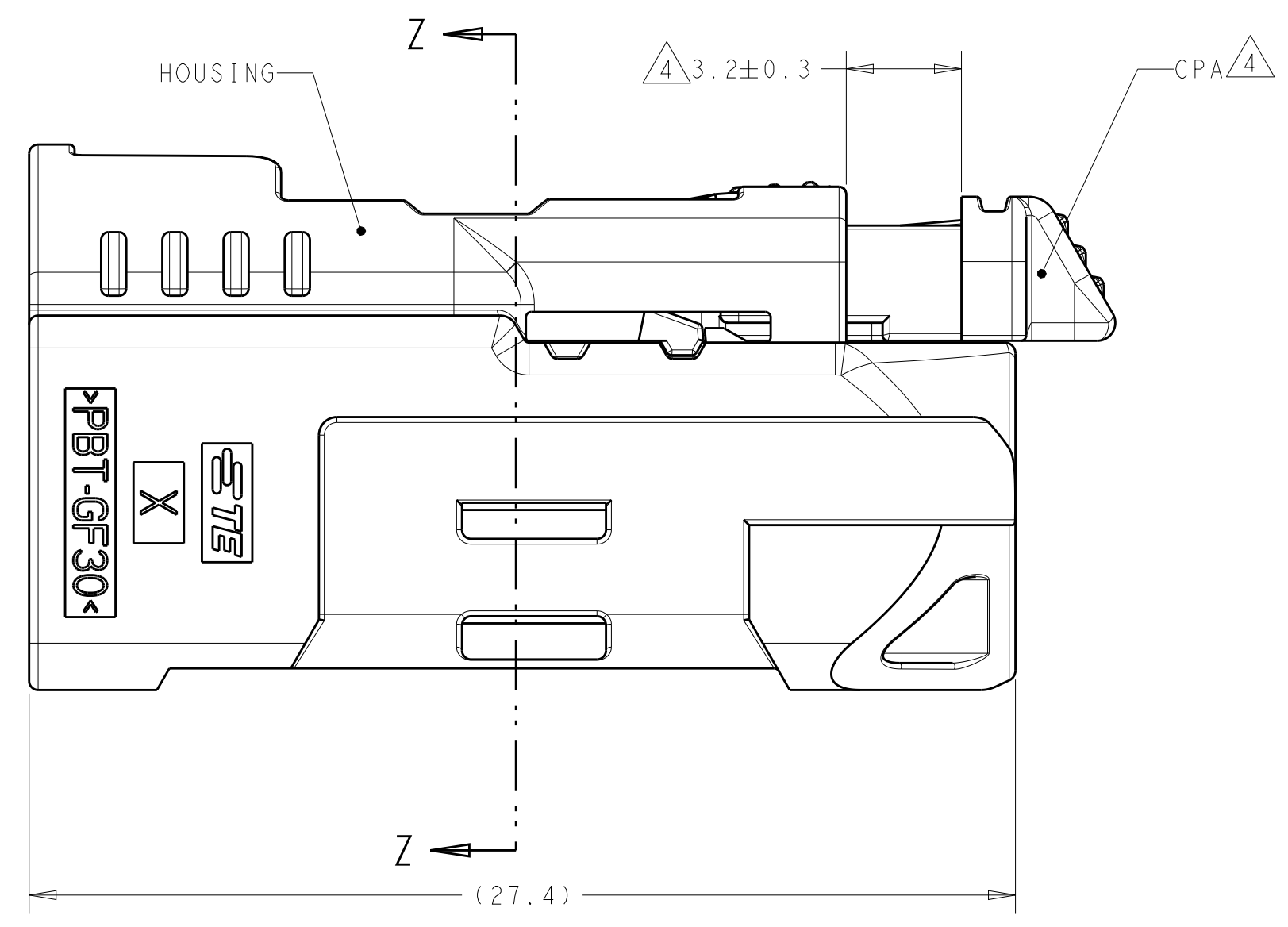
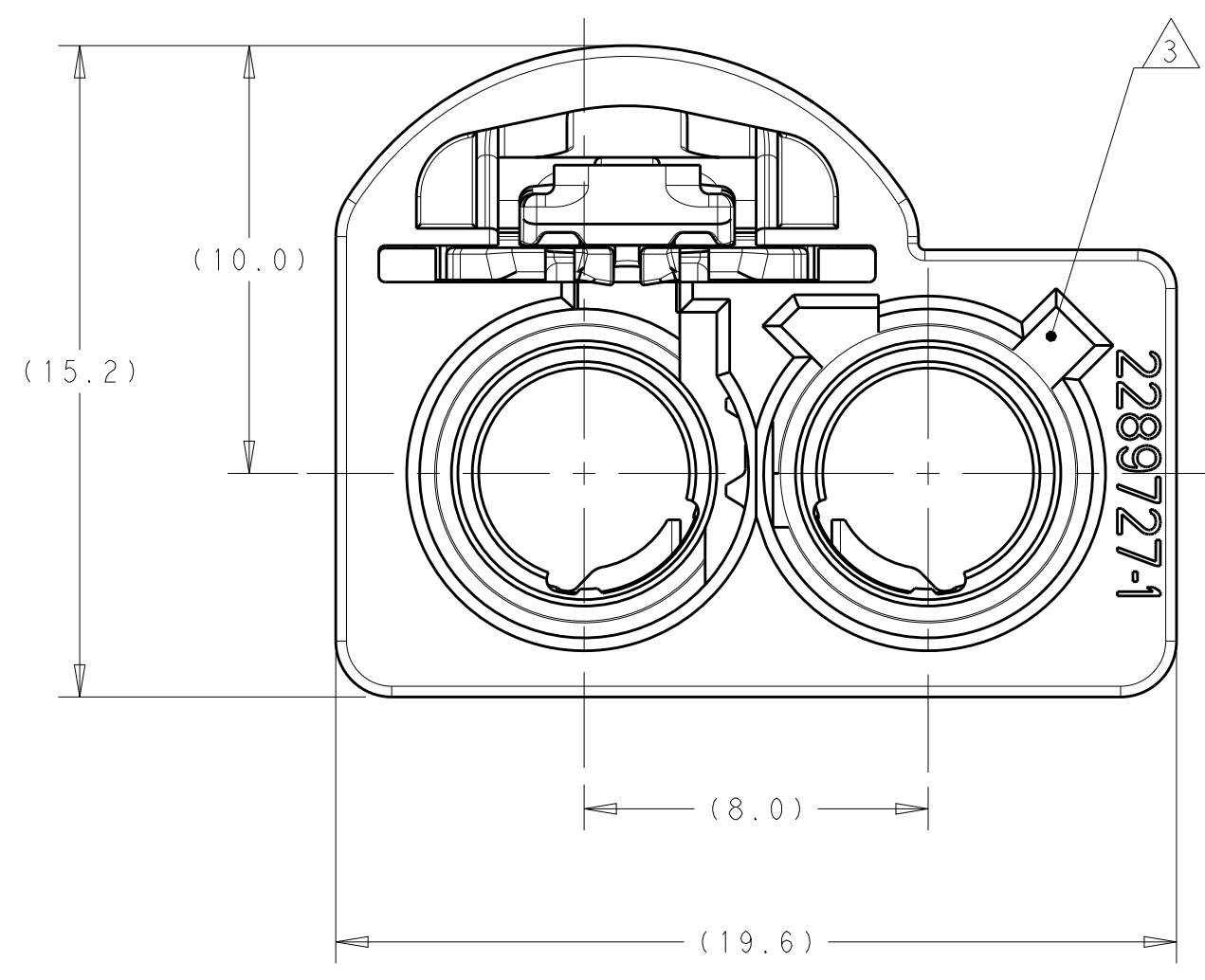
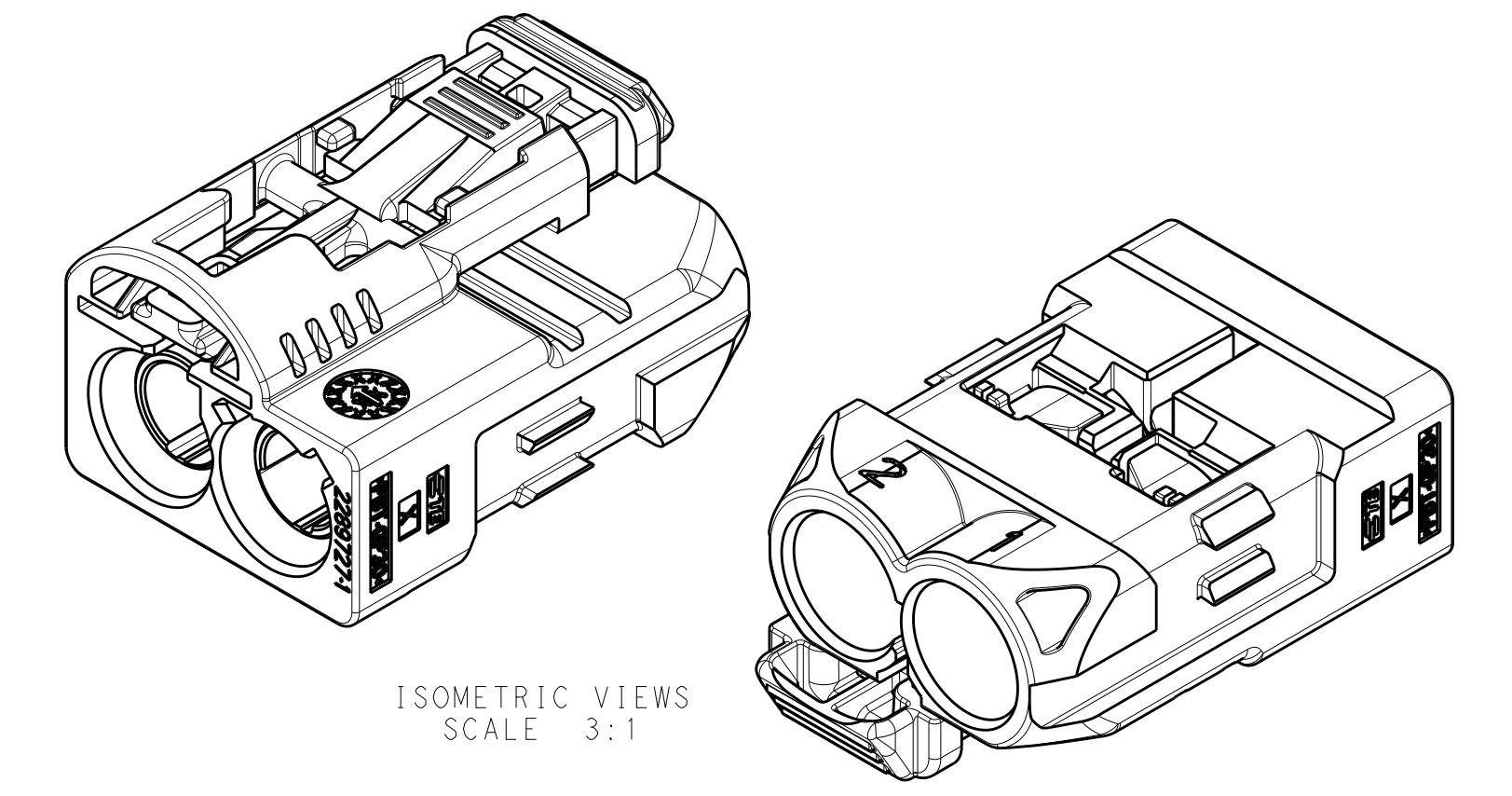
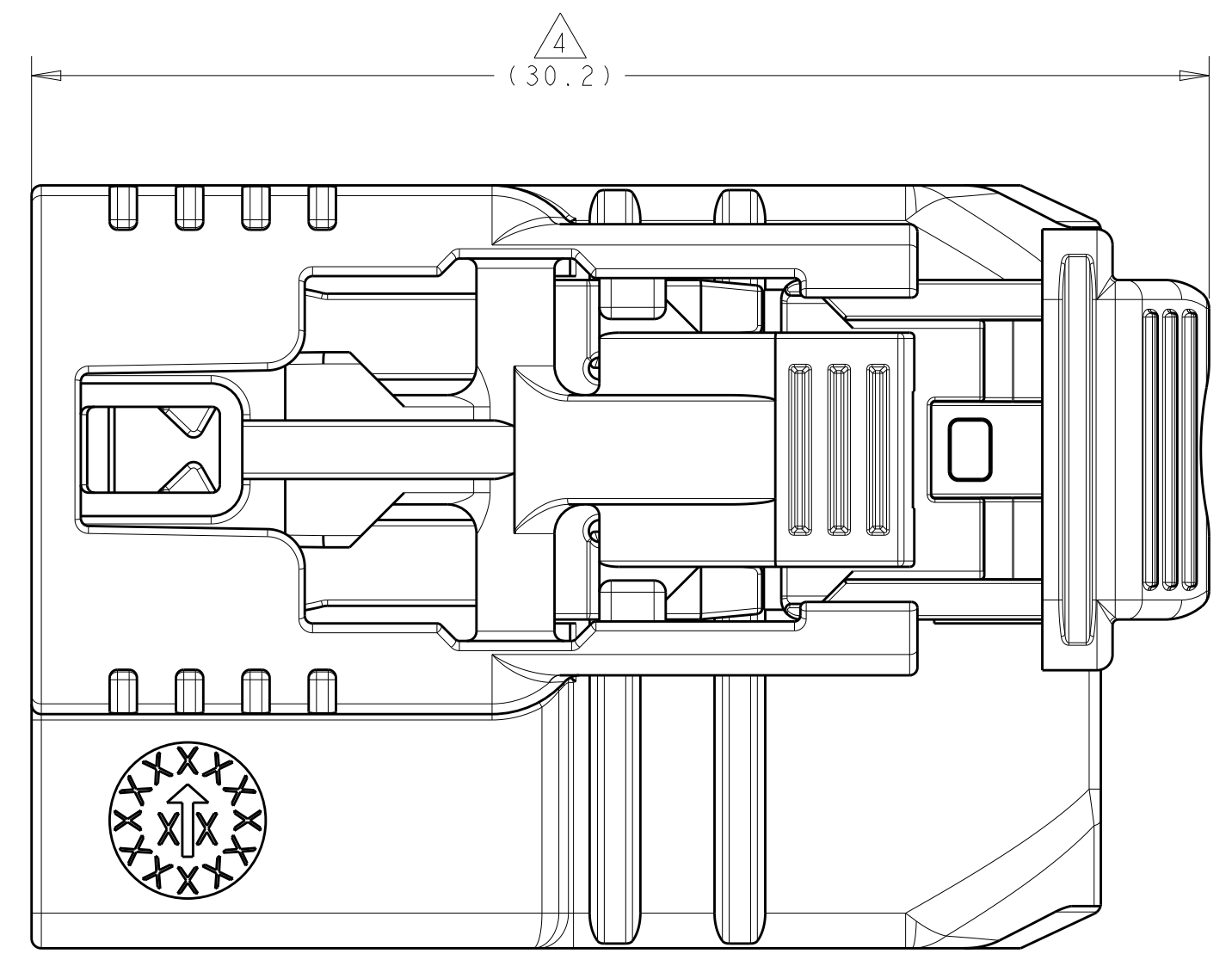
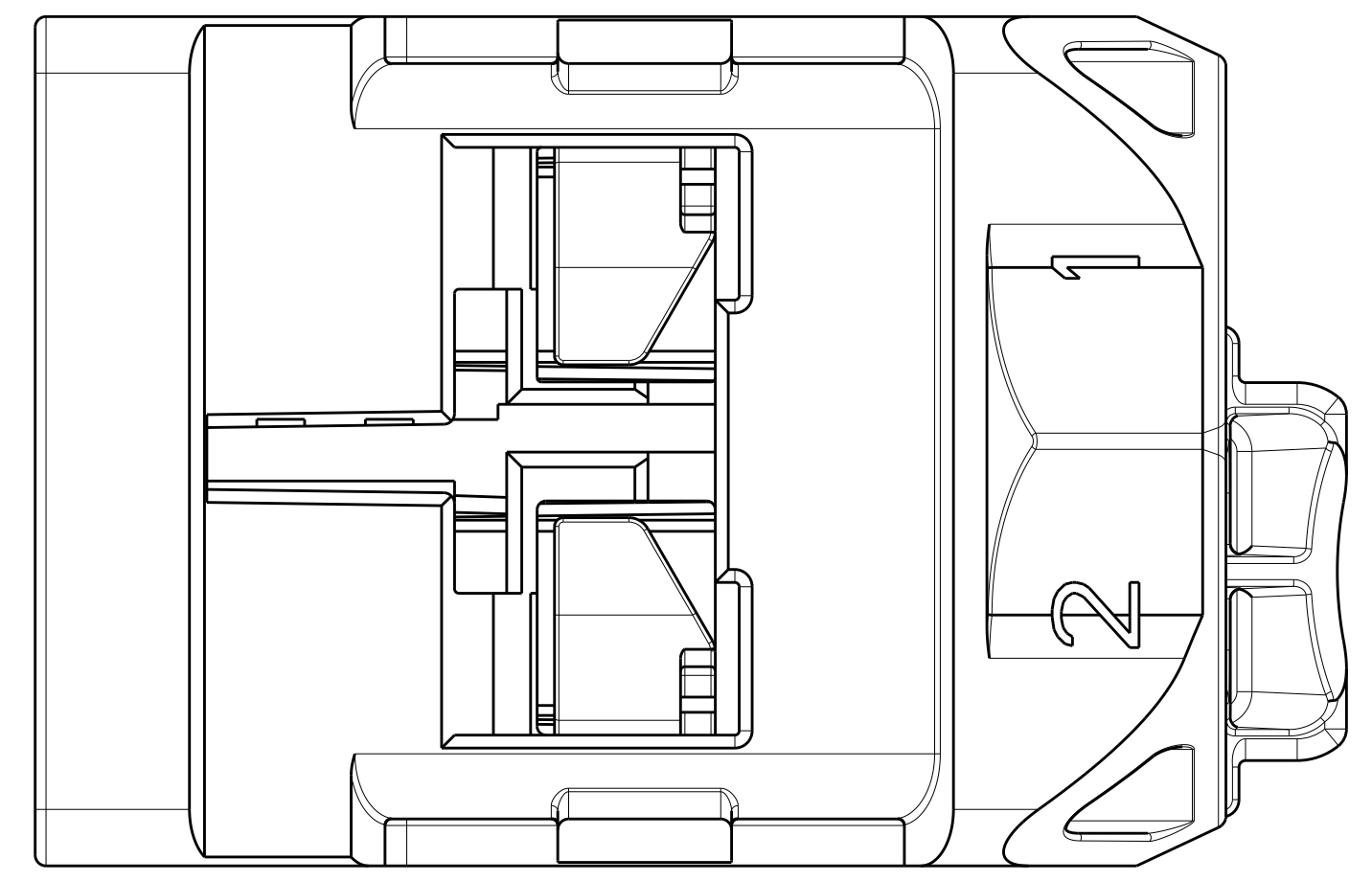


REVISIONS				
P.	LTN	DESCRIPTION	DATE	OWN - APVD
A		RELEASED PER ECO-19-002122	11FEB2019	NLE JWH
B		REVISED PER ECO-19-017845	03DEC2019	JAB NE



2289731-1 AS SHOWN



OBSOLETE	-	-	-	-	4-2289731-0
OBSOLETE	-	-	-	-	3-2289731-3
OBSOLETE	-	-	-	-	3-2289731-2
OBSOLETE	-	-	-	-	3-2289731-1
OBSOLETE	-	-	-	-	3-2289731-0
OBSOLETE	-	-	-	-	2-2289731-9
OBSOLETE	-	-	-	-	2-2289731-8
OBSOLETE	-	-	-	-	2-2289731-7
OBSOLETE	-	-	-	-	2-2289731-6
OBSOLETE	-	-	-	-	2-2289731-5
OBSOLETE	-	-	-	-	2-2289731-4
OBSOLETE	-	-	-	-	2-2289731-3
OBSOLETE	-	-	-	-	2-2289731-2
OBSOLETE	-	-	-	-	2-2289731-1

Z	PER DETAIL Z	WATER BLUE	2-2289731-0
N	PER DETAIL N	PASTEL GREEN	1-2289731-3
M	PER DETAIL M	PASTEL ORANGE	1-2289731-2
L	PER DETAIL L	CARMINE RED	1-2289731-1
K	PER DETAIL K	CURRY	1-2289731-0
I	PER DETAIL I	BEIGE	2289731-9
H	PER DETAIL H	HEATHER VIOLET	2289731-8
G	PER DETAIL G	BLUE GREY	2289731-7
F	PER DETAIL F	NUT BROWN	2289731-6
E	PER DETAIL E	LEAF GREEN	2289731-5
D	PER DETAIL D	CLARET VIOLET	2289731-4
C	PER DETAIL C	SIGNAL BLUE	2289731-3
B	PER DETAIL B	CREAM	2289731-2
A	PER DETAIL A	JET BLACK	2289731-1

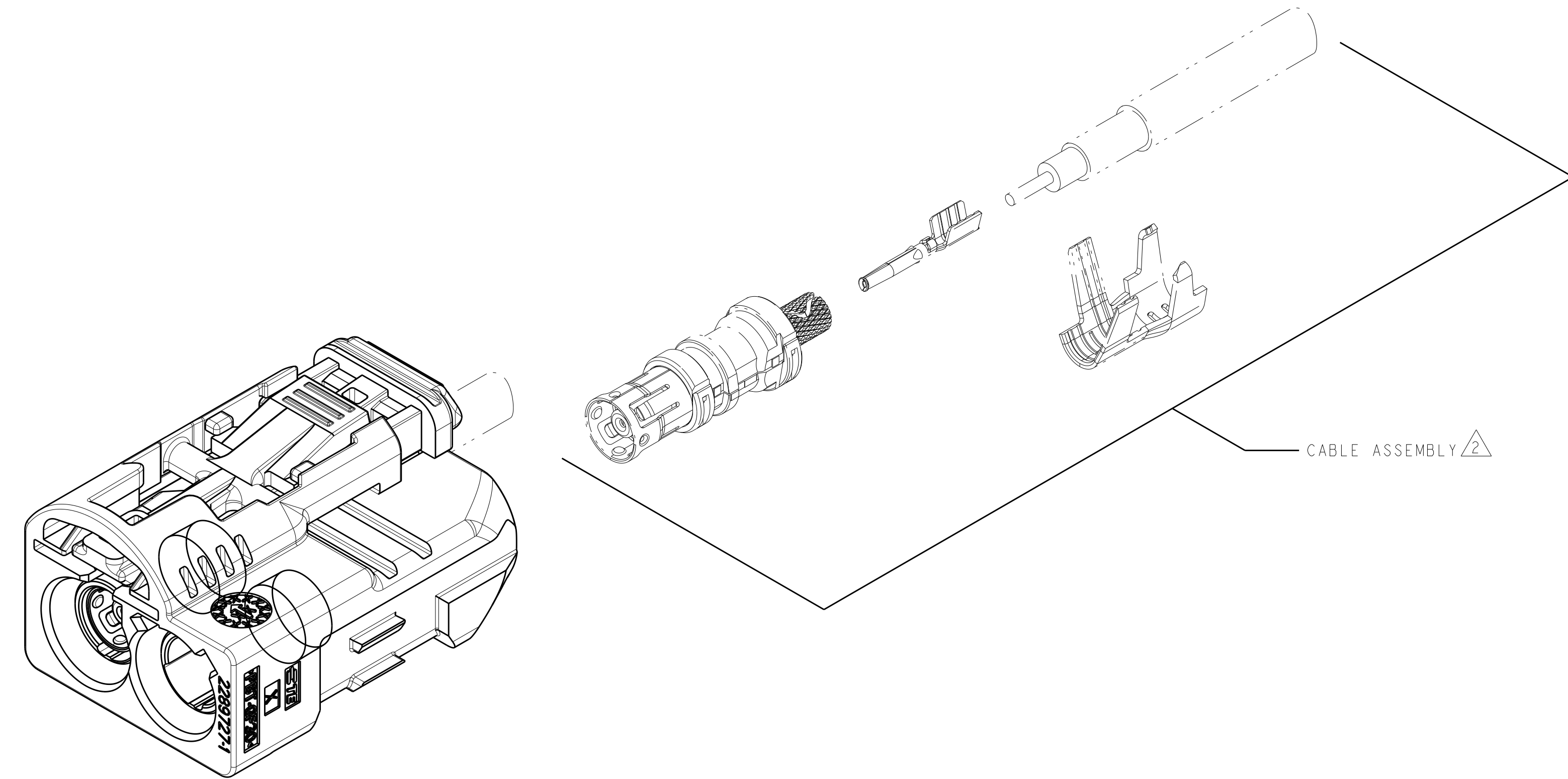
- 1 HOUSING - POLYESTER PBT, COLOR: SEE TABLE, GLASS FILLED  
CPA - POLYESTER PBT, COLOR TRAFFIC RED, GLASS FILLED
- 2 CABLE ASSEMBLY: SEE TABLE.
- 3 FEMALE INTERFACE PER ISO-20860-1, ISO-20860-2, SAE/USCAR-17, SAE/USCAR-18.
- 4 CPA IN PRESET POSITION.

2203275 (SOLD SEPARATELY) SEE SHEET 2

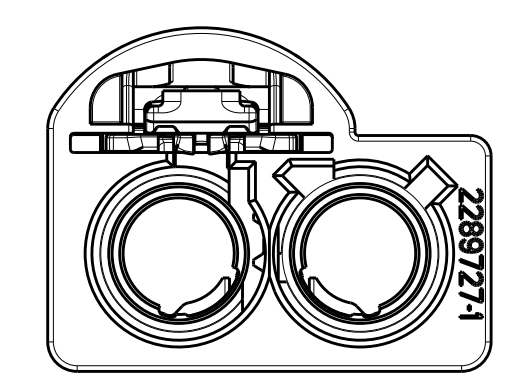
CABLE ASSEMBLY QTY=2

THIS DRAWING IS A CONTROLLED DOCUMENT.		OWN: D. J. HARDY 14APR2015	
DIMENSIONS: mm		CHK: D. J. LANE 14APR2015	
TOLERANCES UNLESS OTHERWISE SPECIFIED:		APVD: D. J. LANE 14APR2015	
0 PLC ±		PRODUCT SPEC	
1 PLC ±		108-32137	NAME: FEMALE KIT, CPA, 2 POSITION, FAKRA AUTOMATED
2 PLC ±		APPLICATION SPEC	SIZE: A1
3 PLC ±		114-32145	SCALE: 6:1
4 PLC ±		WEIGHT	SHEET 1 OF 2
ANGLES ±		RESTRICTED CUSTOMER	REV B
FINISH			

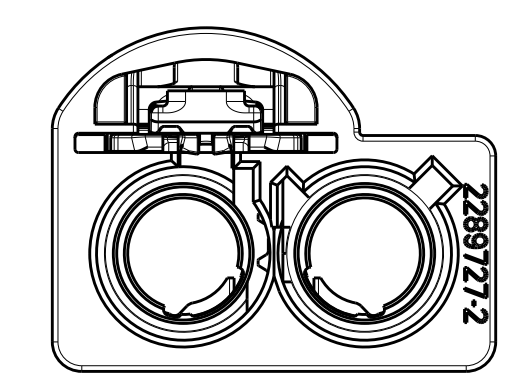
REVISIONS				
P.	LTN	DESCRIPTION	DATE	APVD
-	-	SEE SHEET 1	-	-



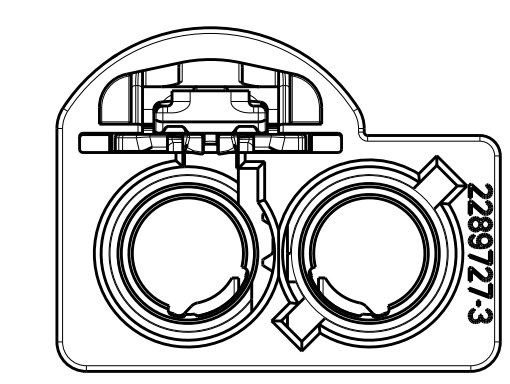
2289731-1 AS SHOWN  
 SCALE 4:1



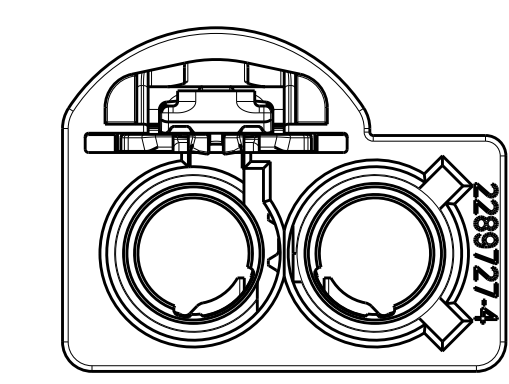
DETAIL A  
 SCALE 3:1



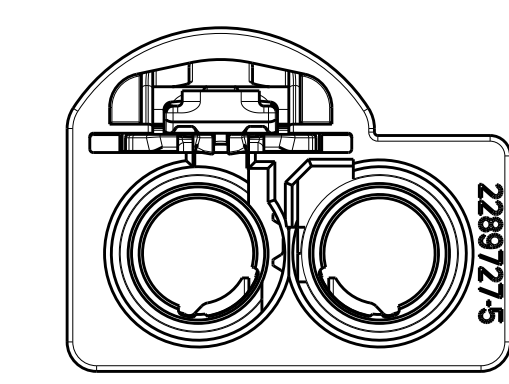
DETAIL B  
 SCALE 3:1



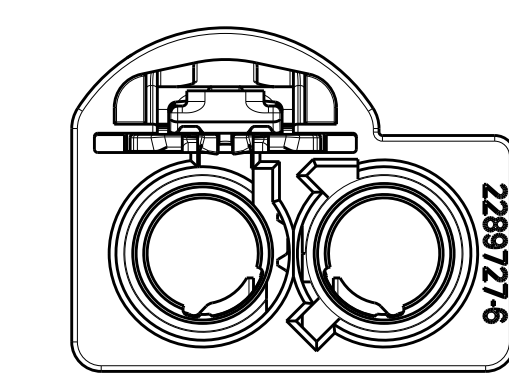
DETAIL C  
 SCALE 3:1



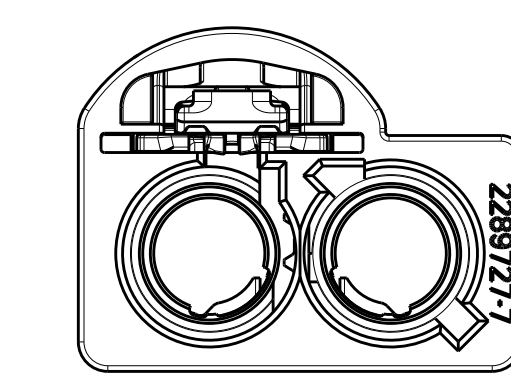
DETAIL D  
 SCALE 3:1



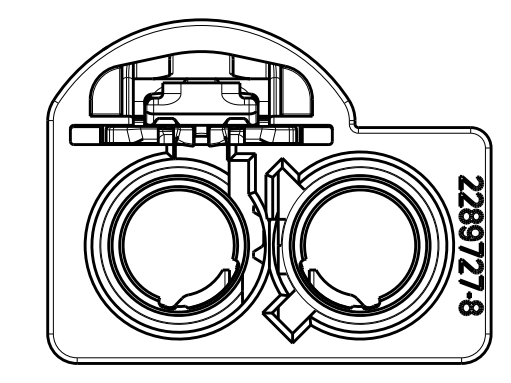
DETAIL E  
 SCALE 3:1



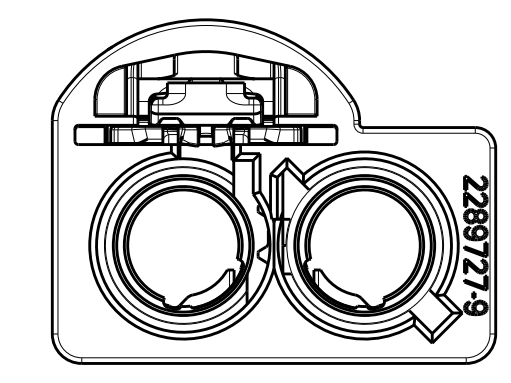
DETAIL F  
 SCALE 3:1



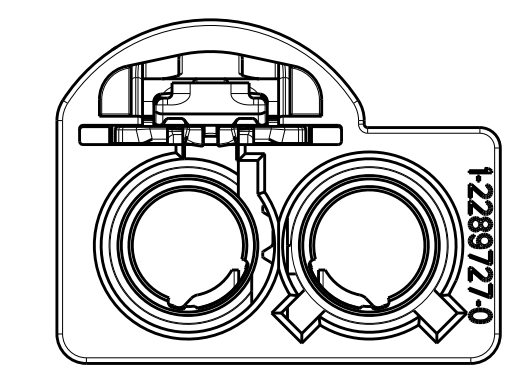
DETAIL G  
 SCALE 3:1



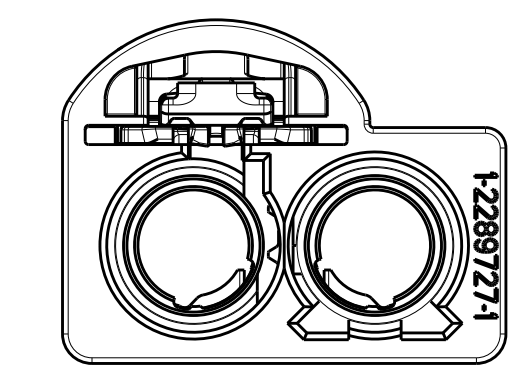
DETAIL H  
 SCALE 3:1



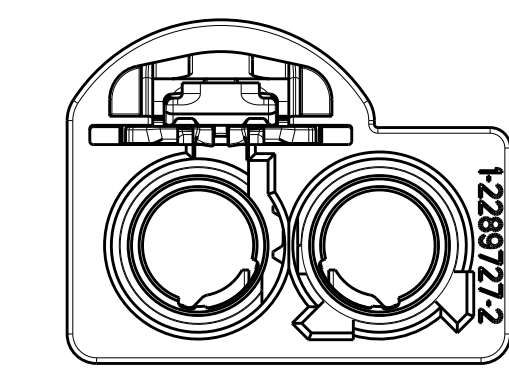
DETAIL I  
 SCALE 3:1



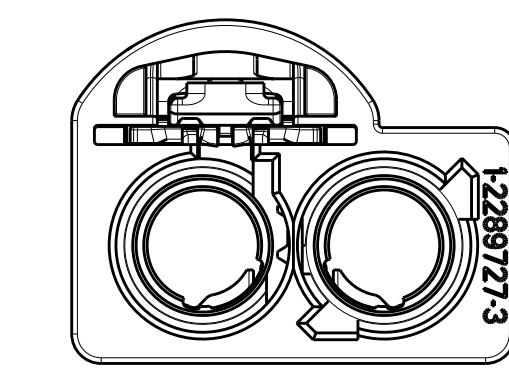
DETAIL K  
 SCALE 3:1



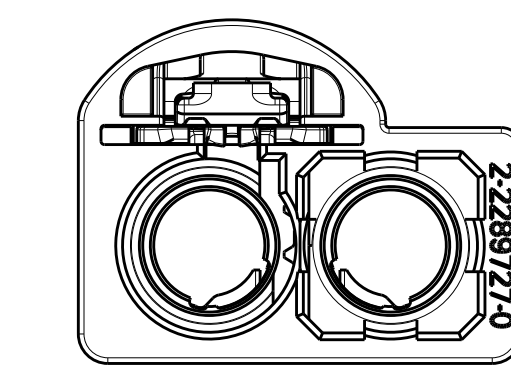
DETAIL L  
 SCALE 3:1



DETAIL M  
 SCALE 3:1



DETAIL N  
 SCALE 3:1



DETAIL Z  
 SCALE 3:1

THIS DRAWING IS A CONTROLLED DOCUMENT.		OWN: D. J. HARDY 14APR2015	
DIMENSIONS:		CHK: D. J. LANE 14APR2015	
TOLERANCES UNLESS OTHERWISE SPECIFIED:		APVD: D. J. LANE 14APR2015	
mm		PRODUCT SPEC	
0 PLC	±	108-32137	NAME: FEMALE KIT, CPA, 2 POSITION, FAKRA AUTOMATED
1 PLC	±	APPLICATION SPEC	SIZE: A1
2 PLC	±	114-32145	CAGE CODE: -
3 PLC	±	RESTRICTED CUSTOMER	DRAWING NO: C=2289731
4 PLC	±		SCALE: 6:1
ANGLES	±		SHEET: 2 OF 2
FINISH	-		REV: B

## X-ON Electronics

Largest Supplier of Electrical and Electronic Components

*Click to view similar products for [Automotive Connectors](#) category:*

*Click to view products by [TE Connectivity](#) manufacturer:*

Other Similar products are found below :

[003-018-000](#) [60403001](#) [60993906-B](#) [M902-2131](#) [M902-2161](#) [72.330.1035.1](#) [73.353.4028.0](#) [F119300-B](#) [F166900](#) [F258300-B](#) [F358300-B](#)  
[F407400](#) [F444110](#) [F487000](#) [F509500B-B](#) [827153-1](#) [8N1515-32-24P](#) [9-1326729-8](#) [925474-1](#) [928905-1](#) [964562-4](#) [968782-1](#) [GT17SA-8DS-](#)  
[HU](#) [98891-1012](#) [98947-1016](#) [12004147](#) [12004475-L](#) [12010290](#) [12010309-B](#) [12015454](#) [12020219-B](#) [12020308](#) [12041318-B](#) [12052225-L](#)  
[12052466](#) [12059125](#) [12064869](#) [12004327-B](#) [12010503-B](#) [12015308](#) [12015384](#) [12015909](#) [1-21030-1](#) [12041254](#) [12041318](#) [12047946-B](#)  
[12047957](#) [12047957-L](#) [12059473](#) [12066261](#)