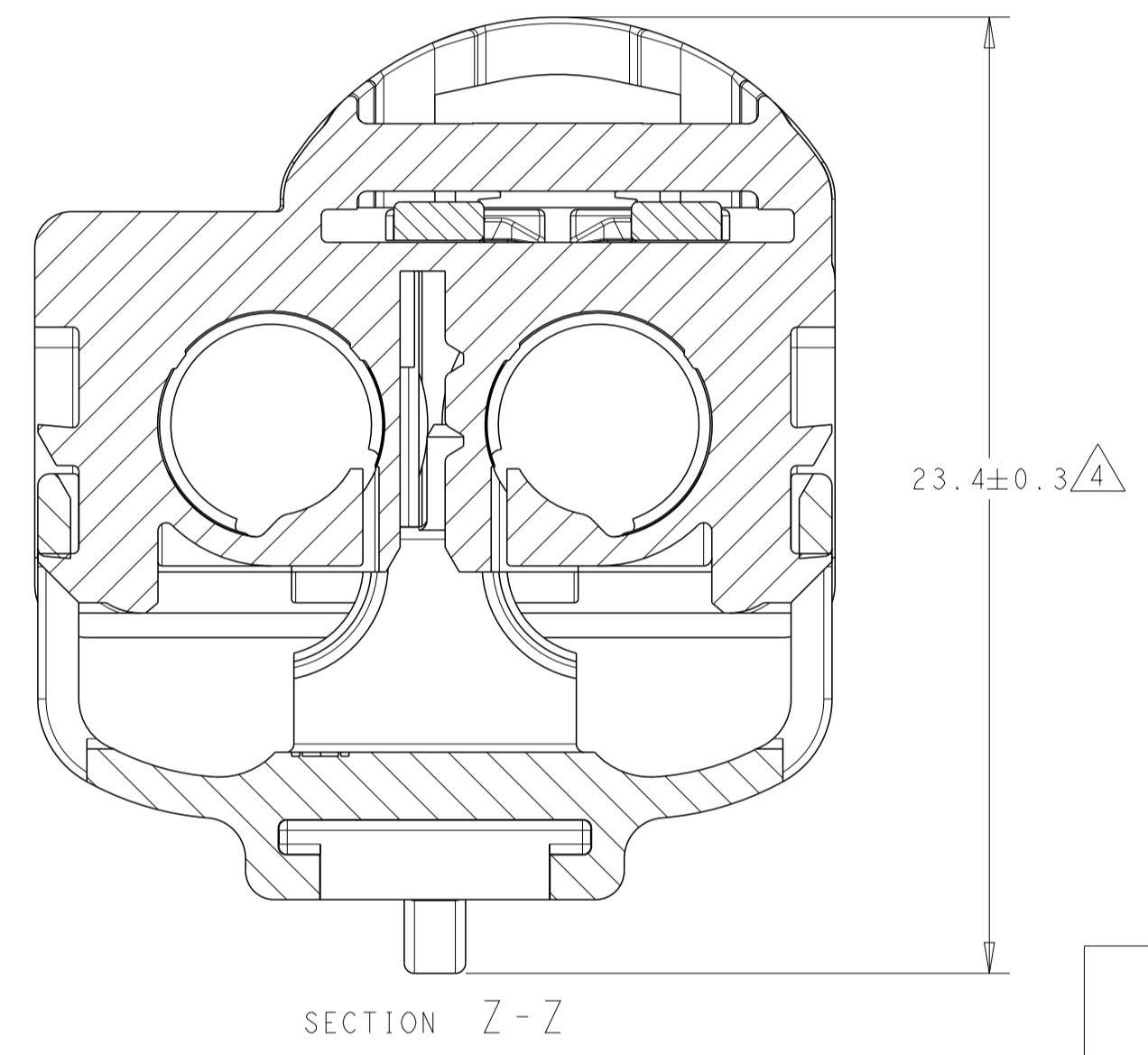
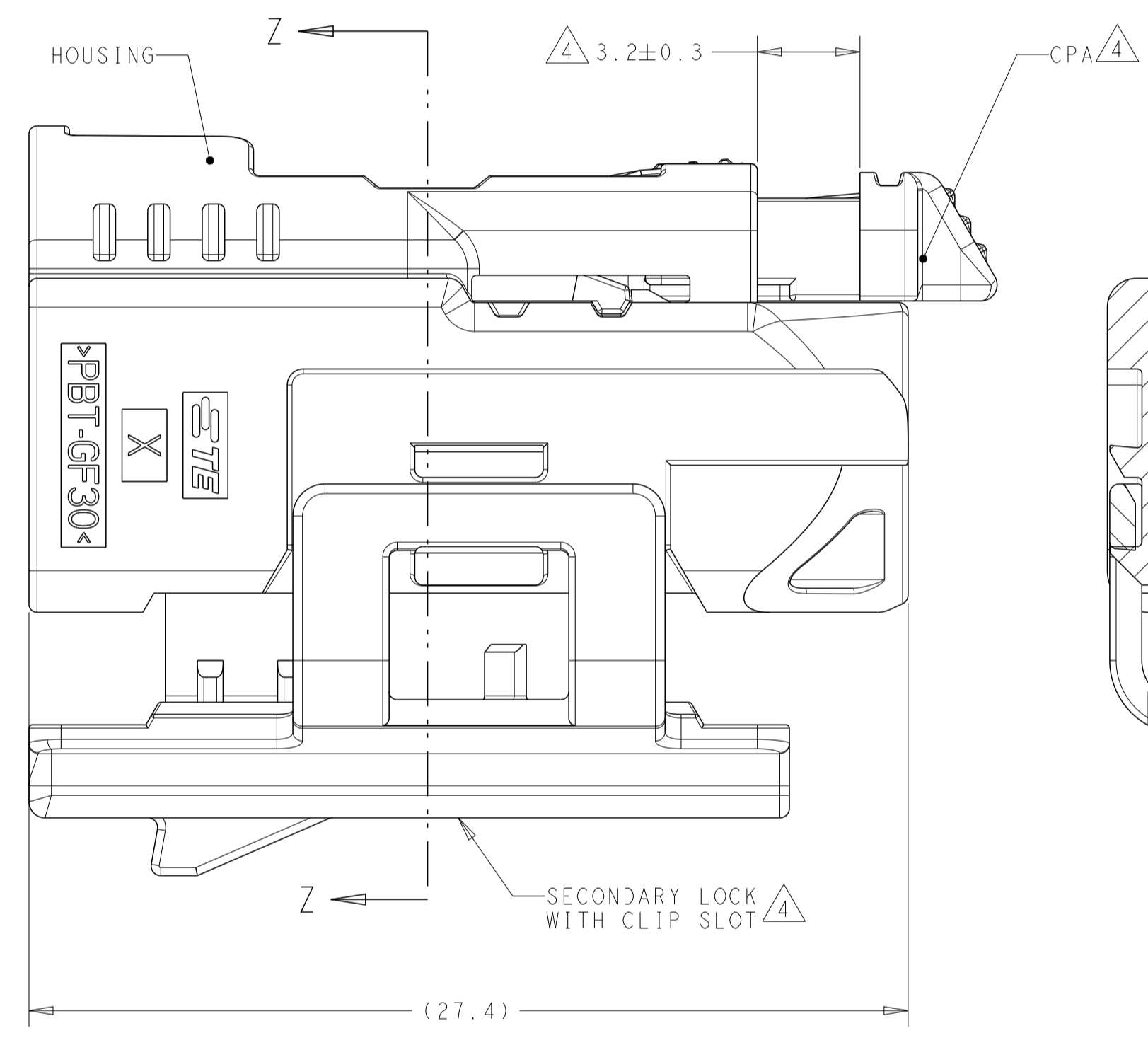
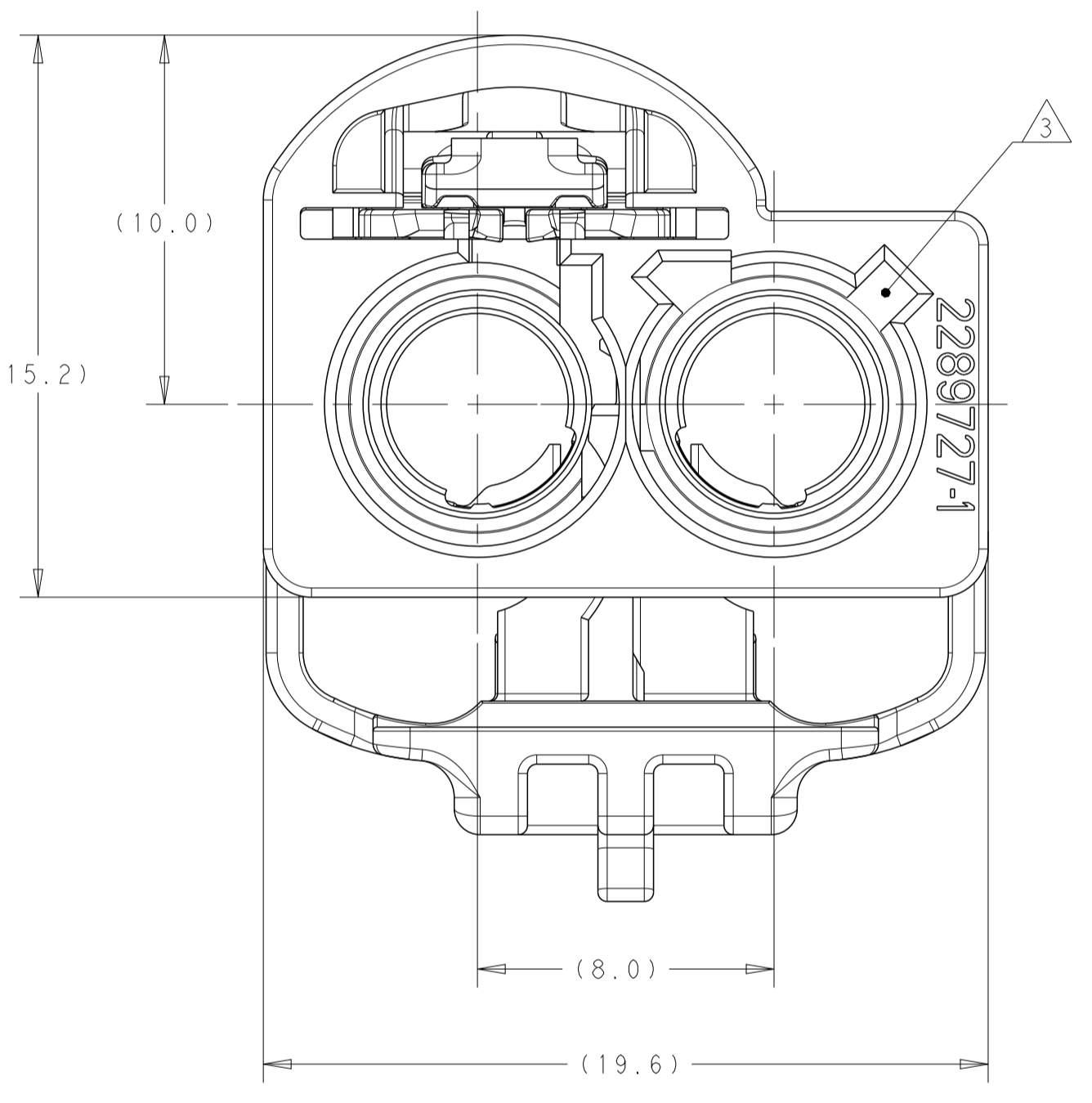
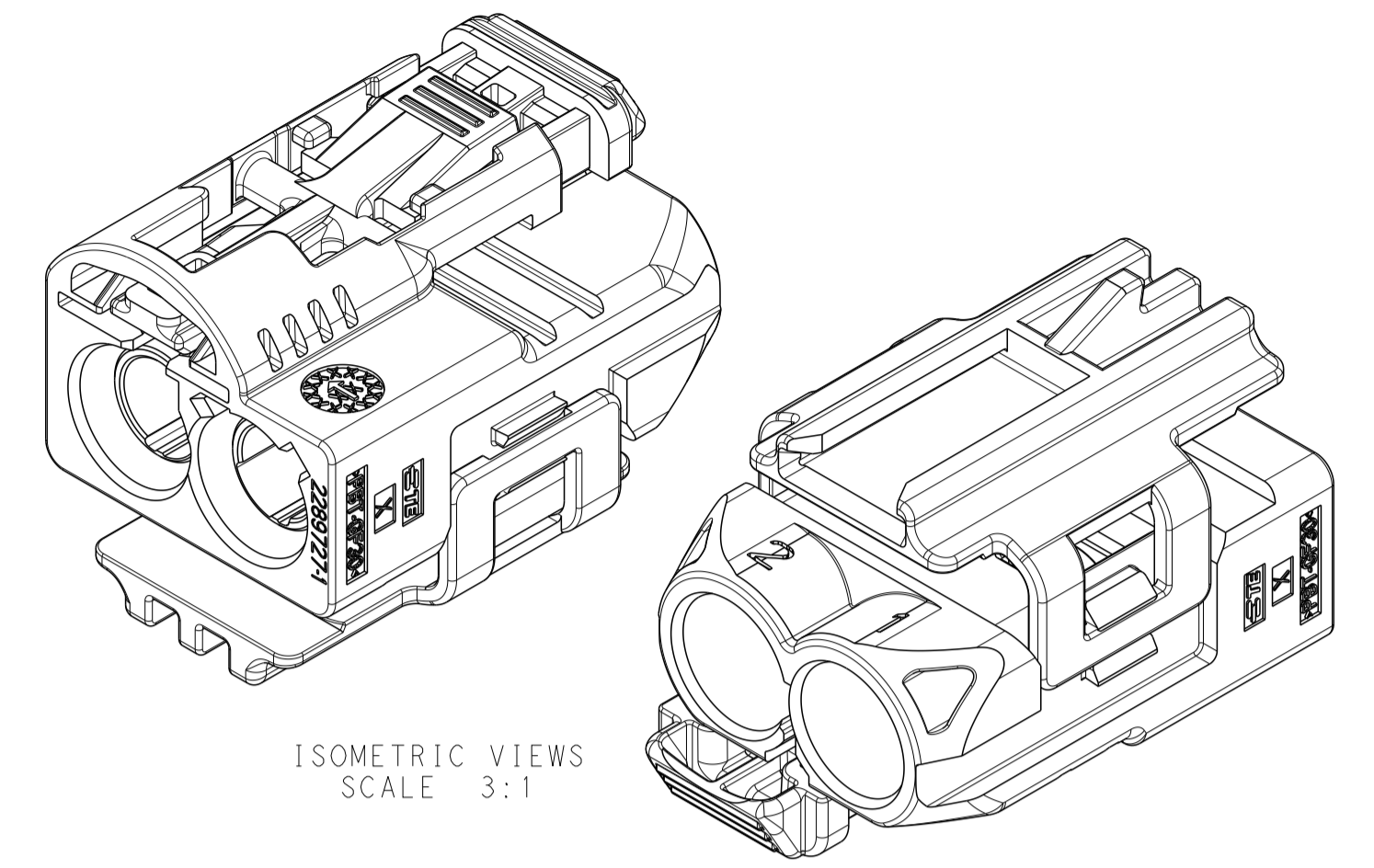
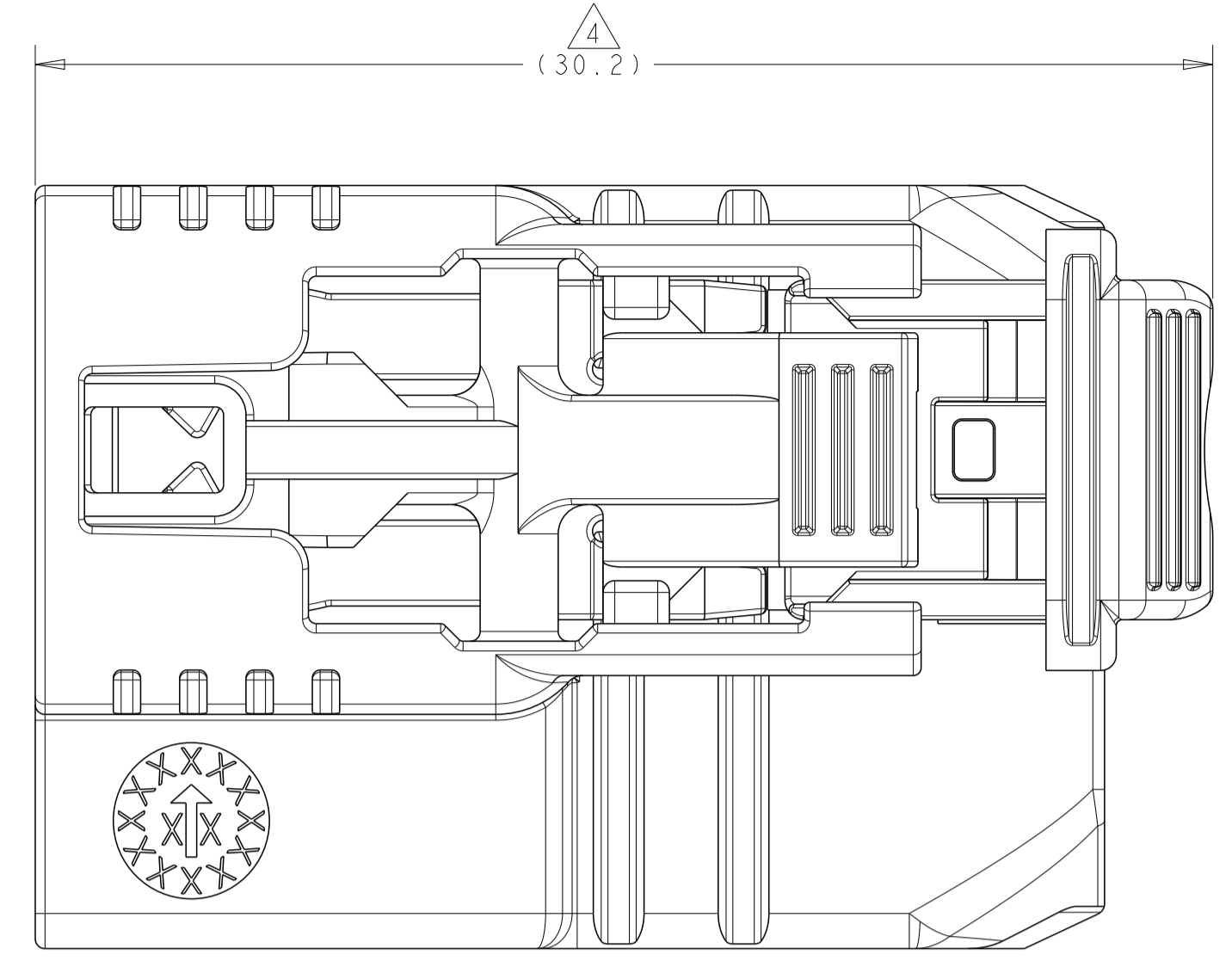
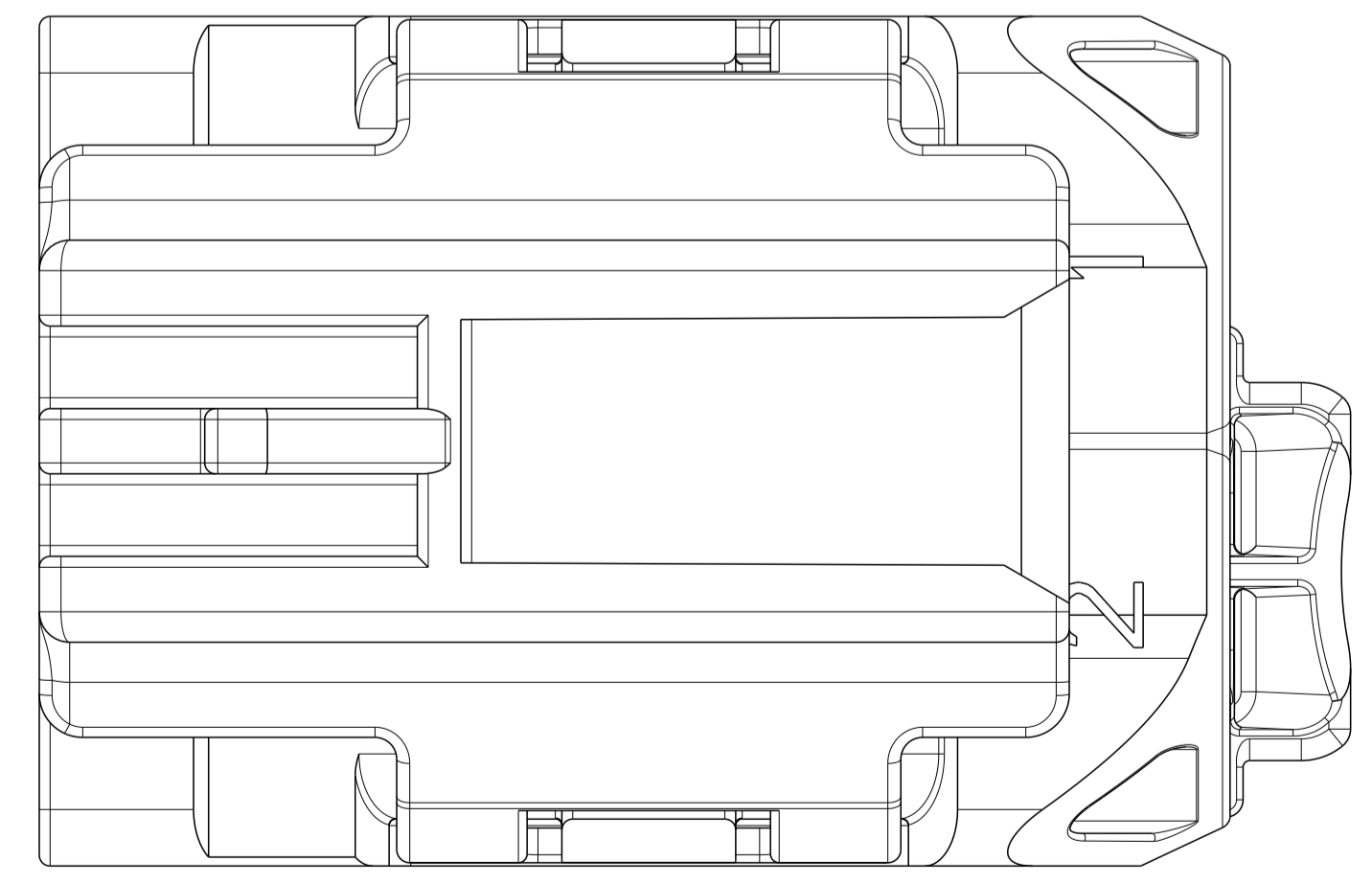


REVISIONS				
P	LTR	DESCRIPTION	DATE	OWN - APVD
A		RELEASED PER ECO-19-002122	11FEB2019	NLE JWH



2289732-1 AS SHOWN



WITHOUT CPA	WITH CPA	Z	PER DETAIL Z	WATER BLUE	4-2289732-0
		N	PER DETAIL N	PASTEL GREEN	3-2289732-3
		M	PER DETAIL M	PASTEL ORANGE	3-2289732-2
		L	PER DETAIL L	CARMINE RED	3-2289732-1
		K	PER DETAIL K	CURRY	3-2289732-0
		I	PER DETAIL I	BEIGE	2-2289732-9
		H	PER DETAIL H	HEATHER VIOLET	2-2289732-8
		G	PER DETAIL G	BLUE GREY	2-2289732-7
		F	PER DETAIL F	NUT BROWN	2-2289732-6
		E	PER DETAIL E	LEAF GREEN	2-2289732-5
		D	PER DETAIL D	CLARET VIOLET	2-2289732-4
		C	PER DETAIL C	SIGNAL BLUE	2-2289732-3
		B	PER DETAIL B	CREAM	2-2289732-2
		A	PER DETAIL A	JET BLACK	2-2289732-1
		Z	PER DETAIL Z	WATER BLUE	2-2289732-0
		N	PER DETAIL N	PASTEL GREEN	1-2289732-3
		M	PER DETAIL M	PASTEL ORANGE	1-2289732-2
		L	PER DETAIL L	CARMINE RED	1-2289732-1
		K	PER DETAIL K	CURRY	1-2289732-0
		I	PER DETAIL I	BEIGE	2289732-9
		H	PER DETAIL H	HEATHER VIOLET	2289732-8
		G	PER DETAIL G	BLUE GREY	2289732-7
		F	PER DETAIL F	NUT BROWN	2289732-6
		E	PER DETAIL E	LEAF GREEN	2289732-5
		D	PER DETAIL D	CLARET VIOLET	2289732-4
		C	PER DETAIL C	SIGNAL BLUE	2289732-3
		B	PER DETAIL B	CREAM	2289732-2
		A	PER DETAIL A	JET BLACK	2289732-1

- 1 HOUSING - POLYESTER PBT, COLOR: SEE TABLE, GLASS FILLED  
 CPA - POLYESTER PBT, COLOR TRAFFIC RED, GLASS FILLED  
 SECONDARY LOCK - POLYESTER PBT, WATER BLUE, GLASS FILLED
- 2 CABLE ASSEMBLY: SEE TABLE.
- 3 FEMALE INTERFACE PER ISO-20860-1, ISO-20860-2, SAE/USCAR-17, SAE/USCAR-18.
- 4 SECONDARY LOCK AND CPA IN PRESET POSITION. IF SECONDARY LOCK IS IN FULLY LOCKED POSITION, SEE 408-162008 FOR INSTRUCTIONS TO RESET SECONDARY LOCK TO PRESET POSITION.

THIS DRAWING IS A CONTROLLED DOCUMENT.

OWN: D. J. HARDY 14APR2015  
 CHK: D. J. LANE 14APR2015  
 APVD: D. J. LANE 14APR2015

TE Connectivity

NAME: FEMALE KIT, CPA, CLIP SLOT, 2 POSITION, FAKRA AUTOMATED

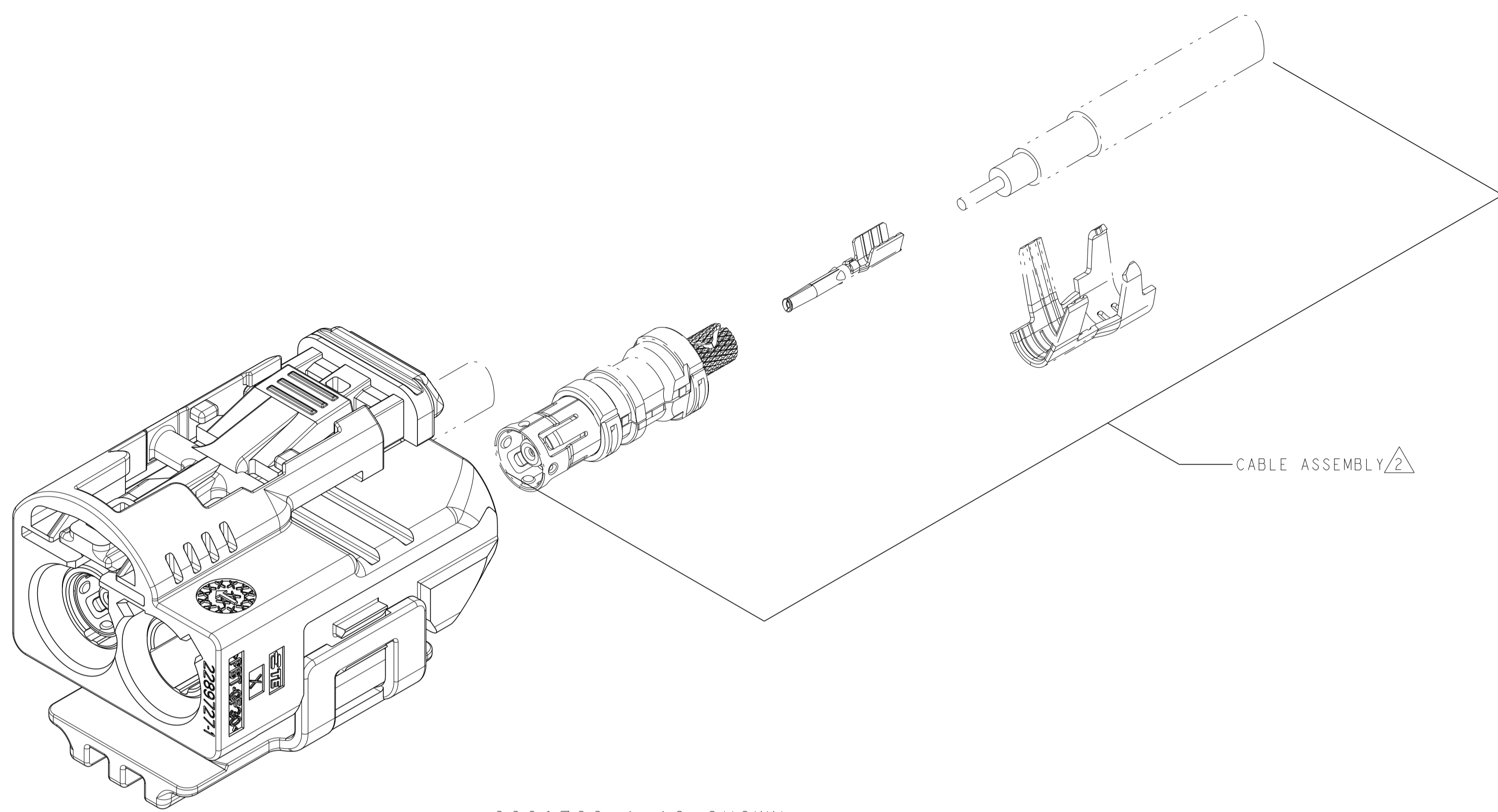
PRODUCT SPEC: 108-32137  
 APPLICATION SPEC: 114-32145

SIZE: A1 CAGE CODE: - DRAWING NO: C=2289732

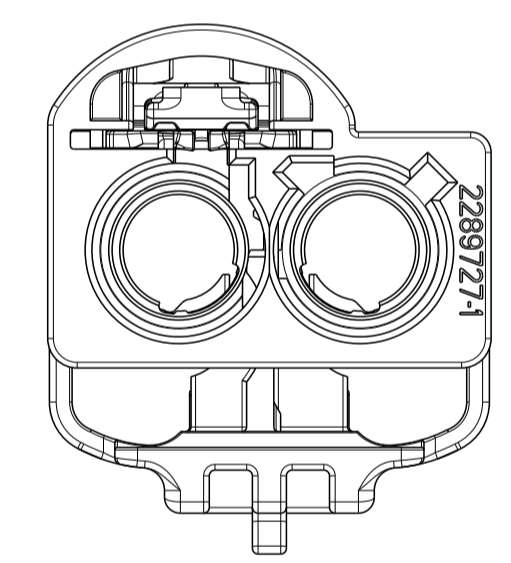
RESTRICTED TO: -

CUSTOMER DRAWING SCALE: 6:1 SHEET 1 OF 2 REV A

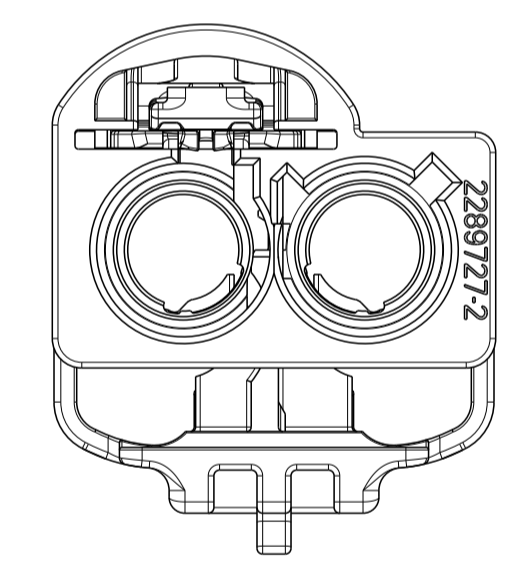
REVISIONS				
P.	LTN	DESCRIPTION	DATE	APVD
-		SEE SHEET 1	-	-



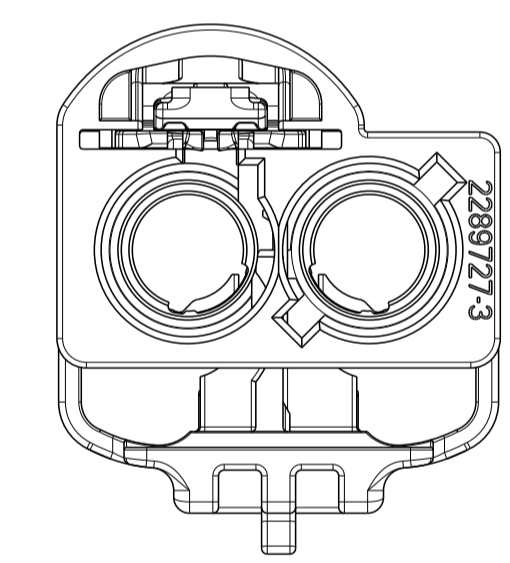
2289732-1 AS SHOWN  
 SCALE 4:1



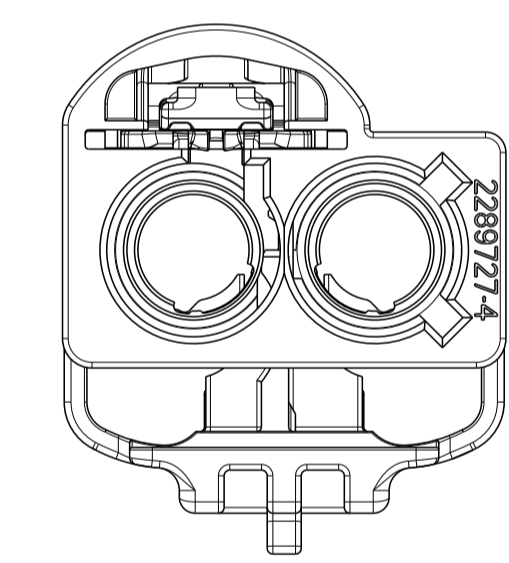
DETAIL A  
 SCALE 3:1



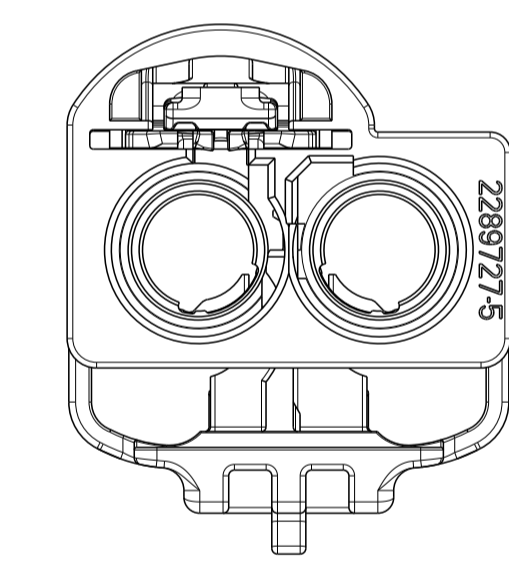
DETAIL B  
 SCALE 3:1



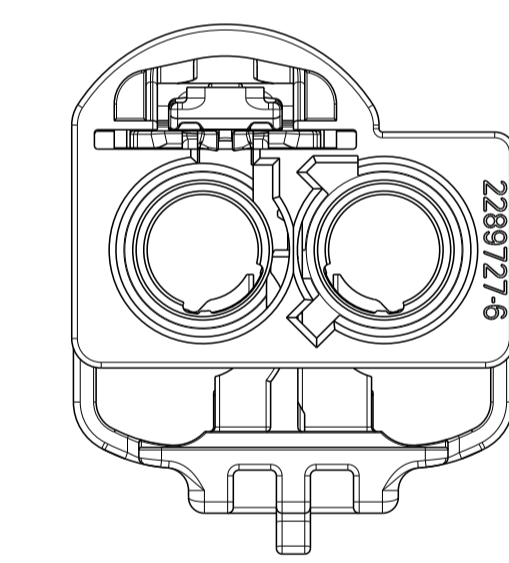
DETAIL C  
 SCALE 3:1



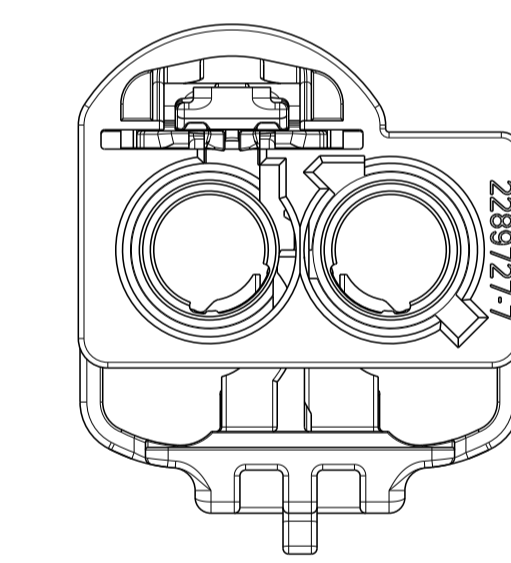
DETAIL D  
 SCALE 3:1



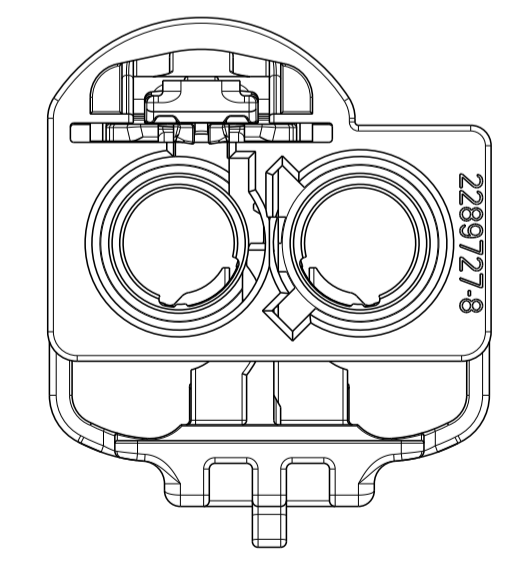
DETAIL E  
 SCALE 3:1



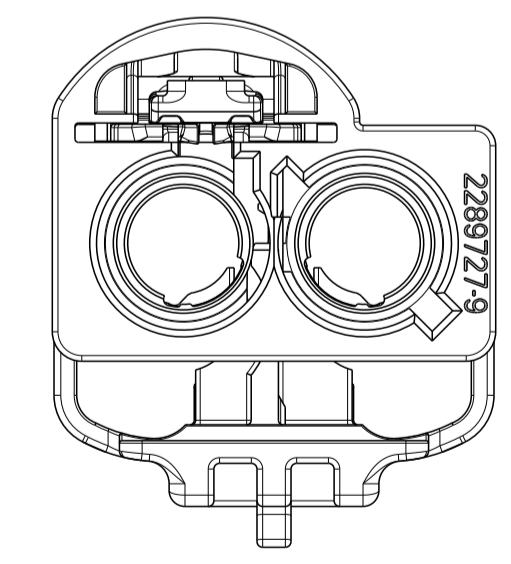
DETAIL F  
 SCALE 3:1



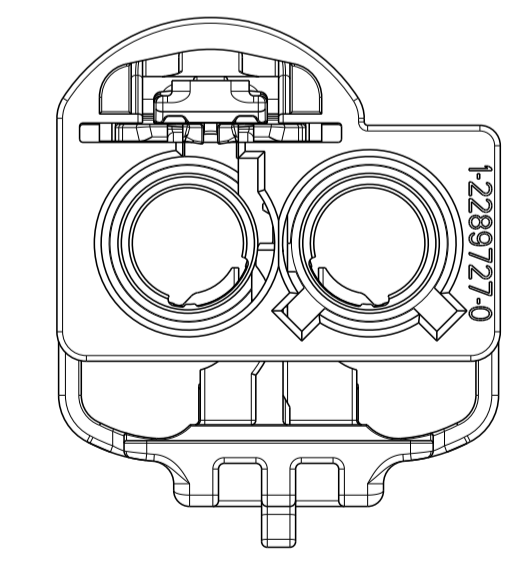
DETAIL G  
 SCALE 3:1



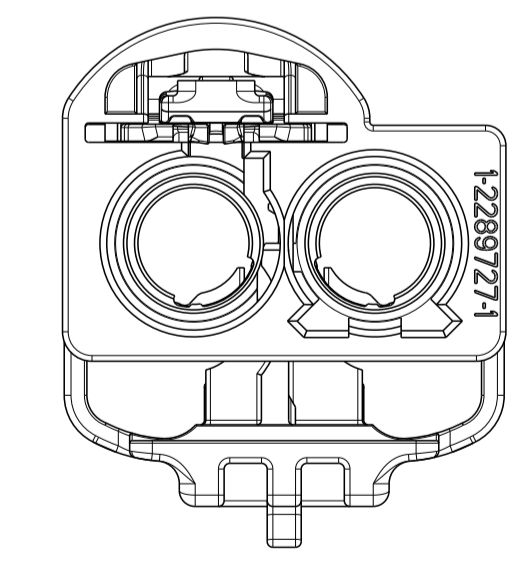
DETAIL H  
 SCALE 3:1



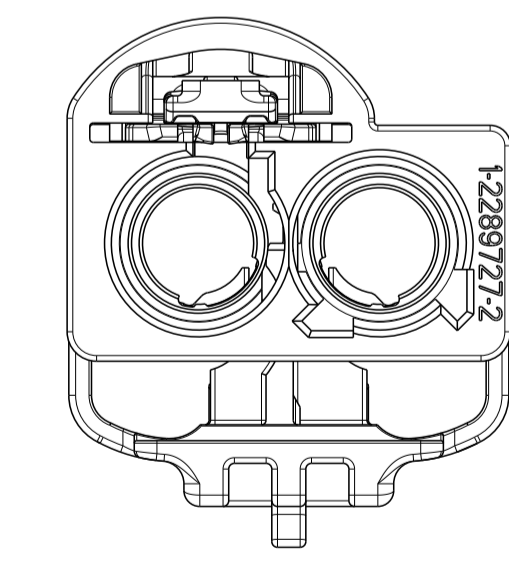
DETAIL I  
 SCALE 3:1



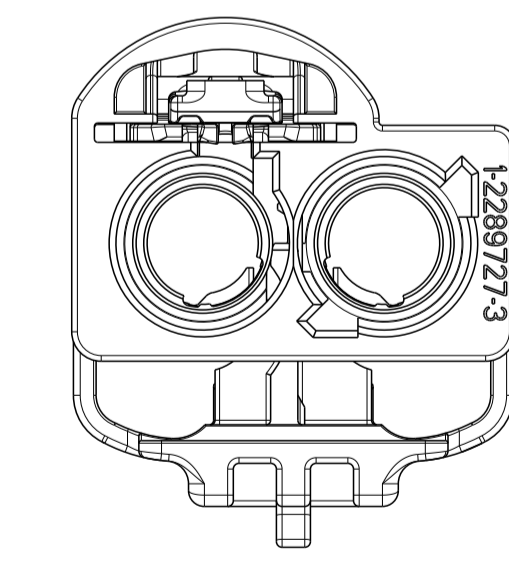
DETAIL K  
 SCALE 3:1



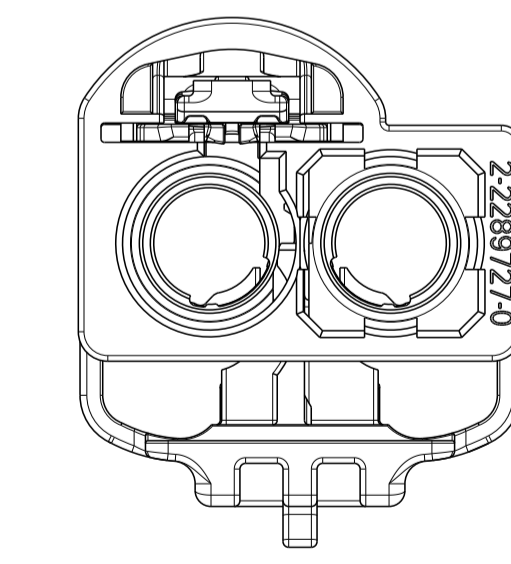
DETAIL L  
 SCALE 3:1



DETAIL M  
 SCALE 3:1



DETAIL N  
 SCALE 3:1



DETAIL Z  
 SCALE 3:1

THIS DRAWING IS A CONTROLLED DOCUMENT.		OWN D. J. HARDY 14APR2015	
DIMENSIONS:		CHK D. J. LANE 14APR2015	
mm	TOLERANCES UNLESS OTHERWISE SPECIFIED:	APVD D. J. LANE 14APR2015	NAME FEMALE KIT, CPA, CLIP SLOT, 2 POSITION, FAKRA AUTOMATED
0 PLC ±	1 PLC ±	PRODUCT SPEC	SIZE A1
2 PLC ±	3 PLC ±	108-32137	CAGE CODE -
4 PLC ±	ANGLES ±	APPLICATION SPEC	DRAWING NO C=2289732
MATERIAL	FINISH	114-32145	RESTRICTED TO -
		WEIGHT	SHEET 2 OF 2
		CUSTOMER DRAWING	REV A

## X-ON Electronics

Largest Supplier of Electrical and Electronic Components

*Click to view similar products for [Automotive Connectors](#) category:*

*Click to view products by [TE Connectivity](#) manufacturer:*

Other Similar products are found below :

[003-018-000](#) [60403001](#) [60993906-B](#) [M902-2131](#) [M902-2161](#) [72.330.1035.1](#) [73.353.4028.0](#) [F119300-B](#) [F166900](#) [F258300-B](#) [F358300-B](#)  
[F407400](#) [F444110](#) [F487000](#) [F509500B-B](#) [827153-1](#) [8N1515-32-24P](#) [9-1326729-8](#) [925474-1](#) [928905-1](#) [964562-4](#) [968782-1](#) [GT17SA-8DS-](#)  
[HU](#) [98891-1012](#) [98947-1016](#) [12004147](#) [12004475-L](#) [12010290](#) [12010309-B](#) [12015454](#) [12020219-B](#) [12020308](#) [12041318-B](#) [12052225-L](#)  
[12052466](#) [12059125](#) [12064869](#) [12004327-B](#) [12010503-B](#) [12015308](#) [12015384](#) [12015909](#) [1-21030-1](#) [12041254](#) [12041318](#) [12047946-B](#)  
[12047957](#) [12047957-L](#) [12059473](#) [12066261](#)