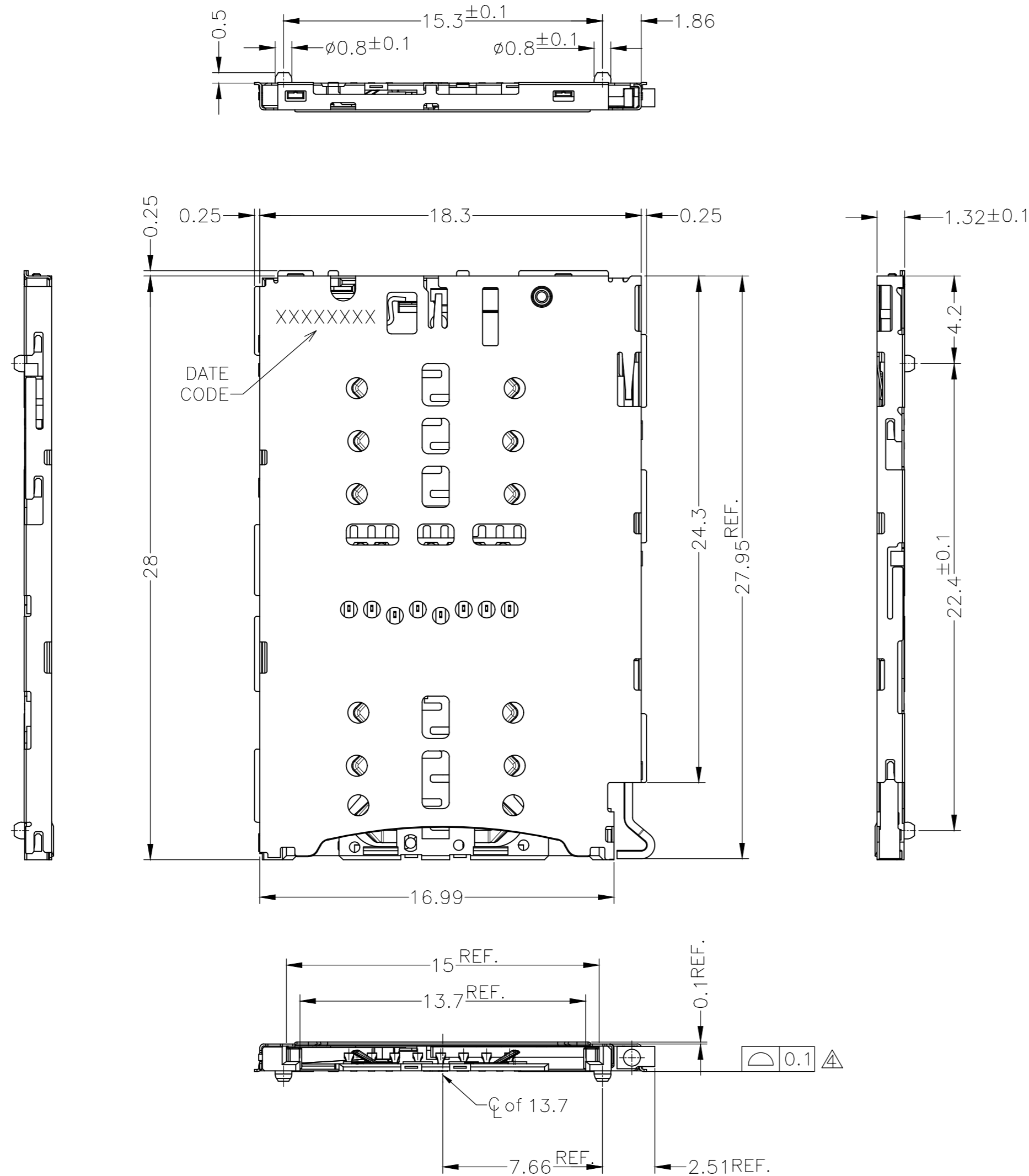


THIS DRAWING IS UNPUBLISHED. RELEASED FOR PUBLICATION  
 © COPYRIGHT - By - ALL RIGHTS RESERVED.

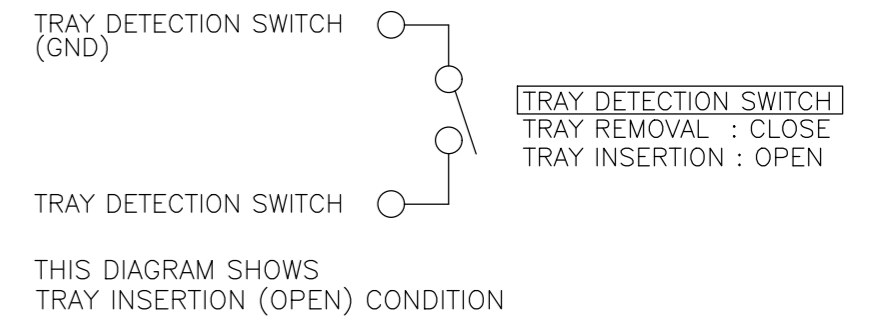
REVISIONS				
P	LTR	DESCRIPTION	DATE	APVD
E		REVISED	06JUL2018	J.T K.K



△ MATERIAL(PRELIMINARY):  
 HOUSING: THERMO PLASTIC, COLOR:BLACK  
 CONTACT : COPPER ALLOY  
 SWITCH CONTACT : COPPER ALLOY  
 SHELL : STAINLESS STEEL  
 LATCH : STAINLESS STEEL  
 LATCH MOLD : THERMO PLASTIC, COLOR:BLACK  
 SLIDER : STAINLESS STEEL  
 CAM : STAINLESS STEEL

△ FINISH:  
 CONTACT : Ni UNDER PLATING  
 SOLDERING AREA : Au PLATING  
 CONTACT AREA : Au PLATING  
 SWITCH CONTACT : Ni UNDER PLATING  
 SOLDERING AREA : Au PLATING  
 CONTACT AREA : Au PLATING  
 SHELL : Ni UNDER PLATING  
 SOLDERING AREA : Au PLATING

△ CAM, SLIDER MOVING AREA.  
 △ COPLANARITY, INITIAL 0.1 MAX.  
 △ CIRCUIT DRAWING OF SWITCH.

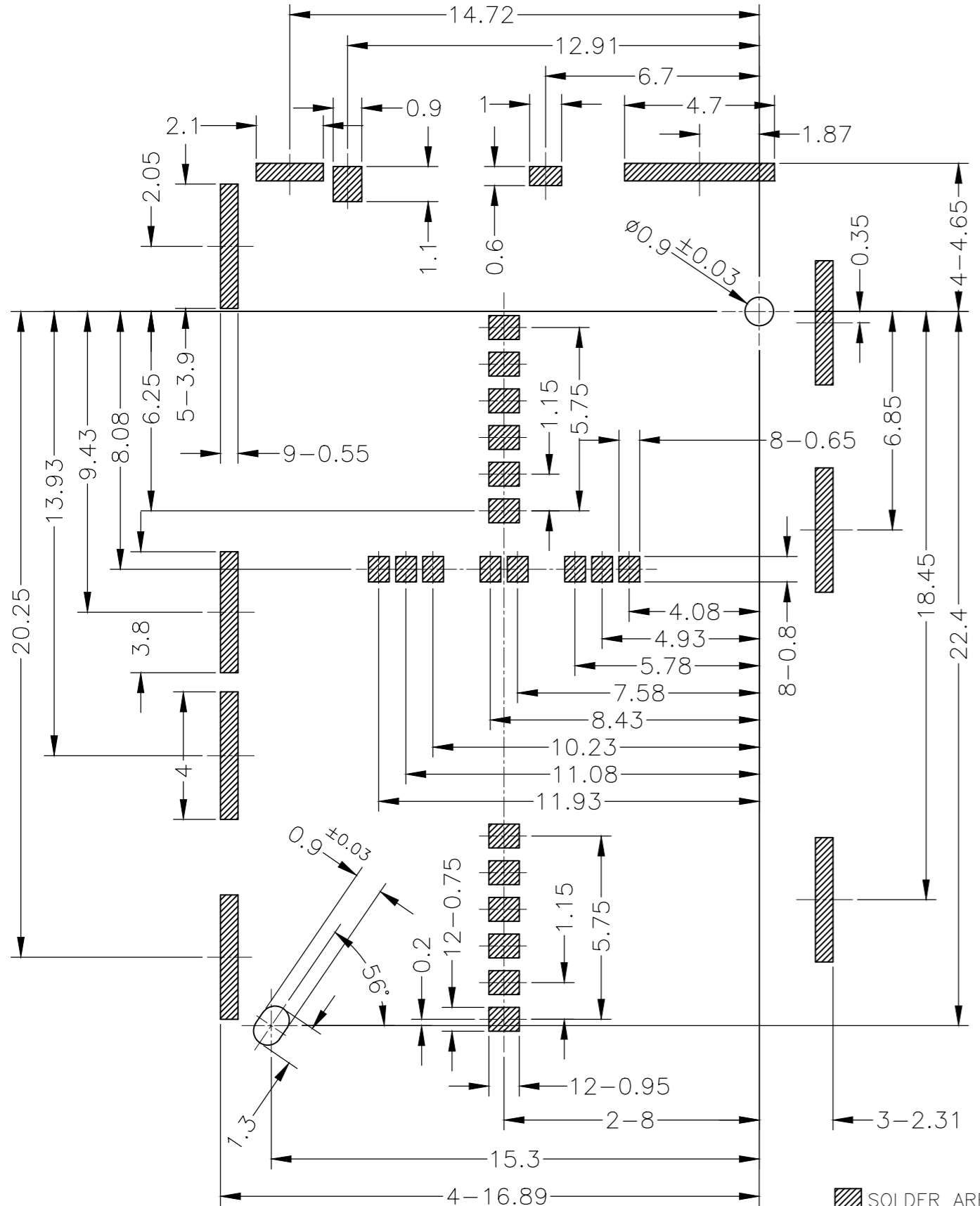


△ REFERENTIAL STENCIL DESIGN.  
 THICKNESS:0.1mm  
 OPENING RATIO: REFER TO SHEET 2  
 150%(5 GND PADS)  
 100%(OTHER PADS)

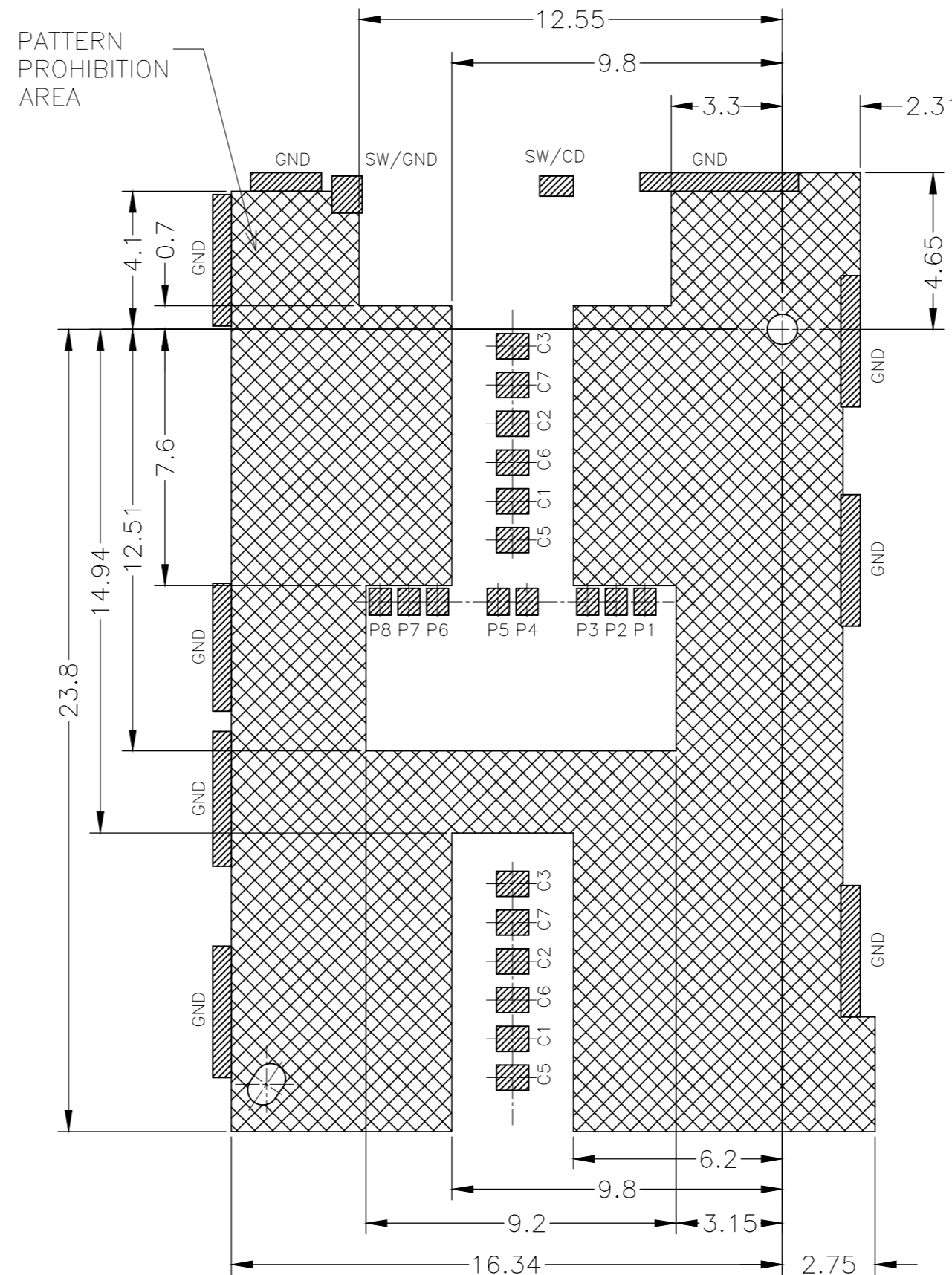
- 1:AS SHOWN

THIS DRAWING IS A CONTROLLED DOCUMENT.		DWN Y.OKOSHI 13FEB2015	△ 2290741-1	
DIMENSIONS: 単位: 純 mm		CHK J.TSUJI 13FEB2015	FINISH PART NUMBER	
TOLERANCES UNLESS OTHERWISE SPECIFIED: 一般公差		APVD K.KOBAYASHI 13FEB2015	TE Connectivity	
0 PLC ± 0.15		PRODUCT SPEC 製品規格	PIN PUSH TRAY TYPE CONNECTOR	
1 PLC ± 0.15		APPLICATION SPEC 取付適用規格	3 IN 2 FOR 4FF AND MCIRO SD CARD	
2 PLC ± 0.15		SIZE A2	CAGE CODE 00779	DRAWING NO. 番号 C=2290741
3 PLC ± -		RESTRICTED TO		
4 PLC ± -		SCALE 尺度 5:1		
ANGLES ± 3°		SHEET 1 of 4		
MATERIAL 材料 △		REV E		
FINISH 仕上 △		CUSTOMER DRAWING		

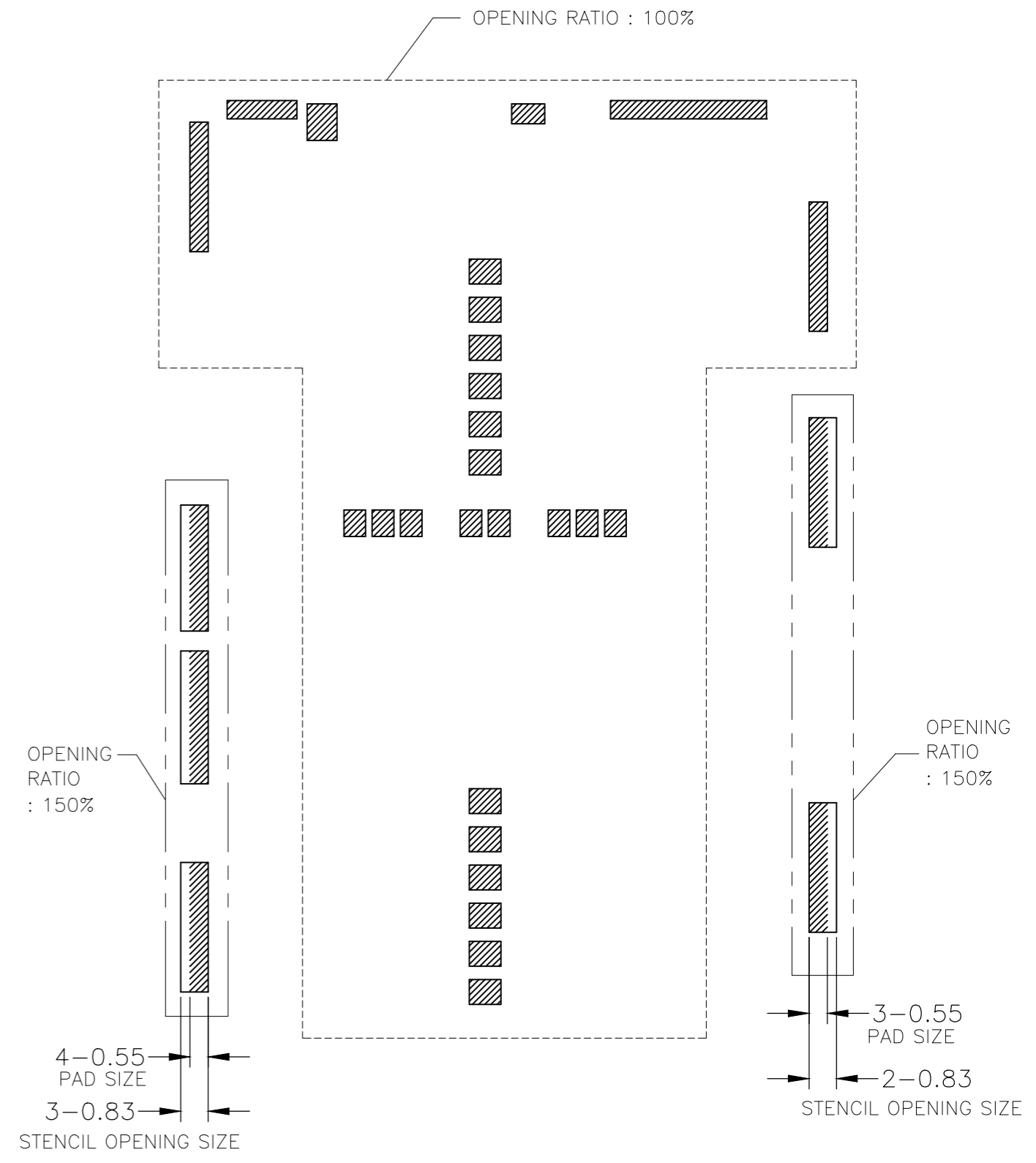
REVISIONS					
P	LTR	DESCRIPTION	DATE	DWN	APVD
-	-	SEE SHEET 1	-	-	-



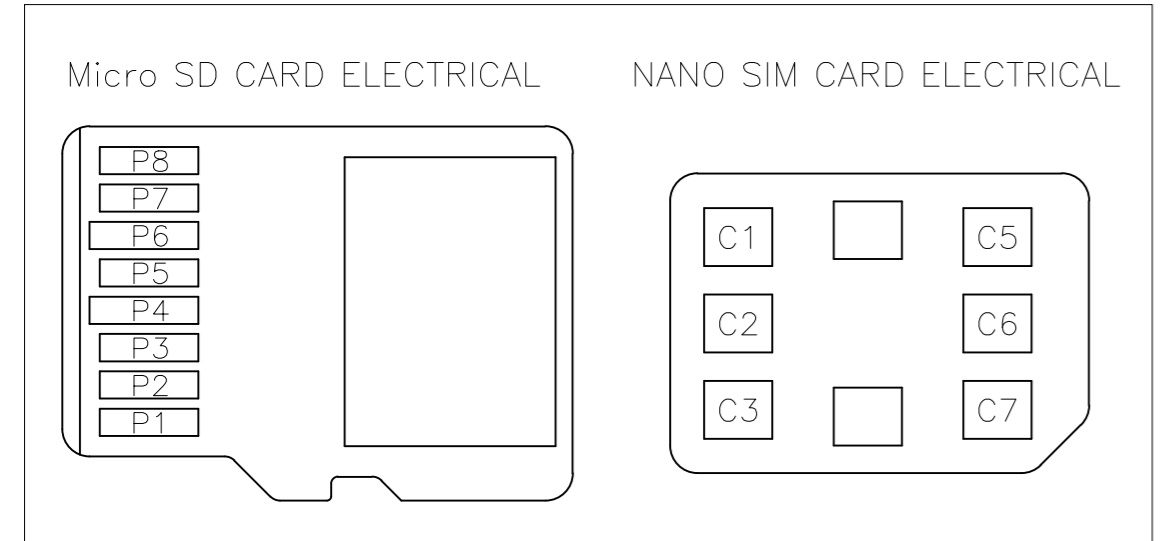
REFERENCE PCB LAYOUT (TOLERANCE : +/-0.05)  
FROM MOUNTING SURFACE



REFERENCE PCB LAYOUT (TOLERANCE : +/-0.05)  
FROM MOUNTING SURFACE



REFERENTIAL STENCIL DESIGN  
 PAD AREA  
 STENCIL OPENING AREA



CONNECTOR PIN ASSIGNMENT

ITEM	FUNCTION
Micro SD CARD	
P1	DAT2
P2	CD/DAT3
P3	CMD
P4	VDD
P5	CLK
P6	VSS
P7	DAT0
P8	DAT1
SW	TRAY DETECTION SW
S	SHELL GND
NANO SIM CARD	
C1	VCC
C2	RST
C3	CLK
C5	GND
C6	VPP
C7	DATA

CARD PIN ASSIGNMENT

ITEM	FUNCTION
Micro SD CARD	
P1	DAT2
P2	CD/DAT3
P3	CMD
P4	VDD
P5	CLK
P6	VSS
P7	DAT0
P8	DAT1
NANO SIM CARD	
C1	VCC
C2	RST
C3	CLK
C5	GND
C6	VPP
C7	DATA

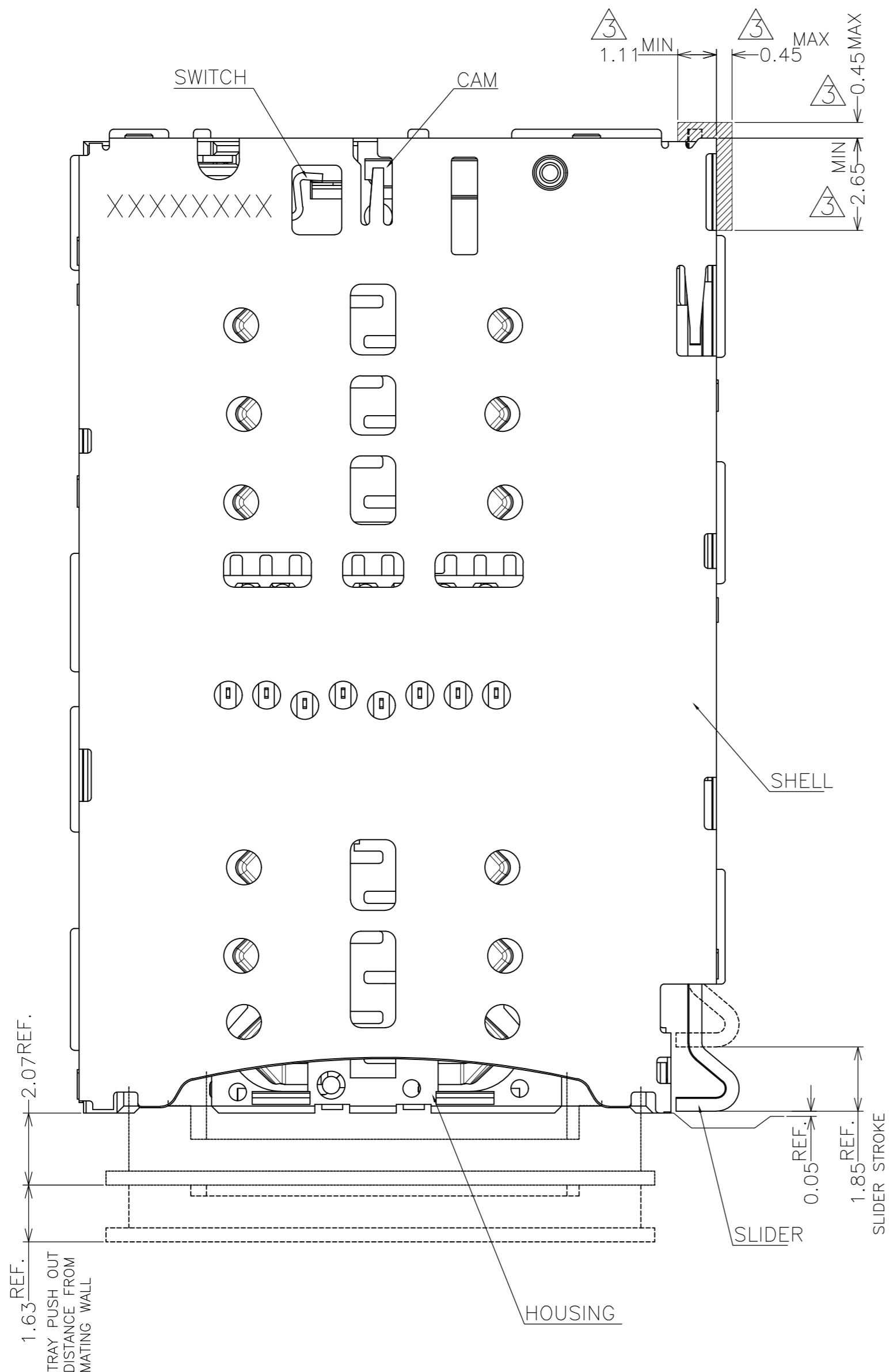
THIS DRAWING IS A CONTROLLED DOCUMENT.

DIMENSIONS: 單位: 耗 mm	TOLERANCES UNLESS OTHERWISE SPECIFIED: 一般公差	DWN	CHK	APVD	NAME 名稱		
	0 PLC ±	WEIGHT	SCALE 尺度 6:1	SHEET 2 of 4	REV E		
	1 PLC ±						
	2 PLC ±						
	3 PLC ±						
4 PLC ±	FINISH 仕上	PRODUCT SPEC 製品規格	APPLICATION SPEC 取付適用規格	SIZE A2	CAGE CODE 00779	DRAWING NO 番号 C=2290741	RESTRICTED TO
CUSTOMER DRAWING							

TE Connectivity  
 PIN PUSH TRAY TYPE CONNECTOR  
 3 IN 2 FOR 4FF AND MICRO SD CARD

THIS DRAWING IS UNPUBLISHED. RELEASED FOR PUBLICATION  
 © COPYRIGHT - By - ALL RIGHTS RESERVED.

REVISIONS					
P	LTR	DESCRIPTION	DATE	DWN	APVD
-	-	SEE SHEET 1	-	-	-



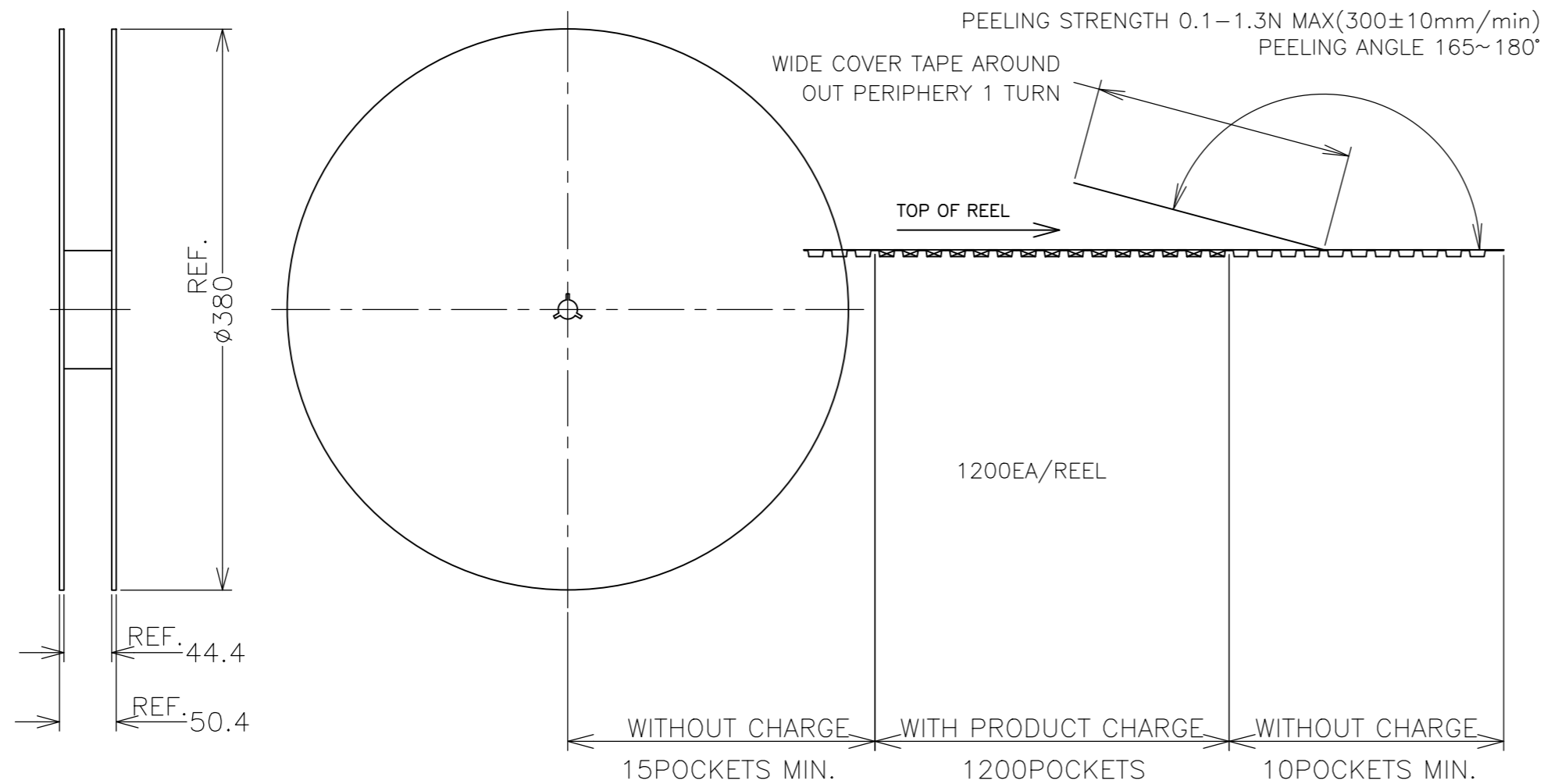
APPLICATION VIEW FOR TRAY

THIS DRAWING IS A CONTROLLED DOCUMENT.		DWN			
DIMENSIONS: 單位: 耗 mm		CHK			
TOLERANCES UNLESS OTHERWISE SPECIFIED: 一般公差		APVD	NAME 名稱		
0 PLC ±		PRODUCT SPEC 製品規格	PIN PUSH TRAY TYPE CONNECTOR		
1 PLC ±		APPLICATION SPEC 取付適用規格	3 IN 2 FOR 4FF AND MCIRO SD CARD		
2 PLC ±		WEIGHT	SIZE	CAGE CODE	DRAWING NO 番号
3 PLC ±		CUSTOMER DRAWING	A2	00779	C=2290741
4 PLC ±		SCALE 尺度 8:1	SHEET 3 of 4	REV E	RESTRICTED TO
ANGLES ±					
FINISH 仕上					

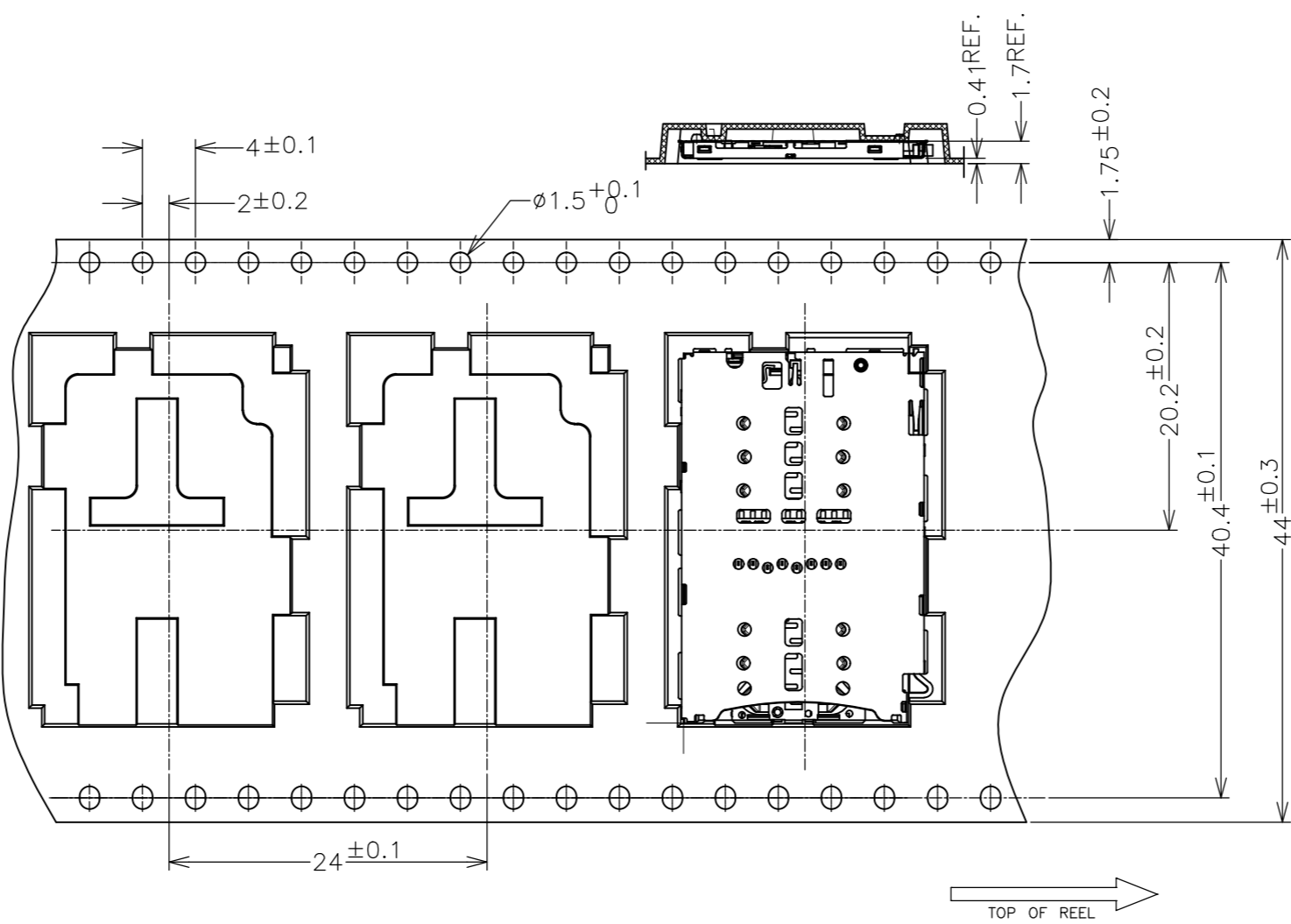
2290741

THIS DRAWING IS UNPUBLISHED. RELEASED FOR PUBLICATION  
 © COPYRIGHT - By - ALL RIGHTS RESERVED.

REVISIONS					
P	LTR	DESCRIPTION	DATE	DWN	APVD
-	-	SEE SHEET 1	-	-	-



WITHOUT CHARGE 15POCKETS MIN. WITH PRODUCT CHARGE 1200POCKETS WITHOUT CHARGE 10POCKETS MIN.



THIS DRAWING IS A CONTROLLED DOCUMENT.		DWN	<b>TE</b> TE Connectivity	
DIMENSIONS: 單位：mm		CHK		
TOLERANCES UNLESS OTHERWISE SPECIFIED: 一般公差		APVD	NAME 名稱	
0 PLC ±		PRODUCT SPEC 製品規格	PIN PUSH TRAY TYPE CONNECTOR	
1 PLC ±		APPLICATION SPEC 取付適用規格	3 IN 2 FOR 4FF AND MCIRO SD CARD	
2 PLC ±		WEIGHT	SIZE	CAGE CODE
3 PLC ±		CUSTOMER DRAWING	A2	00779
4 PLC ±			DRAWING NO. 番号	C=2290741
ANGLES ±		SCALE 尺度	NTS	SHEET 4 OF 4
FINISH 仕上		REV	E	

## X-ON Electronics

Largest Supplier of Electrical and Electronic Components

*Click to view similar products for [Memory Card Connectors](#) category:*

*Click to view products by [TE Connectivity](#) manufacturer:*

Other Similar products are found below :

[M21-033321-005](#) [6407-249V-25273P](#) [6407-249V-25343P](#) [6426-201-21343](#) [69.920.0553.0](#) [FCN-568P068-G/07-4V](#) [809180410000000](#)  
[N7E50-7516PG-20-WF](#) [HMCAP001](#) [252-0144-000](#) [2041353-2](#) [33CFAE-DN](#) [502431-1011](#) [NX1-32T-KT3K\(05\)](#) [95622-003LF](#) [N7E50-](#)  
[U516RB-50-SIN0005](#) [95079-00CALF](#) [33DVIR-29S12R](#) [125A-78C00](#) [MI20A-50PD-SF-EJL\(71\)](#) [KP10S-SF-PEJ\(812\)](#) [504536-0691](#) [504580-](#)  
[0691](#) [CCM03-3109 B LFT](#) [MI21-50PD-SF\(91\)](#) [2309923-1](#) [61126-050CAHLF](#) [IC1GA-68PD-1.27DS-EJ\(72\)](#) [GTFP08432B1HR](#)  
[G85DT17001P1EU](#) [G85B21611142HHR](#) [GSD090144HR](#) [G85D1140022P1HR](#) [GMCB05801124EU](#) [G85C11101152HHR](#)  
[G85B231021B1HR](#) [G85D1160022HHR](#) [112K-TAA0-RA1](#) [115S-ACA2](#) [115S-ACA3](#) [115S-BS00](#) [115S-BT00](#) [115V-AD00](#) [503960-0695](#)  
[101B-TAA0-R](#) [101D-TAAA-R01](#) [101D-TAAB-R01](#) [104D-TCA0-R06](#) [104B-TAA0-R](#) [112C-TBAR-R02](#)