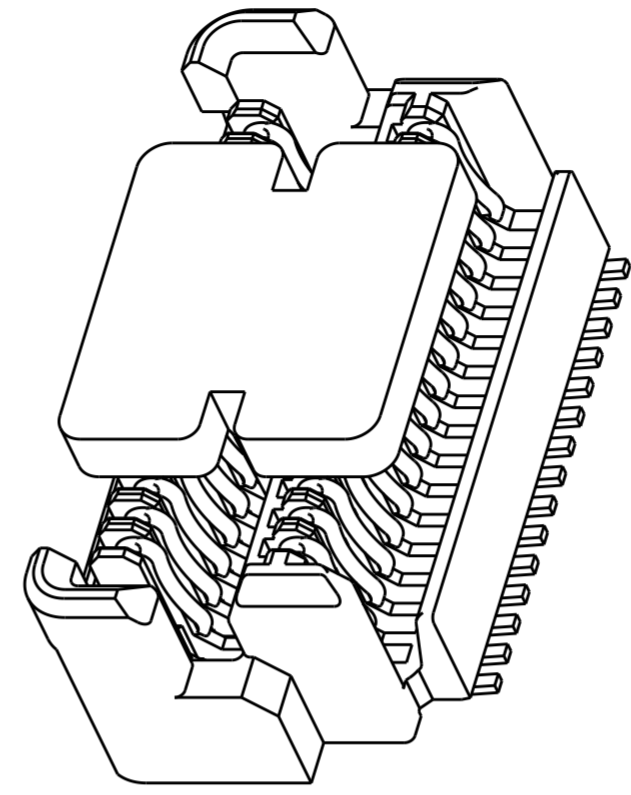
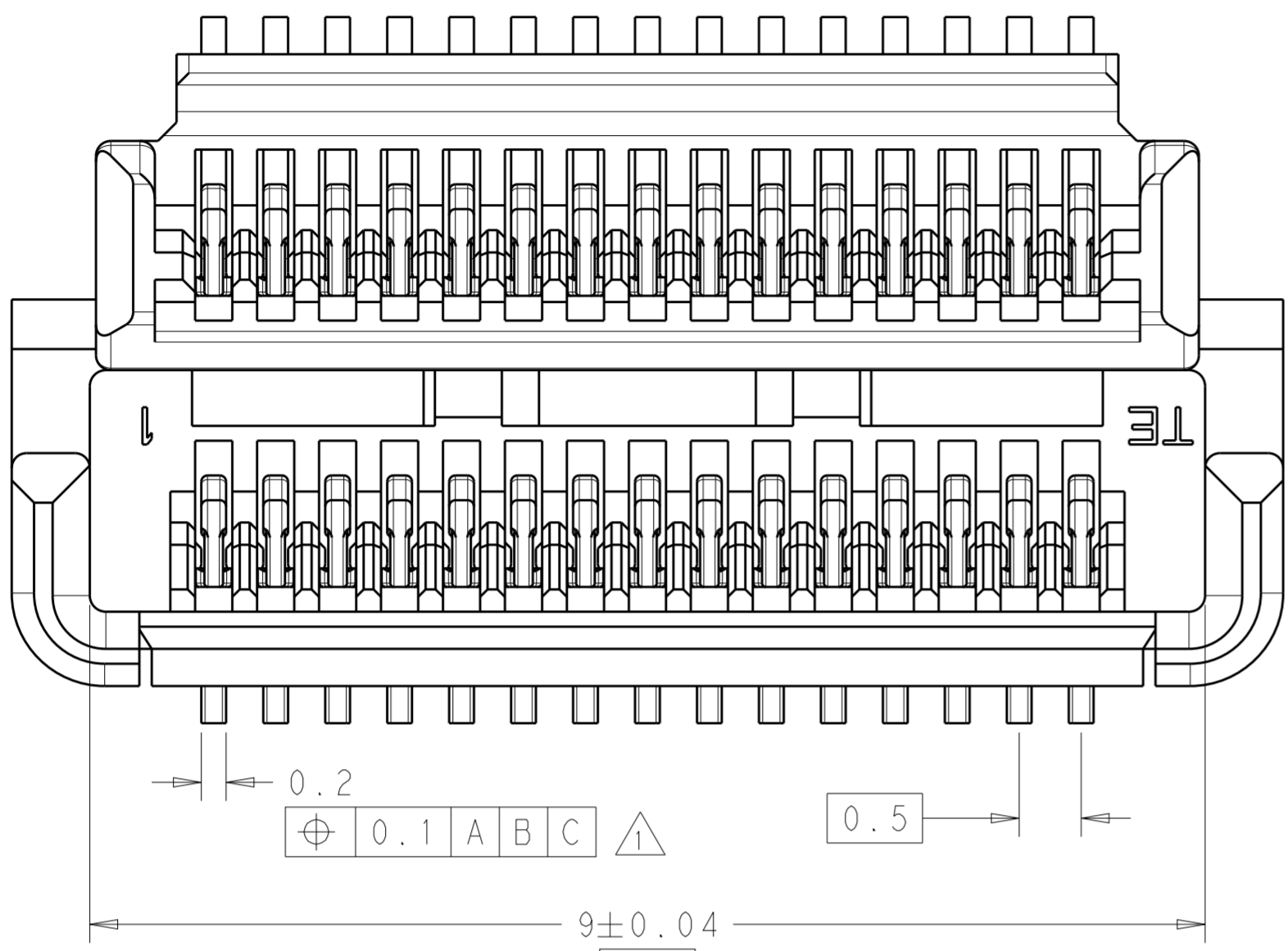


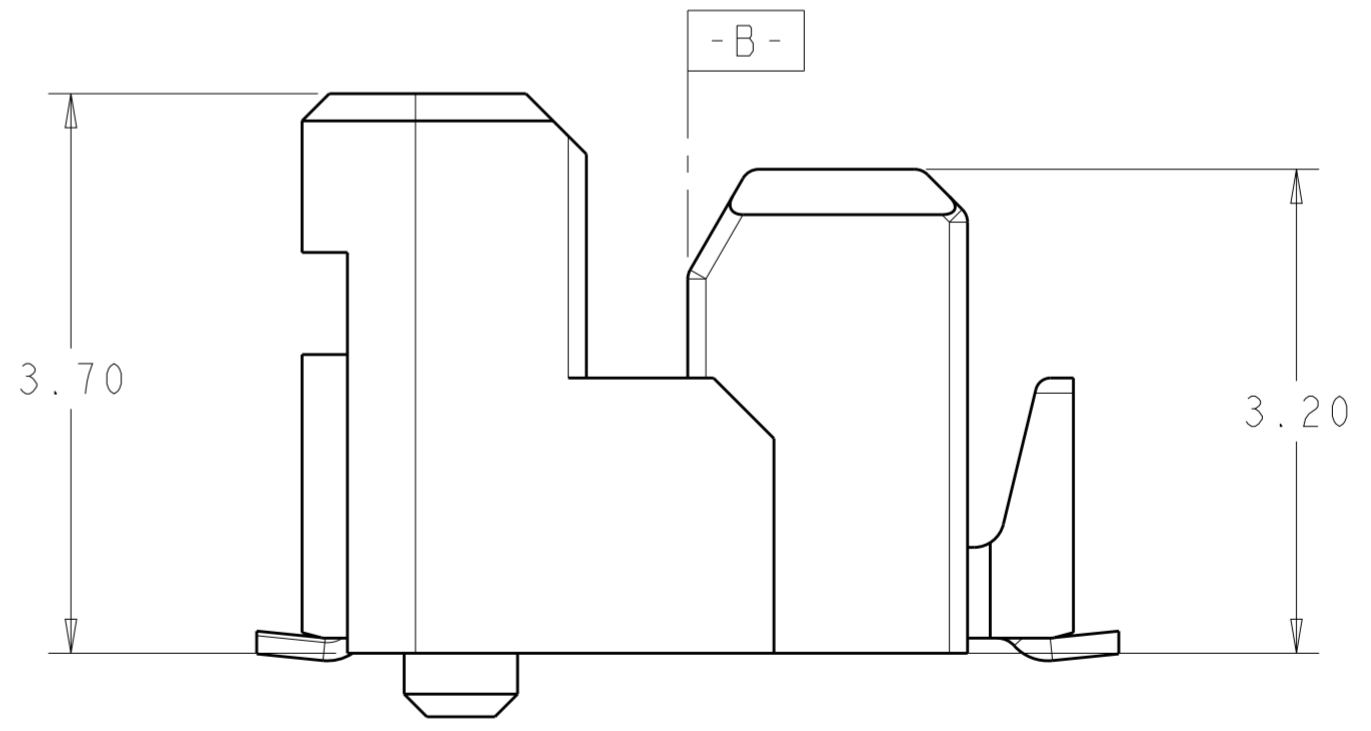
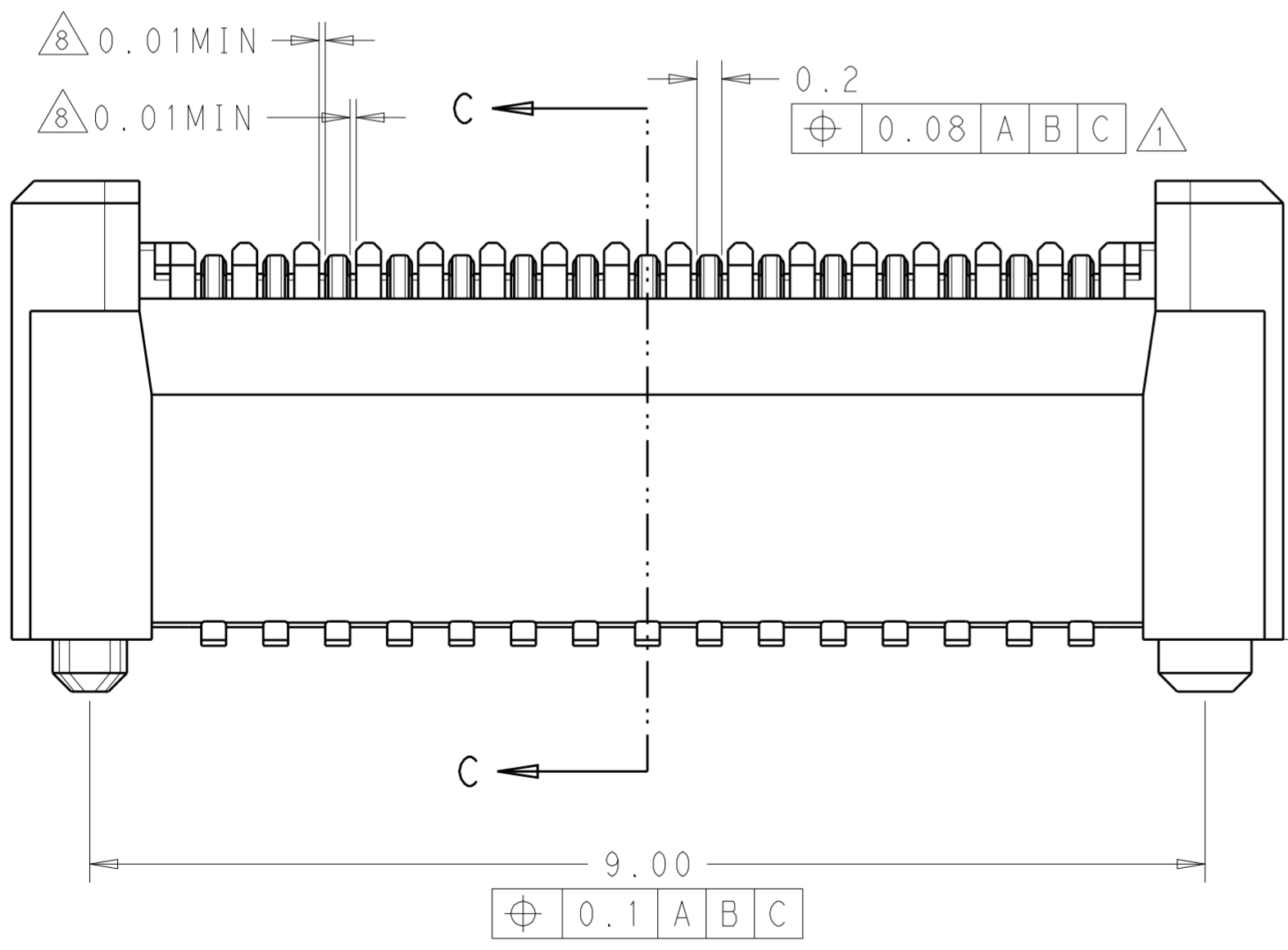
THIS DRAWING IS UNPUBLISHED. RELEASED FOR PUBLICATION
 © COPYRIGHT copyright.d8te- ALL RIGHTS RESERVED.

REVISIONS					
P	LTR	DESCRIPTION	DATE	DWN	APVD
A		NEW RELEASE	18MAY2017	B.J	S.Y



NOTES:

- 1. MATERIALS:
 - HOUSING: L.C.P (HIGH TEMP THERMOPLASTIC) UL 94V-0
 - CAP: L.C.P (HIGH TEMP THERMOPLASTIC) UL 94V-0
 - CONTACT: COPPER ALLOY
- 2. FINISH:
 - ENGAGEMENT AREA: 0.00038MM MIN GOLD
 - SOLDERING AREA: 0.00005MM MIN GOLD
 - UNDERPLATING: 0.00127MM MIN NICKEL ALL OVER



2291283-1 WITHOUT CAP

THIS DRAWING IS A CONTROLLED DOCUMENT.		DWN B.J 18MAY2017	TE Connectivity			
DIMENSIONS: mm		CHK A.S 18MAY2017				NAME 0.5MM FPH BTB CONN. 30POS 4MM MATING HEIGHT
TOLERANCES UNLESS OTHERWISE SPECIFIED:		APVD S.Y 18MAY2017				PRODUCT SPEC -
0 PLC ± 1 PLC ±0.2 2 PLC ±0.08 3 PLC ± 4 PLC ± ANGLES ± FINISH -		APPLICATION SPEC -				SIZE A2
MATERIAL	-	WEIGHT	-	CAGE CODE -	DRAWING NO C-2291283	RESTRICTED TO -
finish_spec_2		CUSTOMER DRAWING		SCALE 10:1	SHEET 1 OF 5	REV A

4

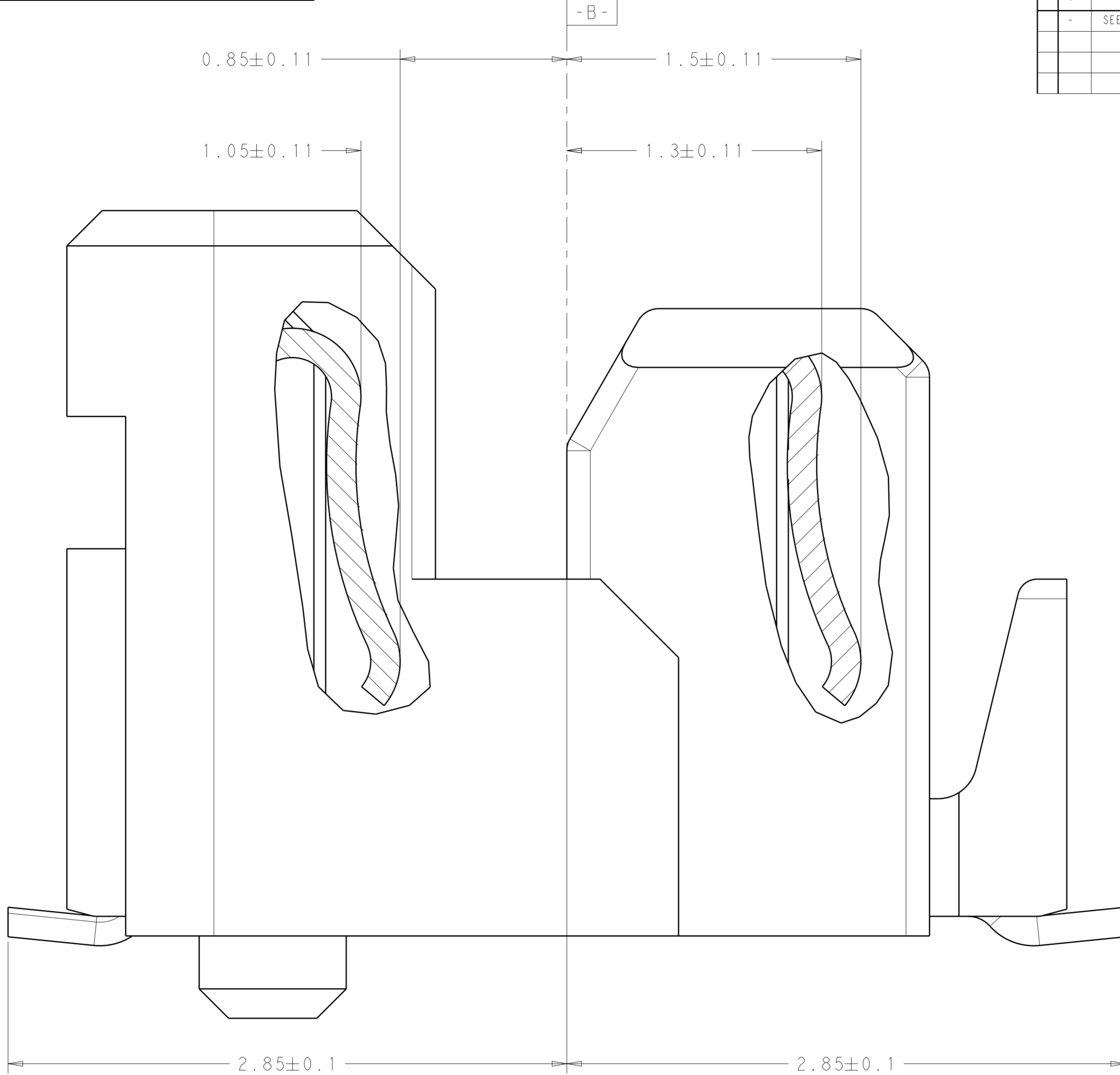
3

2

1

THIS DRAWING IS UNPUBLISHED. RELEASED FOR PUBLICATION
 © COPYRIGHT copyright.d8te- ALL RIGHTS RESERVED.

REVISIONS				
P	LTR	DESCRIPTION	DATE	APVD
-		SEE SHEET 1	-	-



SECTION C-C
 SCALE 60:1

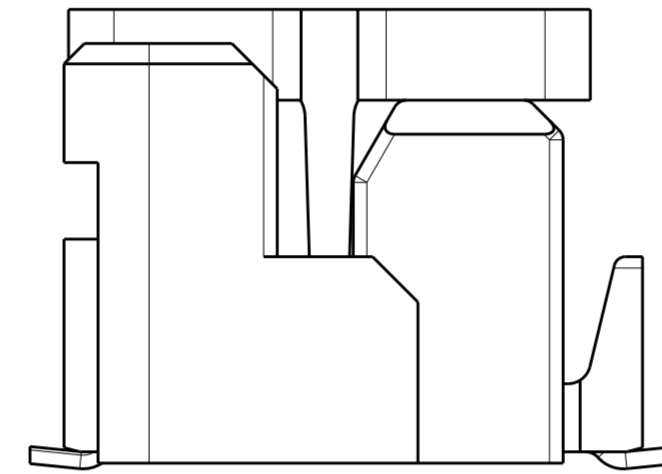
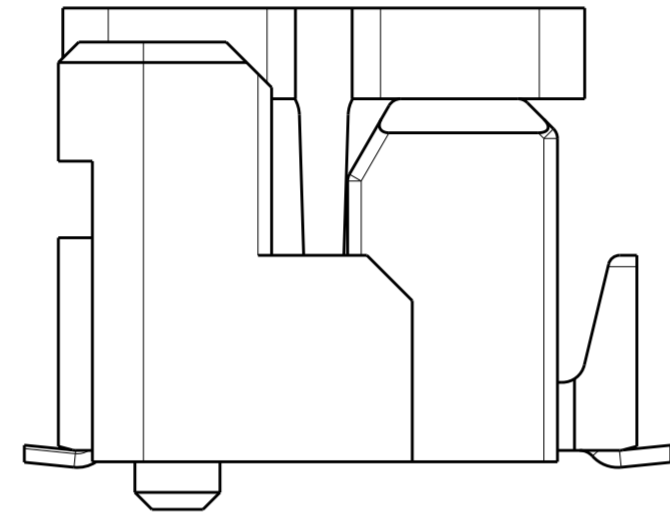
THIS DRAWING IS A CONTROLLED DOCUMENT.		DWN B.J	18MAY2017	 TE Connectivity
		CHK A.S	18MAY2017	
		APVD S.Y	18MAY2017	
		PRODUCT SPEC		
DIMENSIONS:				NAME
mm	TOLERANCES UNLESS OTHERWISE SPECIFIED:			0.5MM FPH BTB CONN. 30POS 4MM MATING HEIGHT
	0 PLC ±-			SIZE
	1 PLC ±0.2			A2
	2 PLC ±0.08			CAGE CODE
	3 PLC ±-			C-2291283
	4 PLC ±-			DRAWING NO
	ANGLES ±-			RESTRICTED TO
	FINISH ±-			-
MATERIAL	finish_spec_2			SCALE
				10:1
				SHEET
				2 OF 5
				REV
				A

THIS DRAWING IS UNPUBLISHED. RELEASED FOR PUBLICATION
 © COPYRIGHT copyright.d8te- ALL RIGHTS RESERVED.

REVISIONS				
P	LTR	DESCRIPTION	DATE	APVD
-		SEE SHEET 1	-	-

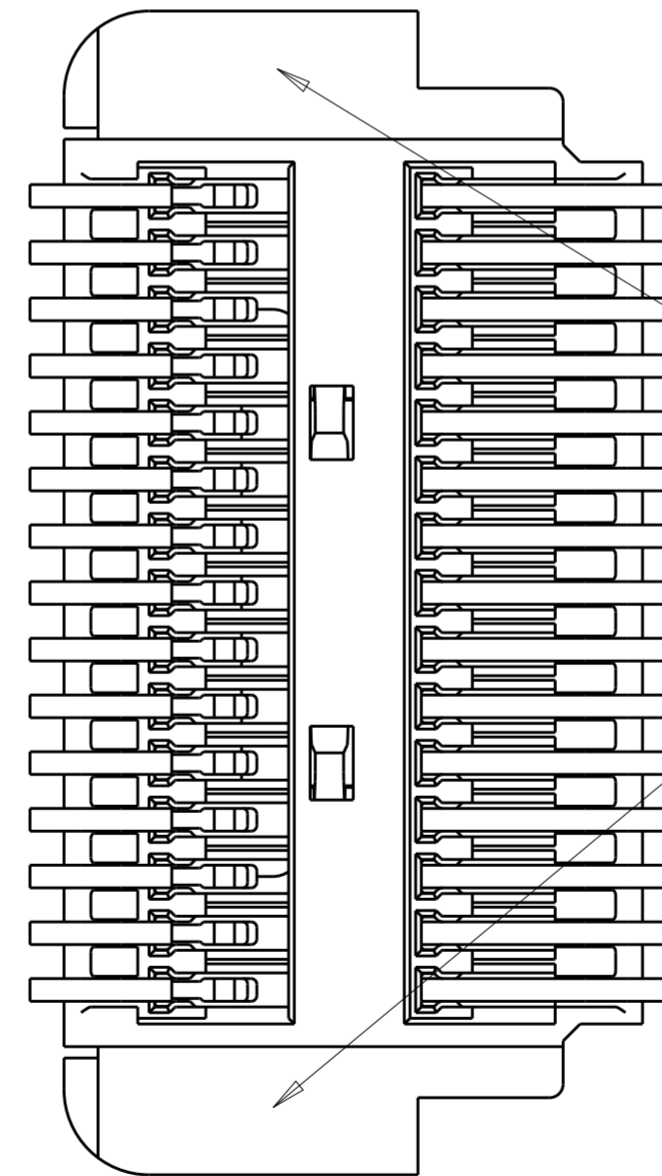
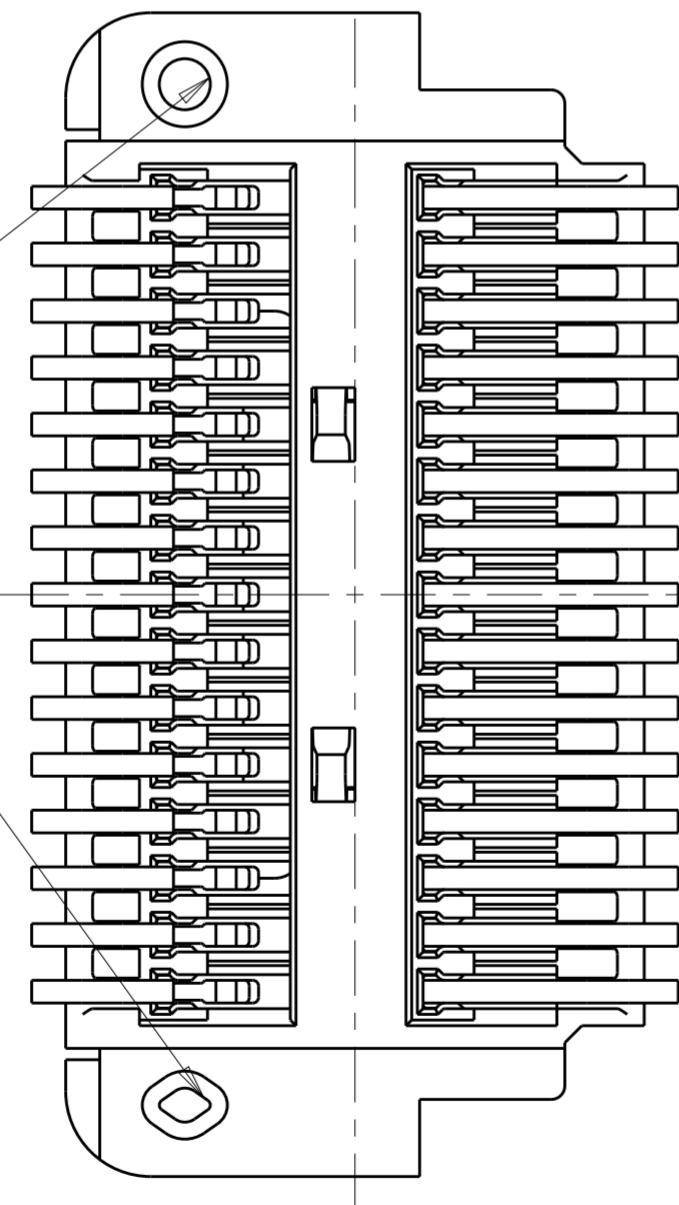
2291283-1 WITH CAP
(WITH BOSS VERSION)

2291283-2 WITH CAP
(WITHOUT BOSS VERSION)



WITH POST

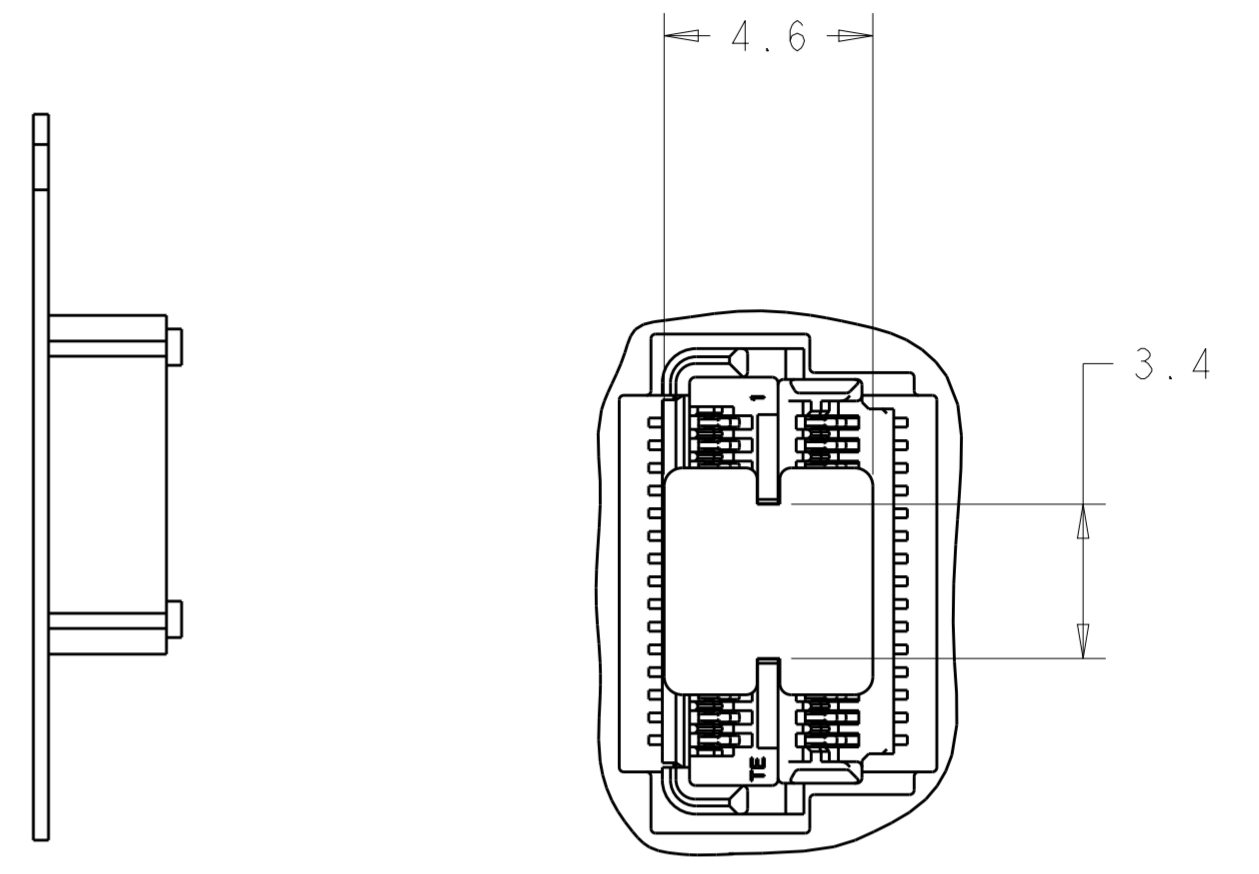
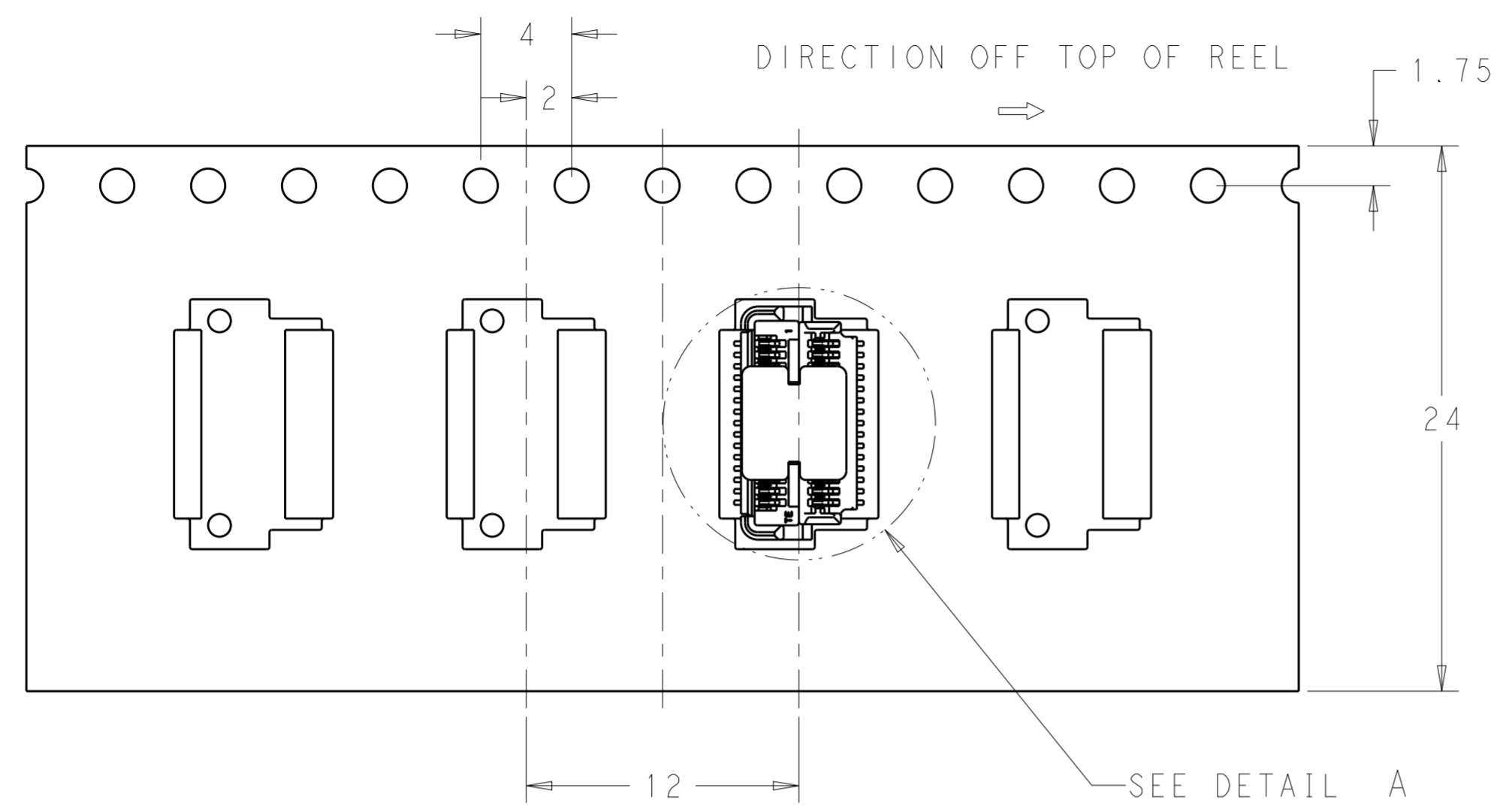
WITHOUT POST



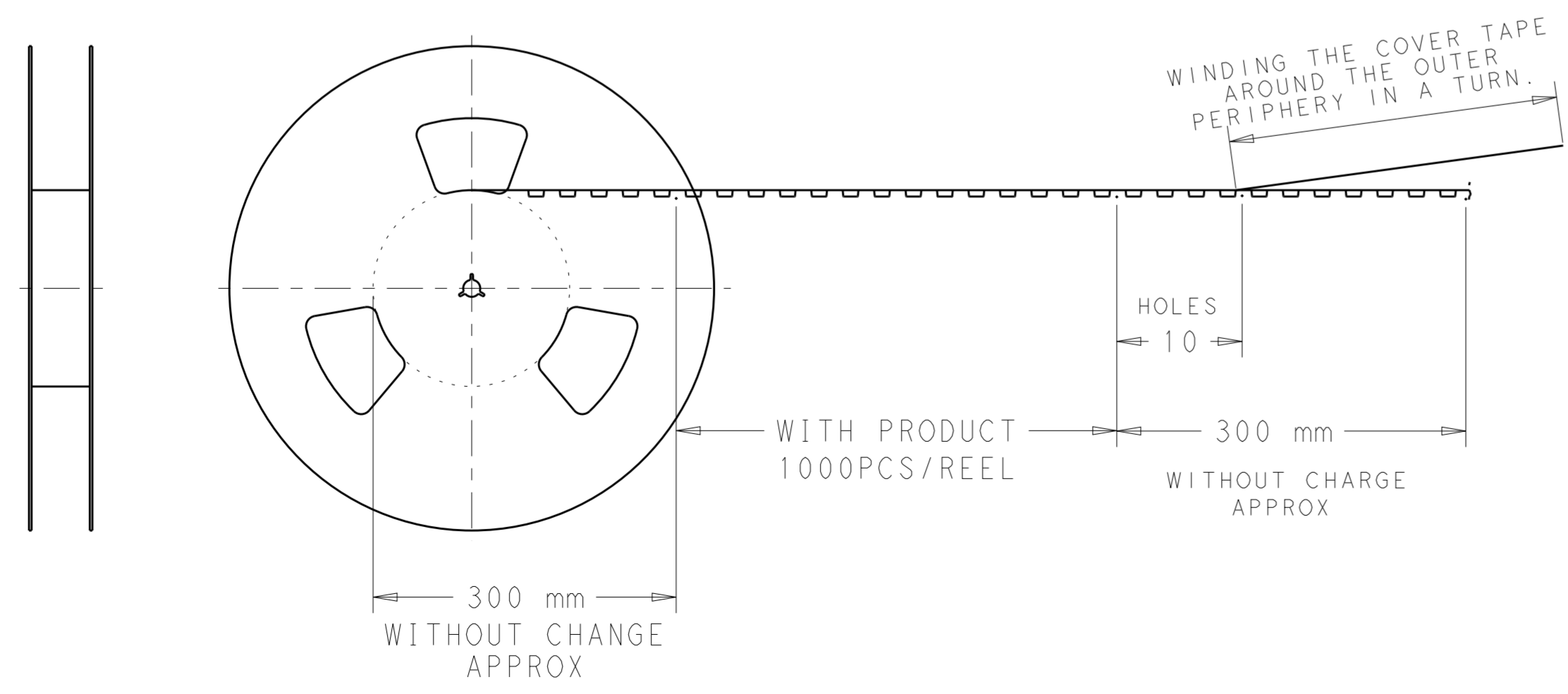
THIS DRAWING IS A CONTROLLED DOCUMENT.		DWN B. J	18MAY2017	STE TE Connectivity
		CHK A. S	18MAY2017	
		APVD S. Y	18MAY2017	
		PRODUCT SPEC	-	
DIMENSIONS: mm		TOLERANCES UNLESS OTHERWISE SPECIFIED:		NAME 0.5MM FPH BTB CONN. 30POS 4MM MATING HEIGHT
0 PLC ±		1 PLC ±0.2		SIZE A2
2 PLC ±0.08		3 PLC ±		CAGE CODE C-2291283
4 PLC ±		ANGLES ±1°		DRAWING NO C-2291283
FINISH		FINISH		RESTRICTED TO -
MATERIAL -		finish_spec_2		SCALE 10:1
		CUSTOMER DRAWING		SHEET 3 OF 5
				REV A

THIS DRAWING IS UNPUBLISHED. RELEASED FOR PUBLICATION
 © COPYRIGHT copyright.d8te- ALL RIGHTS RESERVED.

REVISIONS					
P	LTR	DESCRIPTION	DATE	DWN	APVD
-		SEE SHEET 1	-	-	-



DETAIL A
SCALE 6:1

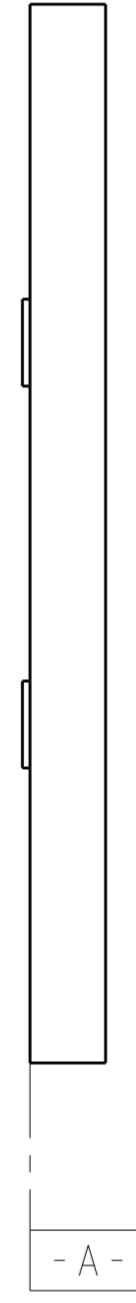
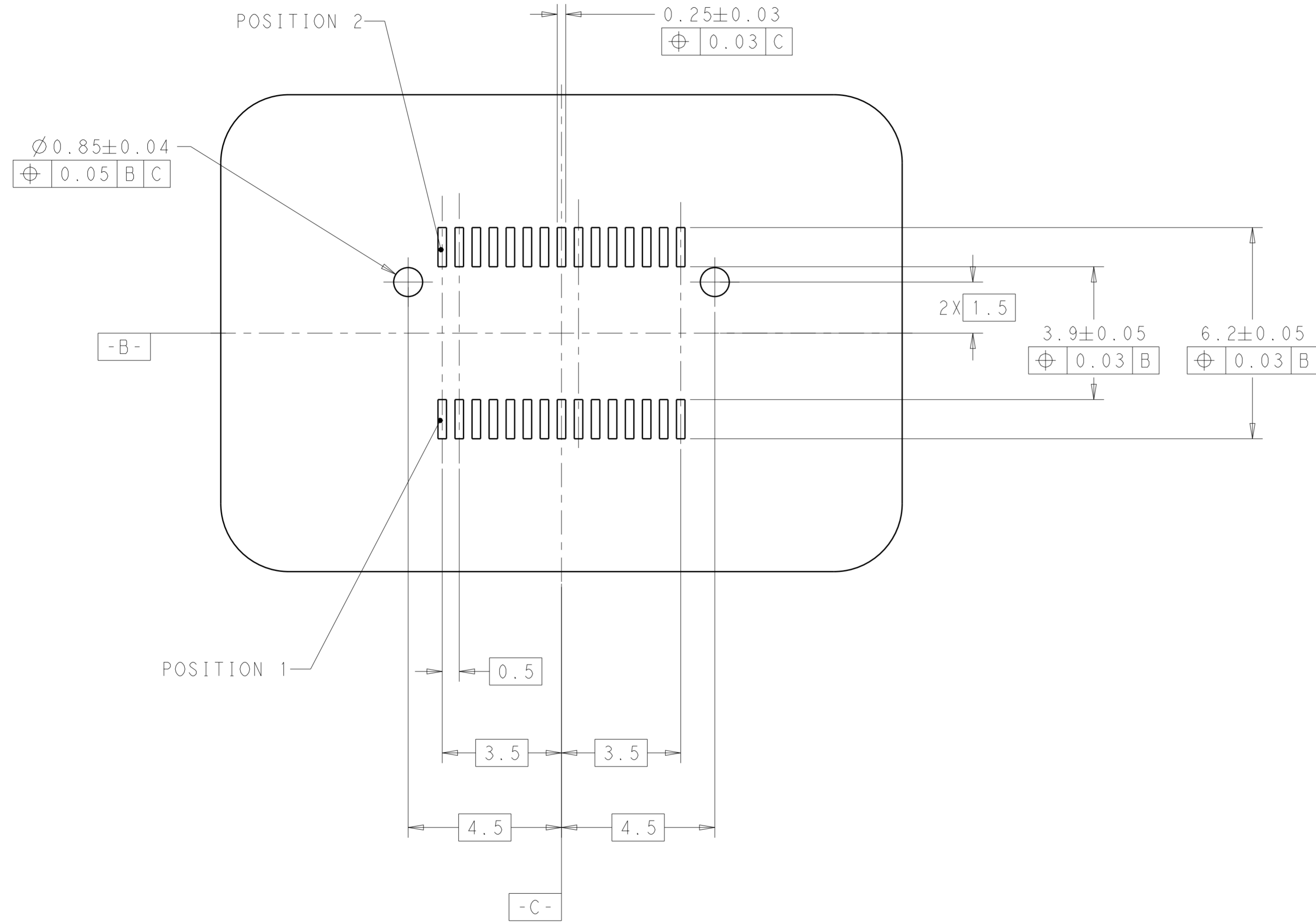


NATURAL	BLACK	WITHOUT	\triangle	1100	30	2291283-2
NATURAL	BLACK	WITH	\triangle	1100	30	2291283-1
CAP COLOR	HSG COLOR	LOCATION POST	FINISH	QTY/R	POS	P/N

THIS DRAWING IS A CONTROLLED DOCUMENT.		DWN B.J 18MAY2017	TE Connectivity
DIMENSIONS: mm		CHK A.S 18MAY2017	
TOLERANCES UNLESS OTHERWISE SPECIFIED:		APVD S.Y 18MAY2017	
0 PLC ± 1 PLC ±0.2 2 PLC ±0.08 3 PLC ± 4 PLC ± ANGLES ± FINISH ±		PRODUCT SPEC -	NAME 0.5MM FPH BTB CONN 30POS 4MM MATING HEIGHT
MATERIAL -		APPLICATION SPEC -	SIZE A2
finish_spec_2		WEIGHT -	DRAWING NO C-2291283
CUSTOMER DRAWING			RESTRICTED TO -
SCALE 10:1			SHEET 4 OF 5
			REV A

THIS DRAWING IS UNPUBLISHED. RELEASED FOR PUBLICATION
 © COPYRIGHT copyright.dBTe- ALL RIGHTS RESERVED.

REVISIONS				
P	LTR	DESCRIPTION	DATE	APVD
-		SEE SHEET 1	-	-



RECOMMENDED FOOTPRINT

THIS DRAWING IS A CONTROLLED DOCUMENT.		DWN B.J.	18MAY2017	 TE Connectivity
		CHK A.S.	18MAY2017	
		APVD S.Y.	18MAY2017	
		PRODUCT SPEC		
DIMENSIONS:		TOLERANCES UNLESS OTHERWISE SPECIFIED:		NAME
mm	0 PLC ±	1 PLC ±0.2		0.5MM FPH BTB CONN
	2 PLC ±0.08	3 PLC ±		30POS 4MM MATING HEIGHT
	4 PLC ±	ANGLES ±		
	FINISH	finish_spec_2		SIZE
MATERIAL	-	CUSTOMER DRAWING		A2
		SCALE 10:1		CAGE CODE
		SHEET 5 OF 5		DRAWING NO
		REV A		C-2291283
		RESTRICTED TO		

X-ON Electronics

Largest Supplier of Electrical and Electronic Components

Click to view similar products for [Board to Board & Mezzanine Connectors](#) category:

Click to view products by [TE Connectivity](#) manufacturer:

Other Similar products are found below :

[589158040000018](#) [MDF7C-18P-2.54DSA\(55\)](#) [FCN-230C068-11](#) [FCN-268F012-G/BD](#) [FCN-268F036-G/BD](#) [FCN-268M012-G/0D](#) [FCN-268M024-G/1D](#) [FCN-723J004/1](#) [MIS-048-01-F-D-DP-K](#) [832-10-034-10-001000](#) [FX4C-80S-1.27DSA](#) [FCN-214Q030-G/0](#) [FCN-234P048-G/0](#) [FCN-235D050-G/C](#) [210-93-314-41-105000](#) [2-22603-0](#) [MDF7-40DP-2.54DSA\(55\)](#) [AXG720047](#) [5031084030](#) [MIT-114-03-F-D-K](#) [55323-1519](#) [DF33-2P-3.3DSA\(24\)](#) [YFT-20-05-H-03-SB-K](#) [503308-3040](#) [026-6203-PDB](#) [027-6203-PDB](#) [069159702701000](#) [10123981-102LF](#) [101A10019X](#) [55650-0588-C](#) [68682-310LF](#) [68684-306](#) [75140-7012](#) [87471-650](#) [194261-1](#) [FCN-268F024-G0D](#) [10124054-515LF](#) [68685-603](#) [8-1616154-3](#) [MIS-019-01-F-D](#) [FCN-268M024-G/3D](#) [20021832-06016C1LF](#) [KX15-20KLDL-E1000E](#) [MDF7-16DP-2.54DSA\(55\)](#) [AXE810124](#) [FCN-214J100-G/0](#) [FCN-230C068-E/S](#) [AXE812124](#) [AXE816124](#) [AXE720127](#)