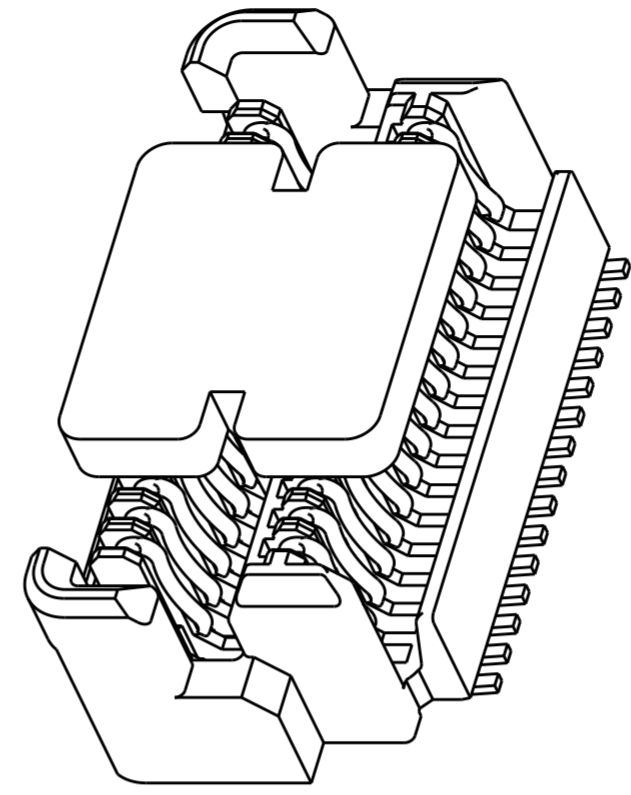
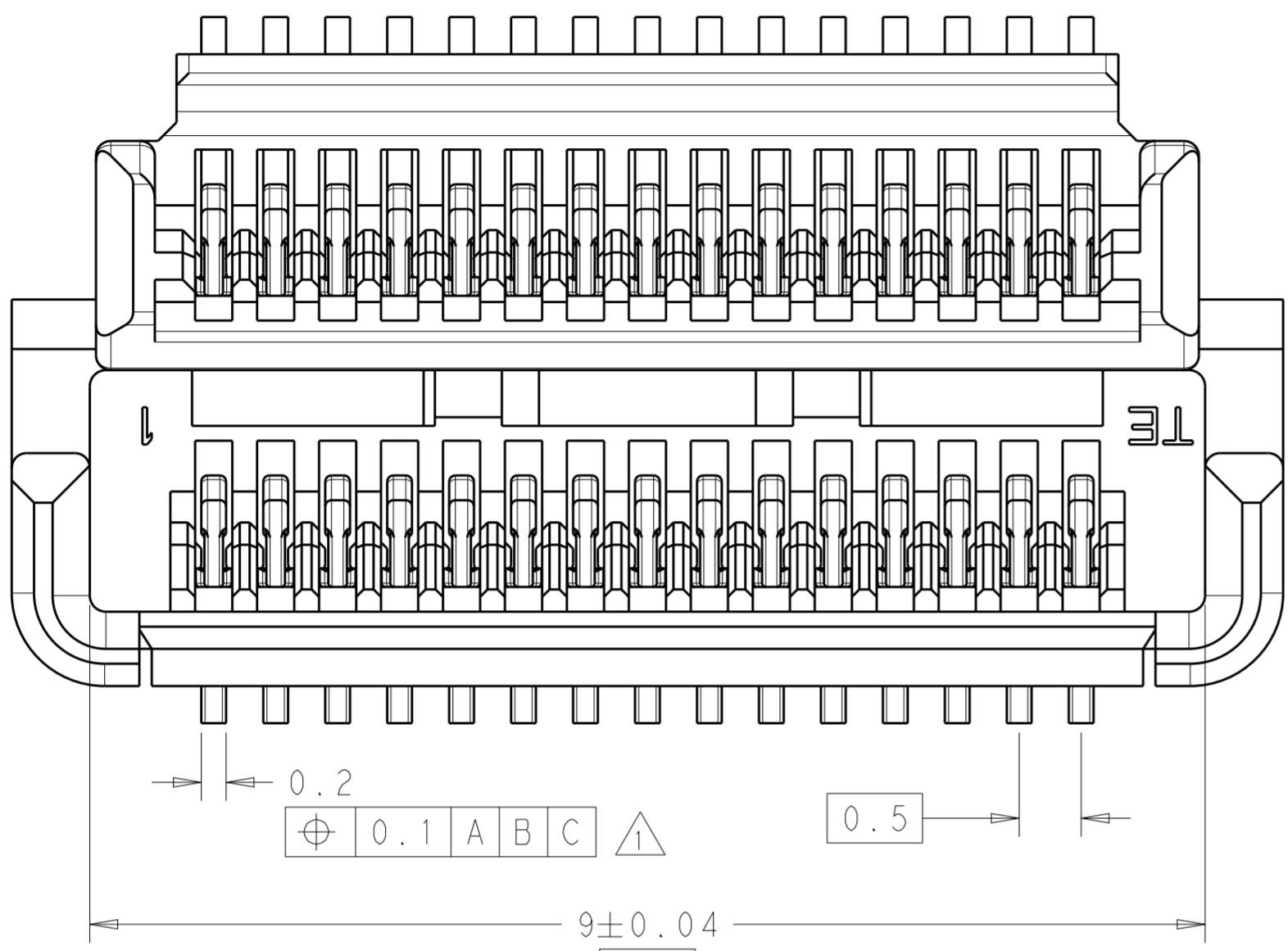


THIS DRAWING IS UNPUBLISHED. RELEASED FOR PUBLICATION  
 © COPYRIGHT copyright.d8te- ALL RIGHTS RESERVED.

REVISIONS				
P	LTR	DESCRIPTION	DATE	APVD
A		NEW RELEASE	18MAY2017	B.J S.Y



NOTES:

1. MATERIALS:

HOUSING: L.C.P  
 (HIGH TEMP THERMOPLASTIC)  
 UL 94V-0

CAP: L.C.P (HIGH TEMP THERMOPLASTIC)  
 UL 94V-0

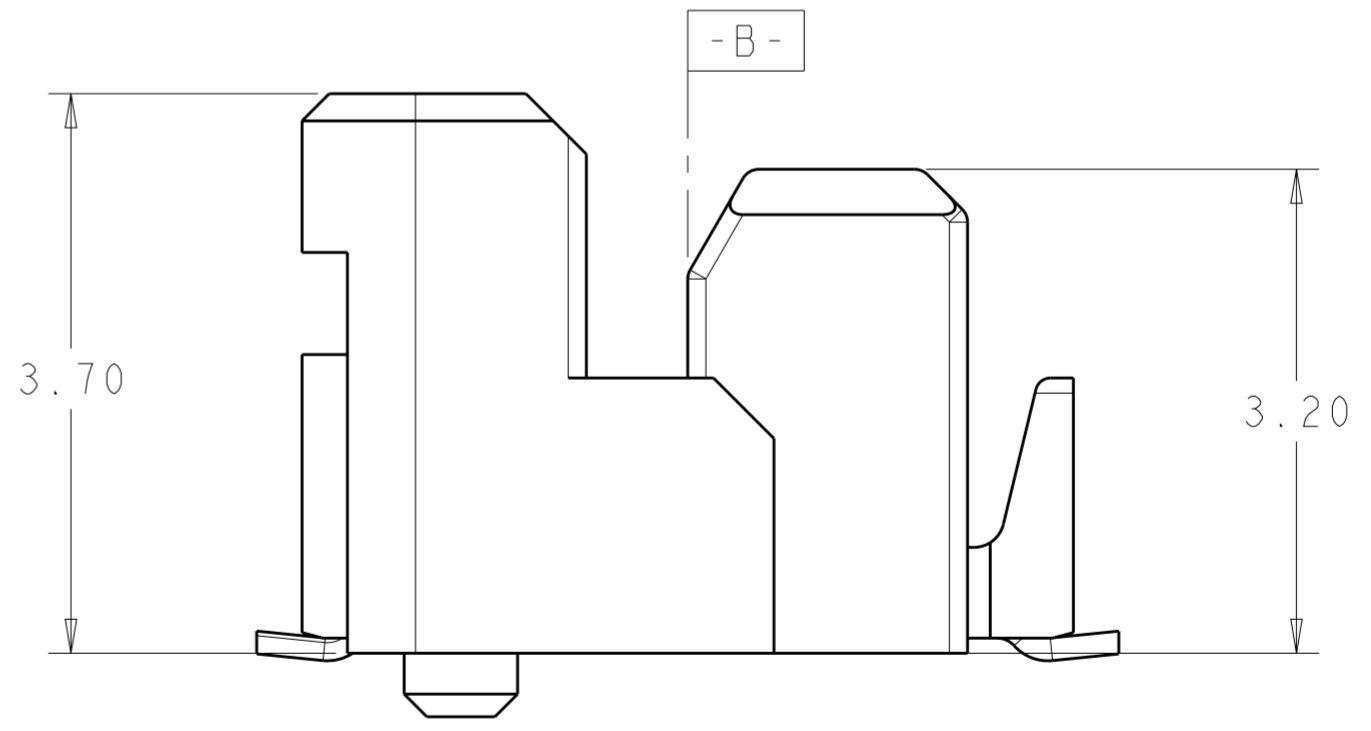
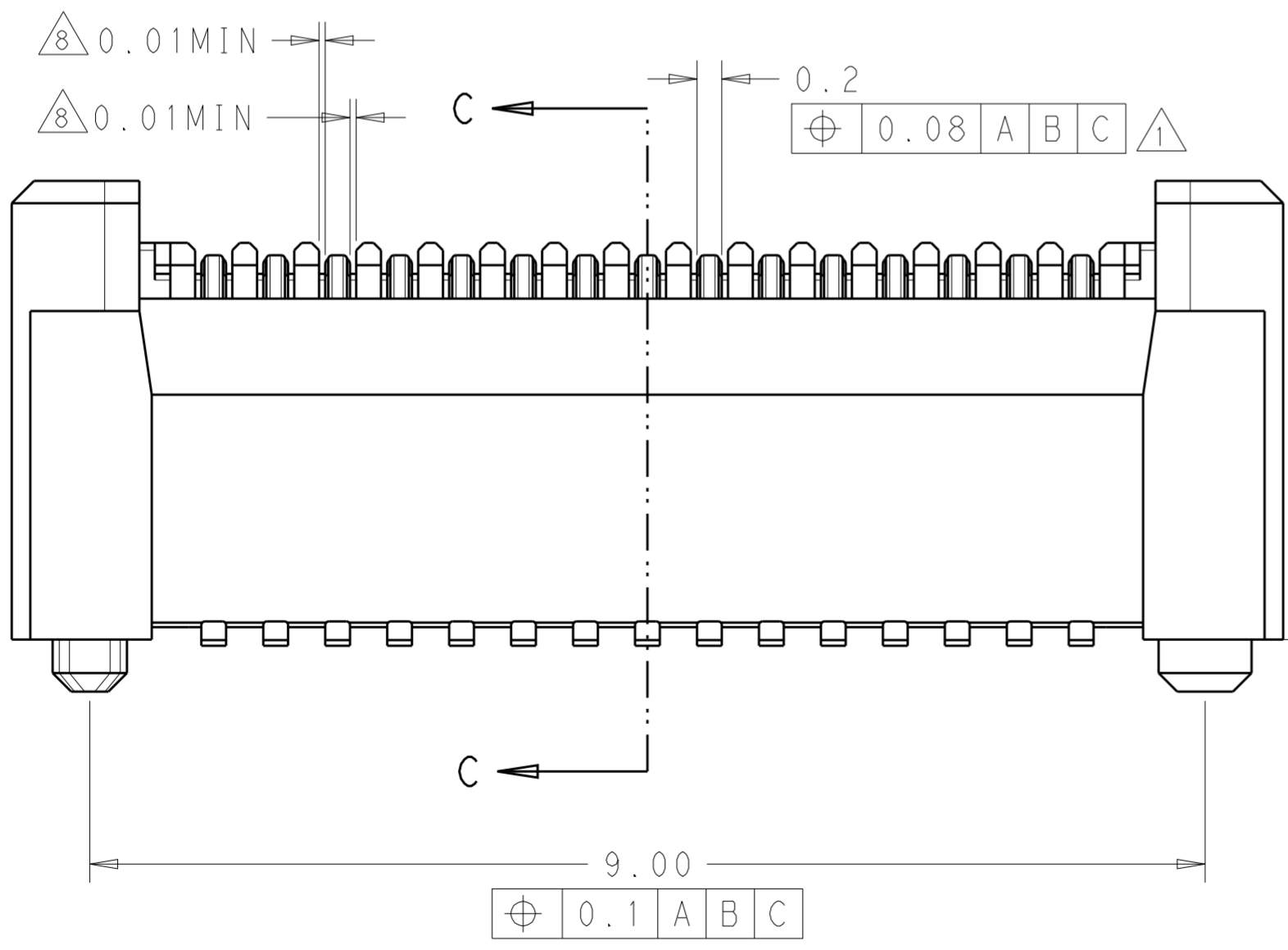
CONTACT: COPPER ALLOY

2. FINISH:

ENGAGEMENT AREA: 0.00038MM MIN GOLD

SOLDERING AREA: 0.00005MM MIN GOLD

UNDERPLATING: 0.00127MM MIN NICKEL  
 ALL OVER

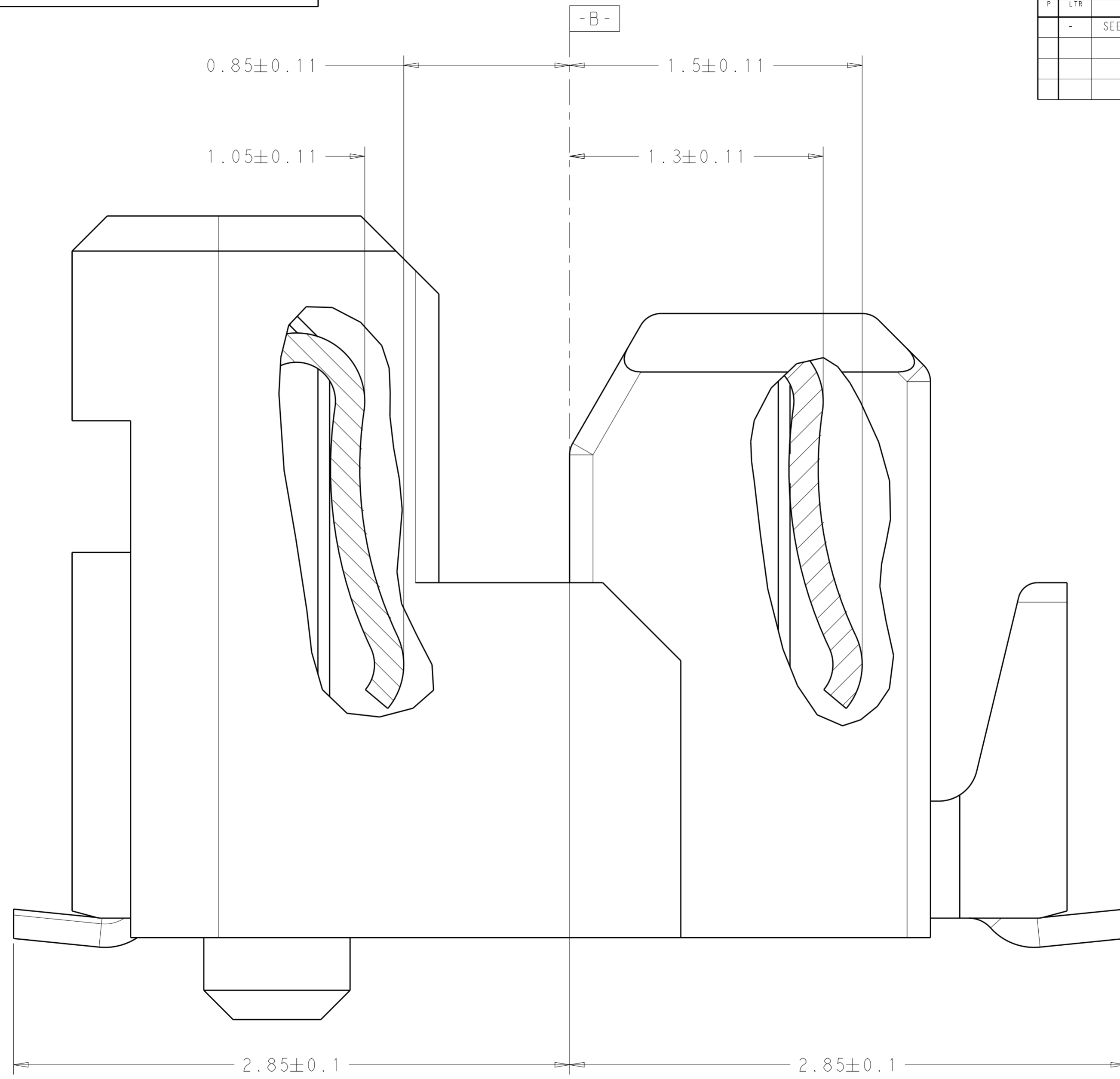


2291283-1 WITHOUT CAP

THIS DRAWING IS A CONTROLLED DOCUMENT.		DWN B.J	18MAY2017	 TE Connectivity	NAME 0.5MM FPH BTB CONN. 30POS 4MM MATING HEIGHT
		CHK A.S	18MAY2017		
		APVD S.Y	18MAY2017		
		PRODUCT SPEC	-		
DIMENSIONS:		TOLERANCES UNLESS OTHERWISE SPECIFIED:		APPLICATION SPEC	-
mm		0 PLC ±		WEIGHT	-
		1 PLC ±0.2		SCALE	10:1
		2 PLC ±0.08		SHEET	1 OF 5
		3 PLC ±		REV	A
		4 PLC ±		RESTRICTED TO	
		ANGLES ±		-	
MATERIAL		FINISH		-	
-		finish_spec_2		CUSTOMER DRAWING	

THIS DRAWING IS UNPUBLISHED. RELEASED FOR PUBLICATION  
 © COPYRIGHT copyright.d8te- ALL RIGHTS RESERVED.

REVISIONS				
P	LTR	DESCRIPTION	DATE	APVD
-		SEE SHEET 1	-	-



SECTION C-C  
 SCALE 60:1

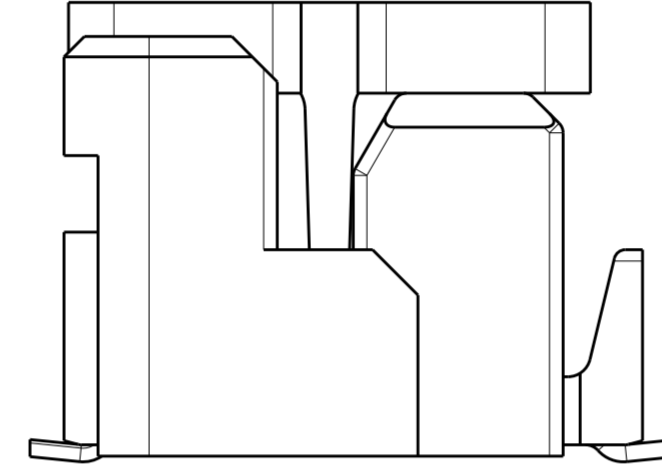
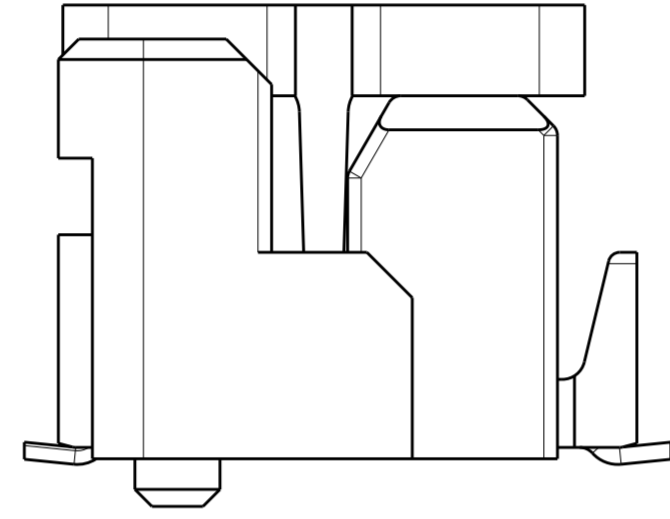
THIS DRAWING IS A CONTROLLED DOCUMENT.		DWN B.J	18MAY2017	TE Connectivity	
		CHK A.S	18MAY2017		
		APVD S.Y	18MAY2017		
		PRODUCT SPEC			
DIMENSIONS:				NAME 0.5MM FPH BTB CONN. 30POS 4MM MATING HEIGHT	
mm				-	
TOLERANCES UNLESS OTHERWISE SPECIFIED:				SIZE A2	
0 PLC	±			CAGE CODE	
1 PLC	±0.2			DRAWING NO	
2 PLC	±0.08			C-2291283	
3 PLC	±			RESTRICTED TO	
4 PLC	±			-	
ANGLES	±			SCALE 10:1	
FINISH	±			SHEET 2 OF 5	
MATERIAL	-			REV A	
	finish_spec_2	CUSTOMER DRAWING			

THIS DRAWING IS UNPUBLISHED. RELEASED FOR PUBLICATION  
 © COPYRIGHT copyright.d8te- ALL RIGHTS RESERVED.

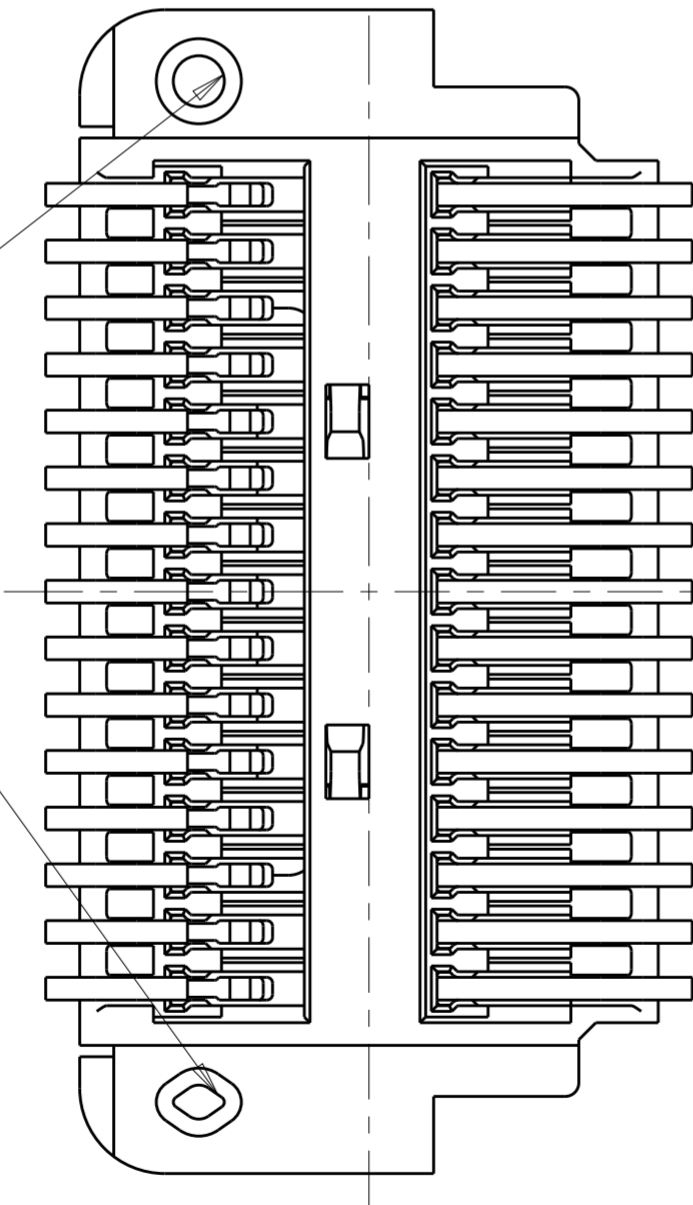
REVISIONS				
P	LTR	DESCRIPTION	DATE	APVD
-		SEE SHEET 1	-	-

2291283-1 WITH CAP  
(WITH BOSS VERSION)

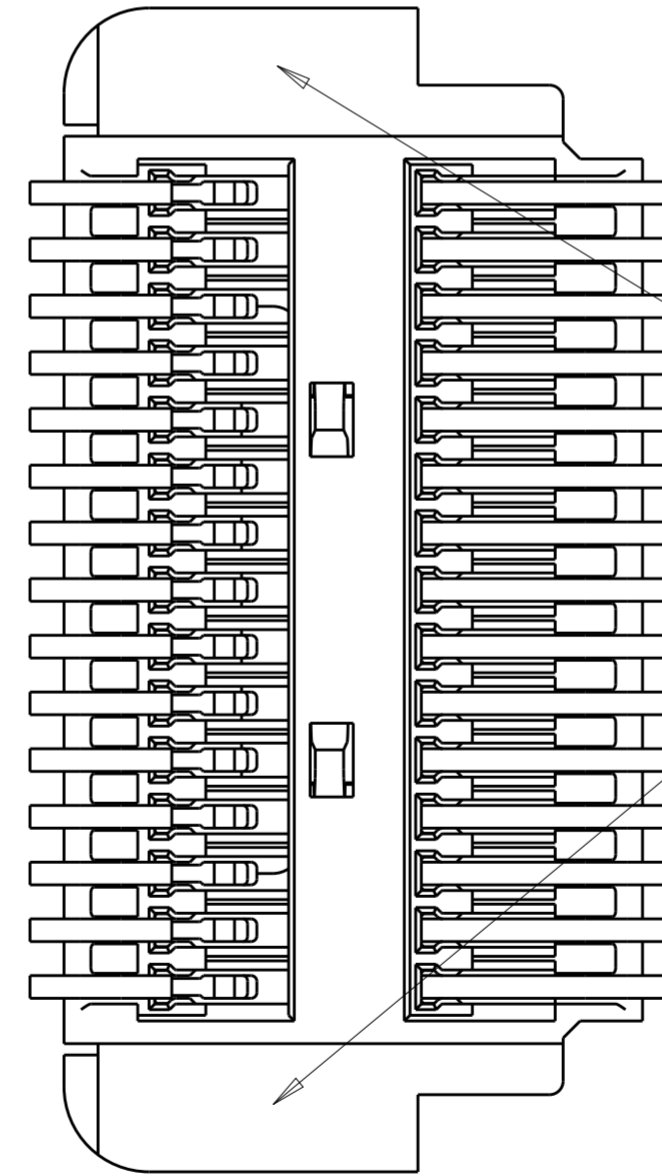
2291283-2 WITH CAP  
(WITHOUT BOSS VERSION)




WITH POST



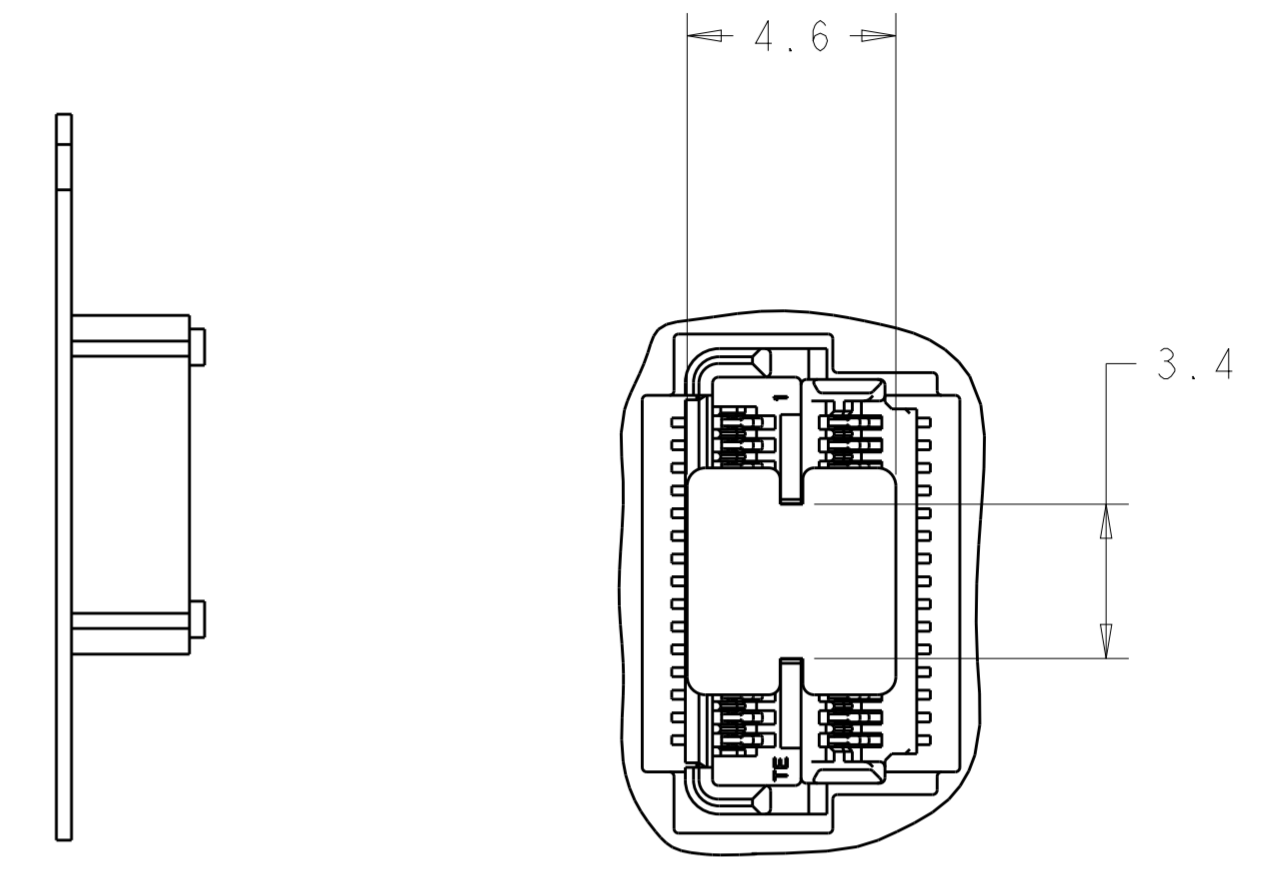
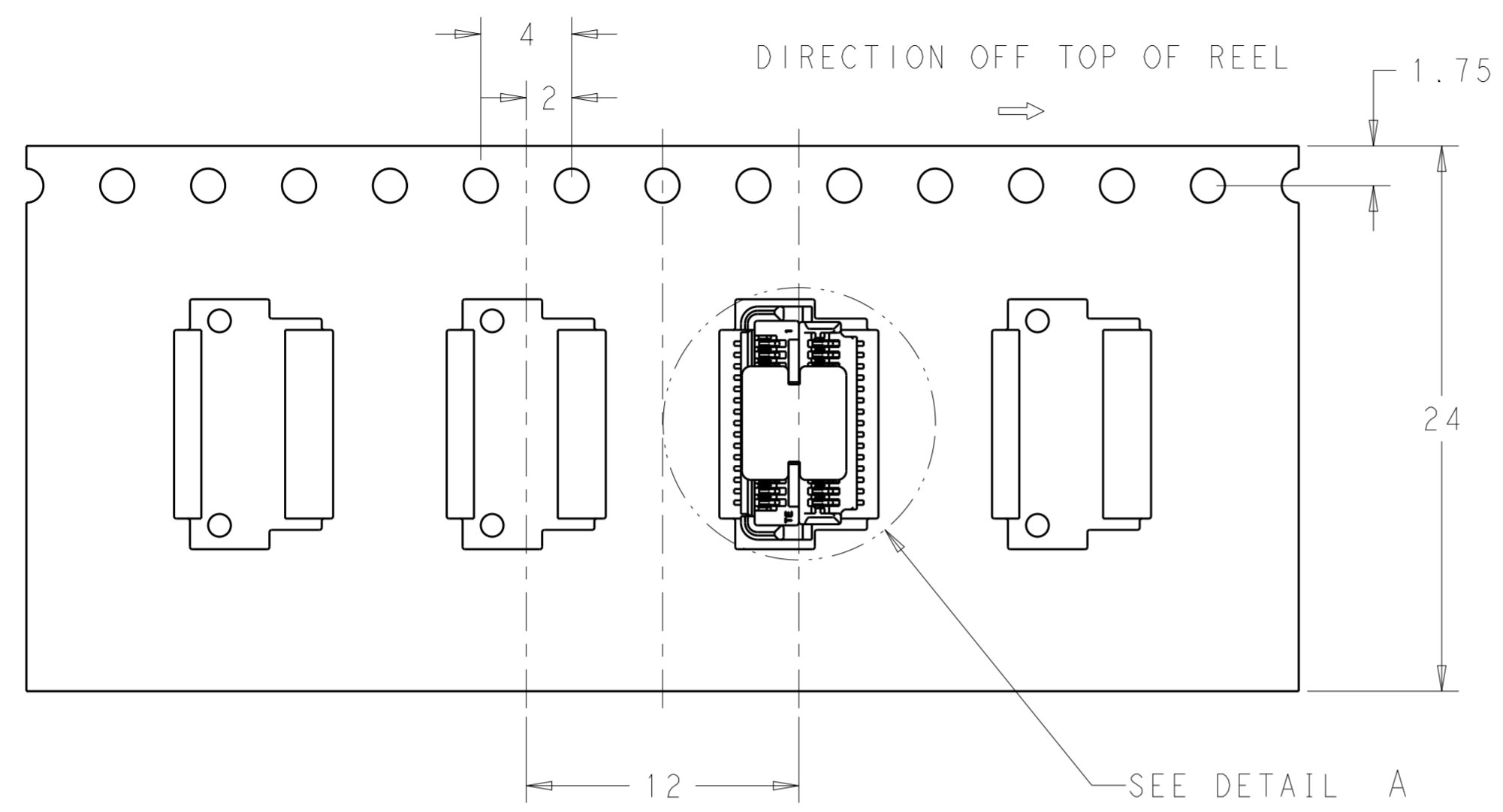
WITHOUT POST



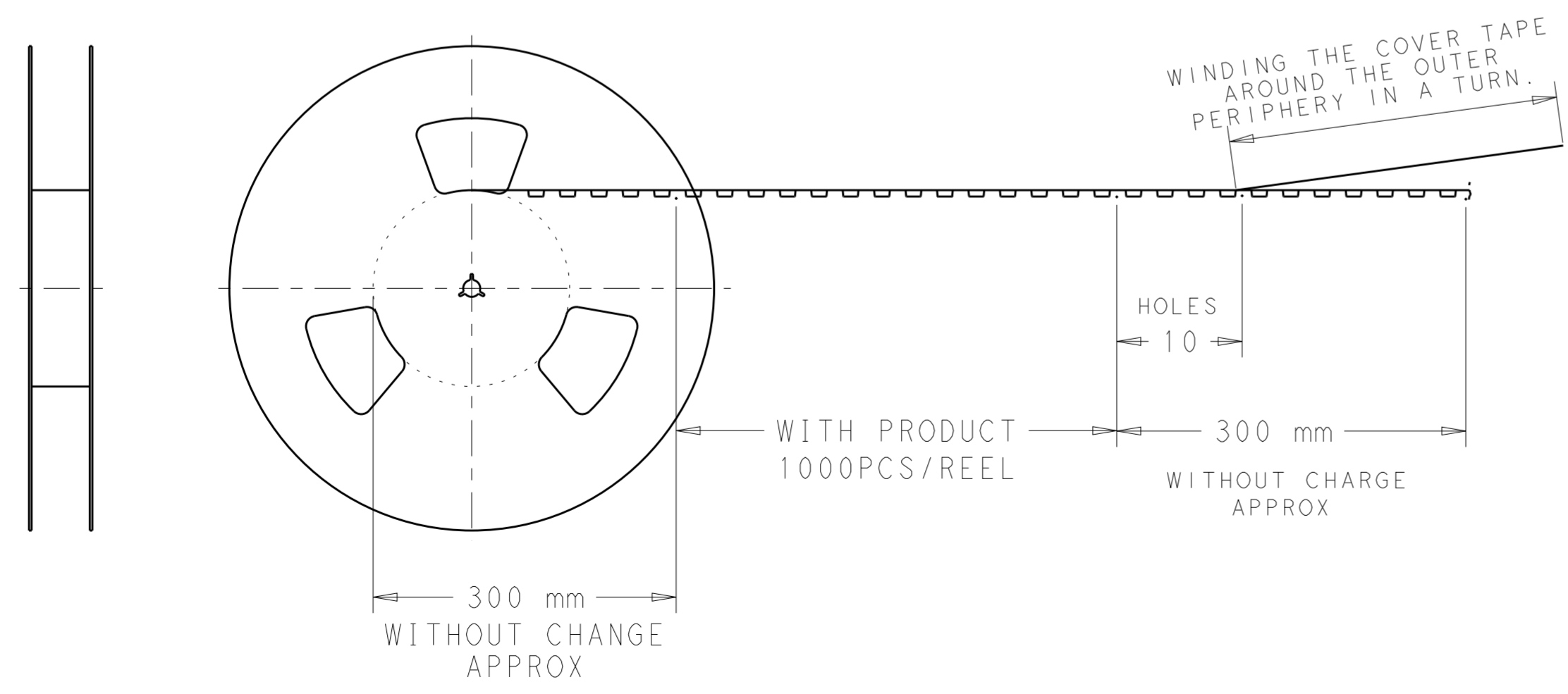
THIS DRAWING IS A CONTROLLED DOCUMENT.		DWN B. J	18MAY2017	 TE Connectivity
		CHK A. S	18MAY2017	
		APVD S. Y	18MAY2017	
		PRODUCT SPEC		
DIMENSIONS: mm		TOLERANCES UNLESS OTHERWISE SPECIFIED: 0 PLC ± 1 PLC ±0.2 2 PLC ±0.08 3 PLC ± 4 PLC ± ANGLES ±1° FINISH		NAME 0.5MM FPH BTB CONN. 30POS 4MM MATING HEIGHT
MATERIAL - -		finish_spec_2		APPLICATION SPEC - WEIGHT - SCALE 10:1 SHEET 3 OF 5 REV A
		CUSTOMER DRAWING		SIZE A2 CAGE CODE DRAWING NO. C-2291283 RESTRICTED TO

THIS DRAWING IS UNPUBLISHED. RELEASED FOR PUBLICATION  
COPYRIGHT copyright dbte. ALL RIGHTS RESERVED.

REVISIONS					
P	LTR	DESCRIPTION	DATE	DWN	APVD
-		SEE SHEET 1	-	-	-



DETAIL A  
SCALE 6:1

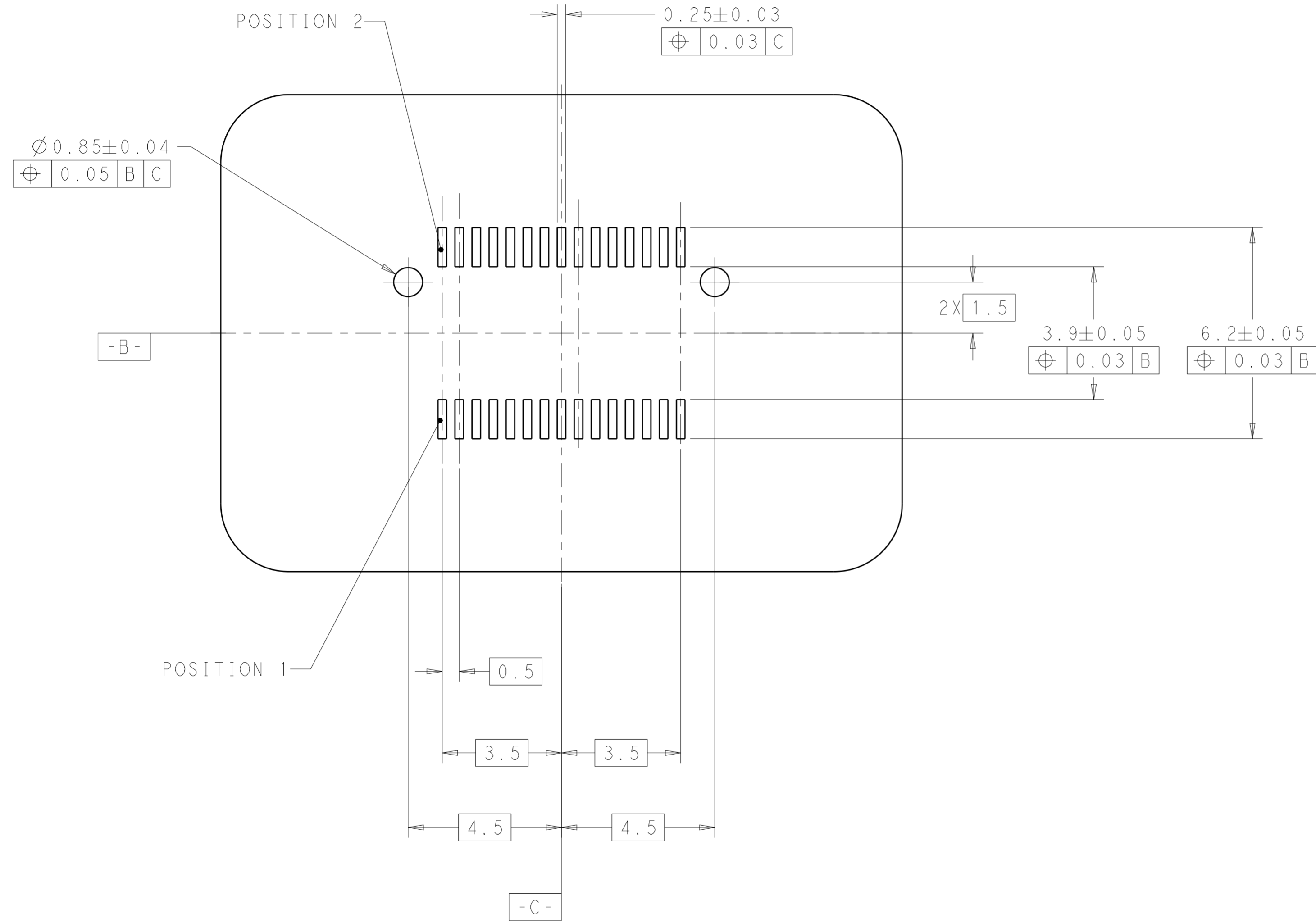


NATURAL	BLACK	WITHOUT	$\triangle$	1100	30	2291283-2
NATURAL	BLACK	WITH	$\triangle$	1100	30	2291283-1
CAP COLOR	HSG COLOR	LOCATION POST	FINISH	QTY/R	POS	P/N

THIS DRAWING IS A CONTROLLED DOCUMENT.		DWN B.J 18MAY2017	<b>STE</b> TE Connectivity
		CHK A.S 18MAY2017	
		APVD S.Y 18MAY2017	
DIMENSIONS: mm		TOLERANCES UNLESS OTHERWISE SPECIFIED:	
		0 PLC ± 1 PLC ±0.2 2 PLC ±0.08 3 PLC ± 4 PLC ± ANGLES ± FINISH ±	
MATERIAL		PRODUCT SPEC	
		APPLICATION SPEC	
		WEIGHT	
		NAME 0.5MM FPH BTB CONN 30POS 4MM MATING HEIGHT	
		SIZE A2	RESTRICTED TO
		CAGE CODE C-2291283	
		DRAWING NO CUSTOMER DRAWING	
		SCALE 10:1	
		SHEET 4 OF 5	
		REV A	

THIS DRAWING IS UNPUBLISHED. RELEASED FOR PUBLICATION  
 © COPYRIGHT copyright.dBTe- ALL RIGHTS RESERVED.

REVISIONS				
P	LTR	DESCRIPTION	DATE	APVD
-		SEE SHEET 1	-	-



RECOMMENDED FOOTPRINT

THIS DRAWING IS A CONTROLLED DOCUMENT.		DWN B.J.	18MAY2017	TE Connectivity	
		CHK A.S.	18MAY2017		
		APVD S.Y.	18MAY2017		
		PRODUCT SPEC			
DIMENSIONS:		TOLERANCES UNLESS OTHERWISE SPECIFIED:		NAME	
mm		0 PLC ± 1 PLC ±0.2 2 PLC ±0.08 3 PLC ± 4 PLC ± ANGLES ± FINISH ±		0.5MM FPH BTB CONN 30POS 4MM MATING HEIGHT	
MATERIAL		finish_spec_2		SIZE	
		CUSTOMER DRAWING		A2	
		SCALE 10:1		DRAWING NO	
		SHEET 5 OF 5		C-2291283	
		REV A		RESTRICTED TO	

## X-ON Electronics

Largest Supplier of Electrical and Electronic Components

*Click to view similar products for [Board to Board & Mezzanine Connectors](#) category:*

*Click to view products by [TE Connectivity](#) manufacturer:*

Other Similar products are found below :

[589158040000018](#) [MDF7C-18P-2.54DSA\(55\)](#) [FCN-230C068-11](#) [FCN-268F012-G/BD](#) [FCN-268F036-G/BD](#) [FCN-268M012-G/0D](#) [FCN-268M024-G/1D](#) [FCN-723J004/1](#) [MIS-048-01-F-D-DP-K](#) [832-10-034-10-001000](#) [FX4C-80S-1.27DSA](#) [FCN-214Q030-G/0](#) [FCN-234P048-G/0](#) [FCN-235D050-G/C](#) [210-93-314-41-105000](#) [2-22603-0](#) [MDF7-40DP-2.54DSA\(55\)](#) [AXG720047](#) [5031084030](#) [MIT-114-03-F-D-K](#) [55323-1519](#) [DF33-2P-3.3DSA\(24\)](#) [YFT-20-05-H-03-SB-K](#) [503308-3040](#) [026-6203-PDB](#) [027-6203-PDB](#) [069159702701000](#) [10123981-102LF](#) [101A10019X](#) [55650-0588-C](#) [68682-310LF](#) [68684-306](#) [75140-7012](#) [87471-650](#) [194261-1](#) [FCN-268F024-G0D](#) [10124054-515LF](#) [68685-603](#) [8-1616154-3](#) [MIS-019-01-F-D](#) [FCN-268M024-G/3D](#) [20021832-06016C1LF](#) [KX15-20KLDL-E1000E](#) [MDF7-16DP-2.54DSA\(55\)](#) [AXE810124](#) [FCN-214J100-G/0](#) [FCN-230C068-E/S](#) [AXE812124](#) [AXE816124](#) [AXE720127](#)